



US00D432857S

United States Patent [19] Ming-Shiue

[11] Patent Number: **Des. 432,857**

[45] Date of Patent: **** Oct. 31, 2000**

[54] CONTAINER LID

[75] Inventor: **Shih Ming-Shiue**, Lexington, Mass.

[73] Assignee: **TLC International, Inc.**, Burlington, Mass.

[**] Term: **14 Years**

[21] Appl. No.: **29/107,754**

[22] Filed: **Jul. 13, 1999**

[51] LOC (7) Cl. **07-01**

[52] U.S. Cl. **D7/392.1**

[58] Field of Search D7/510, 511, 316, D7/317, 321, 322, 703, 629, 396.2, 397, 398, 392.1, 425-441; D9/523-525, 529, 434-454; 220/306, 307, 309.1, 307.1, 377, 780, 781, 793

[56] **References Cited**

U.S. PATENT DOCUMENTS

D. 315,308	3/1991	vanKerkhoven	D9/450
D. 383,939	9/1997	Jeppesen et al.	D7/392.1
D. 399,745	10/1998	Mascitelli	D9/434
D. 415,652	10/1999	Loew et al.	D7/392.1
1,124,523	1/1915	Resser	.	
3,100,589	8/1963	Love, Jr.	222/480

3,129,860	4/1964	Foster	222/512
3,170,606	2/1965	Boyer	222/394
3,463,364	8/1969	Rehag	222/480
3,467,287	9/1969	Marchant et al.	222/480
5,383,582	1/1995	Baxter et al.	222/548
5,421,472	6/1995	Beckertgis	220/253
5,460,286	10/1995	Rush et al.	220/306

Primary Examiner—Antoine Duval Davis
Attorney, Agent, or Firm—Dunlap, Coddling & Rogers, P.C.

[57] **CLAIM**

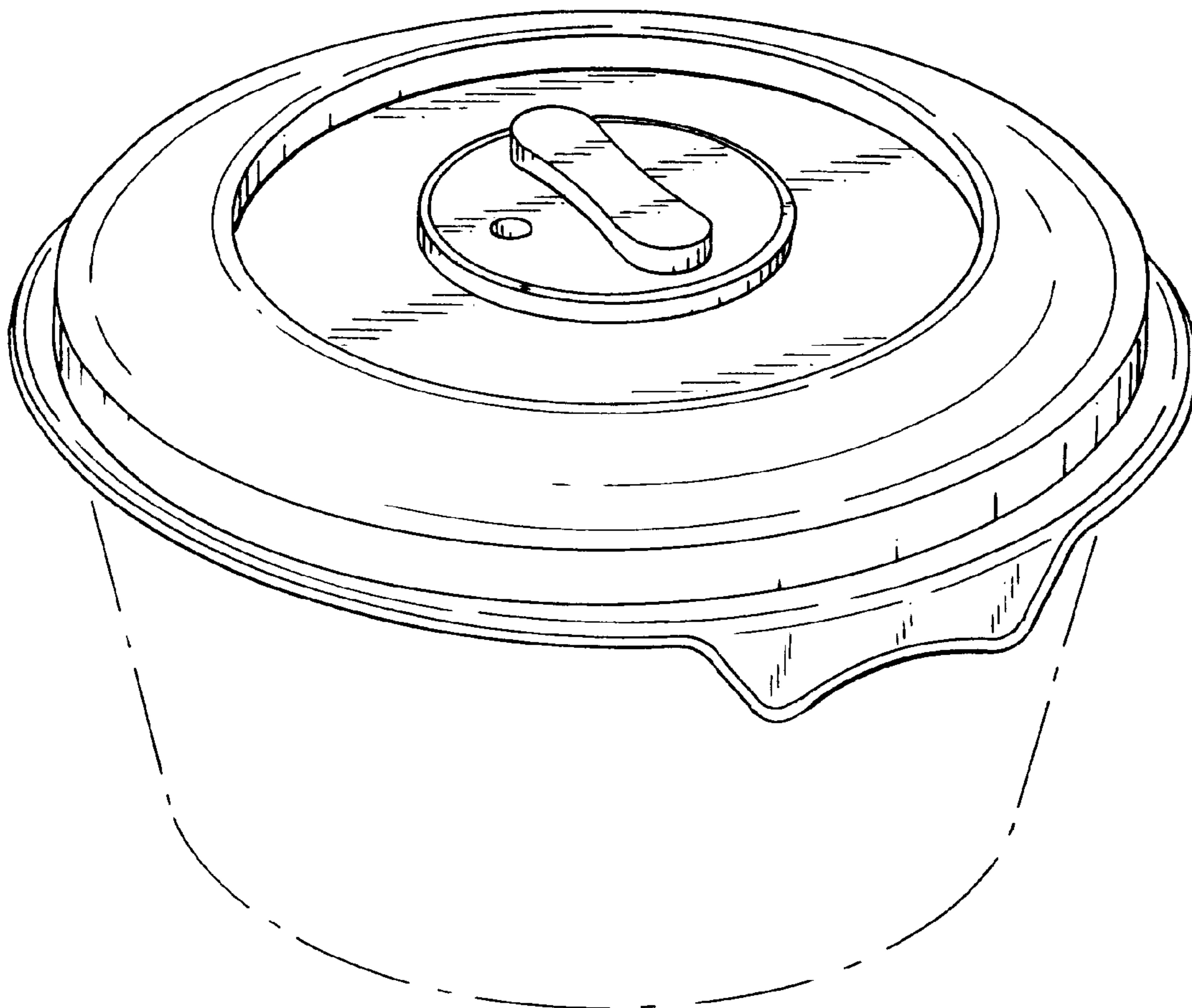
The ornamental design for a container lid, as shown and described.

DESCRIPTION

FIG. 1 is a perspective view of a container lid showing my new design on a container shown in phantom; FIG. 2 is a top plan view thereof; FIG. 3 is a front elevational view thereof; FIG. 4 is a rear elevational view thereof; FIG. 5 is a bottom plan view thereof; FIG. 6 is a side elevational view thereof; and, FIG. 7 is a side elevational view thereof opposite that shown in FIG. 6.

The broken line showing is for illustrative purposes only and forms no part of the claimed design.

1 Claim, 3 Drawing Sheets



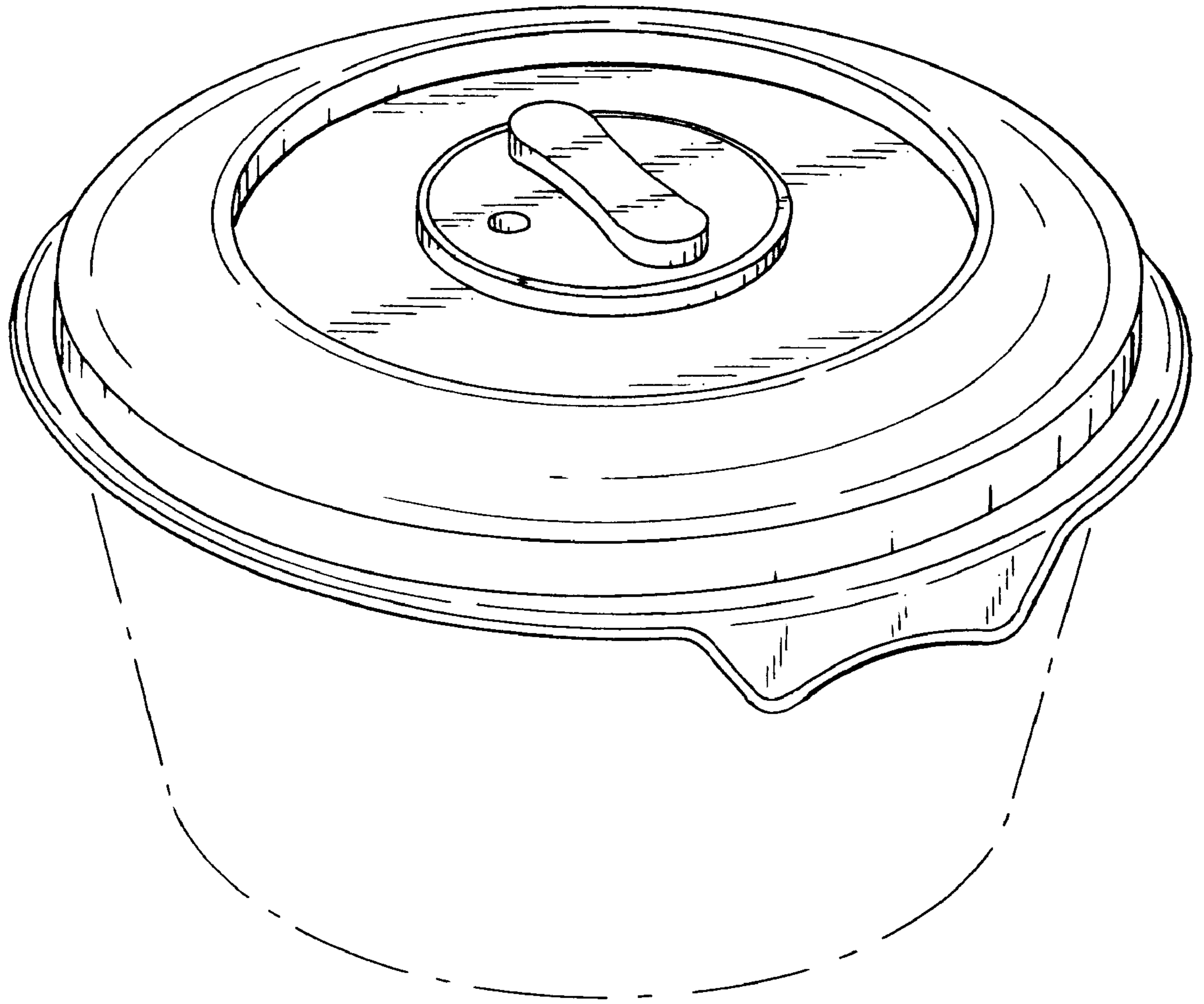


FIG. 1

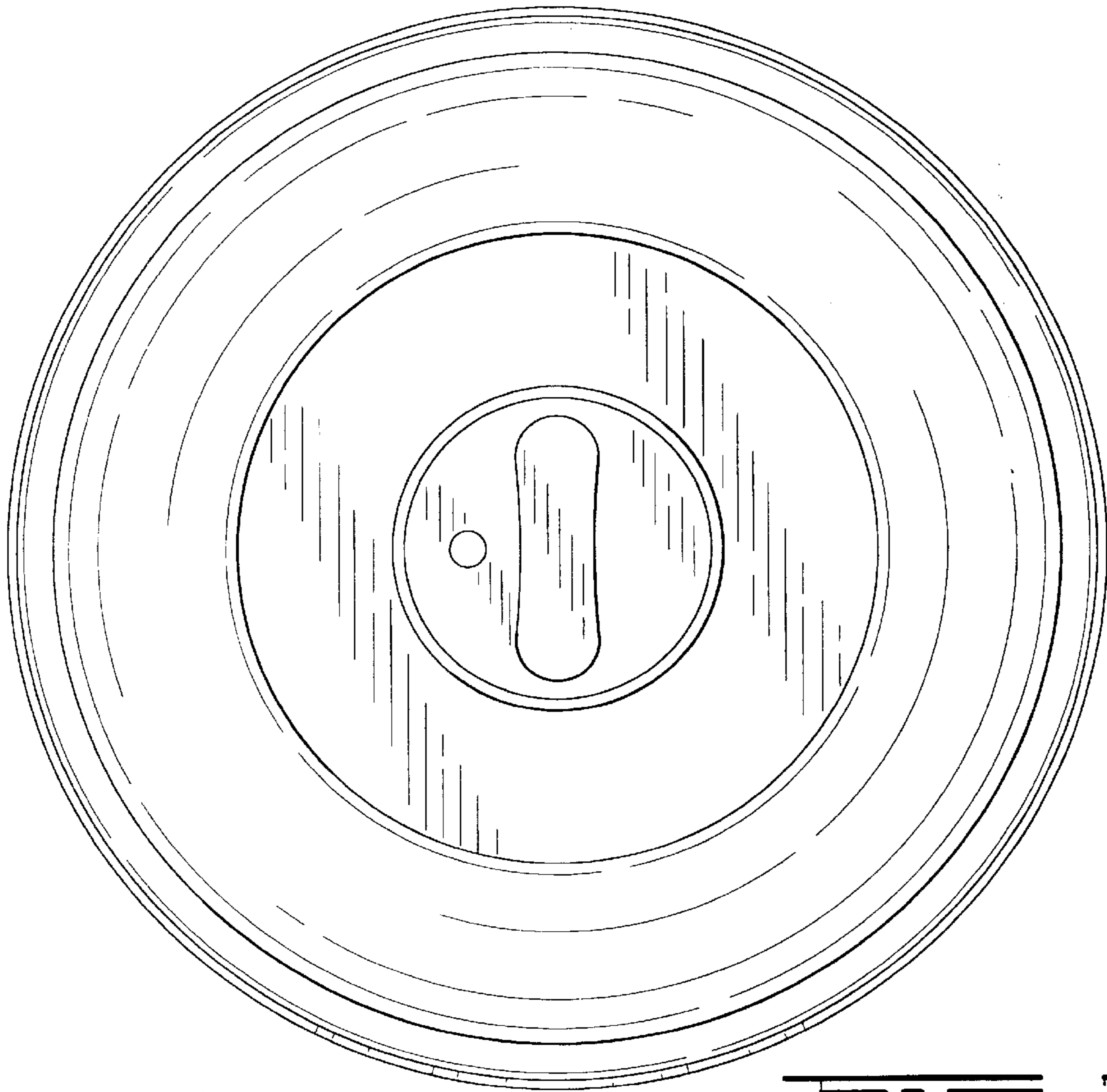


FIG. 1

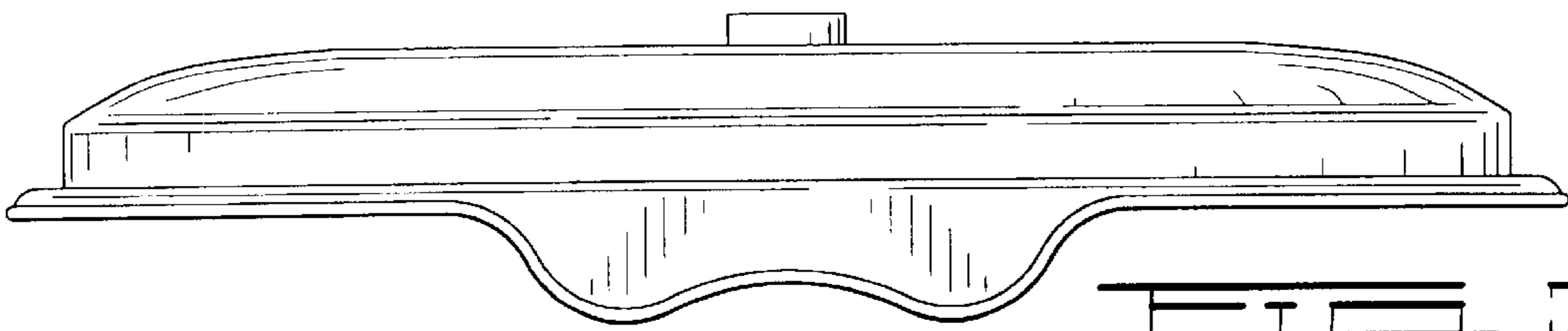


FIG. 2

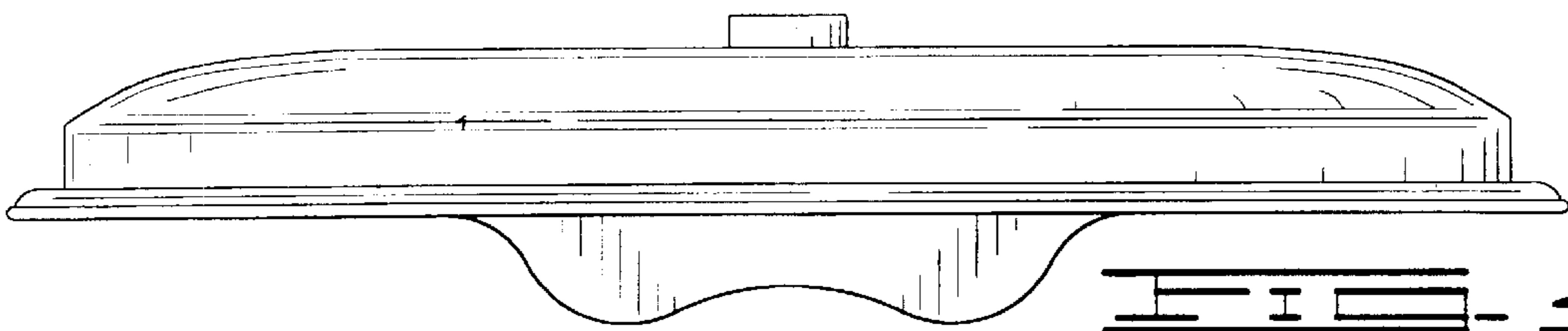


FIG. 3

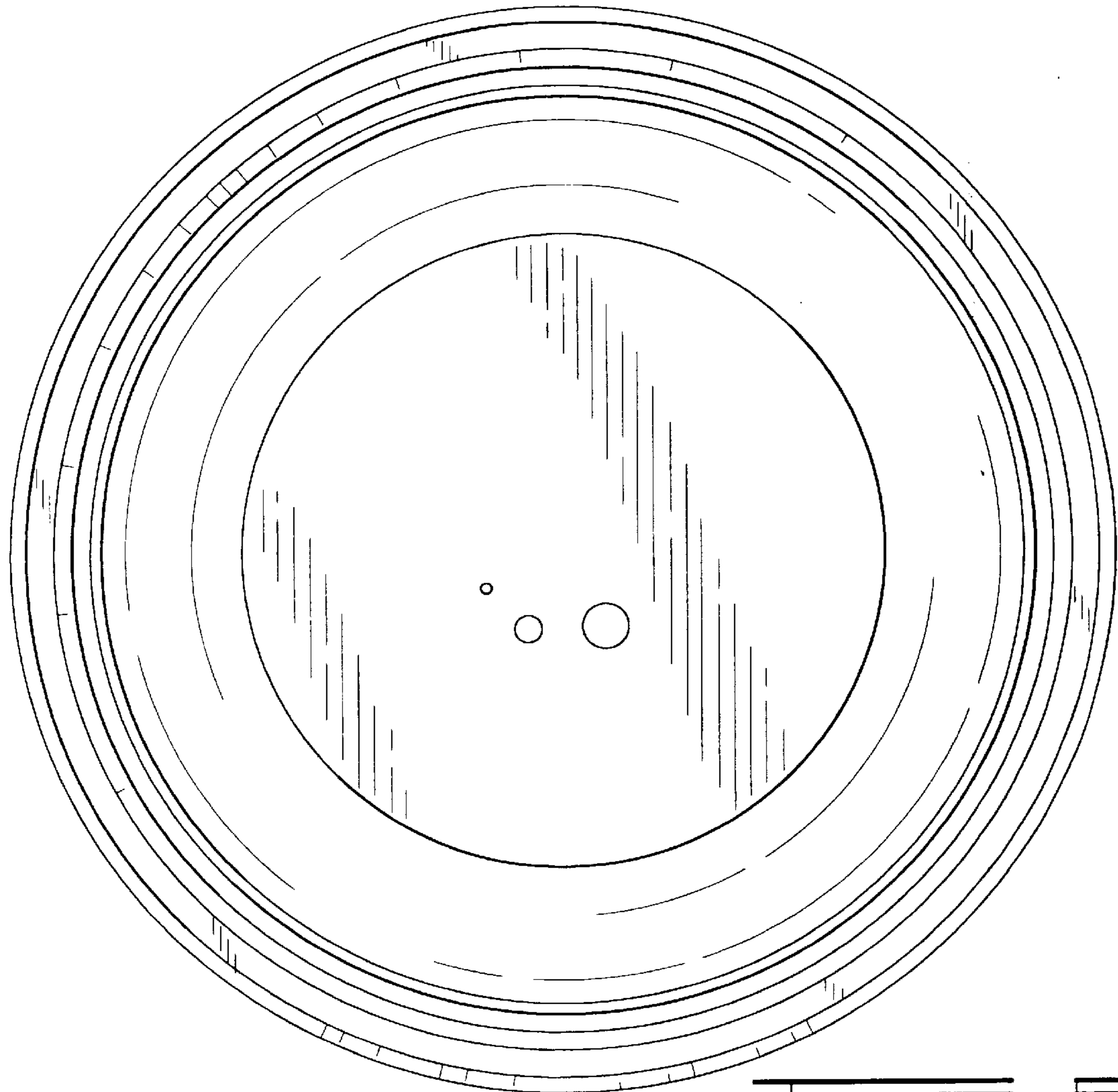


FIG. 1

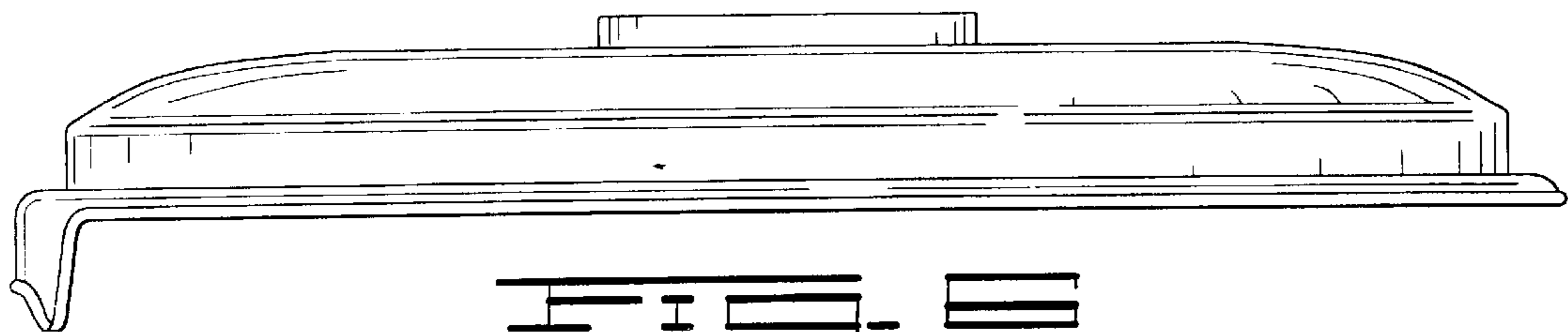


FIG. 2

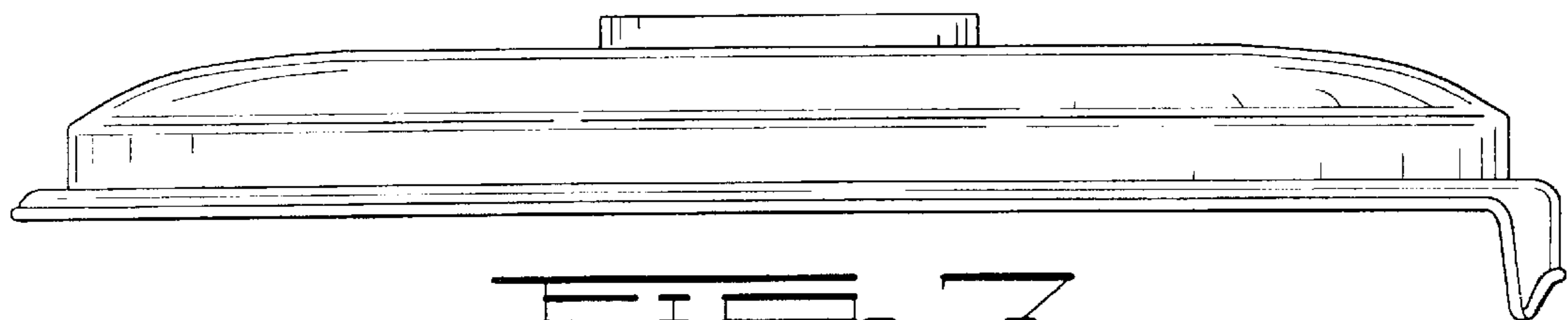


FIG. 3