



US00D432856S

United States Patent [19] Giacomel

[11] Patent Number: Des. 432,856

[45] Date of Patent: ** Oct. 31, 2000

[54] **FOOD PREPARATION AND STORAGE
DEVICE**

5,875,834 3/1999 Brooks 165/11.1
5,907,989 6/1999 Sie et al. 83/762

[76] Inventor: **Jeffrey A. Giacomel**, 1909 Chasewood
Cir., Suite 211, Arlington, Tex. 76011

[**] Term: **14 Years**

[21] Appl. No.: **29/111,109**

[22] Filed: **Sep. 20, 1999**

[51] **LOC (7) Cl.** **07-99**

[52] **U.S. Cl.** **D7/387; D7/213**

[58] **Field of Search** D7/387, 388, 391,
D7/504, 412, 414, 213, 354, 368, 669,
682, 381, 698, 673, 638; 83/762; 165/11.1,
185

[56] **References Cited**

U.S. PATENT DOCUMENTS

D. 259,010	4/1981	Klatt	D7/504
D. 282,137	1/1986	Williams et al.	D7/637
D. 378,979	4/1997	Clubb	D7/673
D. 408,692	4/1999	Tisdale	D7/638
D. 412,268	7/1999	Uemura	D7/673
1,808,617	6/1931	Thompson	165/185 X
1,817,978	8/1931	Feldmeier	165/74
2,100,080	11/1937	Lackinger	294/106
2,325,647	8/1943	Adamson	165/185 X
2,688,467	9/1954	Leatzow	165/185 X
2,835,480	7/1958	Perez	165/104.21
4,745,968	5/1988	Demos	165/185
4,785,875	11/1988	Meijer et al.	165/104.25
5,014,776	5/1991	Hess	165/185
5,129,451	7/1992	Moir et al.	165/185
5,461,867	10/1995	Scudder et al.	62/4
5,787,976	8/1998	Hamburgen et al.	165/185

FOREIGN PATENT DOCUMENTS

445 563	11/1912	France .
1 586 050	2/1970	France .
2 575 814	7/1986	France .
2 027 527	12/1970	Germany .
32 14 886	10/1983	Germany .
8-322530	10/1996	Japan .
WO 90/14771	12/1990	Russian Federation .
WO 99/10691	3/1999	WIPO .

OTHER PUBLICATIONS

Patent Abstracts of Japan: vol. 097, No. 004, Apr. 30, 1997
JP 08 322530 A (Hoshizaki Electric Co Ltd) Dec. 10, 1996.
All QA Products, Inc. catalog, Gainesville, FL., p. 11.

Primary Examiner—M. N. Pandozzi
Attorney, Agent, or Firm—Sidley & Austin

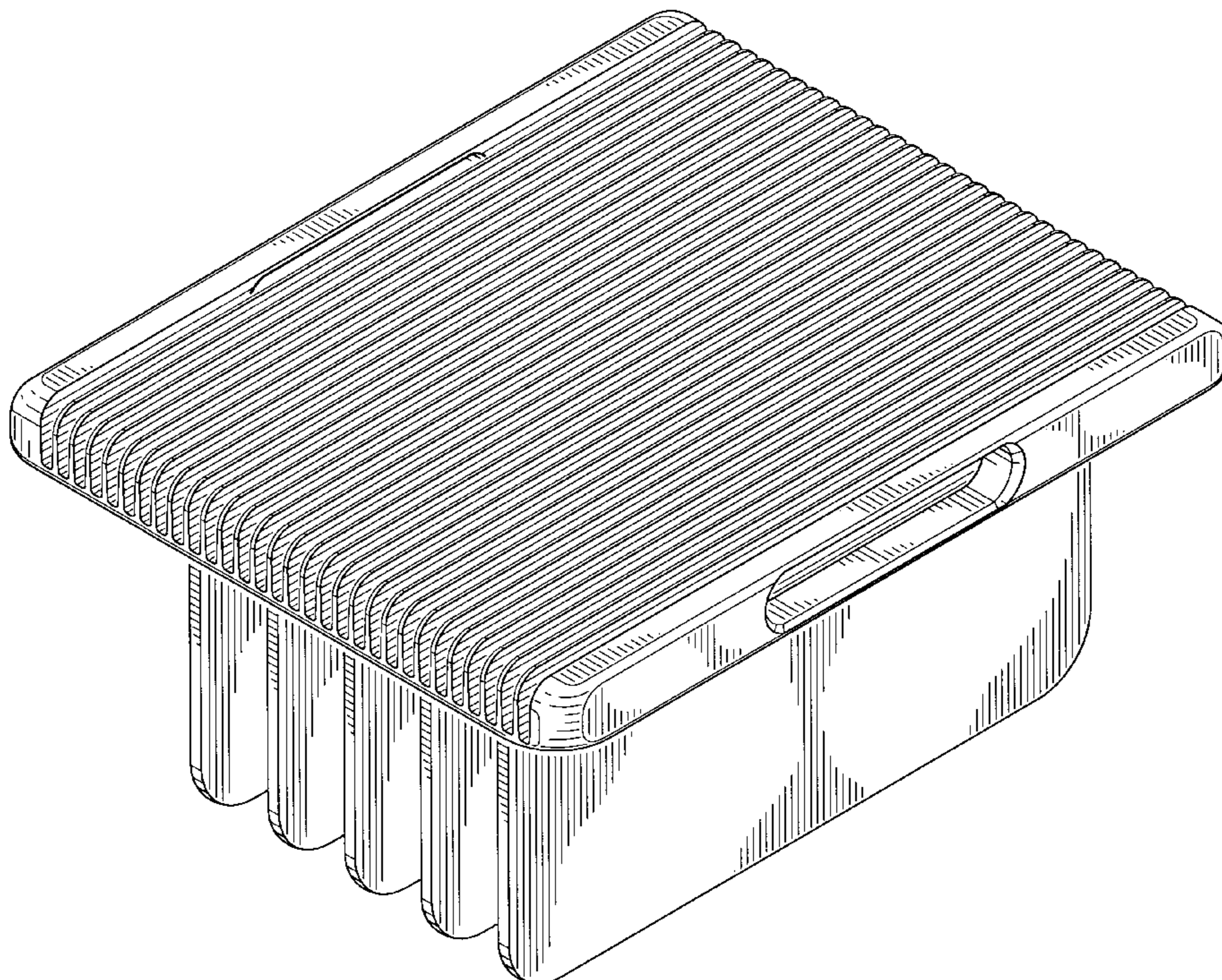
[57] **CLAIM**

The ornamental design for a food preparation and storage device, as shown and described.

DESCRIPTION

FIG. 1 is a perspective view of a food preparation and storage device embodying my design;
FIG. 2 is a left side view thereof, the right side view being identical;
FIG. 3 is a front view thereof, the back view being identical;
FIG. 4 is a top view thereof;
FIG. 5 is a bottom view thereof; and,
FIG. 6 is a detail view of the fins.

1 Claim, 3 Drawing Sheets



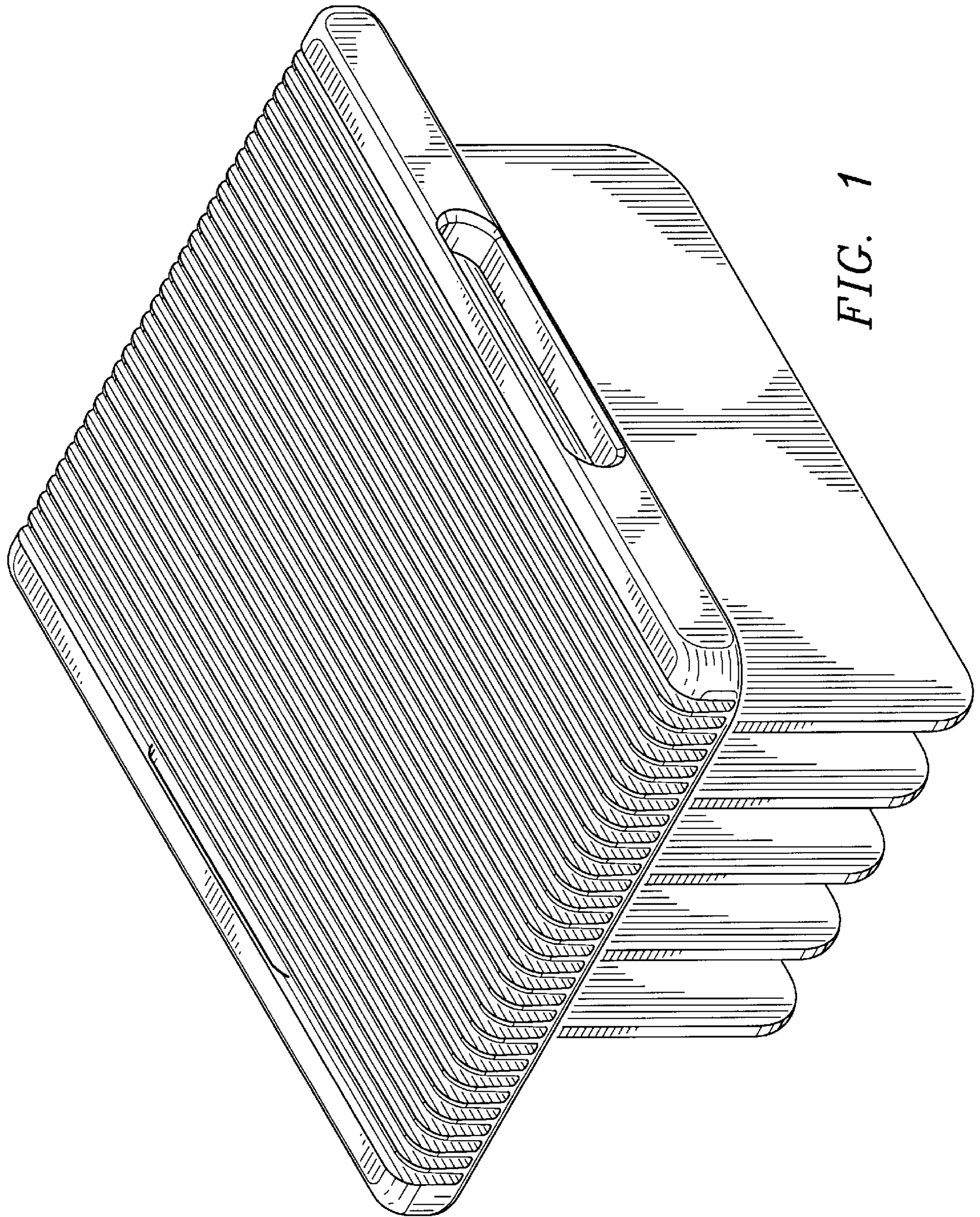


FIG. 1

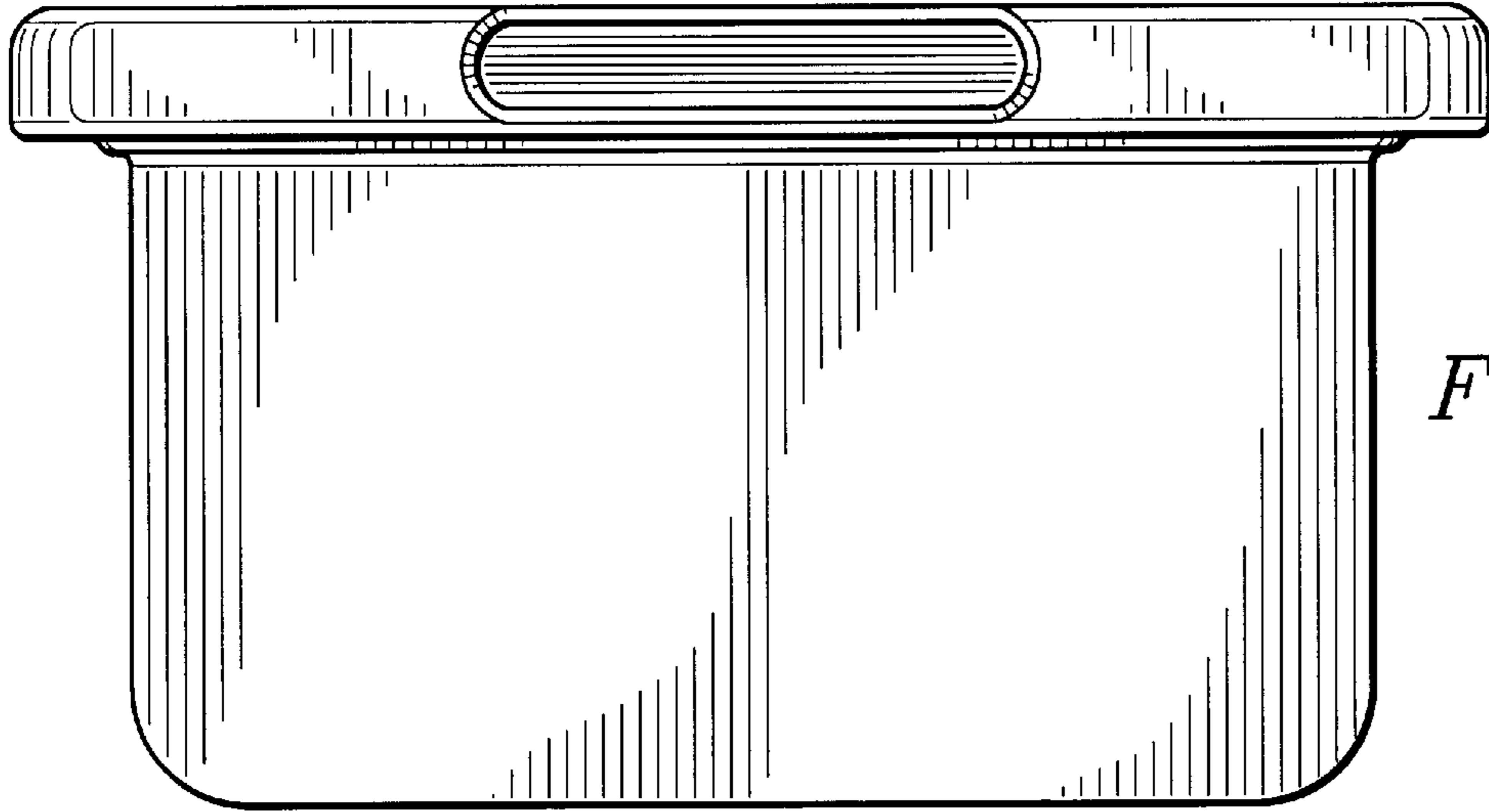


FIG. 2

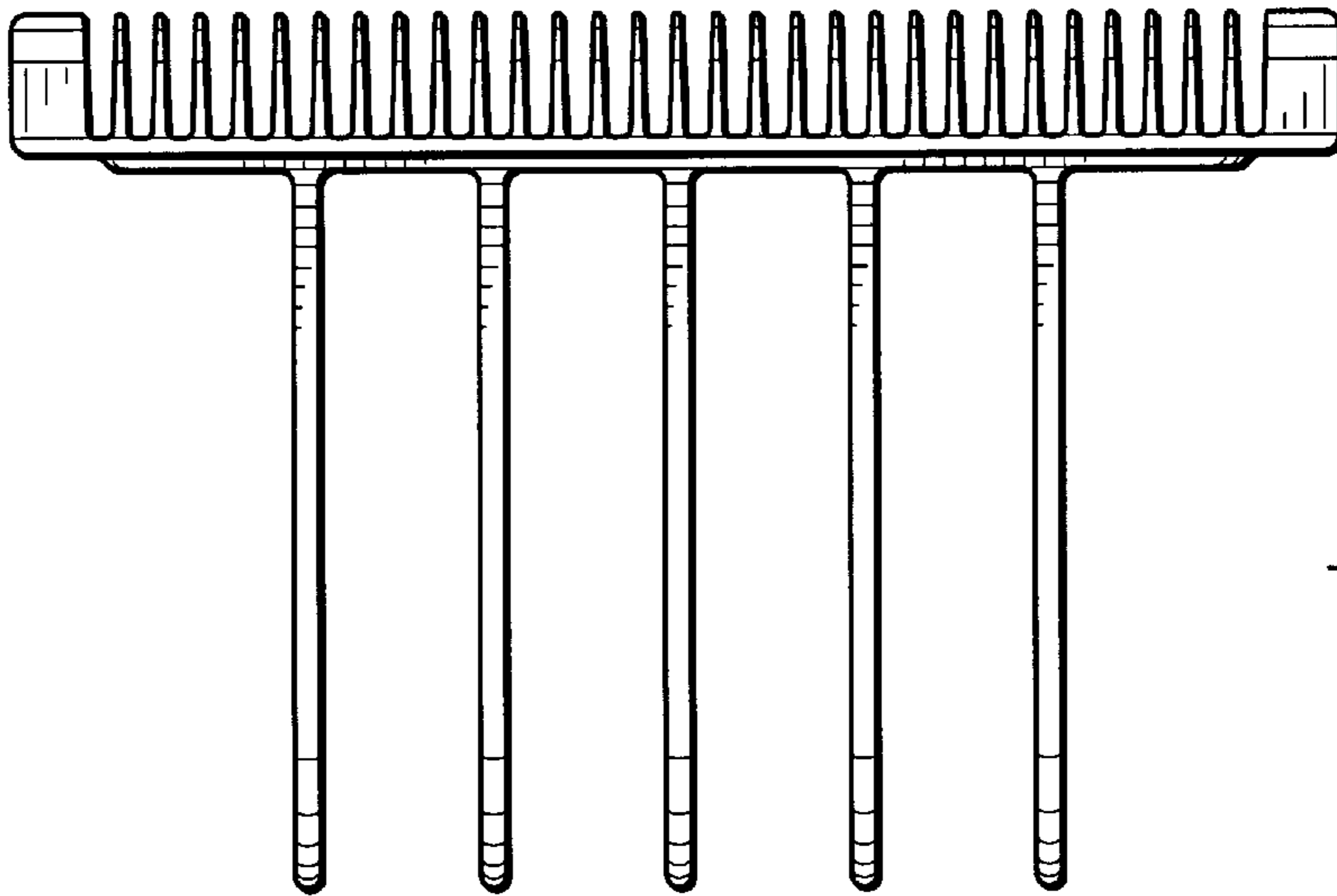


FIG. 3

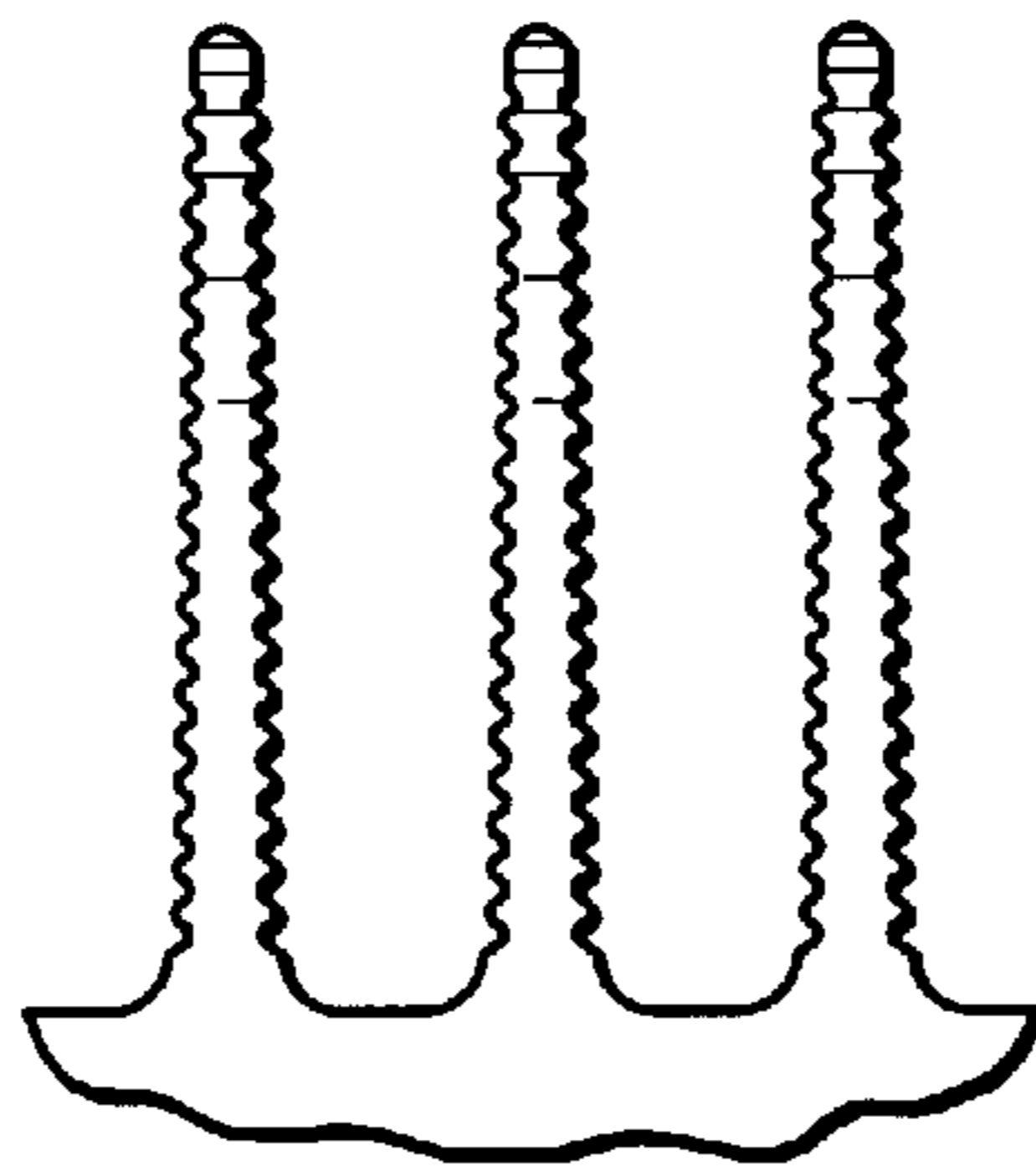


FIG. 6

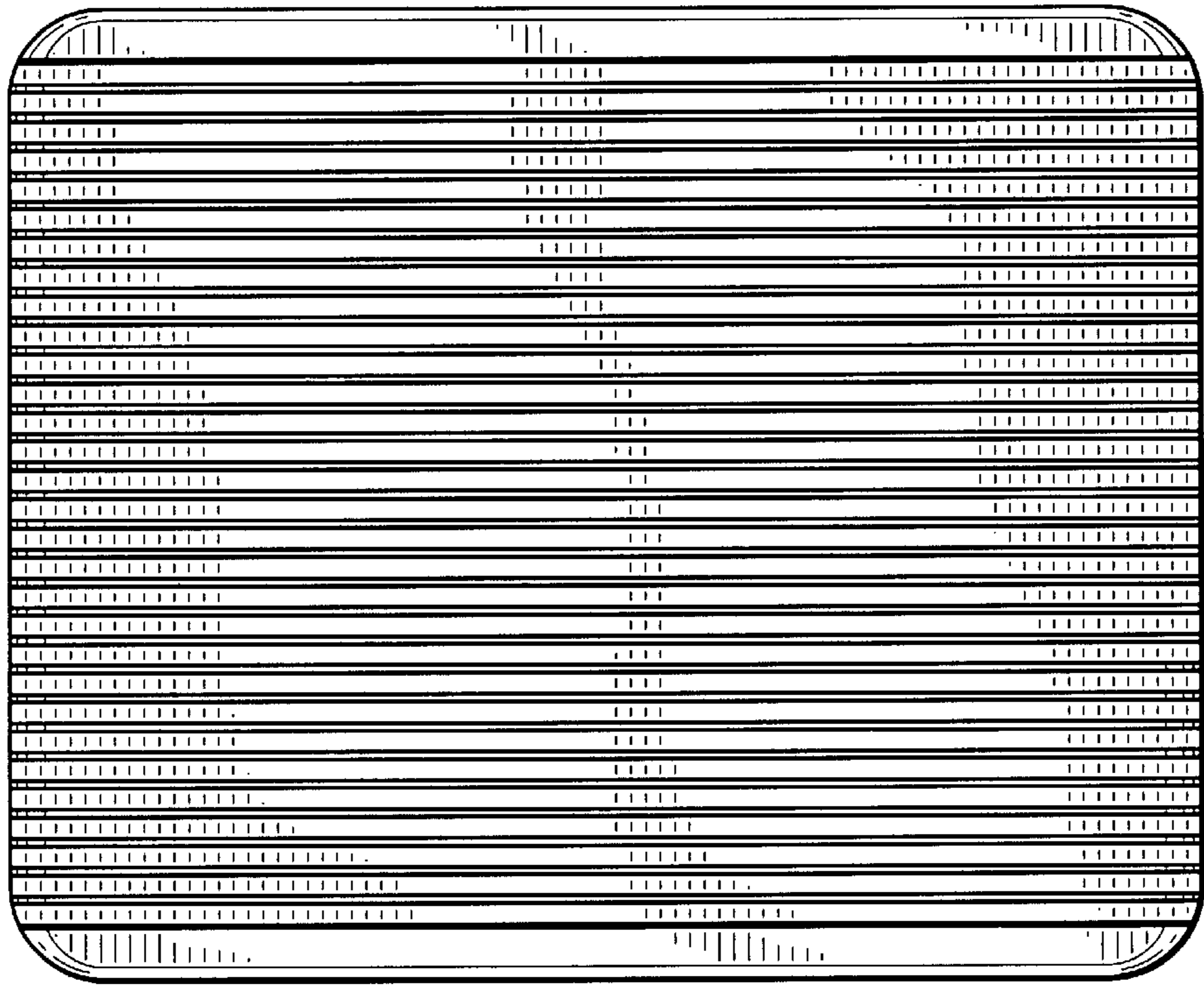


FIG. 4

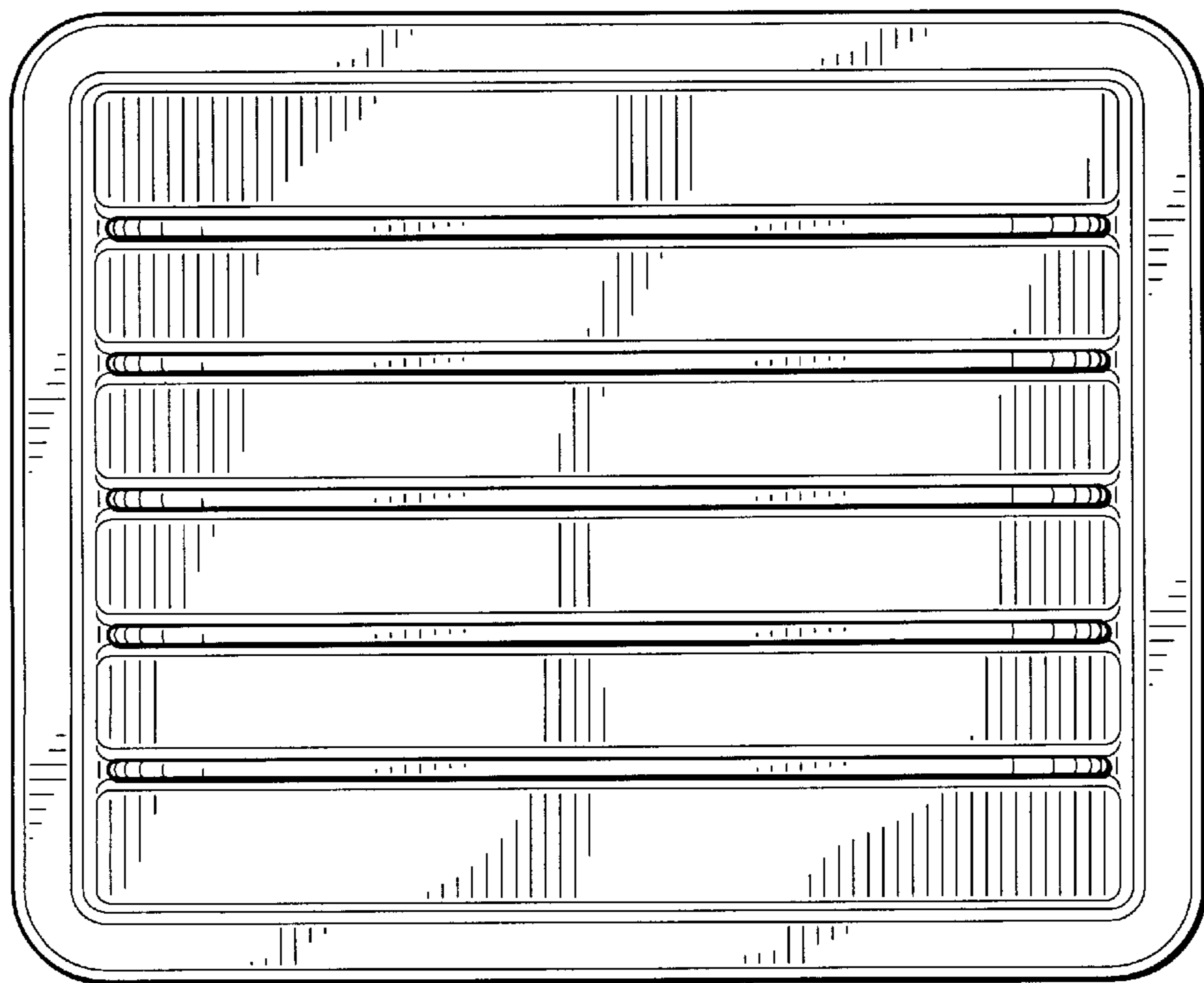


FIG. 5