



US00D432855S

**United States Patent** [19]  
**Cho et al.**

[11] **Patent Number: Des. 432,855**  
[45] **Date of Patent: \*\* Oct. 31, 2000**

[54] **PARTIALLY RIBBED COOKING GRILL**

[75] Inventors: **Jong-young Cho**, Inchon, Rep. of Korea;  
**Lewis W. Mendelson**, Overland Park,  
Kans.

[73] Assignee: **Kinetic Group, L.L.C.**, Overland Park,  
Kans.

[\*\*] Term: **14 Years**

[21] Appl. No.: **29/099,263**

[22] Filed: **Jan. 19, 1999**

[51] **LOC (7) Cl.** ..... **07-02**

[52] **U.S. Cl.** ..... **D7/363**

[58] **Field of Search** ..... D7/362-367, 402;  
99/422, 425, 445-446, 450; 219/429, 432,  
433, 443.1, 450.1, 451.1

[56] **References Cited**

**U.S. PATENT DOCUMENTS**

D. 286,494	11/1986	Lastuck	.....	D7/363
D. 321,810	11/1991	Schultz	.....	D7/363
D. 336,009	6/1993	Tringali et al.	.....	D7/367
D. 351,083	10/1994	O'Brien et al.	.....	D7/363
D. 394,584	5/1998	Weber	.....	D7/363

3,398,264	8/1968	Katzman et al.	.....	219/450.1
5,504,295	4/1996	Collas et al.	.....	219/443
5,524,528	6/1996	Yeh	.....	99/446
5,884,555	3/1999	Chang	.....	99/425

*Primary Examiner*—Ruth McInroy  
*Attorney, Agent, or Firm*—Shughart Thomson & Kilroy P.C.

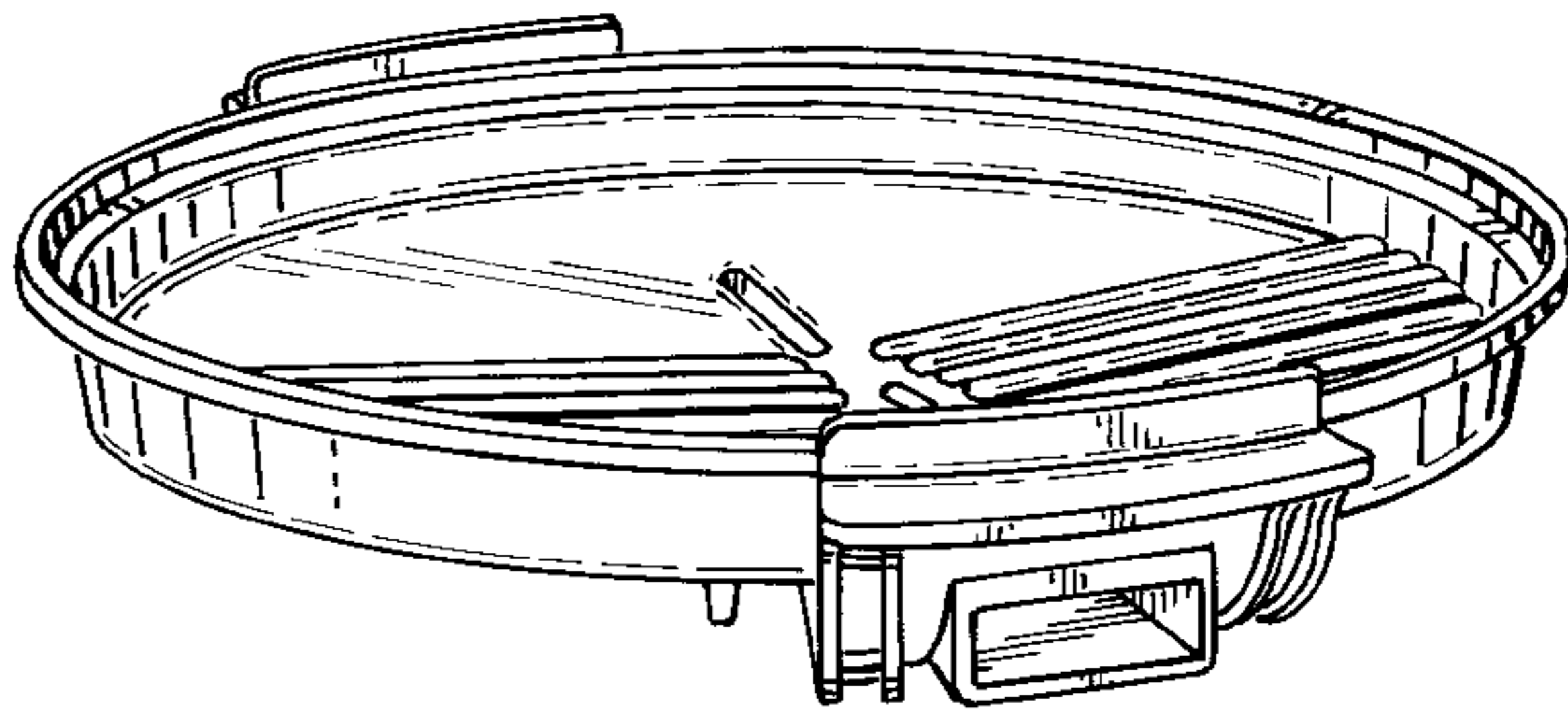
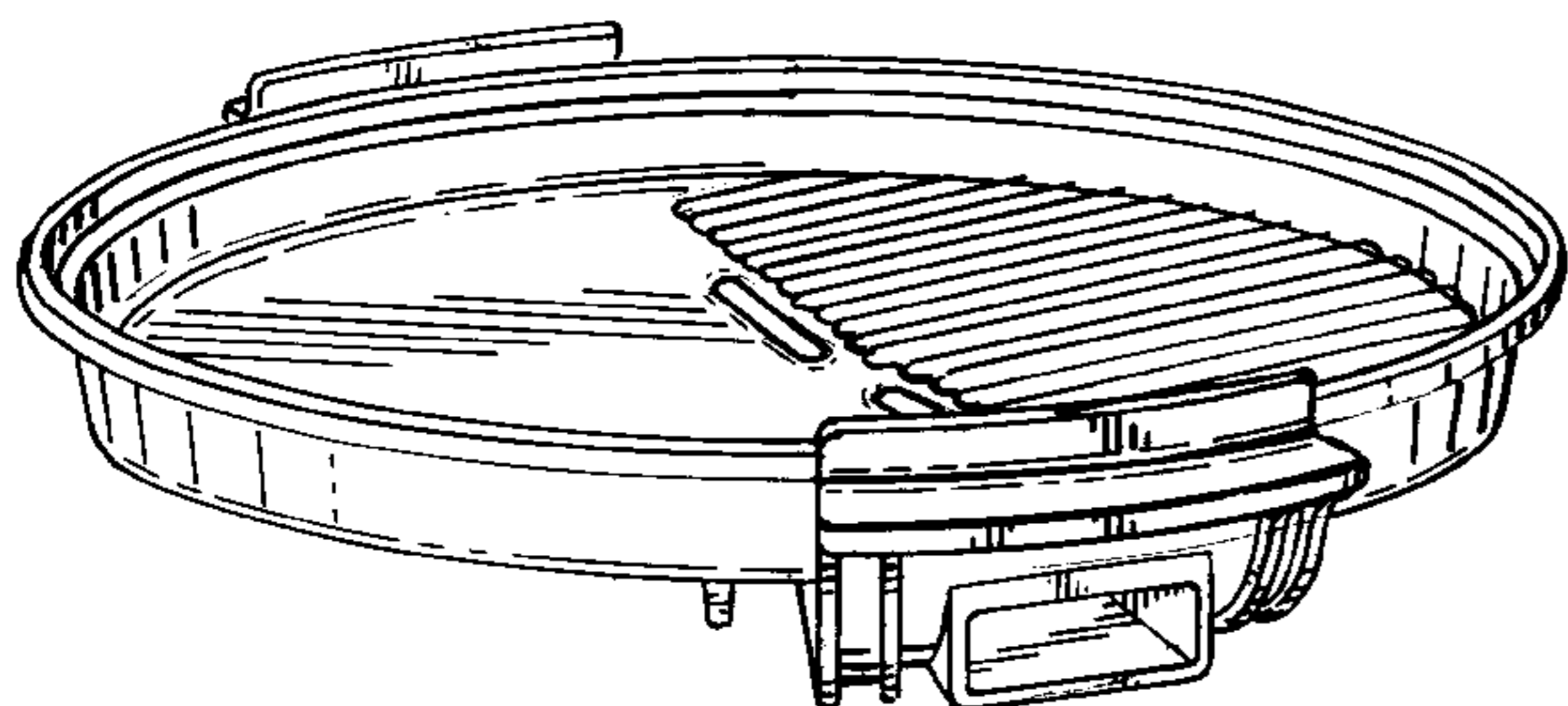
[57] **CLAIM**

The ornamental design for a partially ribbed cooking grill, as shown and described.

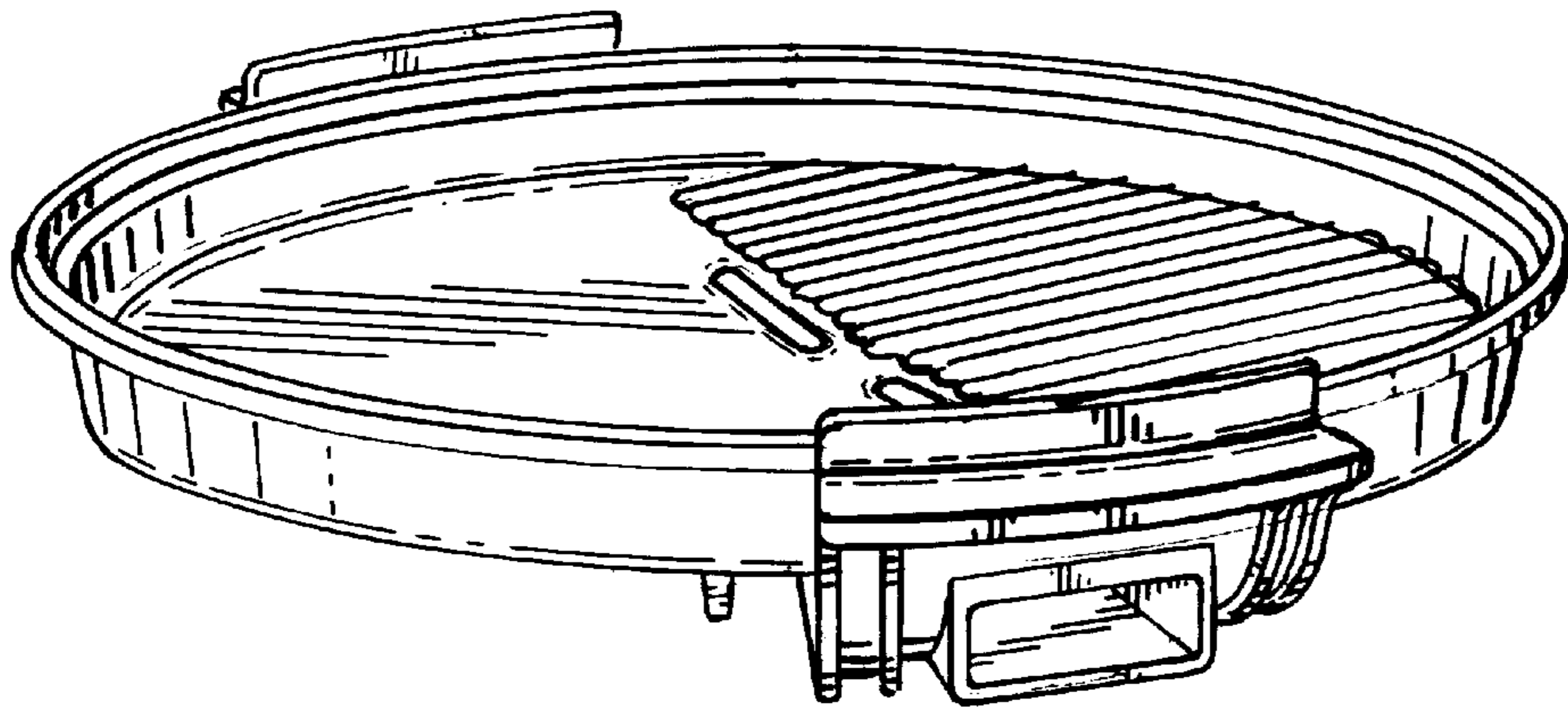
**DESCRIPTION**

FIG. 1 is a perspective view of a partially ribbed cooking grill showing our new design;  
FIG. 2 is a top plan view thereof;  
FIG. 3 is a perspective view of a second embodiment thereof;  
FIG. 4 is a top plan view of FIG. 3;  
FIG. 5 is a front elevational view of FIG. 3;  
FIG. 6 is a bottom plan view of FIG. 3;  
FIG. 7 is a right side elevational view of FIG. 3; and,  
FIG. 8 is a left side elevational view of FIG. 3.  
The missing front, bottom, right and left side views of the first embodiment are the same as shown in FIGS. 5-8.

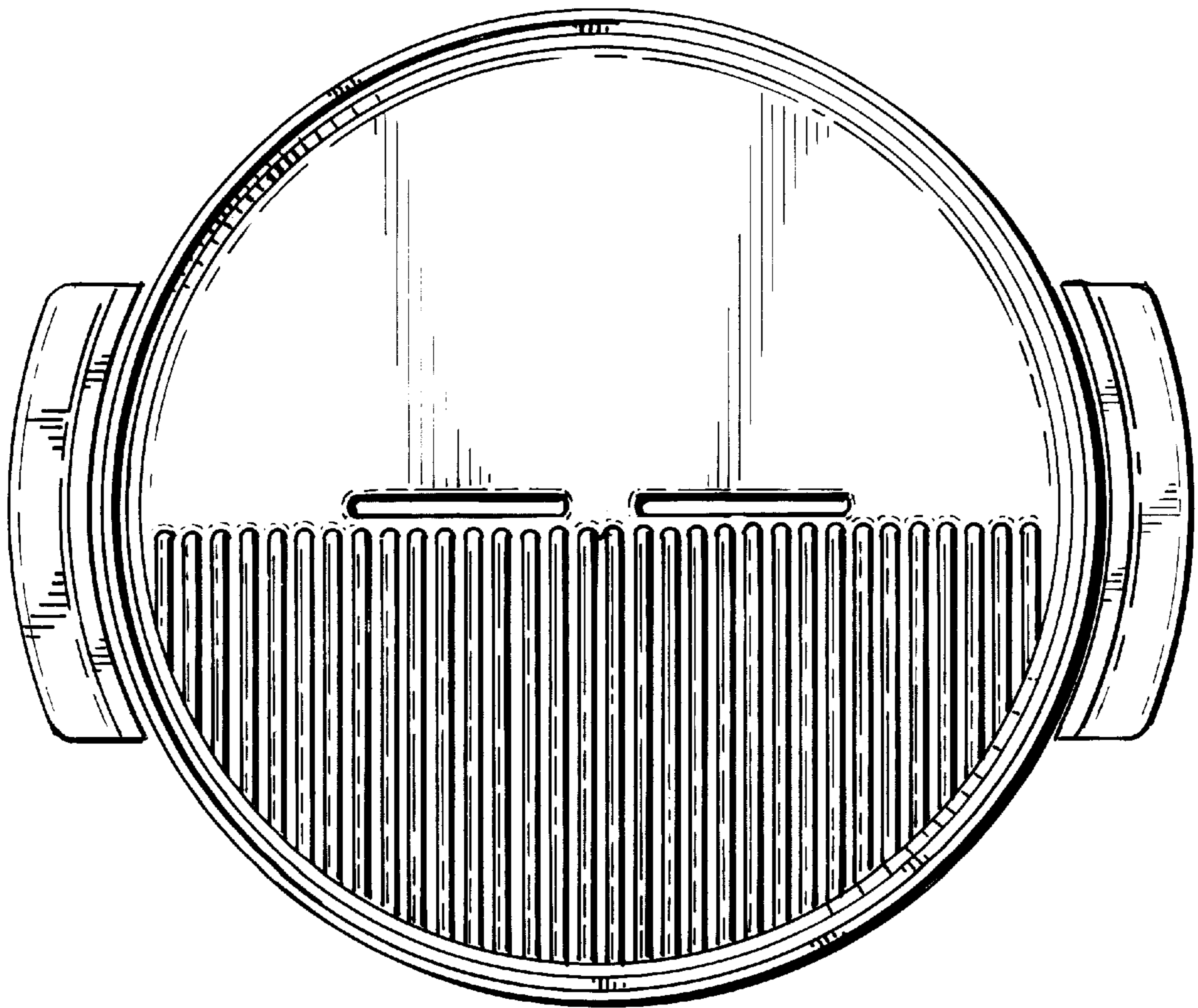
**1 Claim, 4 Drawing Sheets**



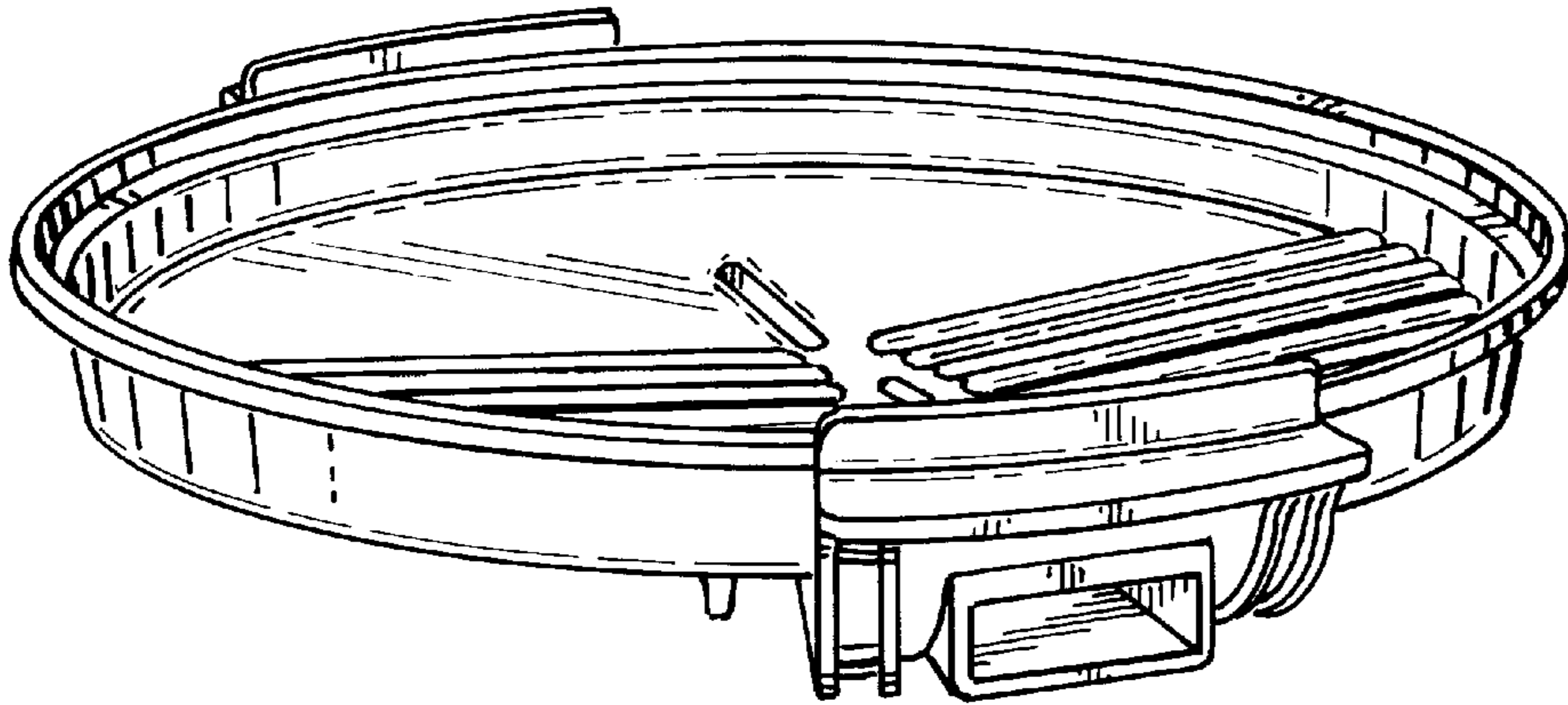
*Fig. 1.*



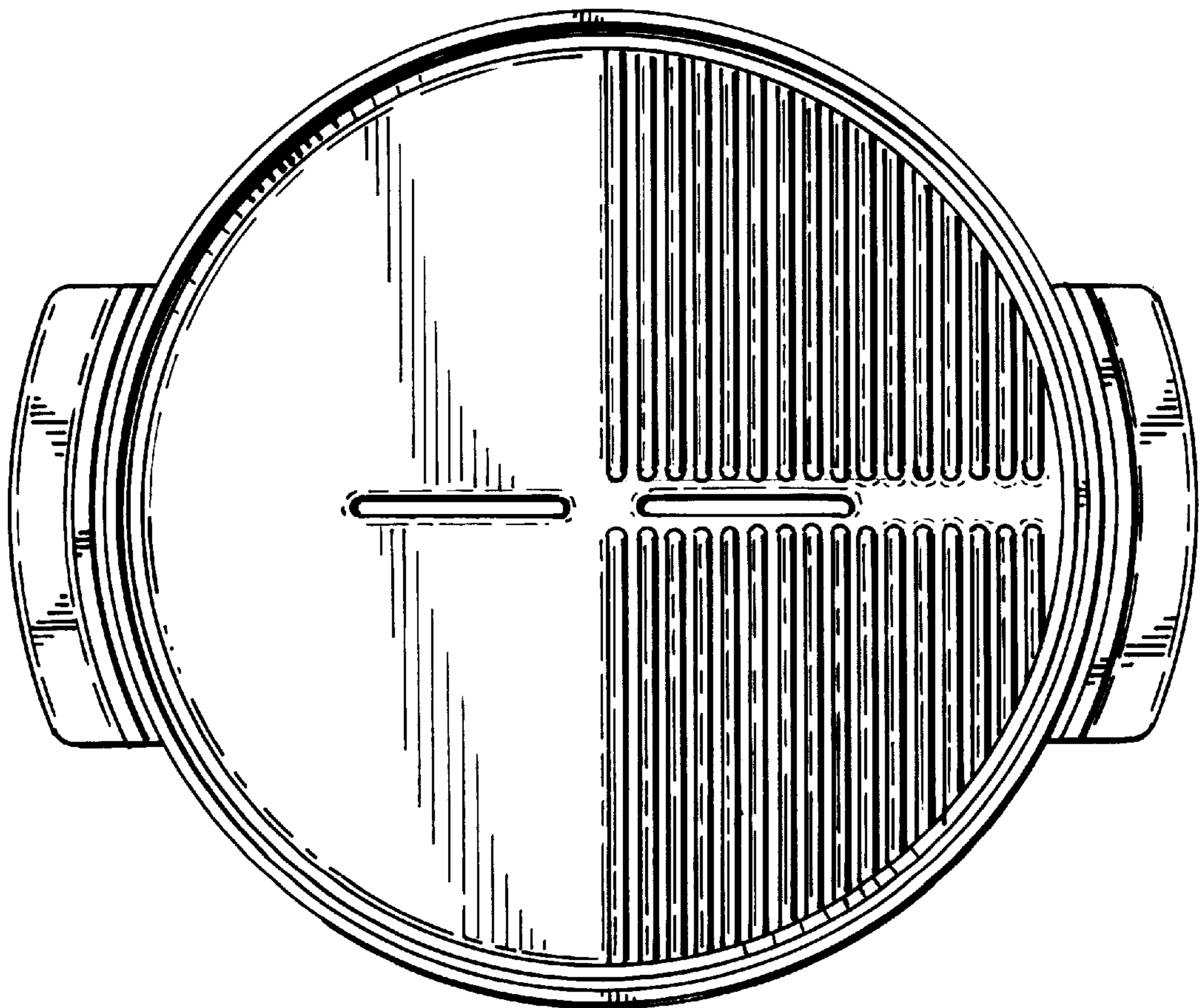
*Fig. 2.*

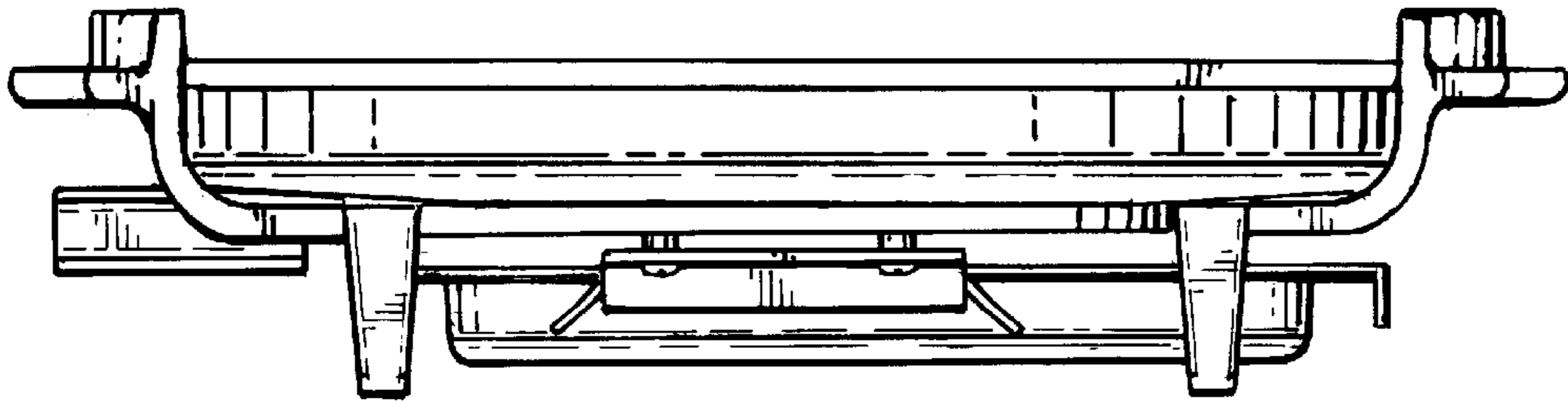


*Fig. 3.*

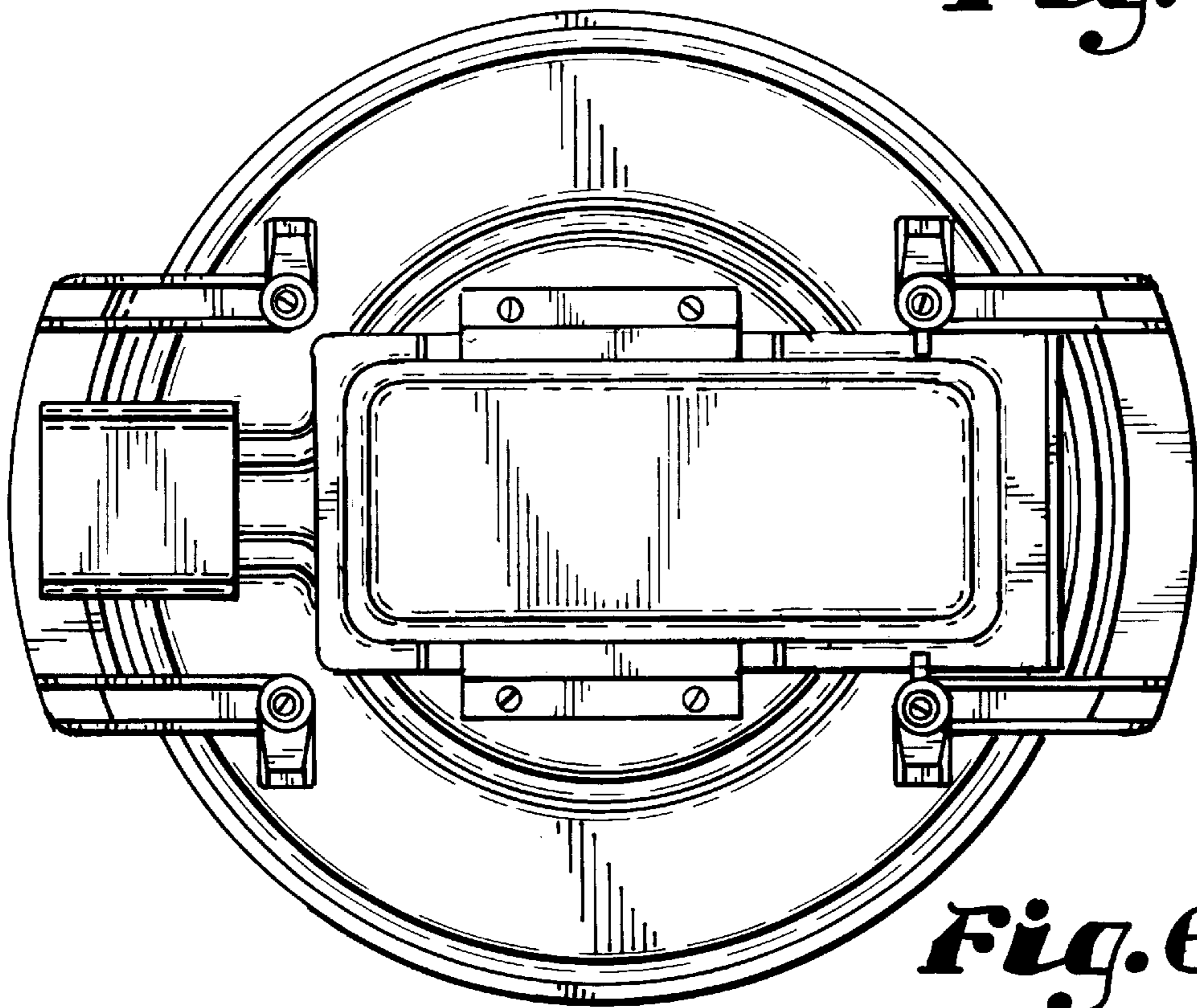


*Fig. 4.*



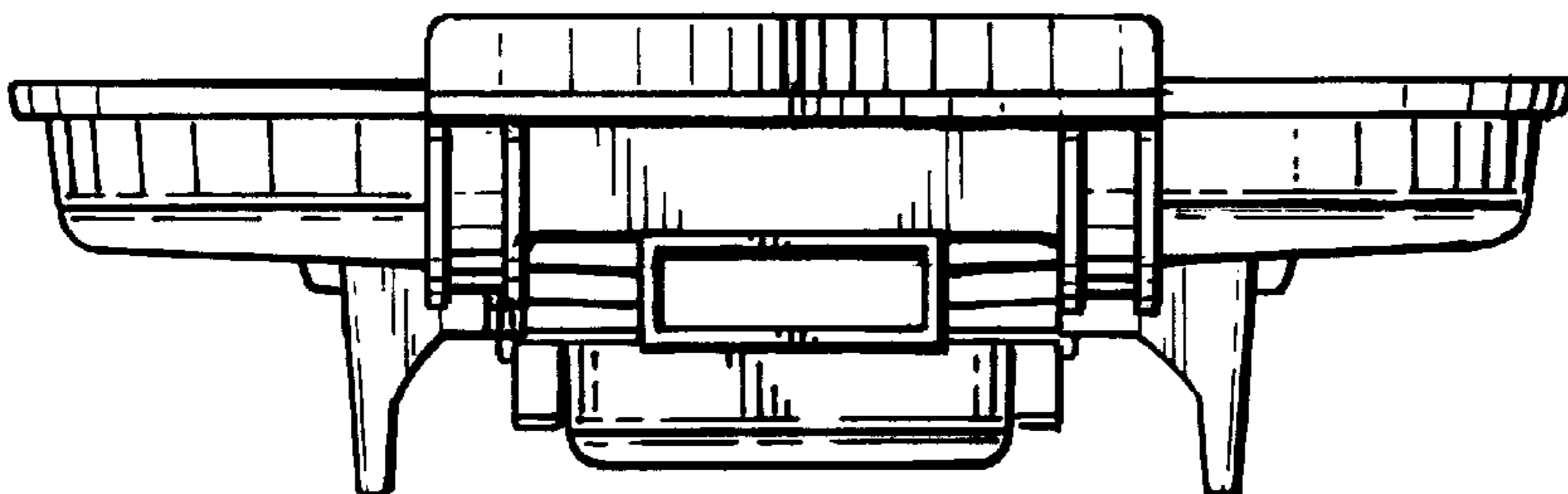


*Fig. 5 .*



*Fig. 6 .*

*Fig. 7 .*



*Fig. 8.*

