



US00D432853S

United States Patent [19]

Jun et al.

[11] Patent Number: Des. 432,853

[45] Date of Patent: ** Oct. 31, 2000

[54] MICROWAVE OVEN

[75] Inventors: **Woo Keum Jun**, Seoul; **Byeong Jun Kim**, Inchon, both of Rep. of Korea

[73] Assignee: **Daewoo Electronics Co., Ltd.**, Seoul, Rep. of Korea

[**] Term: 14 Years

[21] Appl. No.: 29/097,965

[22] Filed: Dec. 18, 1998

[51] LOC (7) Cl. 07-02

[52] U.S. Cl. D7/351

[58] Field of Search D7/350, 351, 402, D7/405; 126/275 R, 275 E, 19 M, 19 R, 21 A; 219/10.55 R, 10.55 A, 10.55 B, 10.55 C

[56] References Cited

U.S. PATENT DOCUMENTS

D. 297,392	8/1988	Han	D7/351
D. 304,542	11/1989	Yoo	D7/351
D. 318,396	7/1991	Jung	D7/351
D. 356,006	3/1995	Saimen et al.	D7/351
D. 387,609	12/1997	Noda et al.	D7/351

Primary Examiner—Ruth McInroy
Attorney, Agent, or Firm—Pillsbury Madison & Sutro LLP

[57] CLAIM

The ornamental design for a microwave oven, as shown and described.

DESCRIPTION

FIG. 1 is a perspective view of a microwave oven showing our new design;
 FIG. 2 is a front view thereof;
 FIG. 3 is a rear view thereof;
 FIG. 4 is a top plan view thereof;
 FIG. 5 is a bottom plan view thereof;
 FIG. 6 is a right side view thereof;
 FIG. 7 is a left side view thereof;
 FIG. 8 is a partially cut away perspective view for showing the internal structure of the microwave oven as shown in FIG. 1;
 FIG. 9 is a sectional view taken along line 9—9 in FIG. 2;
 FIG. 10 is a sectional view taken along line 10—10 in FIG. 2; and,
 FIG. 11 is a sectional view taken along line 11—11 in FIG. 4.

1 Claim, 7 Drawing Sheets

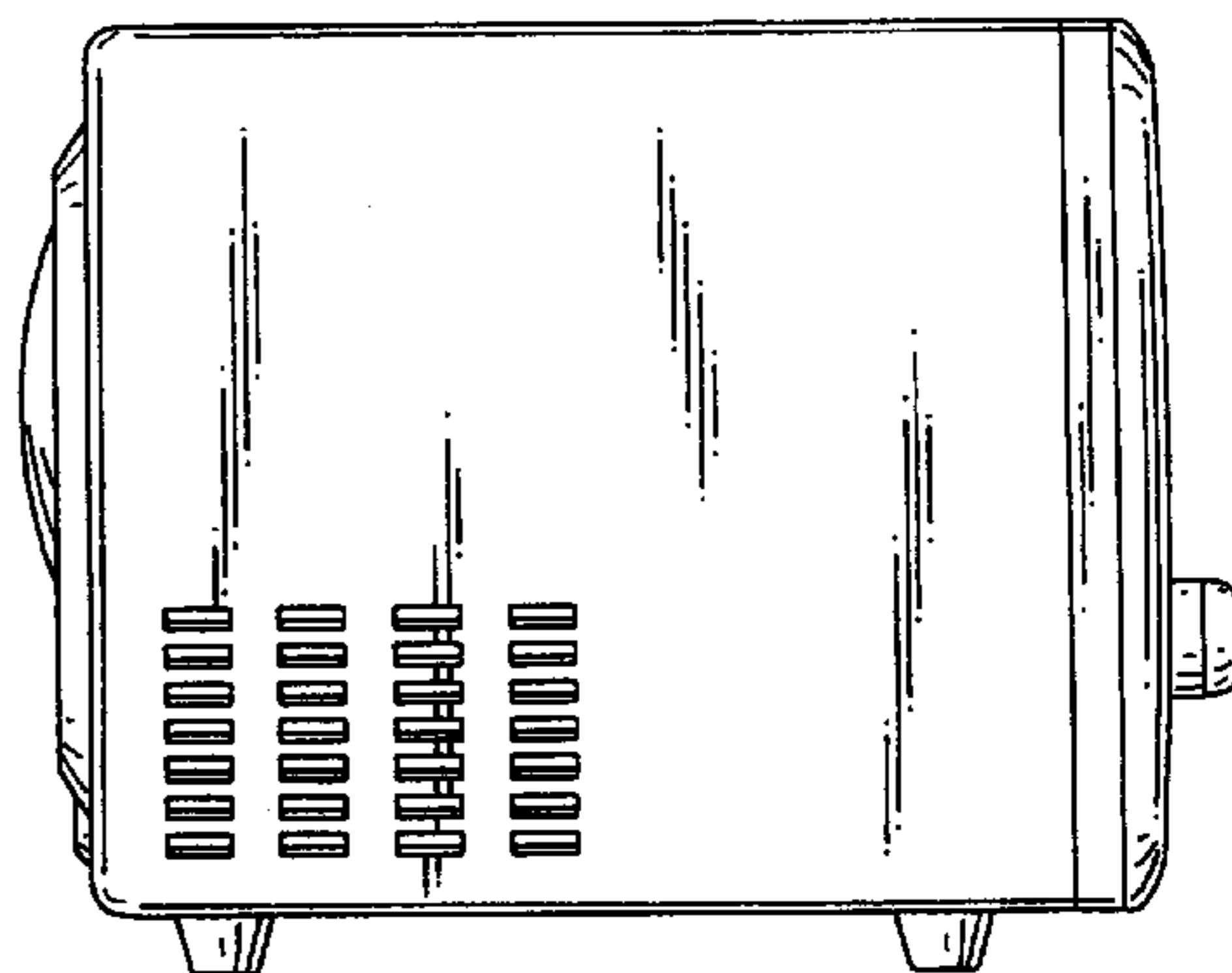
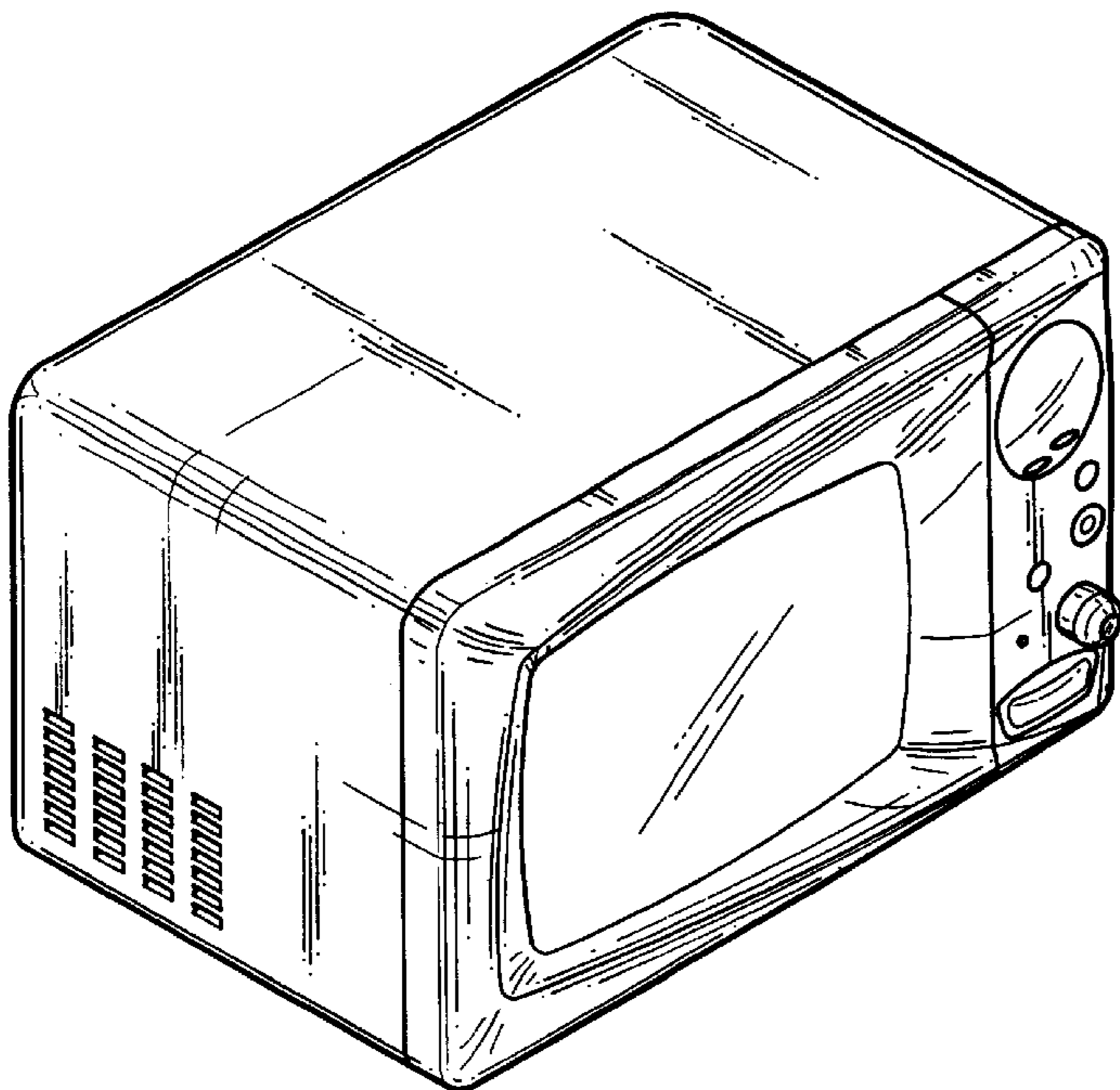


FIG. 1

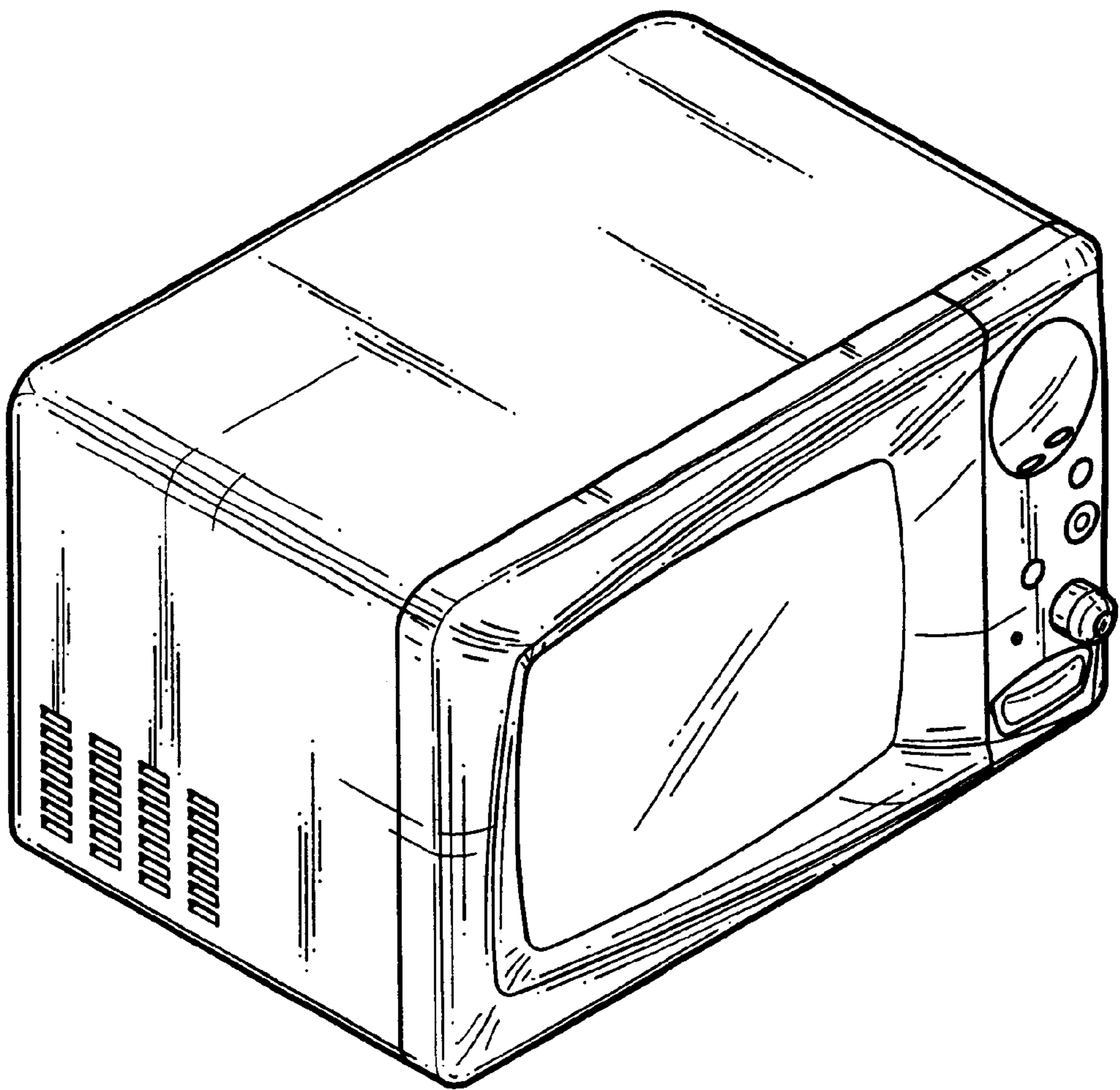


FIG. 2

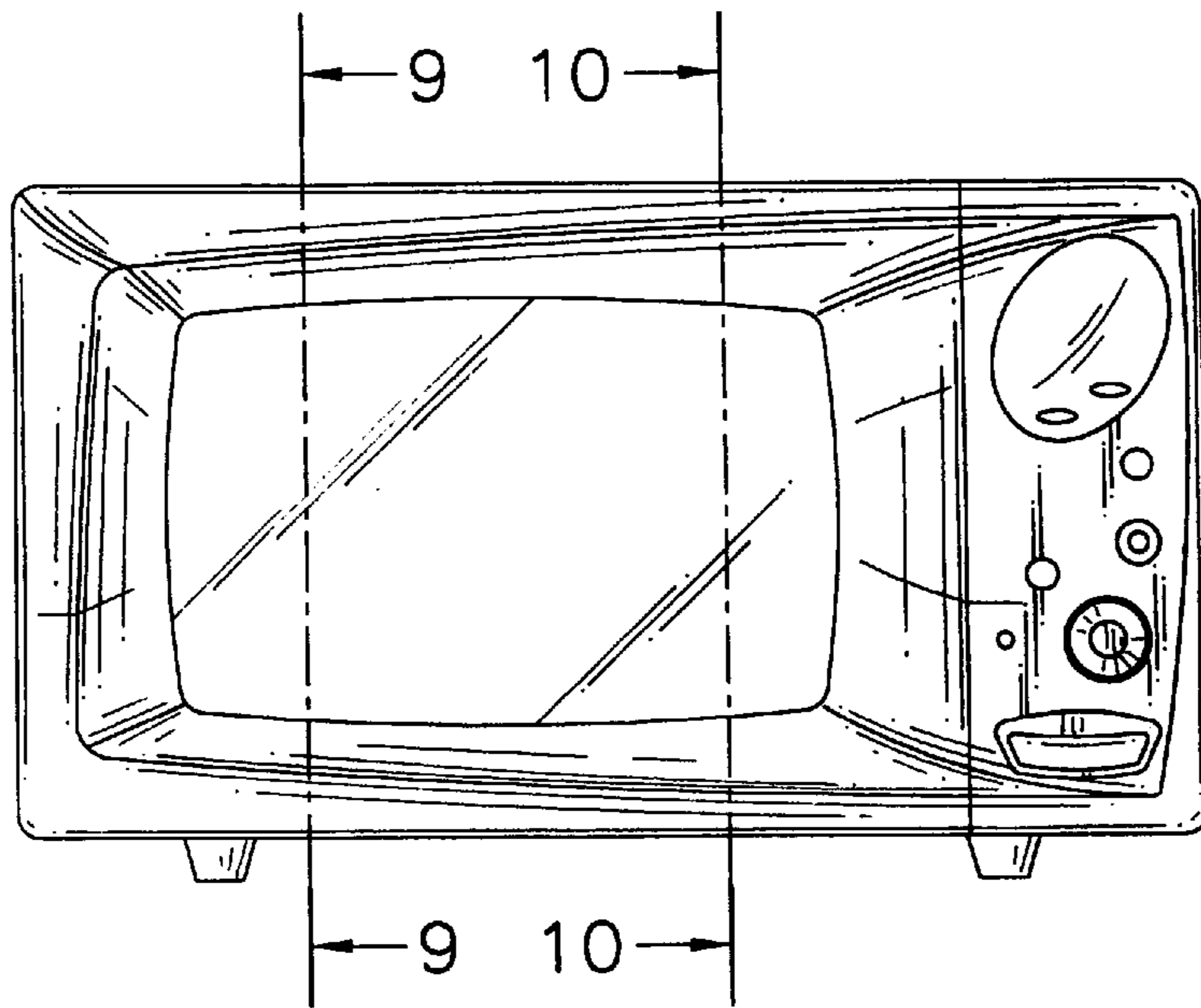


FIG. 3

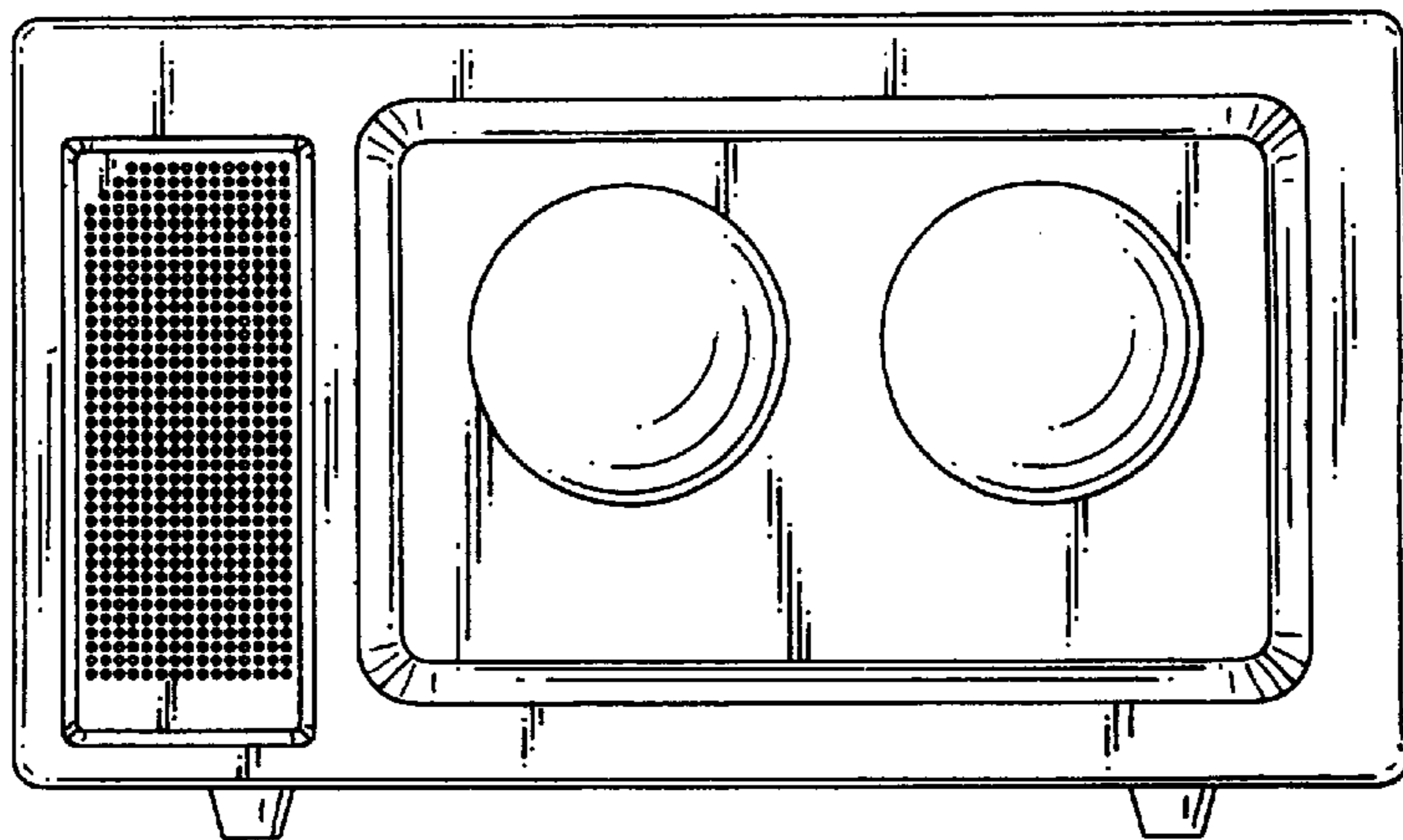


FIG. 4

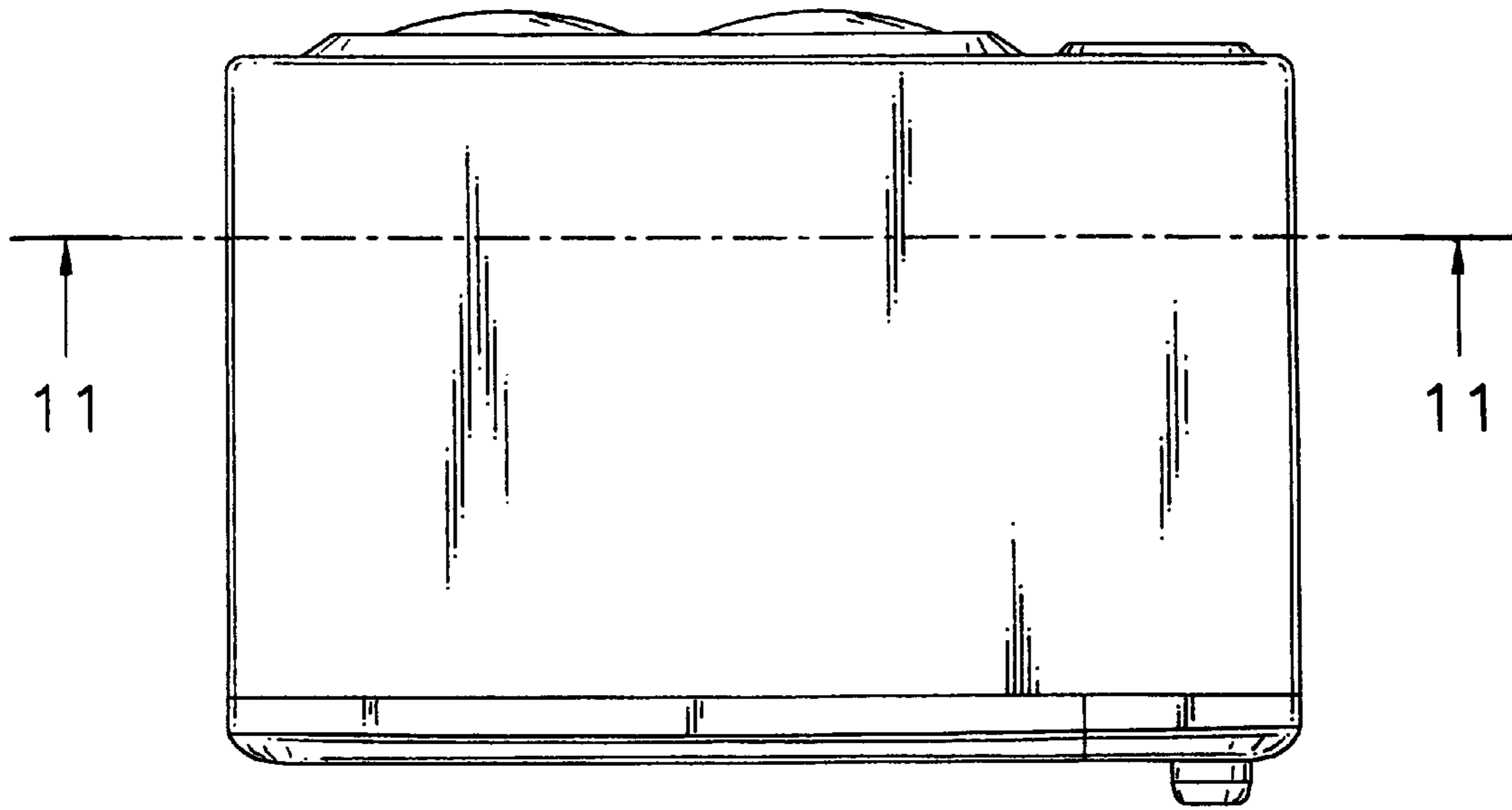


FIG. 5

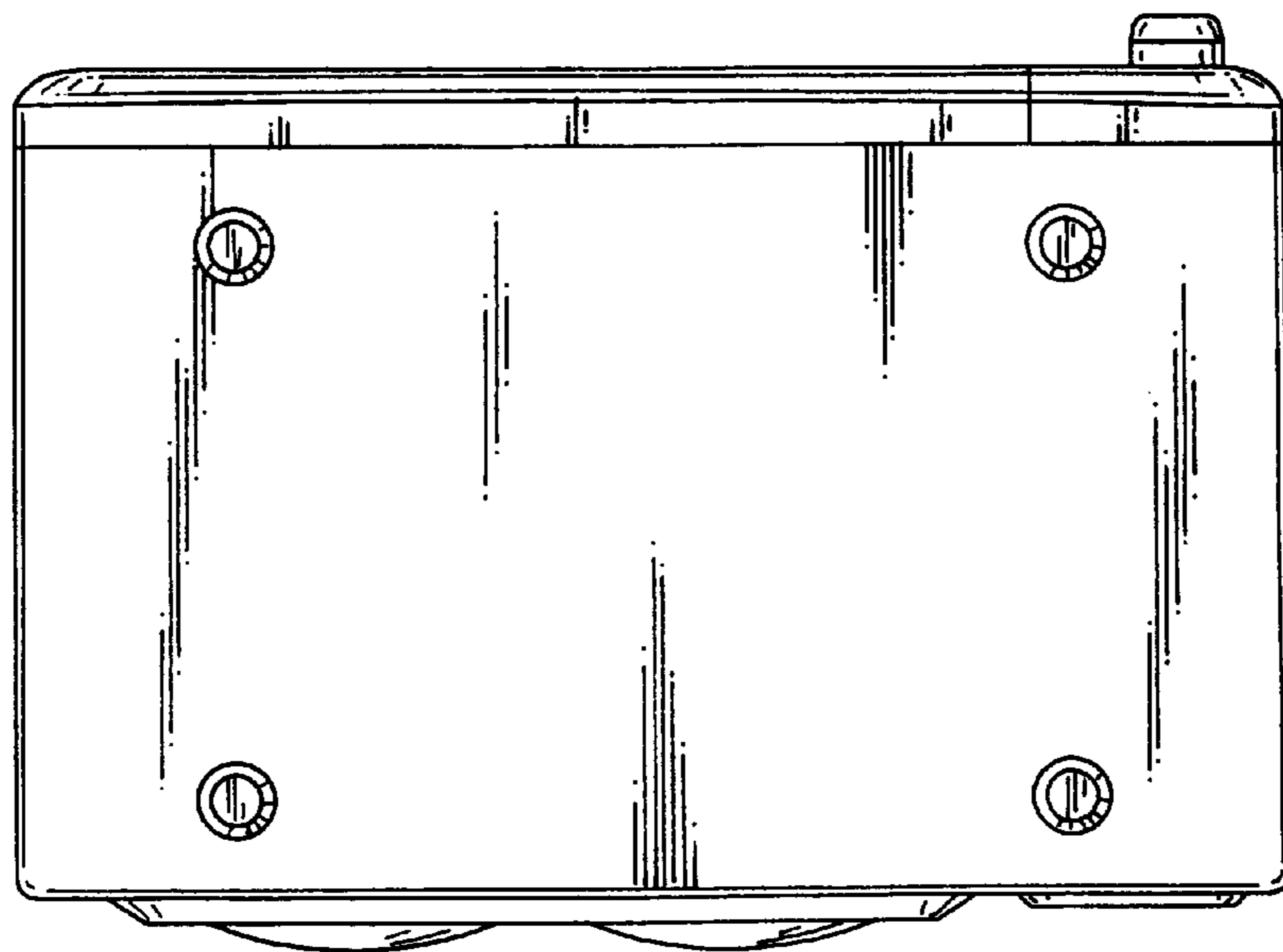


FIG. 6

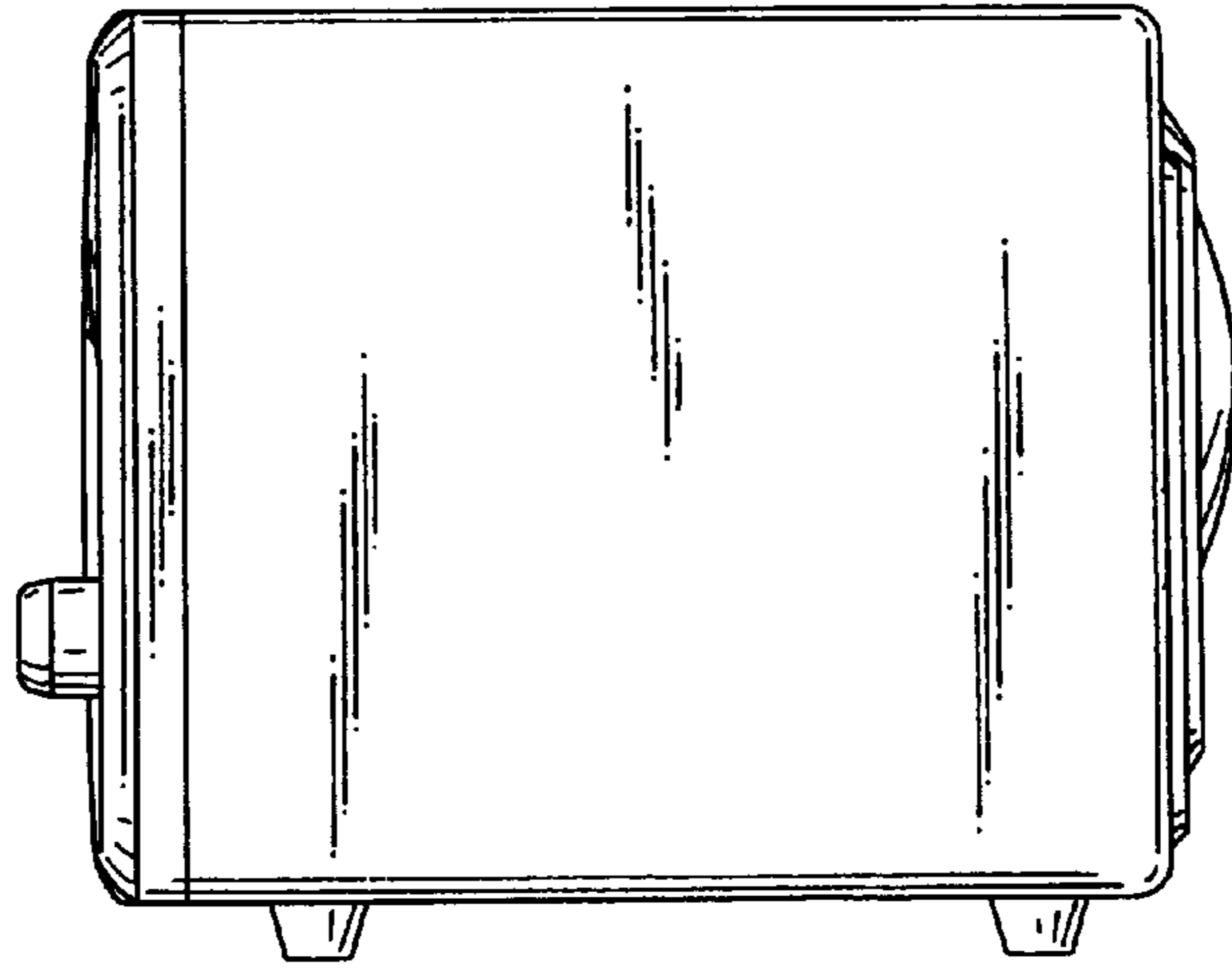


FIG. 7

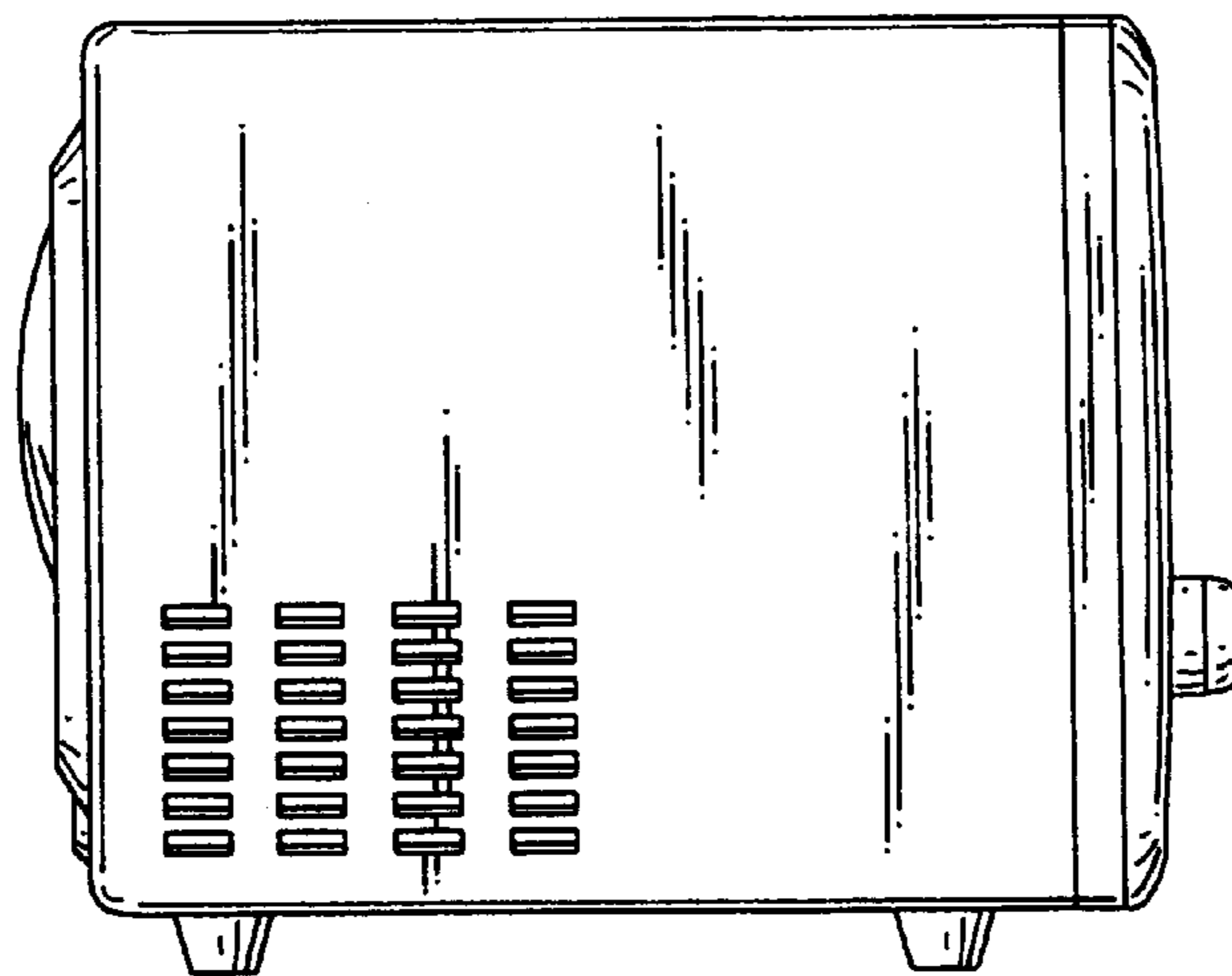


FIG. 8

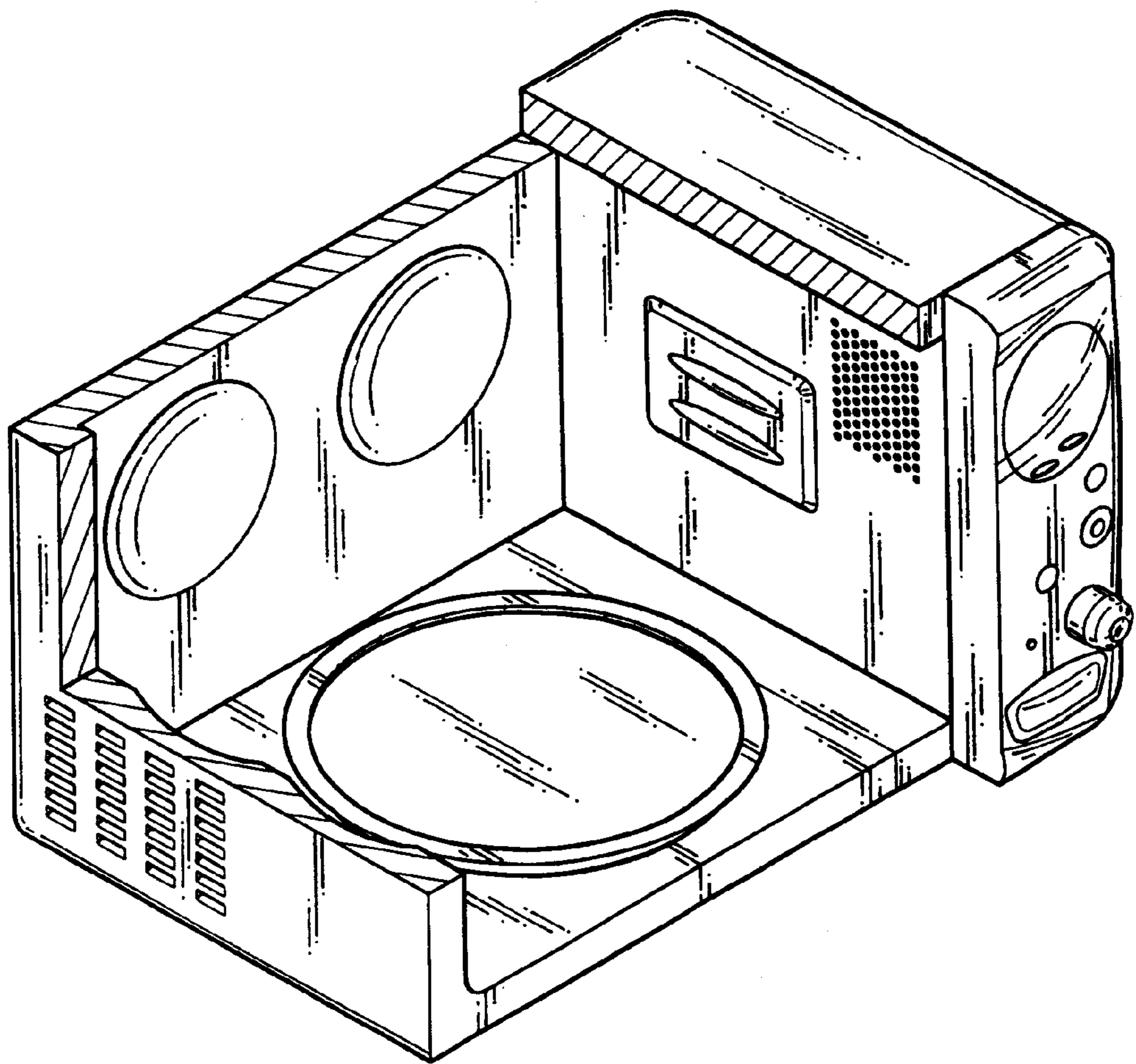


FIG. 9

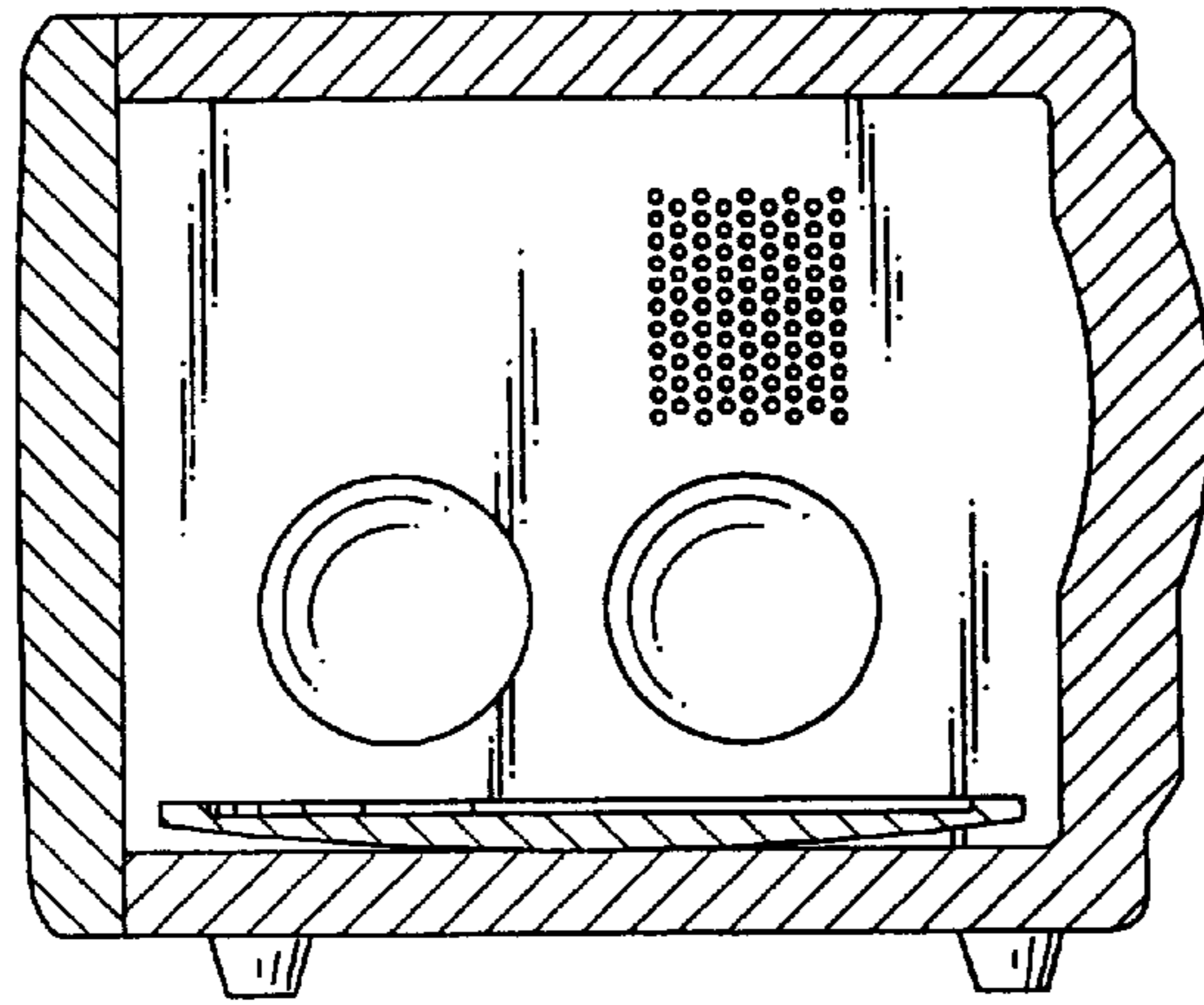


FIG. 10

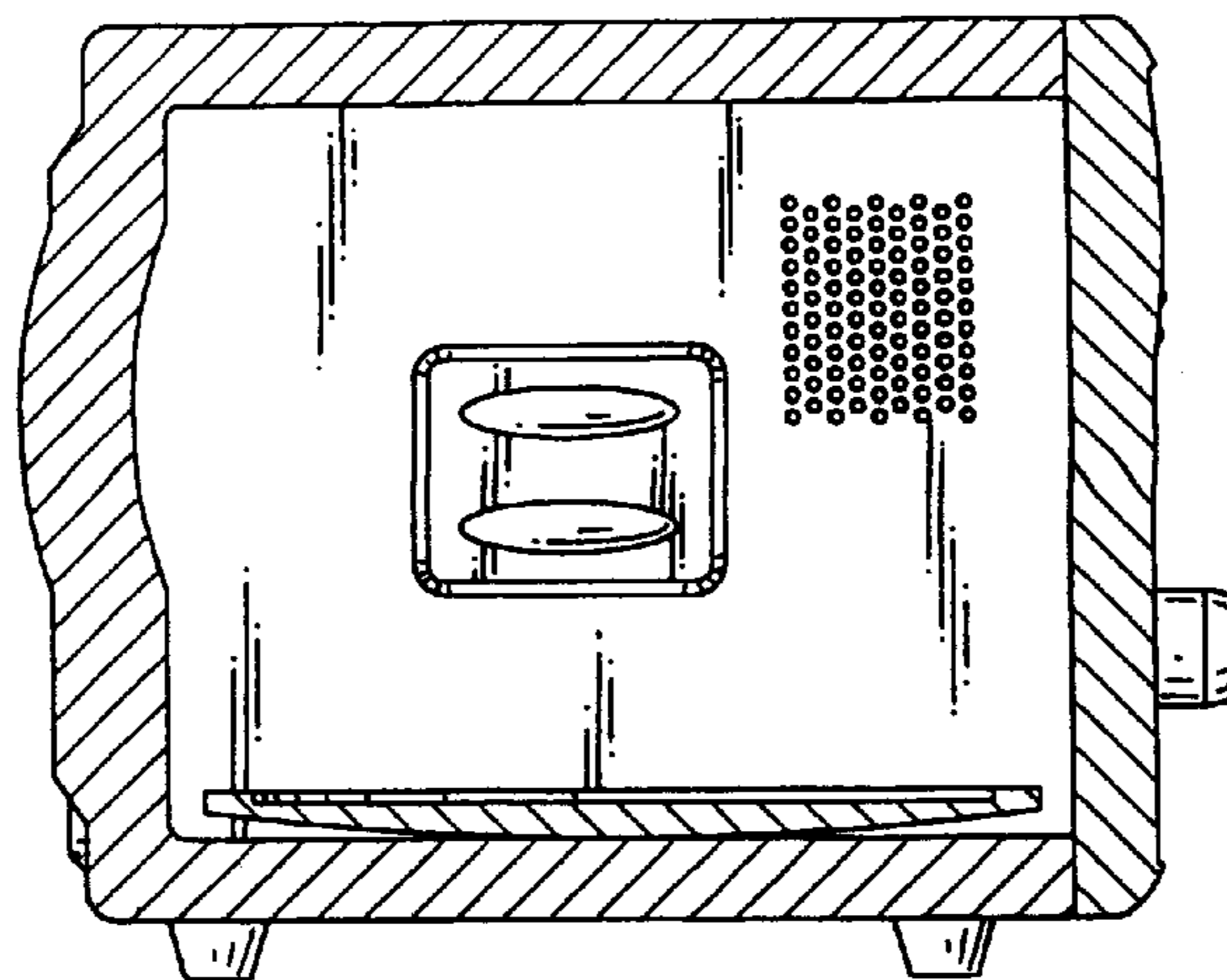


FIG. 11

