



US00D432852S

United States Patent [19]

Mosher, II et al.

[11] Patent Number: Des. 432,852

[45] Date of Patent: ** Oct. 31, 2000

[54] **PORTABLE STOVE**

[75] Inventors: **Robert F. Mosher, II**, Wichita;
Norman D. Neugebauer; Clyde R. Schulte, both of Wichita, all of Kans.

[73] Assignee: **The Coleman Company, Inc.**

[**] Term: **14 Years**

[21] Appl. No.: **29/108,925**

[22] Filed: **Aug. 6, 1999**

[51] **LOC (7) Cl.** **07-02**

[52] **U.S. Cl.** **D7/337; D7/362**

[58] **Field of Search** D7/331-338, 402-404,
D7/409, 362-365, 367; 99/340, 375, 419,
421 H, 422, 421 R, 424, 443 C-444, 446-447,
449, 450; 126/25 R, 25 A, 25 AA, 9 R,
38-39 R, 40, 41 R, 50; 426/523; 431/247

3,593,647 7/1971 Copeland, Jr. .
3,771,510 11/1973 Short .
3,989,028 11/1976 Berger .
4,126,087 11/1978 McLamb .
4,321,857 3/1982 Best .
4,402,300 9/1983 Houck .
4,561,418 12/1985 Cairns .
4,627,408 12/1986 Schlosser .
4,677,964 7/1987 Lohmeyer et al. .
4,727,853 3/1988 Stephen et al. .
5,524,528 6/1996 Yeh 99/446
5,566,606 10/1996 Johnston .
5,613,486 3/1997 Johnston .
5,617,778 4/1997 Schroeter et al. .
6,024,014 2/2000 Kasai 99/425

Primary Examiner—Ruth McInroy
Attorney, Agent, or Firm—Kramer Levin Naftalis & Frankel LLP

[57] CLAIM

The ornamental design for a portable stove, as shown and described.

DESCRIPTION

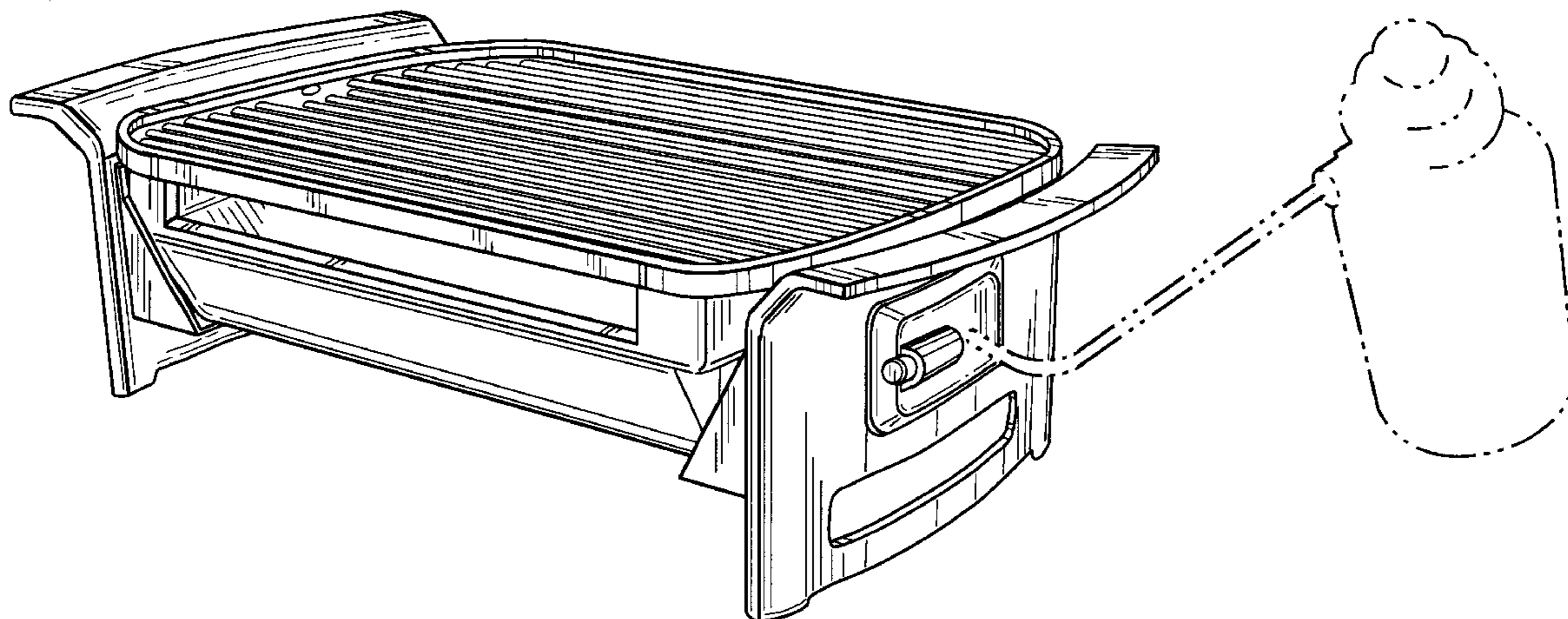
FIG. 1 is a perspective view showing our new design; FIG. 2 is an elevation view of a first end thereof; FIG. 3 is an elevation view of a second end thereof; FIG. 4 is a top plan view thereof; FIG. 5 is a bottom plan view thereof; FIG. 6 is a front elevation view thereof; FIG. 7 is a rear elevation view thereof; and, FIG. 8 is a second embodiment of FIG. 4, the only difference being in the configuration of the stove cooking surface. The details shown in broken lines in FIGS. 1 and 5 are for illustrative purposes only and form no part of the claimed design

1 Claim, 8 Drawing Sheets

[56] **References Cited**

U.S. PATENT DOCUMENTS

Re. 36,463 12/1999 O'Brien et al. 99/446
D. 351,083 10/1994 O'Brien et al. D7/363
D. 364,773 12/1995 Witte D7/337
D. 377,134 1/1997 Touche D7/362
D. 412,808 8/1999 Hinton et al. D7/362
D. 416,167 11/1999 Barker D7/363
2,722,883 11/1955 Rignell .
2,881,695 4/1959 Di Pietro .
2,903,549 9/1959 Joseph .
2,905,077 9/1959 Del Francia .
3,173,357 3/1965 Nunnery .
3,348,472 10/1967 Anetsberger et al. .
3,396,716 8/1968 Weyland .
3,418,921 12/1968 Fautz .
3,586,518 6/1971 Folmar .



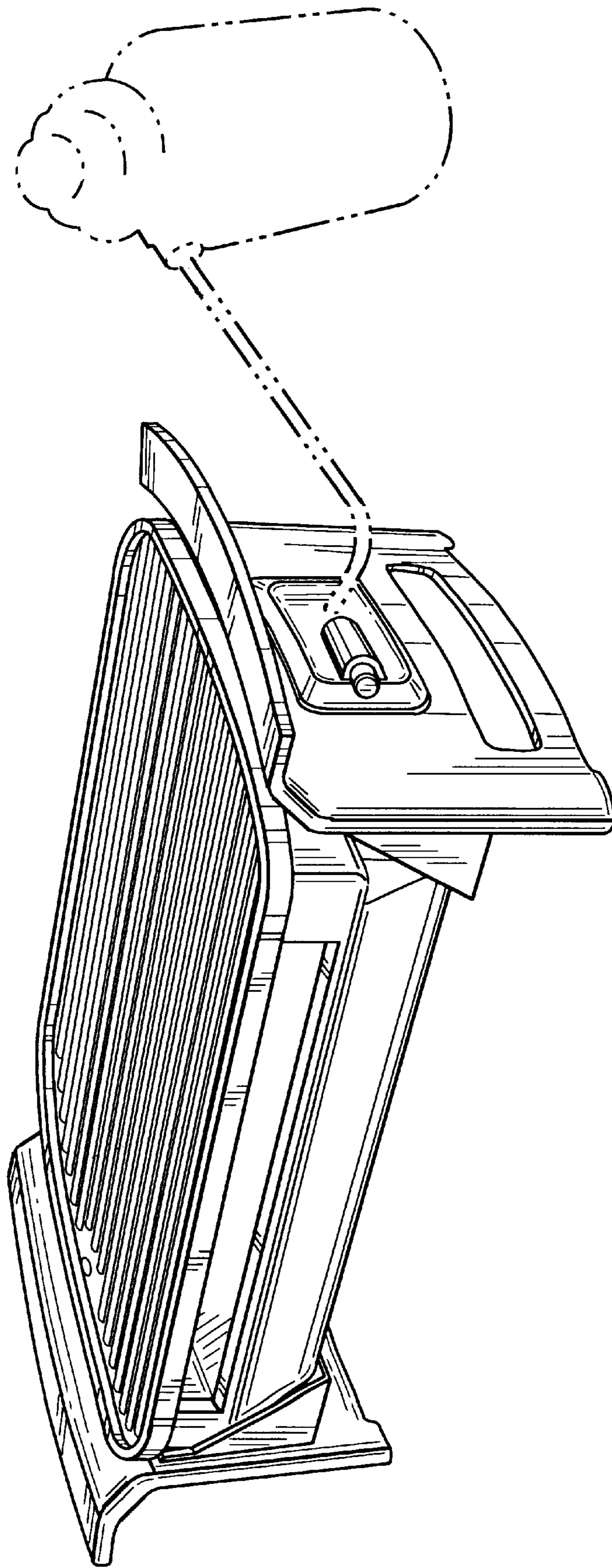


FIG. 1

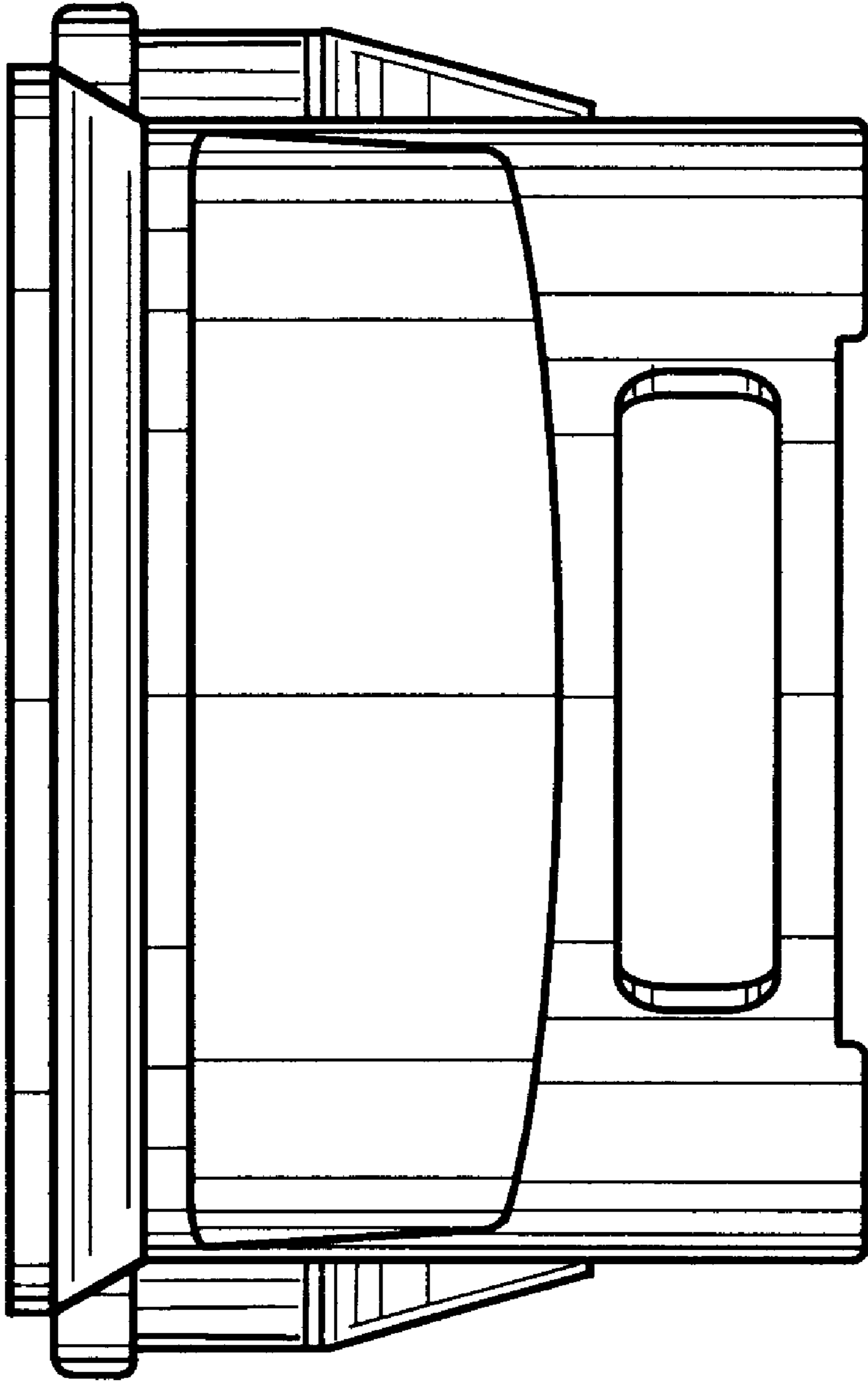


FIG. 2

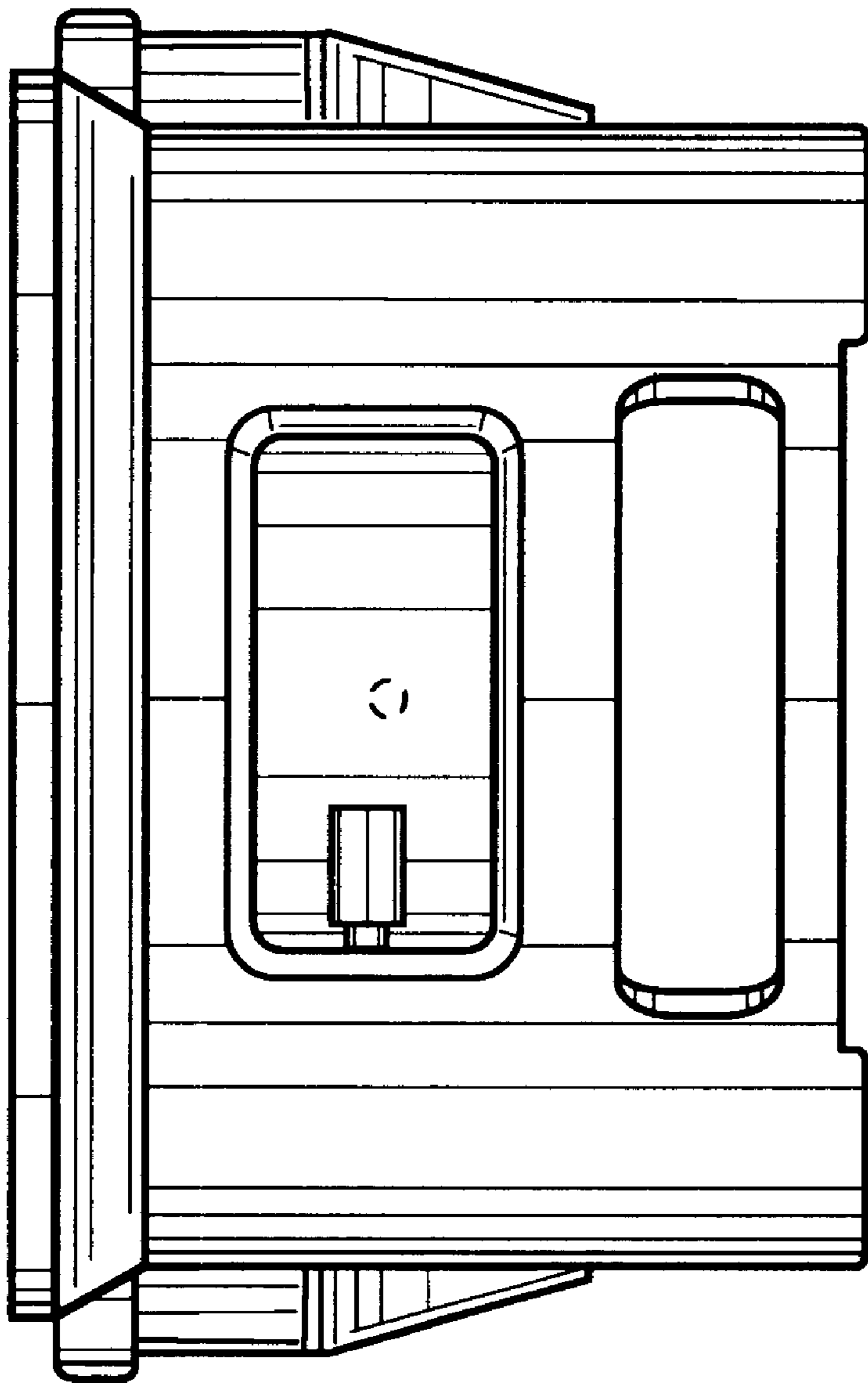


FIG. 3

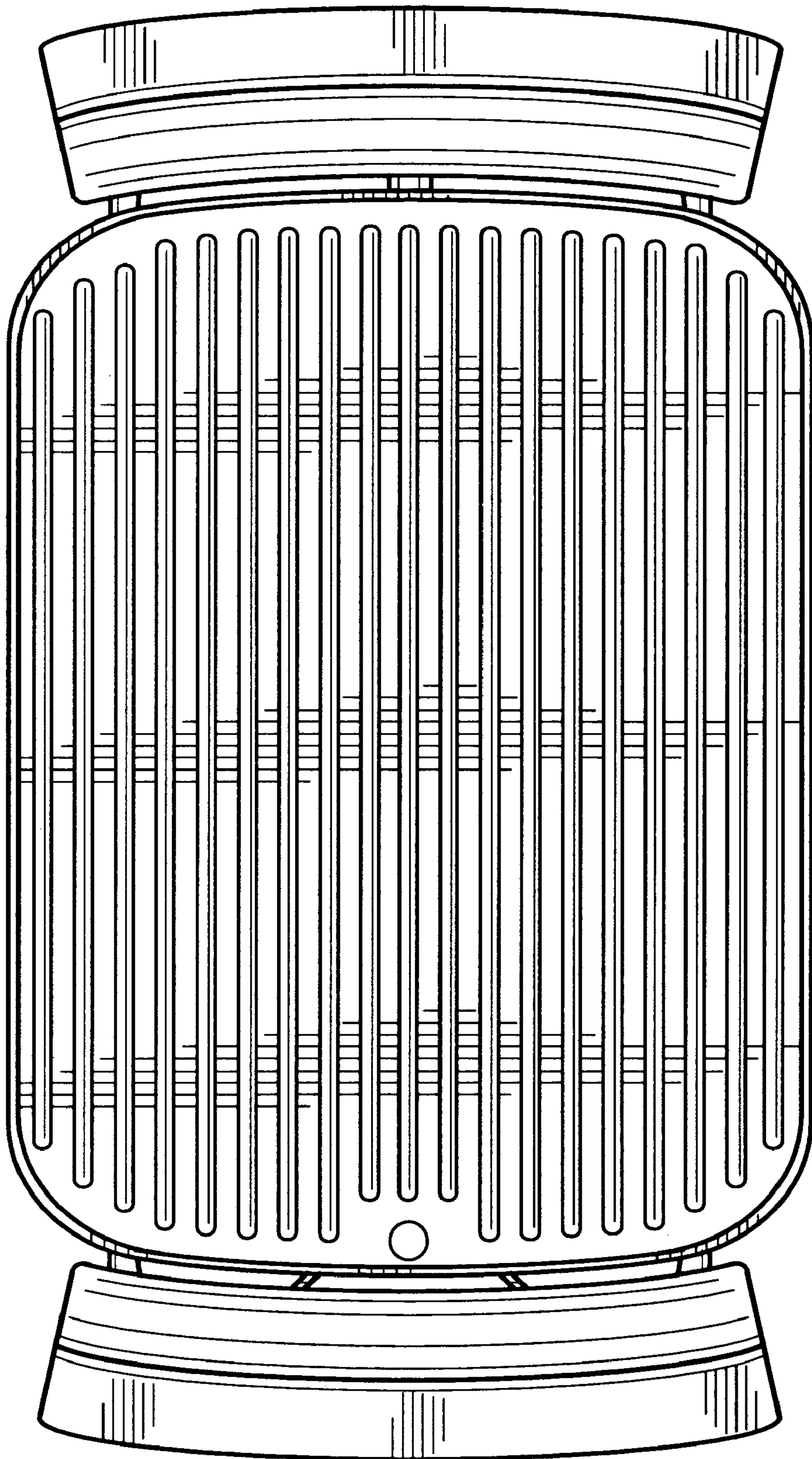


FIG. 4

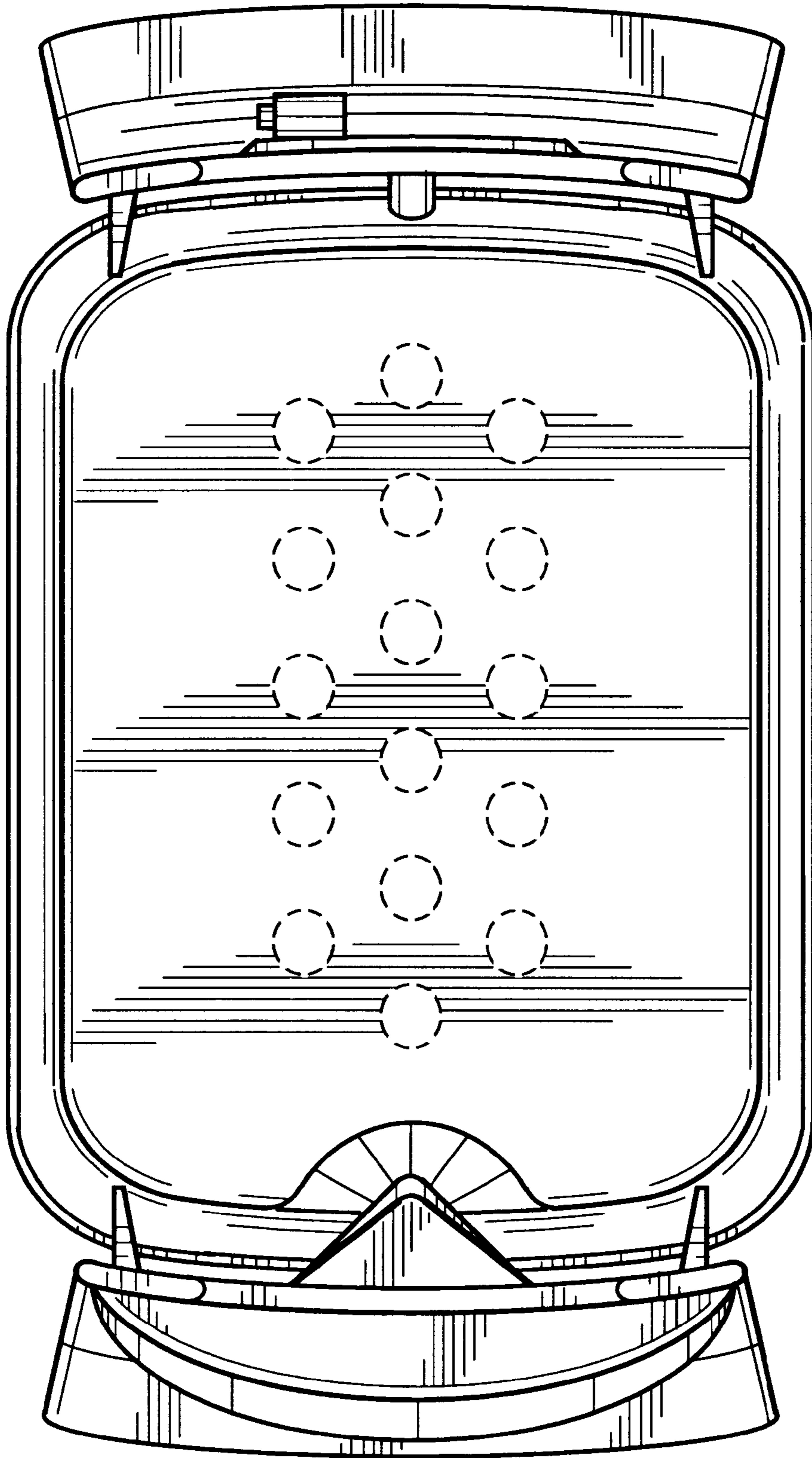


FIG. 5

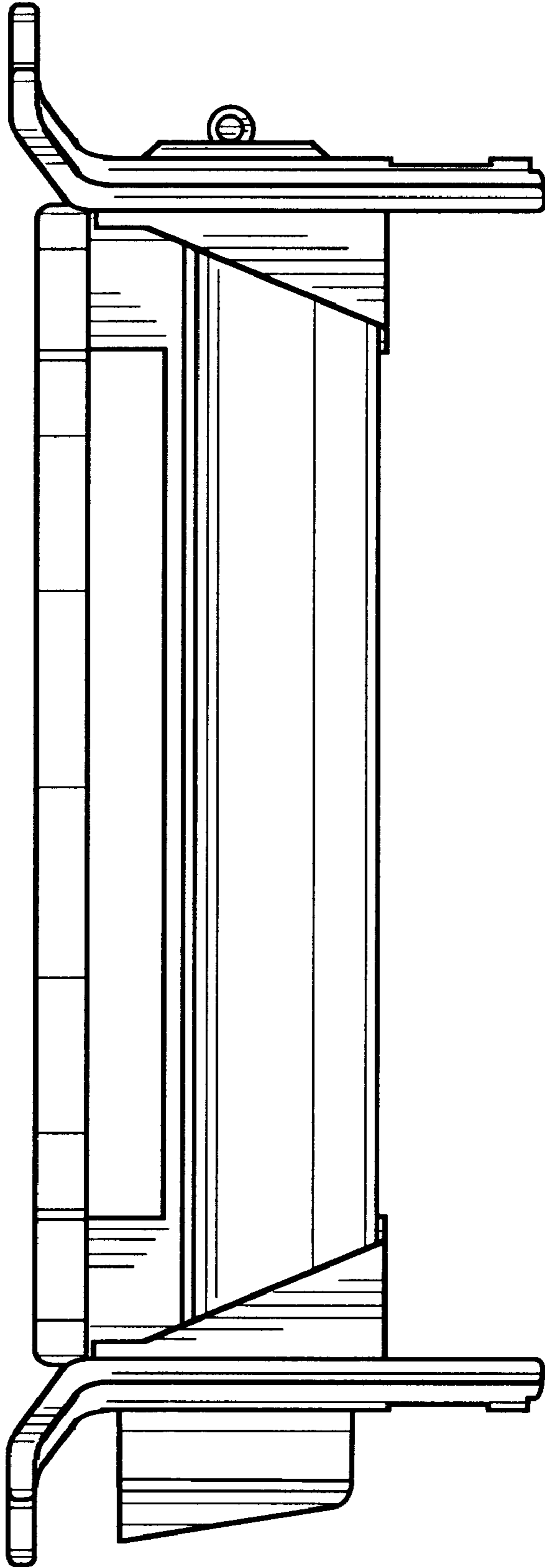


FIG. 6

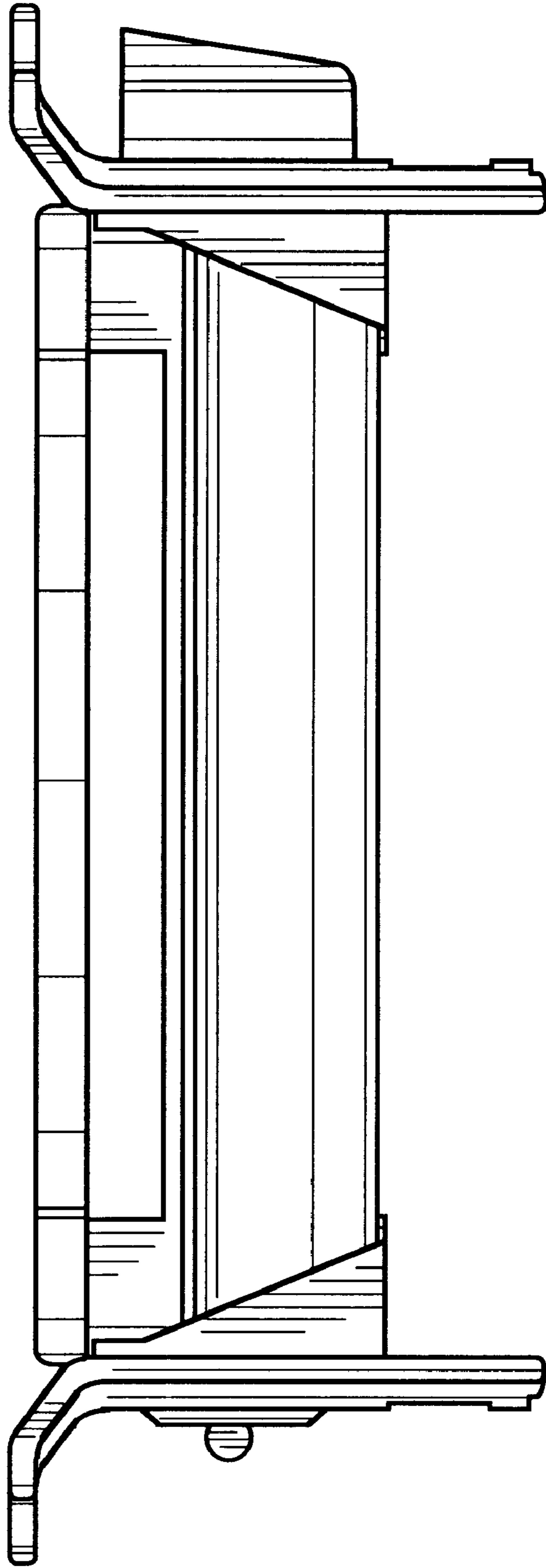


FIG. 7

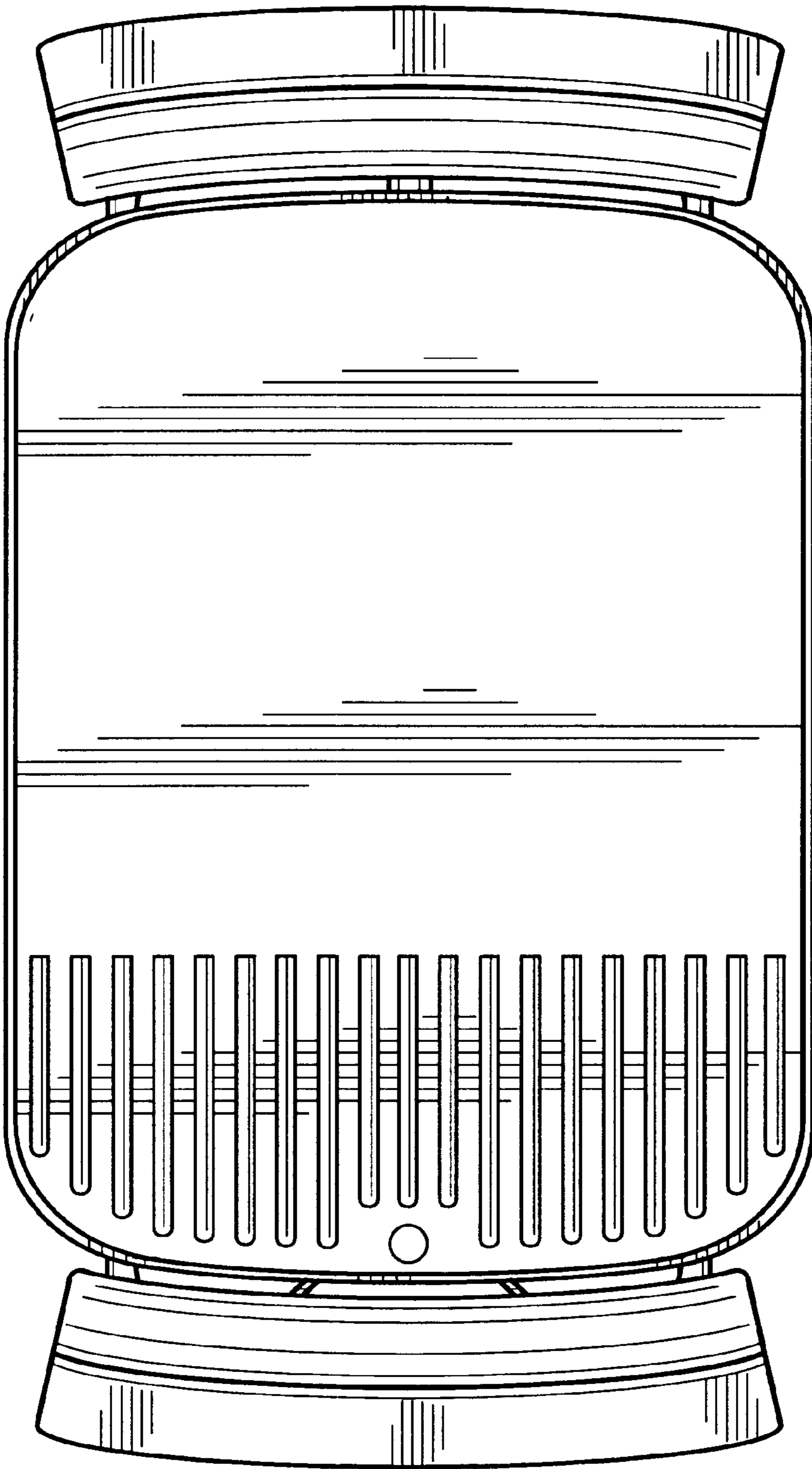


FIG. 8