



US00D432851S

United States Patent [19]
Hoff et al.

[11] **Patent Number: Des. 432,851**
[45] **Date of Patent: ** Oct. 31, 2000**

[54] **KETTLE**
[75] Inventors: **Susan K. Hoff**, Belmont, Mich.; **Kazue Mitsuhashi Mikami**, Tokyo; **Koichi Harada**, Yono, both of Japan
[73] Assignee: **Amway Corporation**, Ada, Mich.
[**] Term: **14 Years**
[21] Appl. No.: **29/103,571**
[22] Filed: **Apr. 16, 1999**
[51] **LOC (7) Cl. 07-01**
[52] **U.S. Cl. D7/320; D7/312; D7/321**
[58] **Field of Search D7/393, 394, 395, D7/396.2, 300, 312, 322, 321, 313, 314, 320; 229/402; 220/5, 92.17, 755; D8/314, DIG. 1; 222/465.1, 481**

462084 4/1982 Japan .
408324 7/1982 Japan .
489662 2/1983 Japan .
620077 3/1984 Japan .
620178 3/1984 Japan .
620357 3/1984 Japan .
620880 3/1984 Japan .
641619 12/1984 Japan .
641626 12/1984 Japan .
641627 12/1984 Japan .
641759 12/1984 Japan .
642981 1/1985 Japan .
657713 8/1985 Japan .
662006 10/1985 Japan .
671026 1/1986 Japan .
671027 1/1986 Japan .
671028 1/1986 Japan .
671029 1/1986 Japan .
672834 2/1986 Japan .
703992 5/1987 Japan .
704006 5/1987 Japan .
704008 5/1987 Japan .
705633 5/1987 Japan .
722328 12/1987 Japan .
722874 1/1988 Japan .
768965 8/1989 Japan .
769786 9/1989 Japan .
770830 9/1989 Japan .
830774 3/1992 Japan .
831198 3/1992 Japan .
831294 6/1993 Japan .
831294 4/1995 Japan .

[56] **References Cited**
U.S. PATENT DOCUMENTS
D. 25,342 3/1896 Pritchard .
D. 43,106 10/1912 Hoffmann .
D. 53,879 10/1919 Brown .
D. 90,173 6/1933 Willman D7/320
D. 91,350 1/1934 Christman D7/320
D. 92,032 4/1934 Sakhnoffsky D7/320
D. 109,642 5/1938 Morgan .
D. 216,599 2/1970 Jacobsen .
D. 251,171 2/1979 Umanoff .
D. 260,957 9/1981 Urich .
D. 265,621 8/1982 Urich .
D. 279,755 7/1985 Lax .
283,287 8/1883 Schoening .
D. 283,670 5/1986 Lax .
D. 316,797 5/1991 Ancona et al. .
D. 336,013 6/1993 Lebowitz .
D. 342,640 12/1993 Lebowitz .
D. 343,984 2/1994 Lin .
D. 352,861 11/1994 Shieh .
D. 373,500 9/1996 Lee D7/320
D. 395,788 7/1998 Holland D7/321
482,972 9/1892 Baker .
1,545,488 7/1925 Doty .
1,618,992 3/1927 Paget .

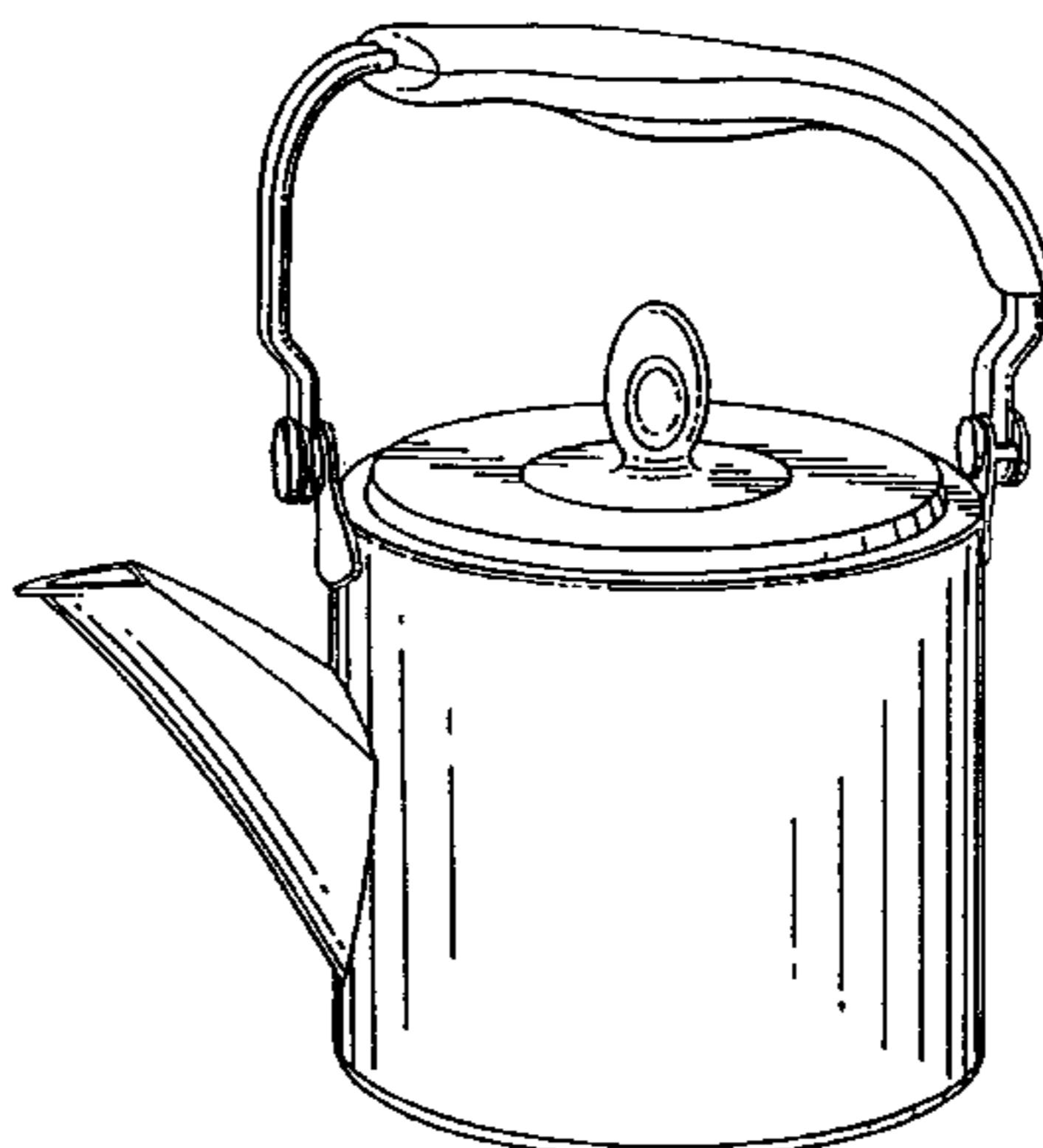
FOREIGN PATENT DOCUMENTS
548599 1/1956 Japan .

Primary Examiner—M. N. Pandozzi
Attorney, Agent, or Firm—Amway Corporation

[57] **CLAIM**
The ornamental design for a kettle, as shown and described.

DESCRIPTION
FIG. 1 is a perspective view of a kettle embodying the new design;
FIG. 2 is a front elevational view thereof;
FIG. 3 is a rear elevational view thereof;
FIG. 4 is a top plan view thereof;
FIG. 5 is a left side elevational view thereof;
FIG. 6 is a bottom plan view thereof; and,
FIG. 7 is a right side elevational view thereof.

1 Claim, 3 Drawing Sheets



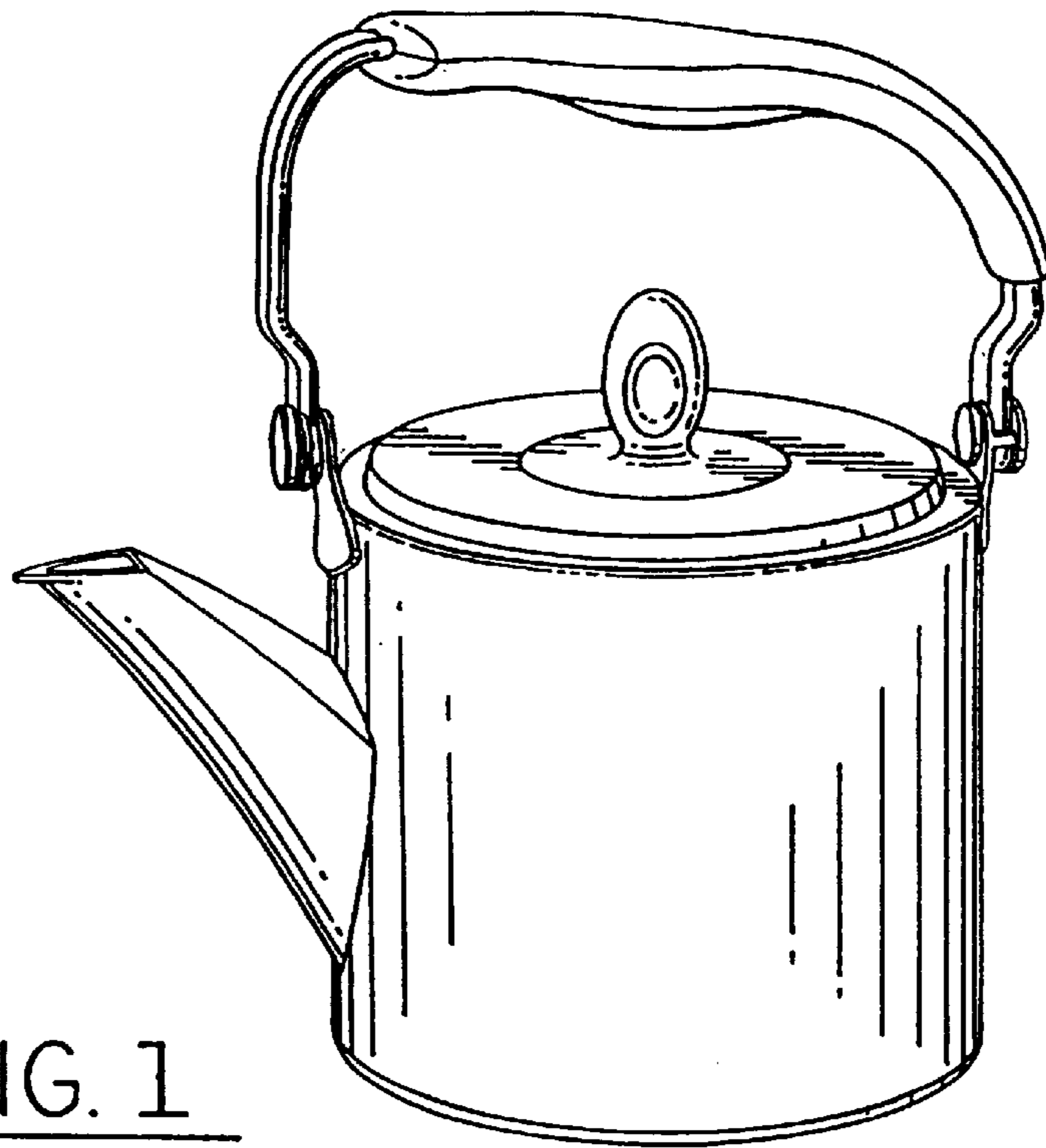


FIG. 1

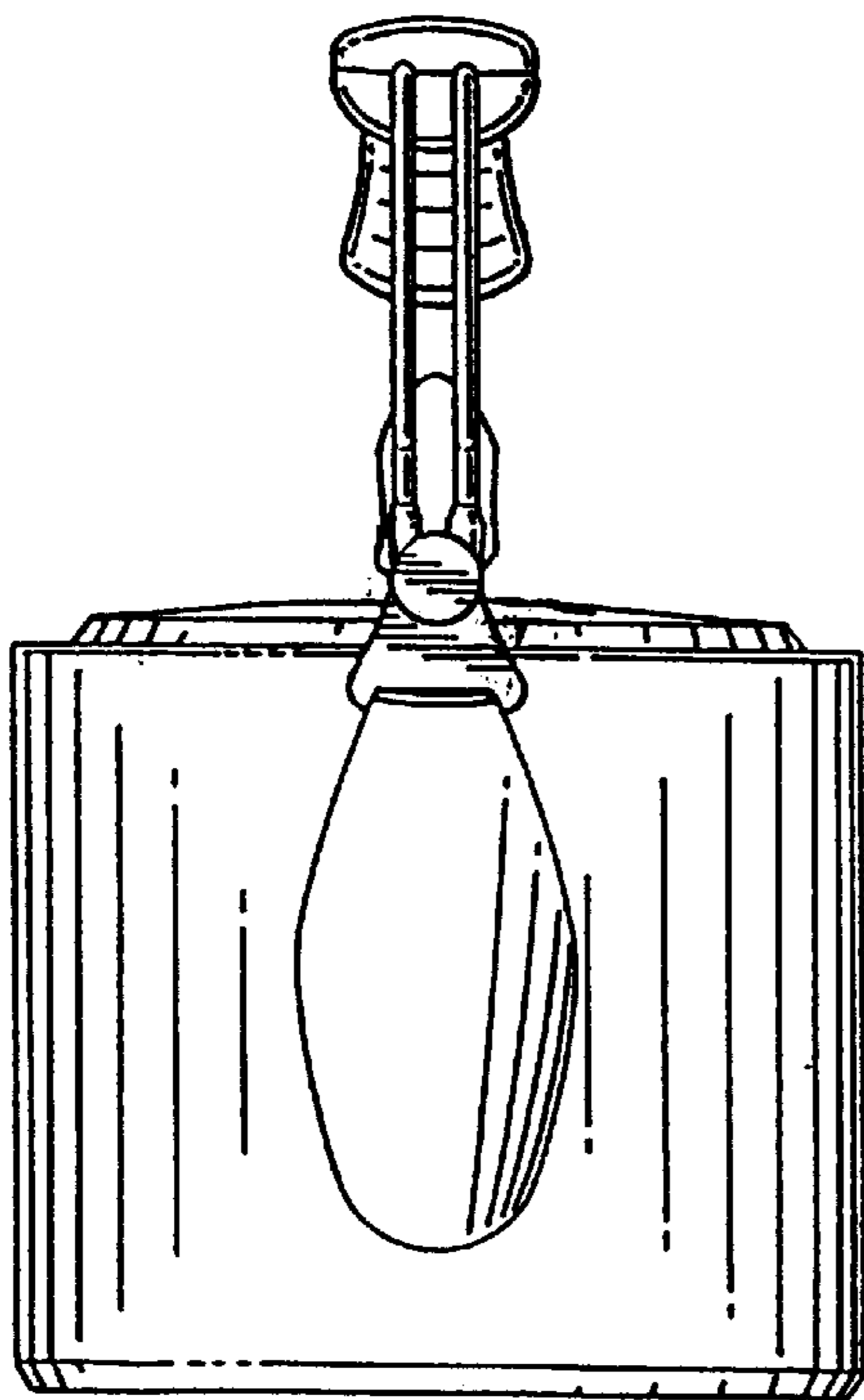


FIG. 2

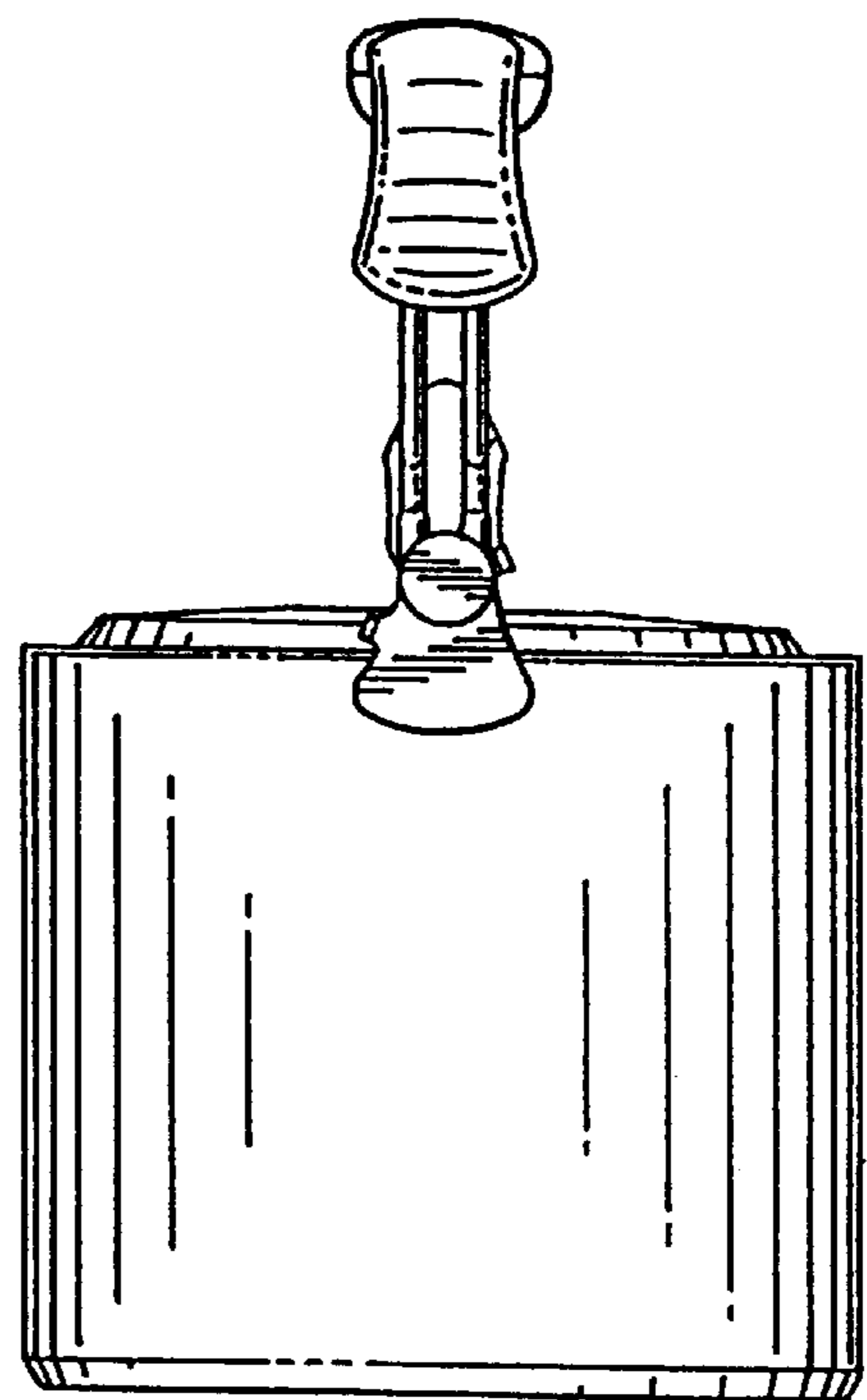


FIG. 3

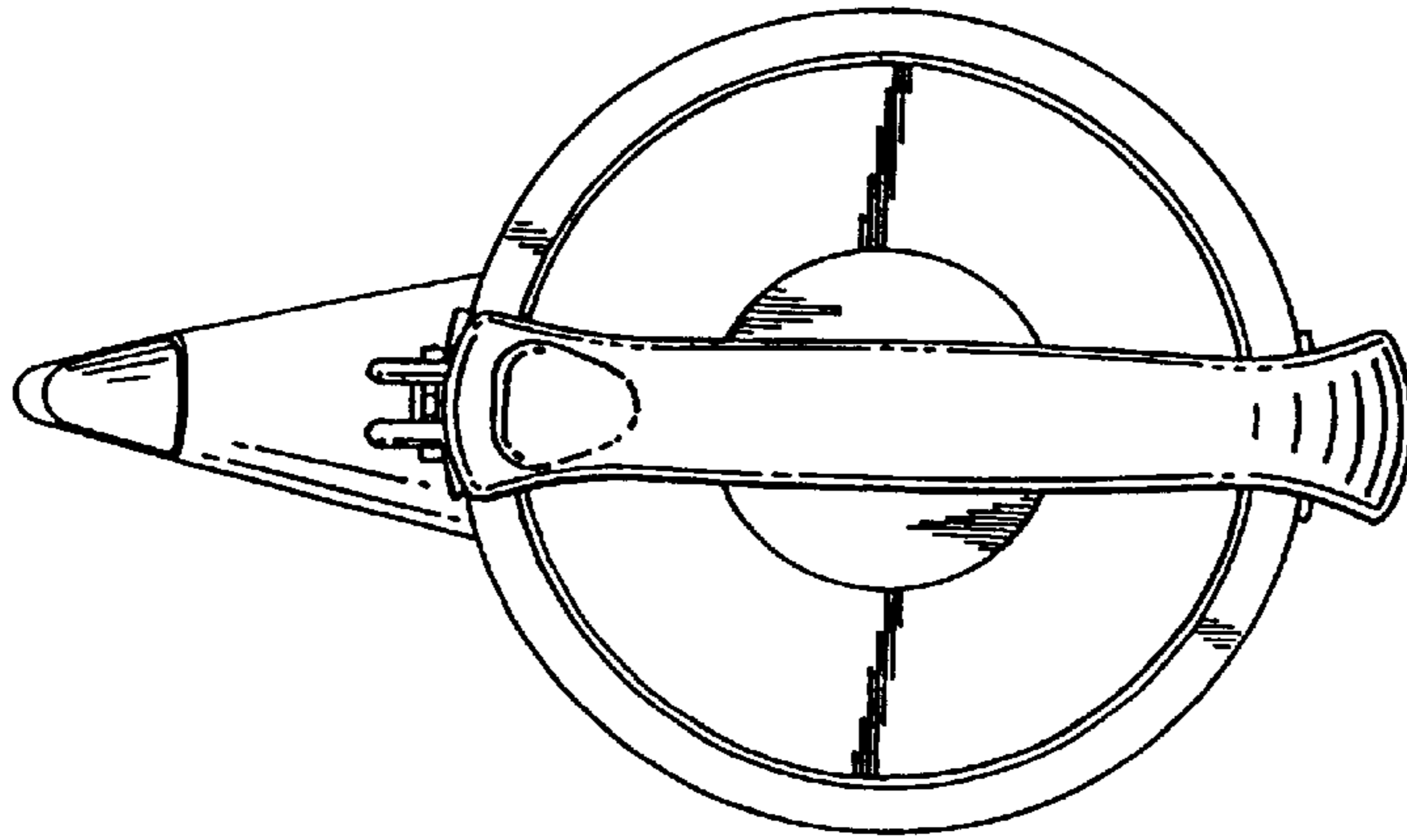


FIG. 4

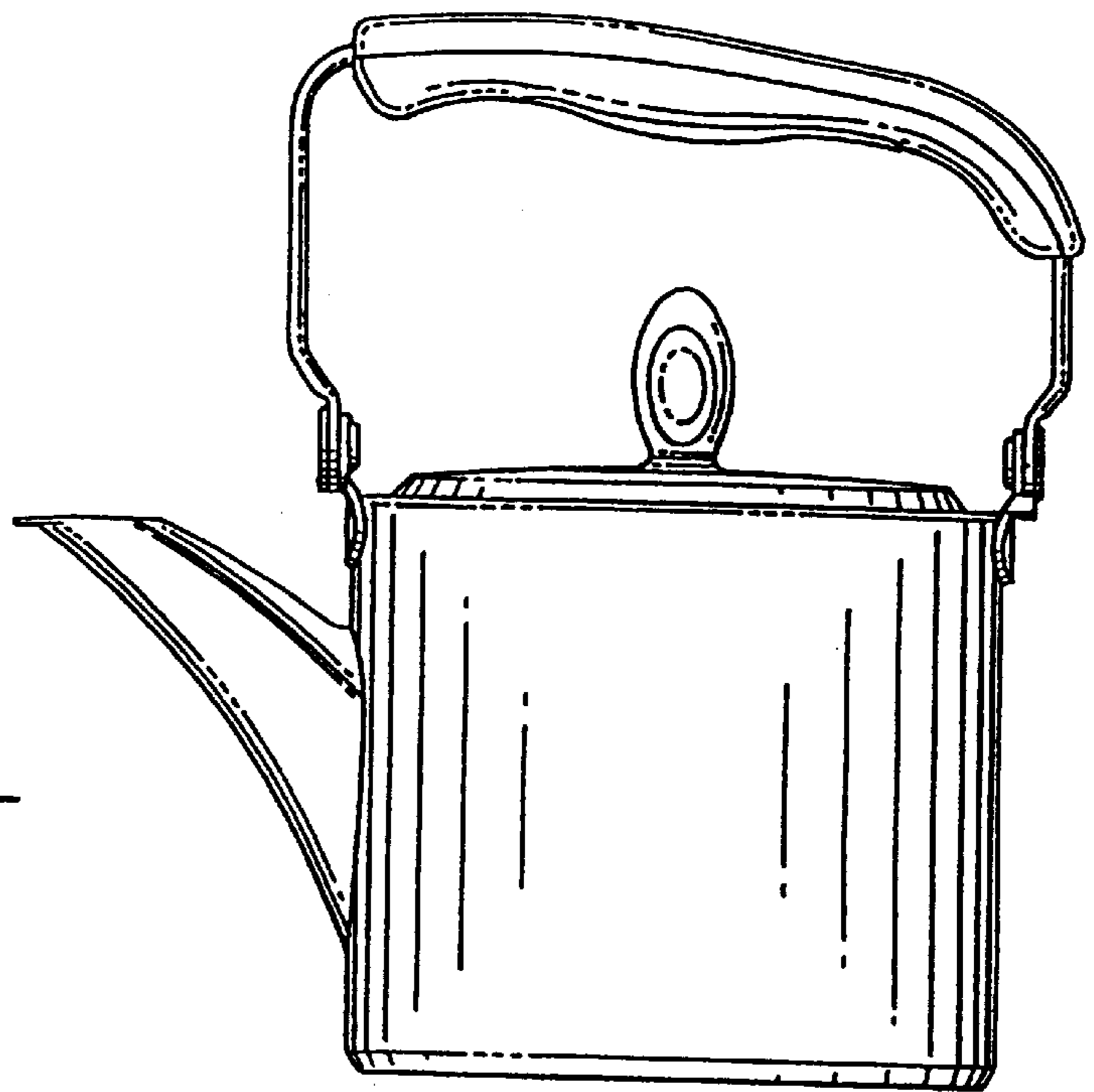


FIG. 5

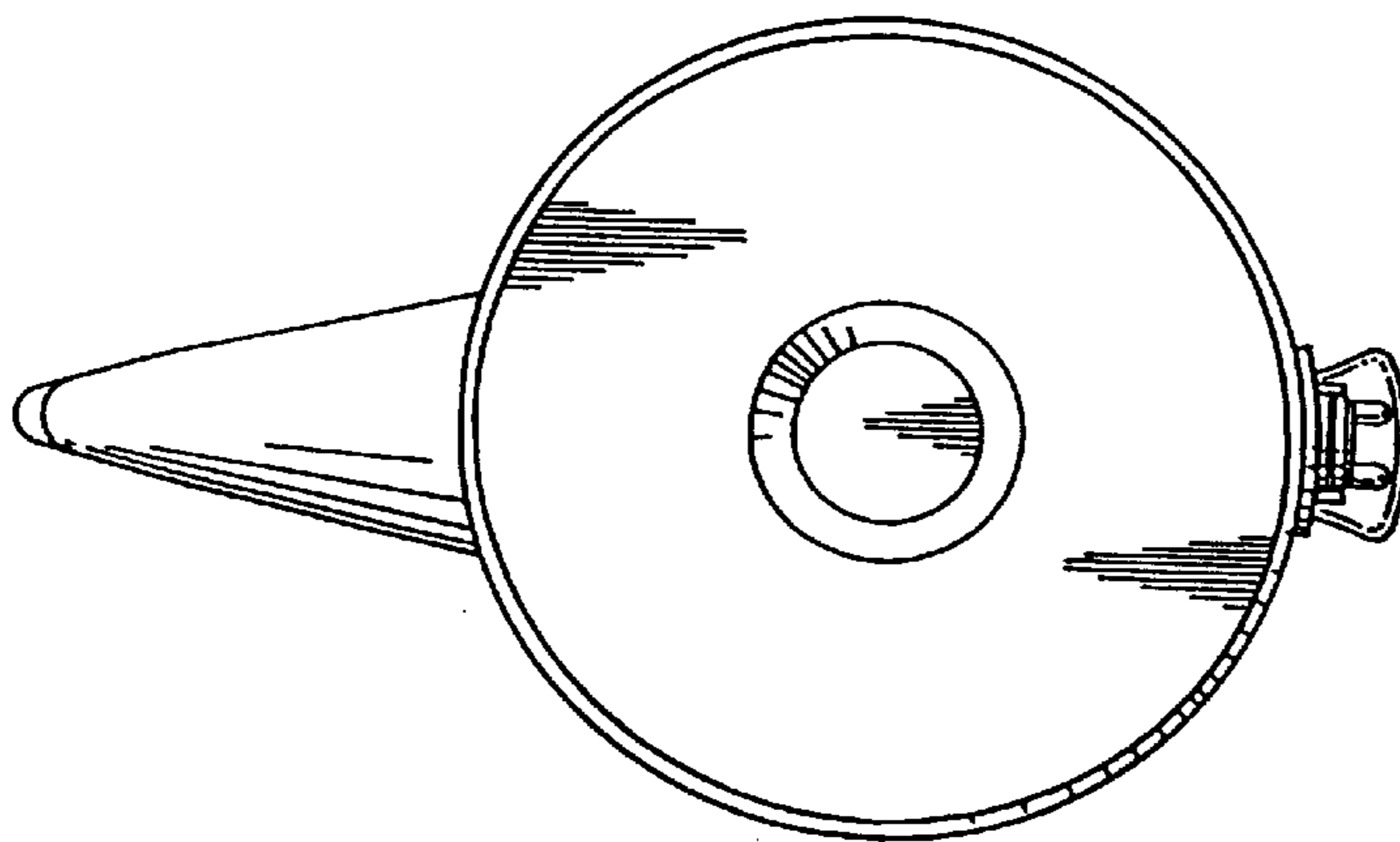


FIG. 6

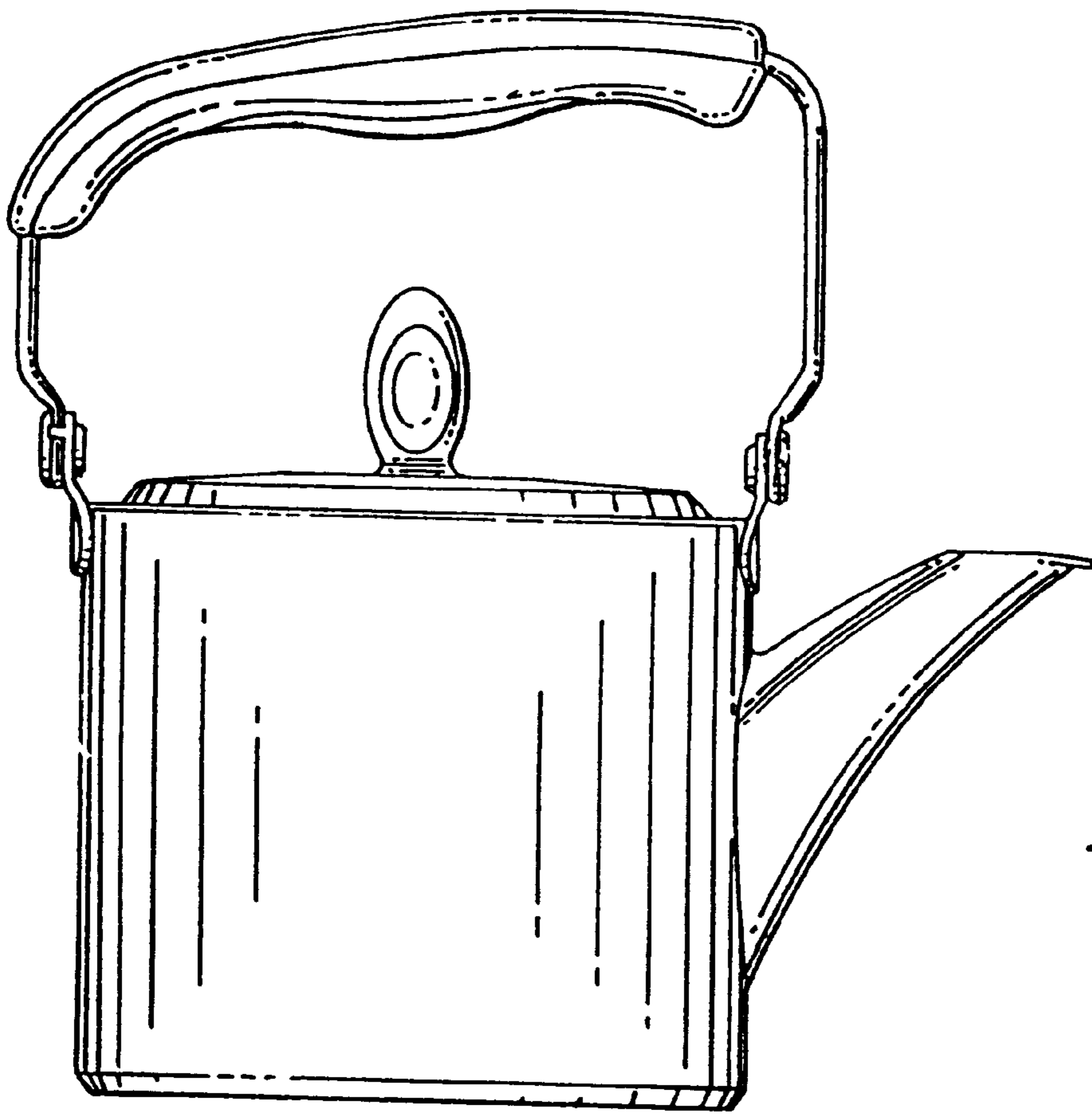


FIG. 7