



US00D432848S

United States Patent [19]

[11] **Patent Number: Des. 432,848**

Brady et al.

[45] **Date of Patent: ** Oct. 31, 2000**

[54] **COFFEE MAKER**

[75] Inventors: **Martin Brady**, Chesterfield; **Mark K. Romandy**, Midlothian, both of Va.

[73] Assignee: **Hamilton Beach/Proctor-Silex, Inc.**, Glen Allen, Va.

[**] Term: **14 Years**

[21] Appl. No.: **29/103,039**

[22] Filed: **Apr. 7, 1999**

[51] **LOC (7) Cl.** **07-01**

[52] **U.S. Cl.** **D7/309; D7/311**

[58] **Field of Search** **D7/309, 310, 311, D7/300; 222/129; 210/455; 219/438; 99/304, 283, 279**

[56] **References Cited**

U.S. PATENT DOCUMENTS

D. 248,721	8/1978	Sato et al. .	
D. 288,517	3/1987	Kahlcke .	
D. 346,298	4/1994	Brady et al.	D7/309
D. 358,736	5/1995	Kahlcke	D7/309
D. 359,195	6/1995	Mukai et al. .	
D. 371,270	7/1996	Bell et al. .	
D. 379,132	5/1997	Brady et al.	D7/309
D. 387,944	12/1997	Hippen	D7/309
D. 387,946	12/1997	Hippen	D7/309
D. 403,199	12/1998	Micoley	D7/309
D. 403,551	1/1999	Seiffert	D7/309
D. 404,961	2/1999	Carrere	D7/309
D. 407,261	3/1999	Lucas et al. .	
D. 419,362	1/2000	Bouhuys	D7/306
5,133,247	7/1992	Pastrick .	
5,485,778	1/1996	Ullmann .	
5,586,485	12/1996	Baumann .	
5,684,759	11/1997	Huang et al. .	

OTHER PUBLICATIONS

See Information Disclosure Statement regarding offer for sale less than one year prior to filing date.

Color copies of front cover, rear cover, and p. 32 of Chef's Catalog Spring 1999 issue published by Chef's 1998.

Photocopies of front cover, rear cover, and p. 211 of Best General Merchandise Catalog 1990/91.

Primary Examiner—M. N. Pandozzi
Attorney, Agent, or Firm—Roger S. Dybvig

[57] **CLAIM**

The ornamental design for a coffee maker, as shown and described.

DESCRIPTION

FIG. 1 is a perspective view as seen from the top, front, and left side of a coffee maker showing a first embodiment of our new design;

FIG. 2 is a front elevational view thereof;

FIG. 3 is a left side elevational view thereof;

FIG. 4 is a rear elevational view thereof;

FIG. 5 is a right side elevational view thereof;

FIG. 6 is a top plan view thereof;

FIG. 7 is a perspective view as seen from the top, front, and left side of a coffee maker showing a second embodiment of our new design;

FIG. 8 is a front elevational view thereof;

FIG. 9 is a left side elevational view thereof;

FIG. 10 is a rear elevational view thereof;

FIG. 11 is a right side elevational view thereof; and,

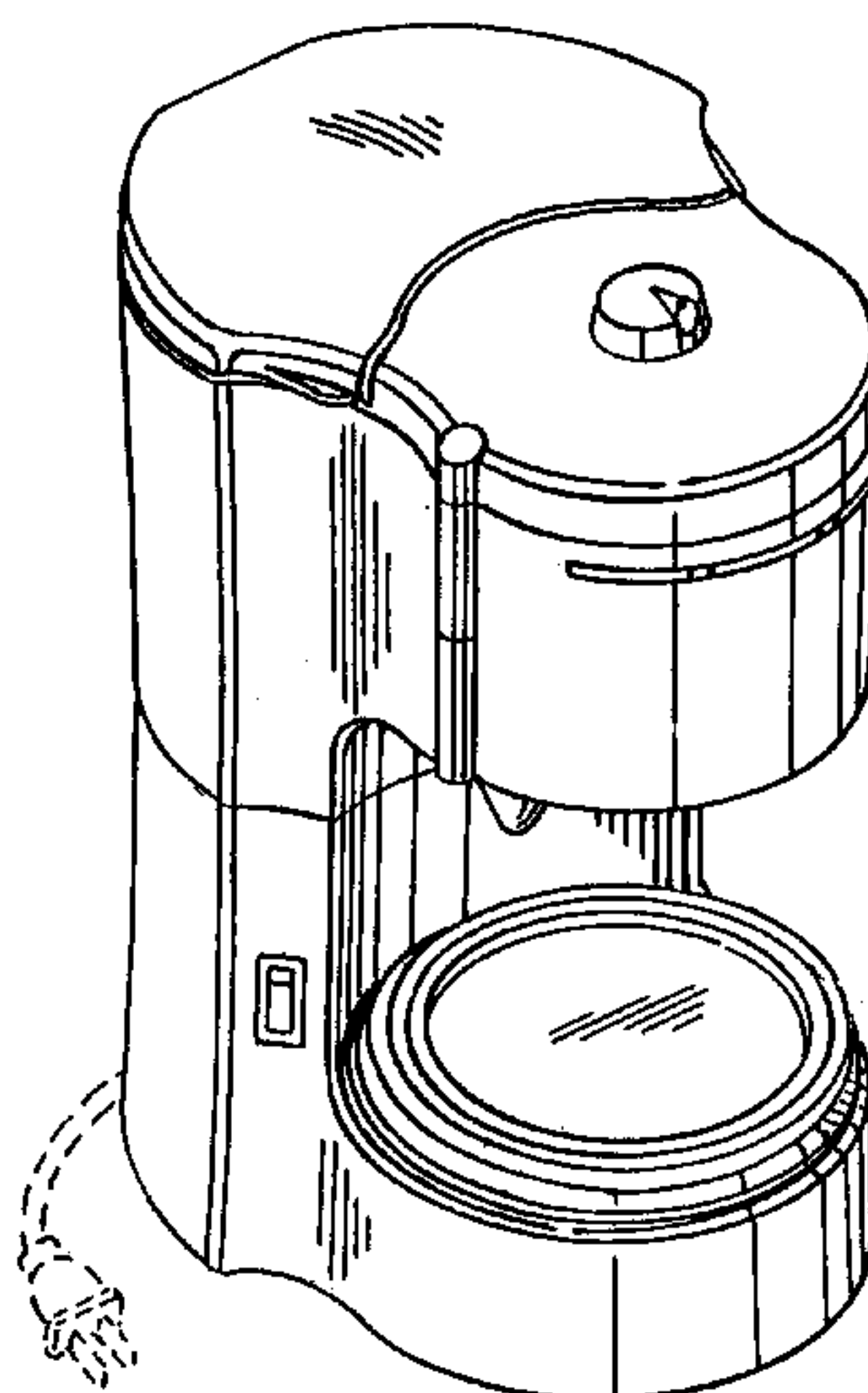
FIG. 12 is a top plan view thereof.

The broken lines in FIGS. 1 and 7 showing a power cord are used for illustrative purposes only and form no part of the claimed design.

The broken lines in FIGS. 2 through 5 and FIGS. 8 through 11 showing feet are used for illustrative purposes only and form no part of the claimed design.

The broken lines in FIG. 7 showing a brew selector, a pause serve mechanism, and an on/off switch are used for illustrative purposes only and form no part of the claimed design.

1 Claim, 4 Drawing Sheets



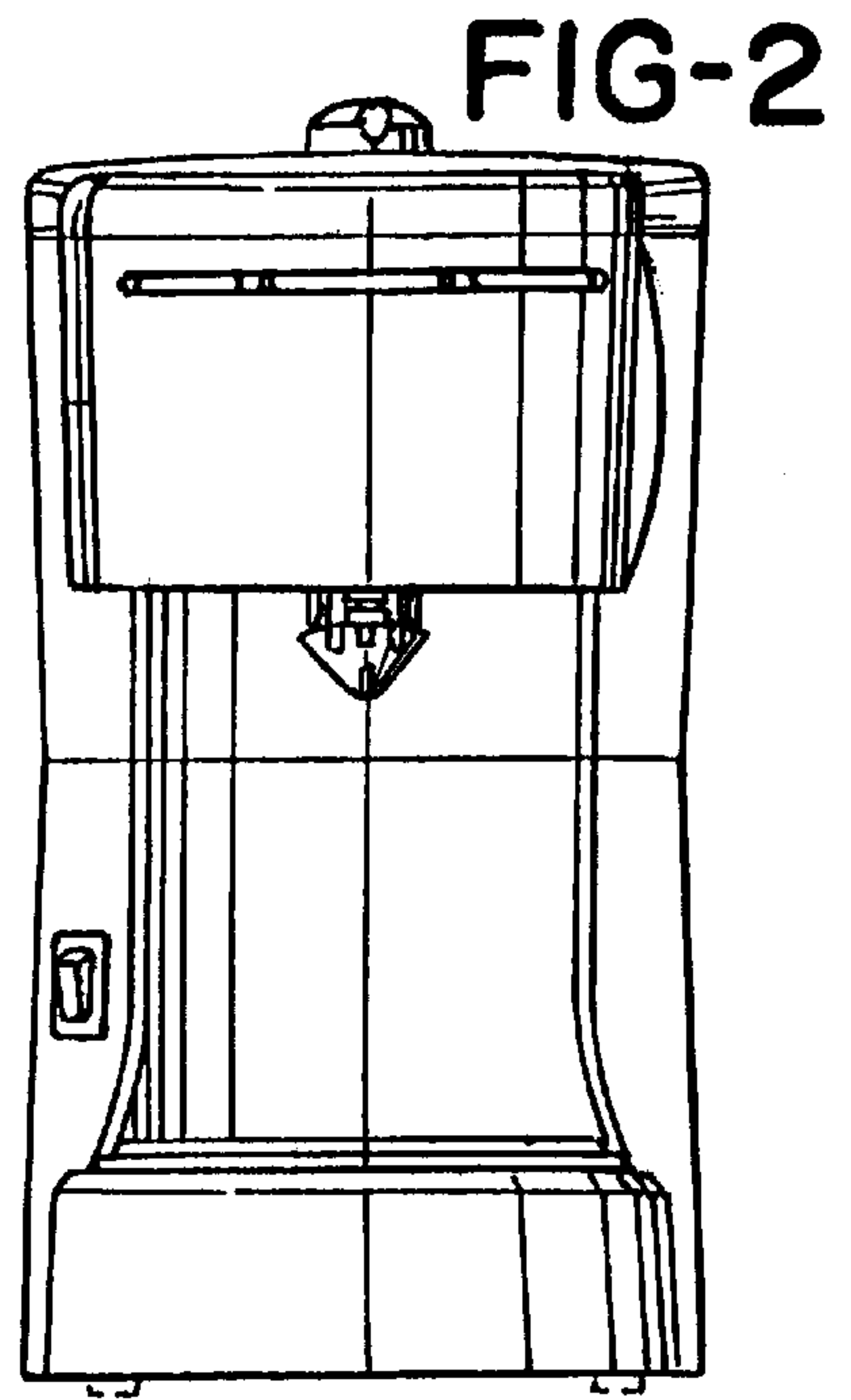
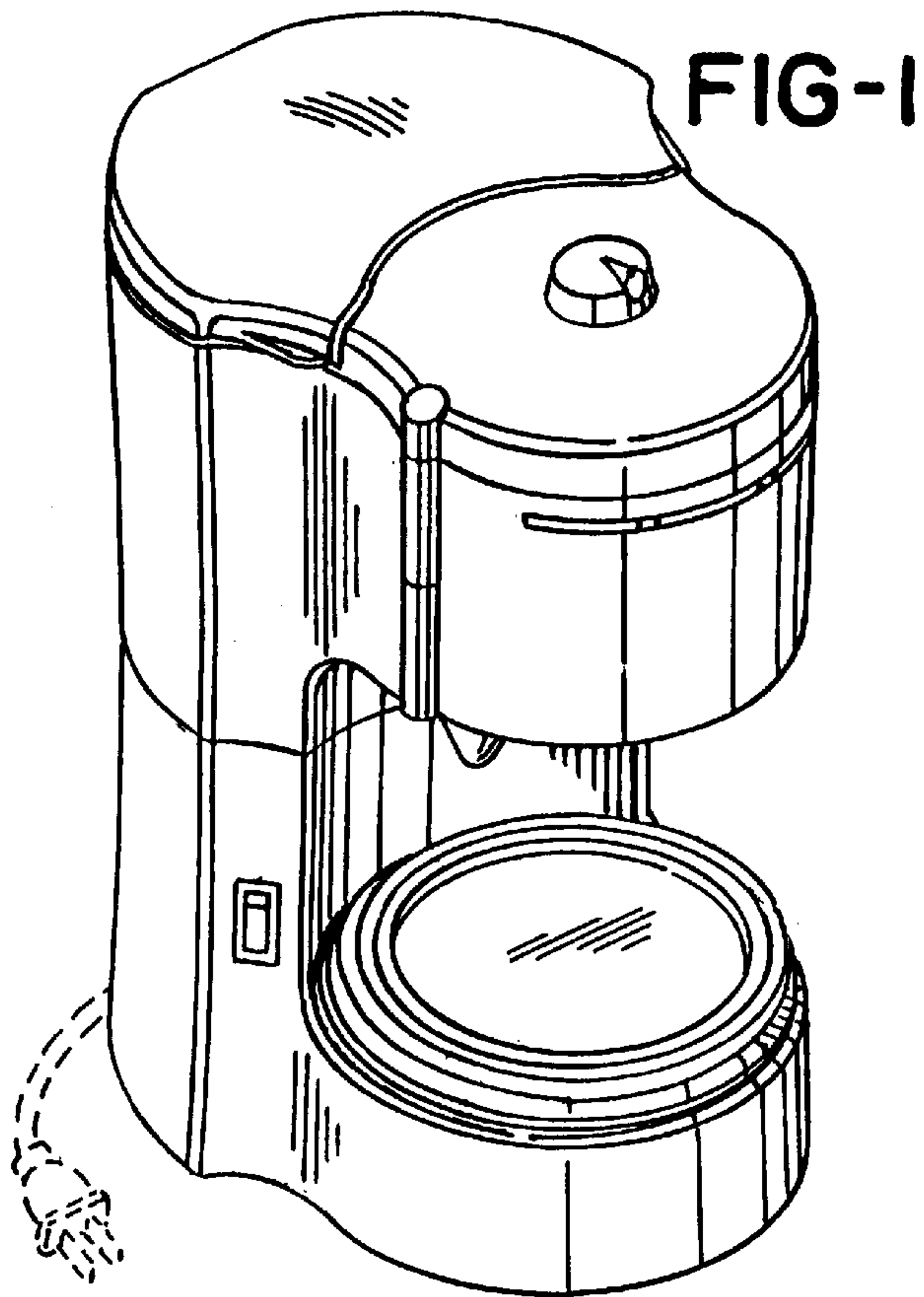


FIG-3

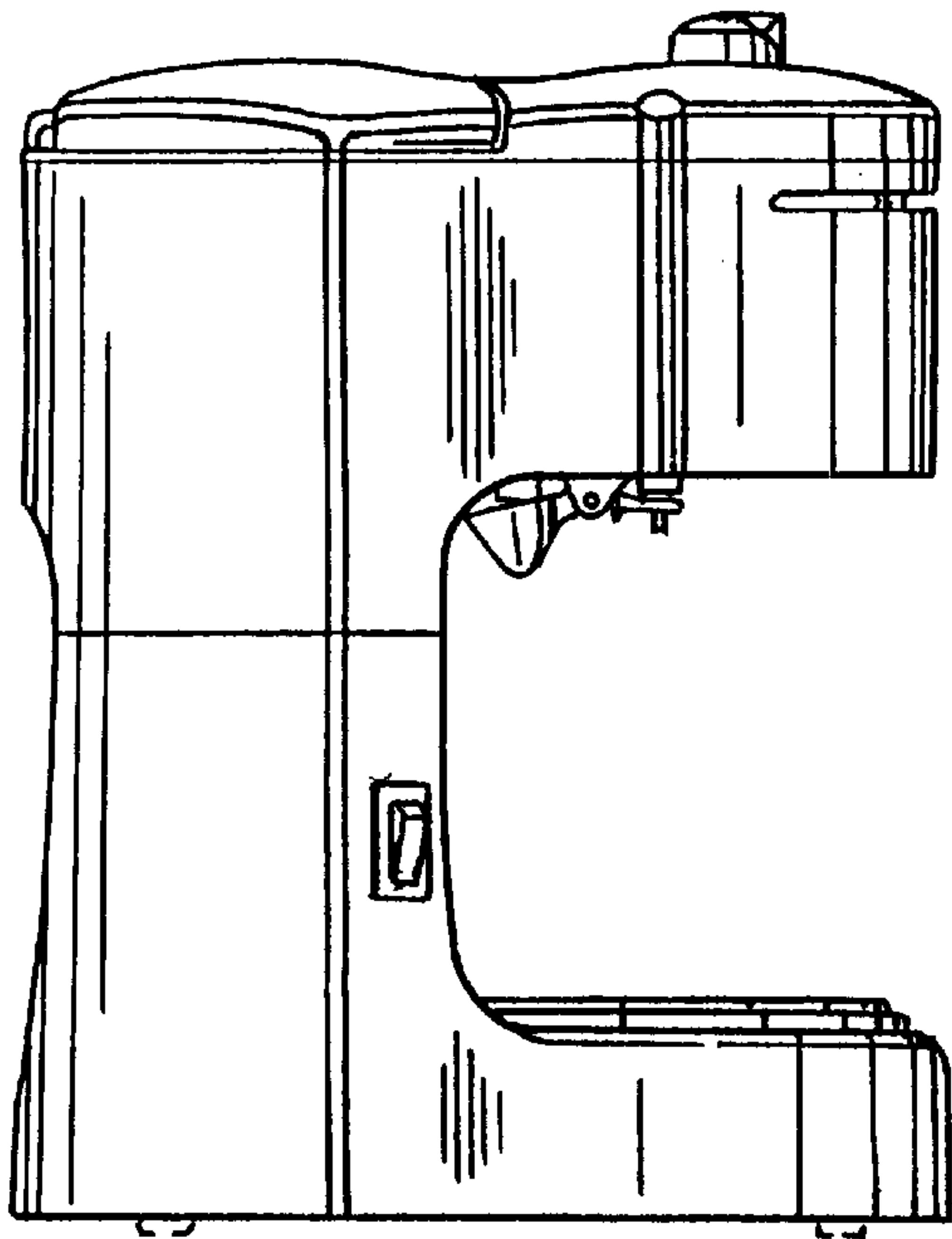


FIG-4

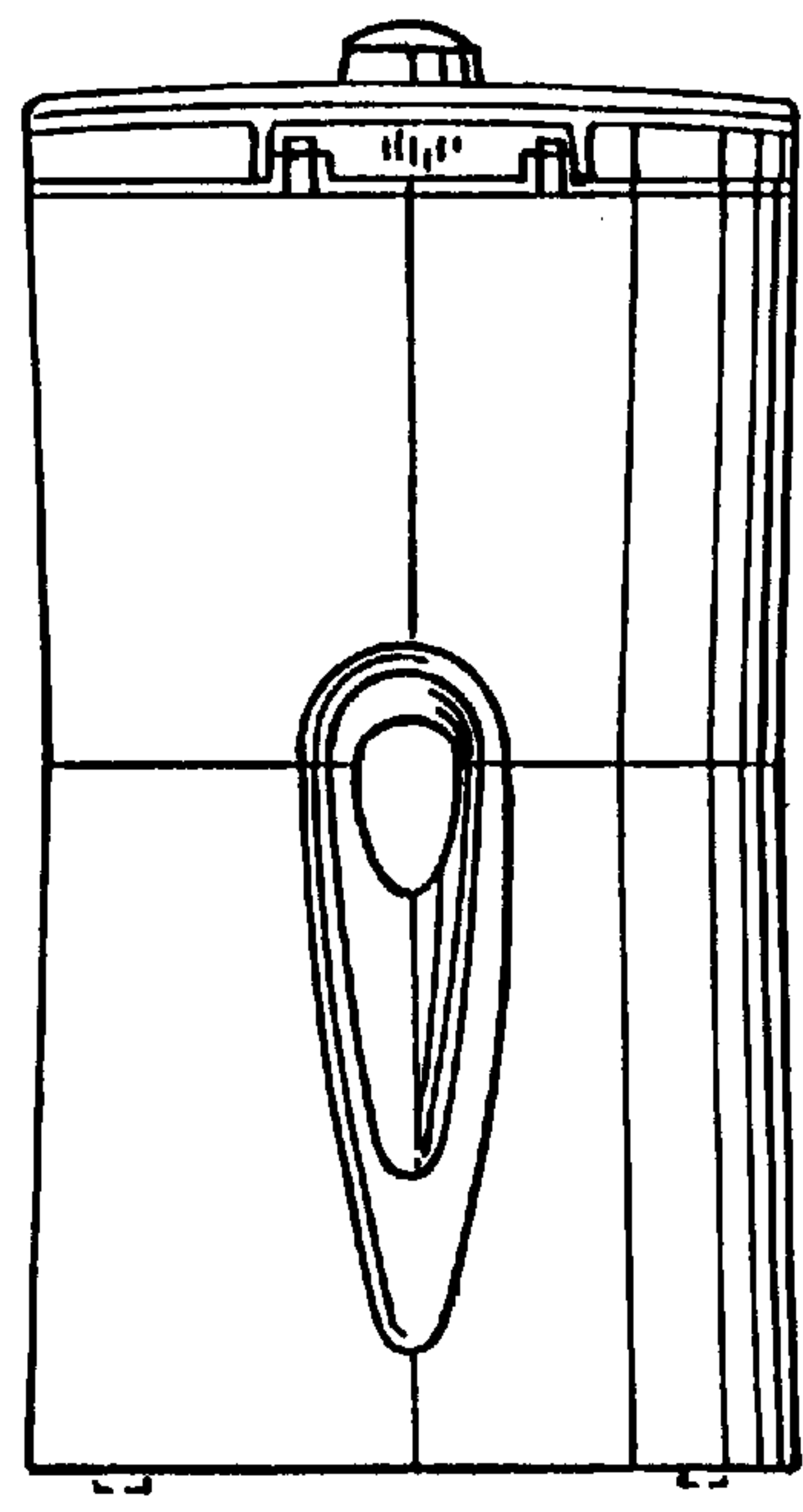


FIG-5

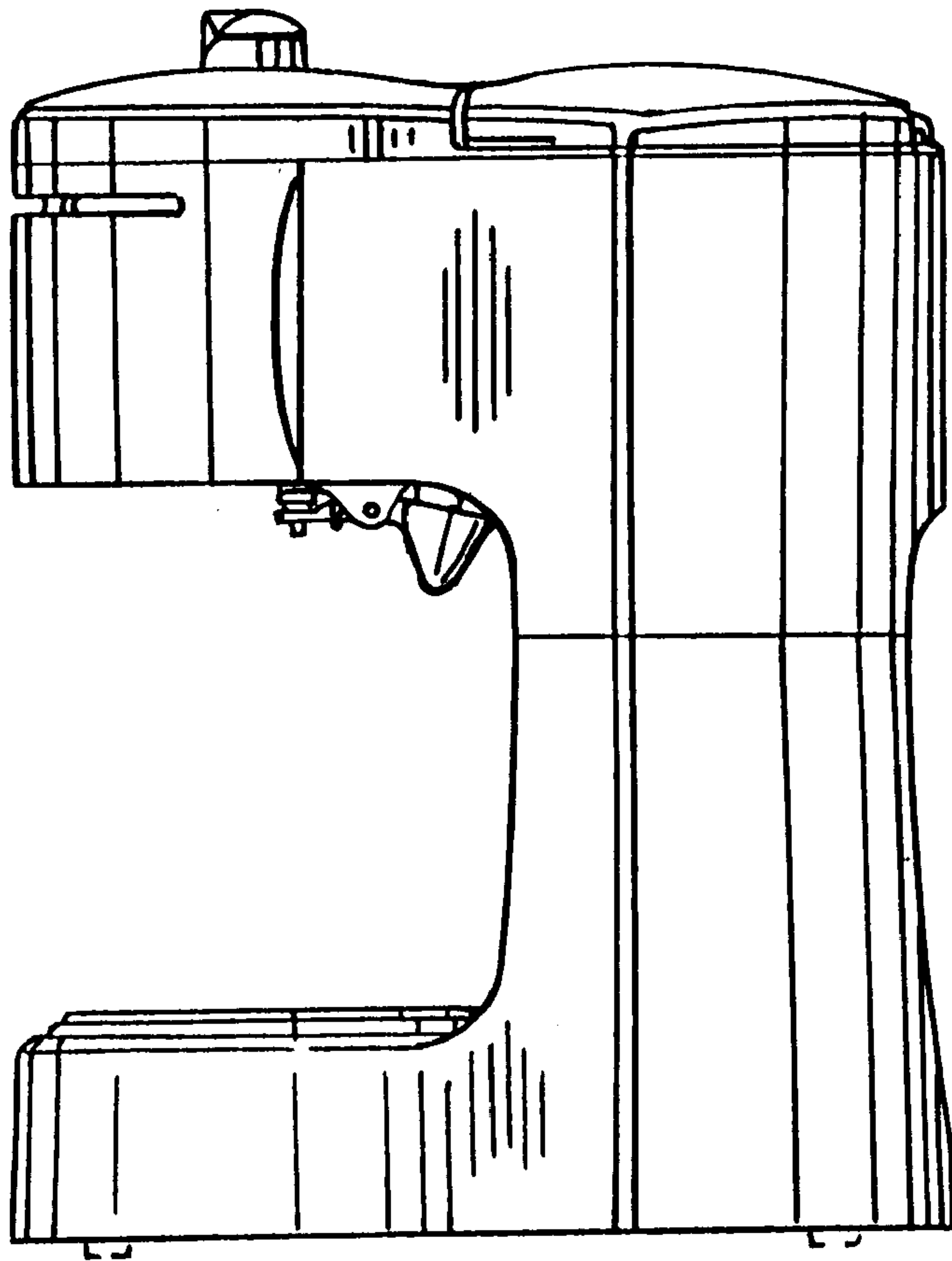
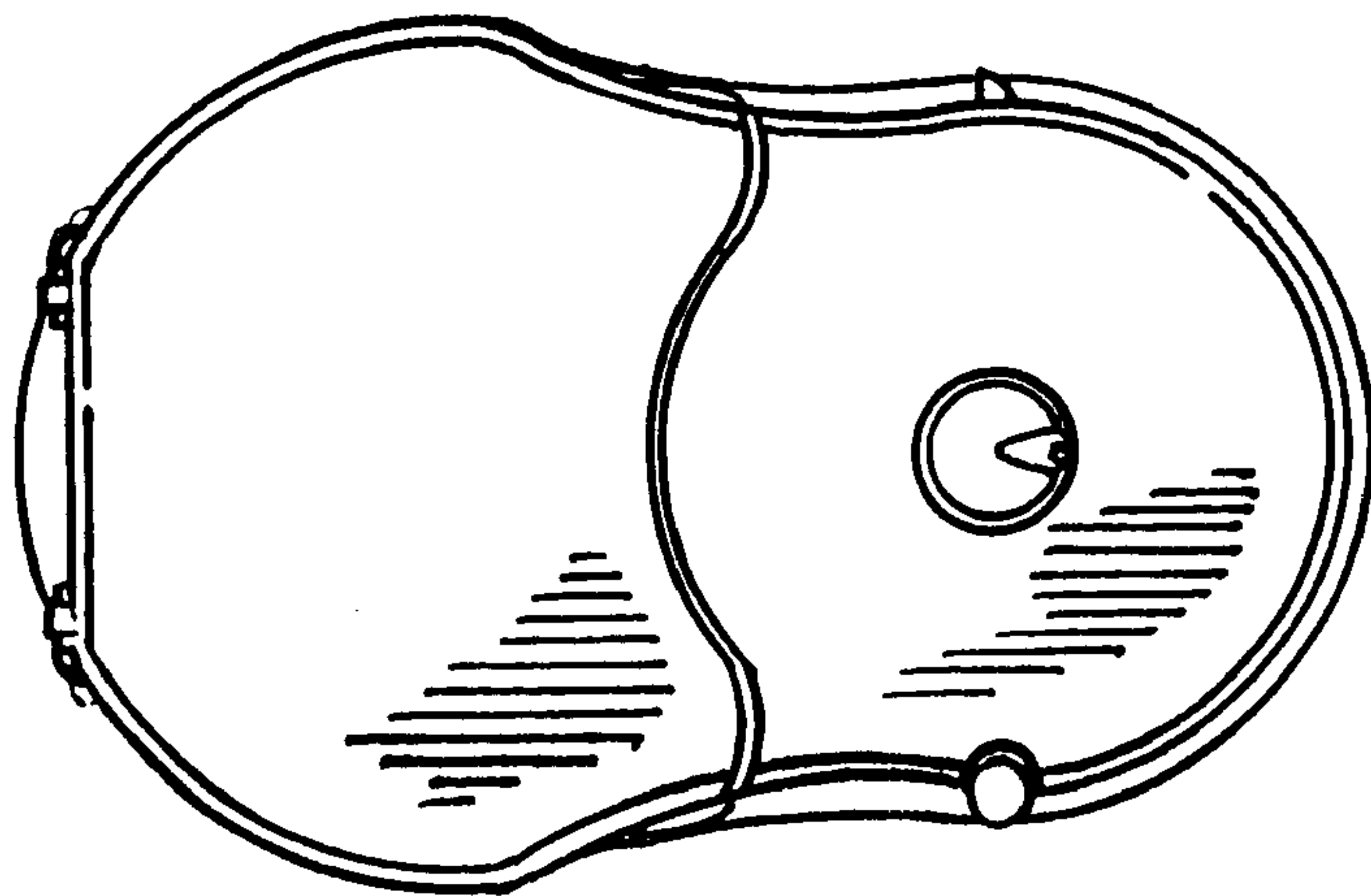


FIG-6



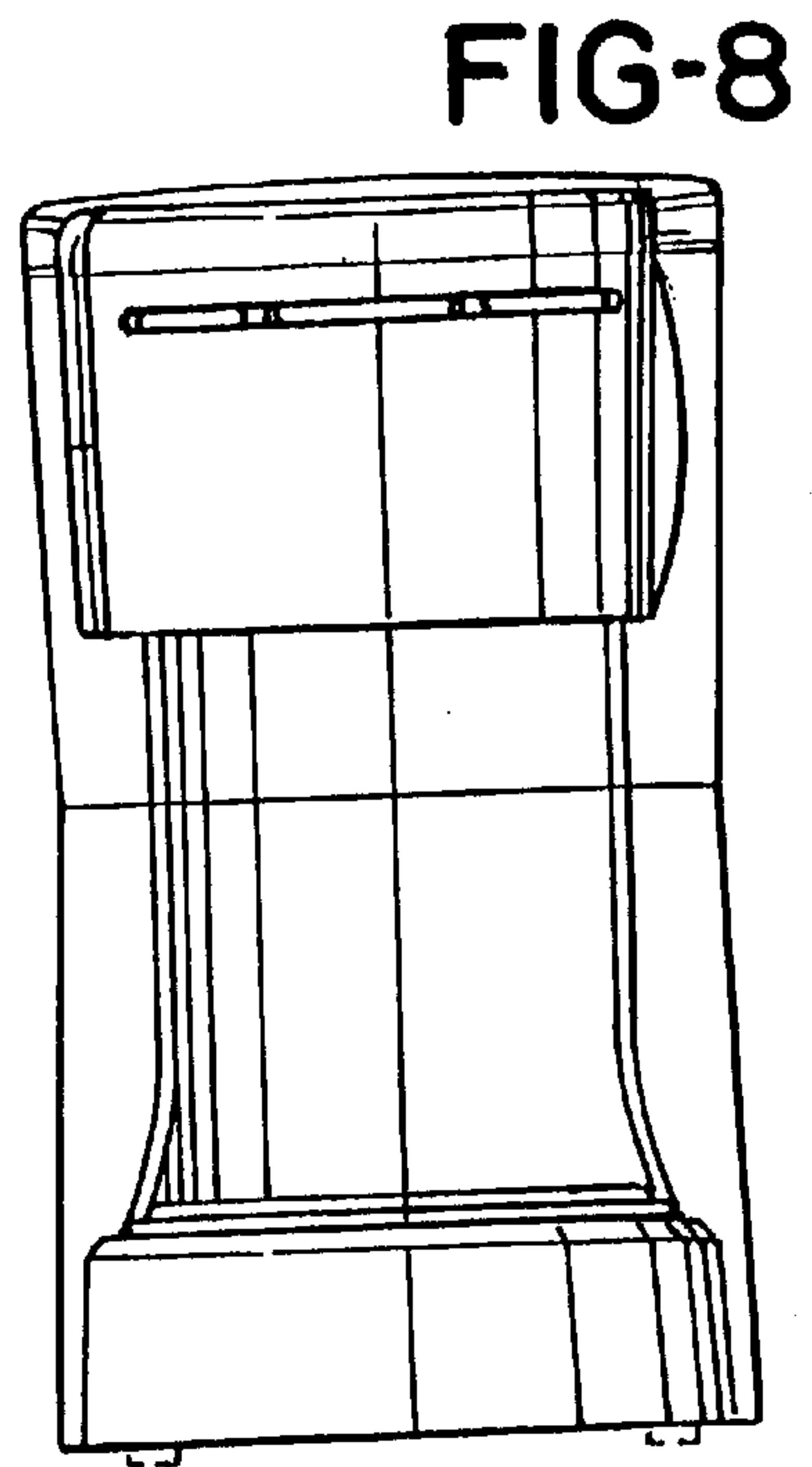
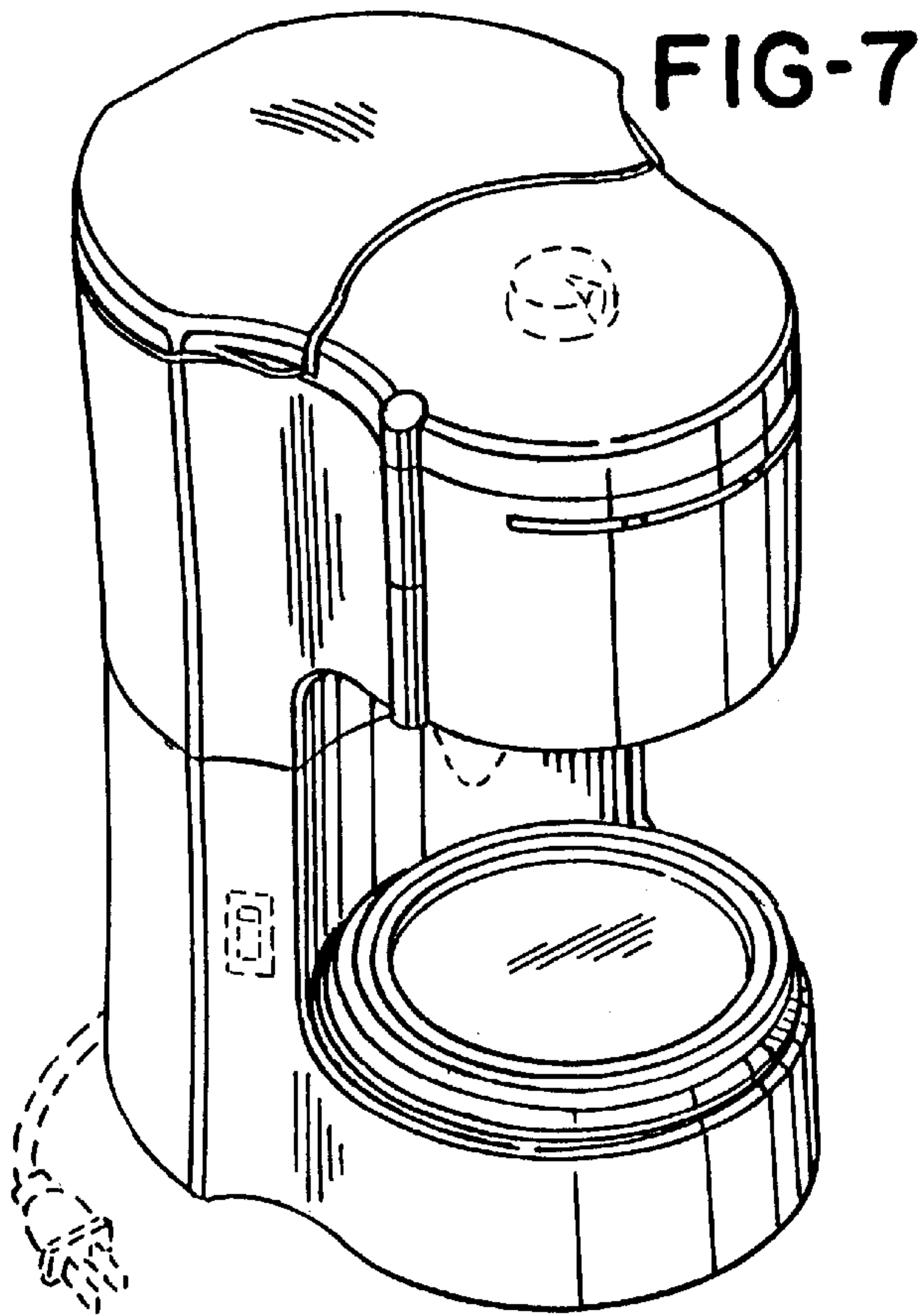


FIG-9

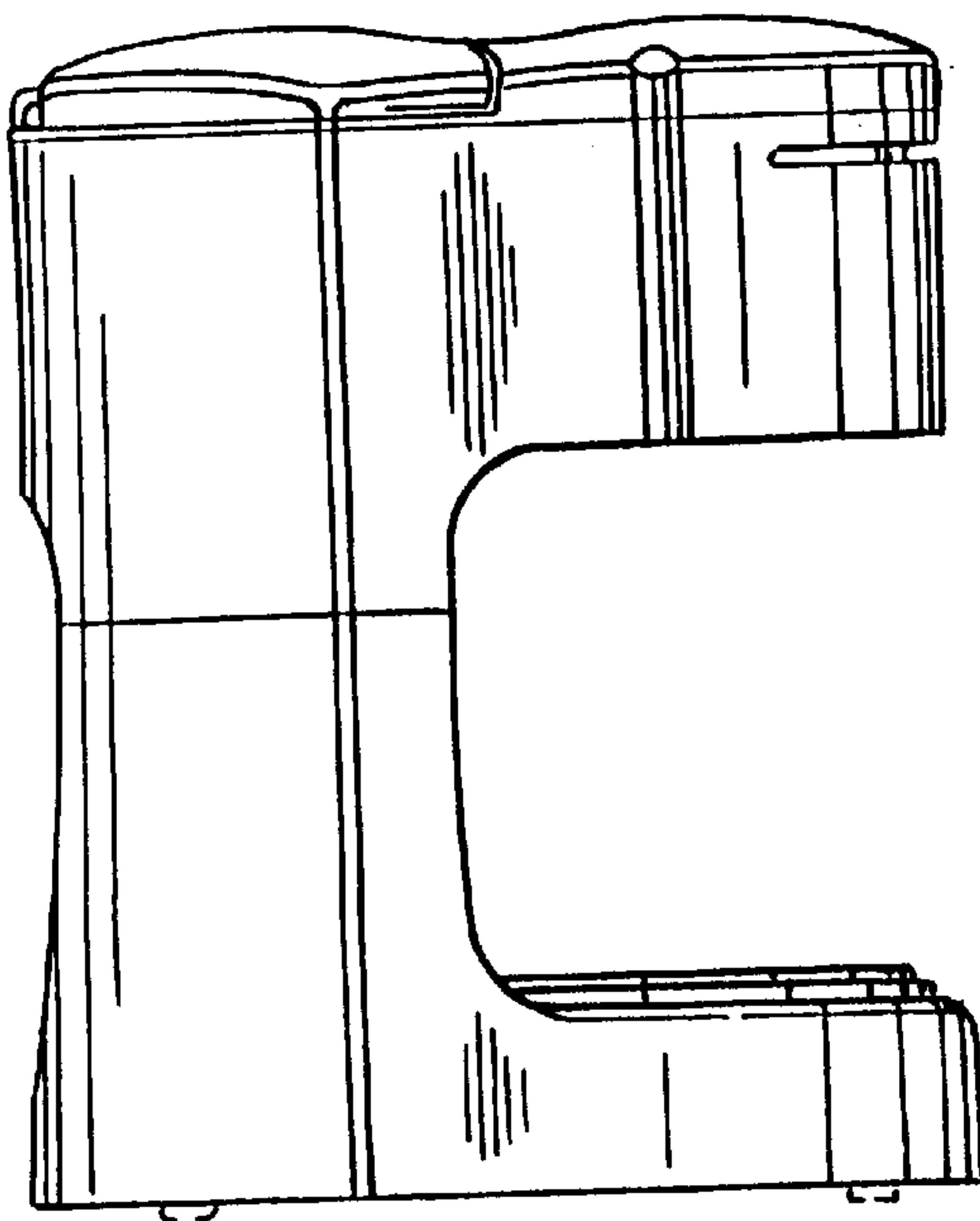


FIG-10

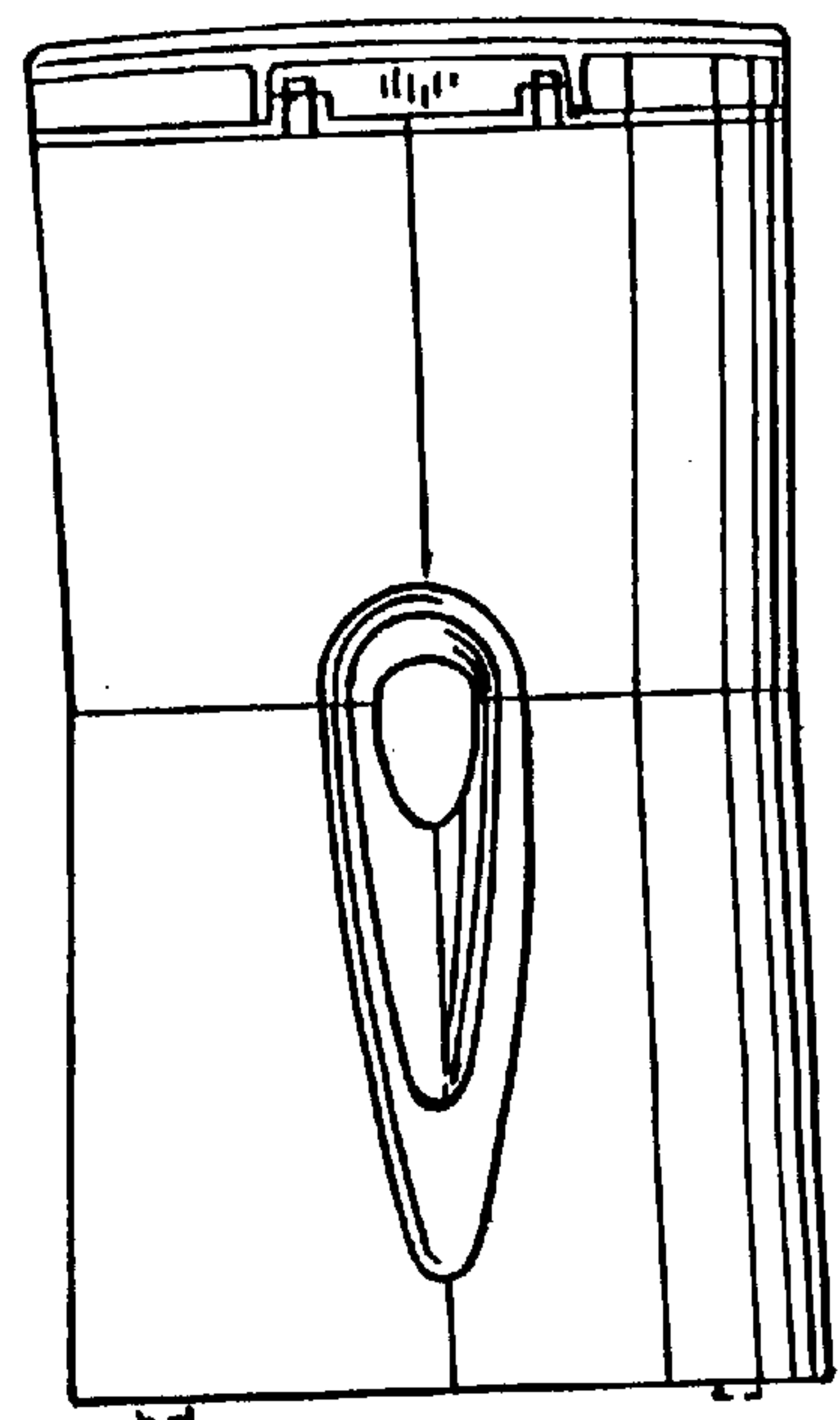


FIG-11

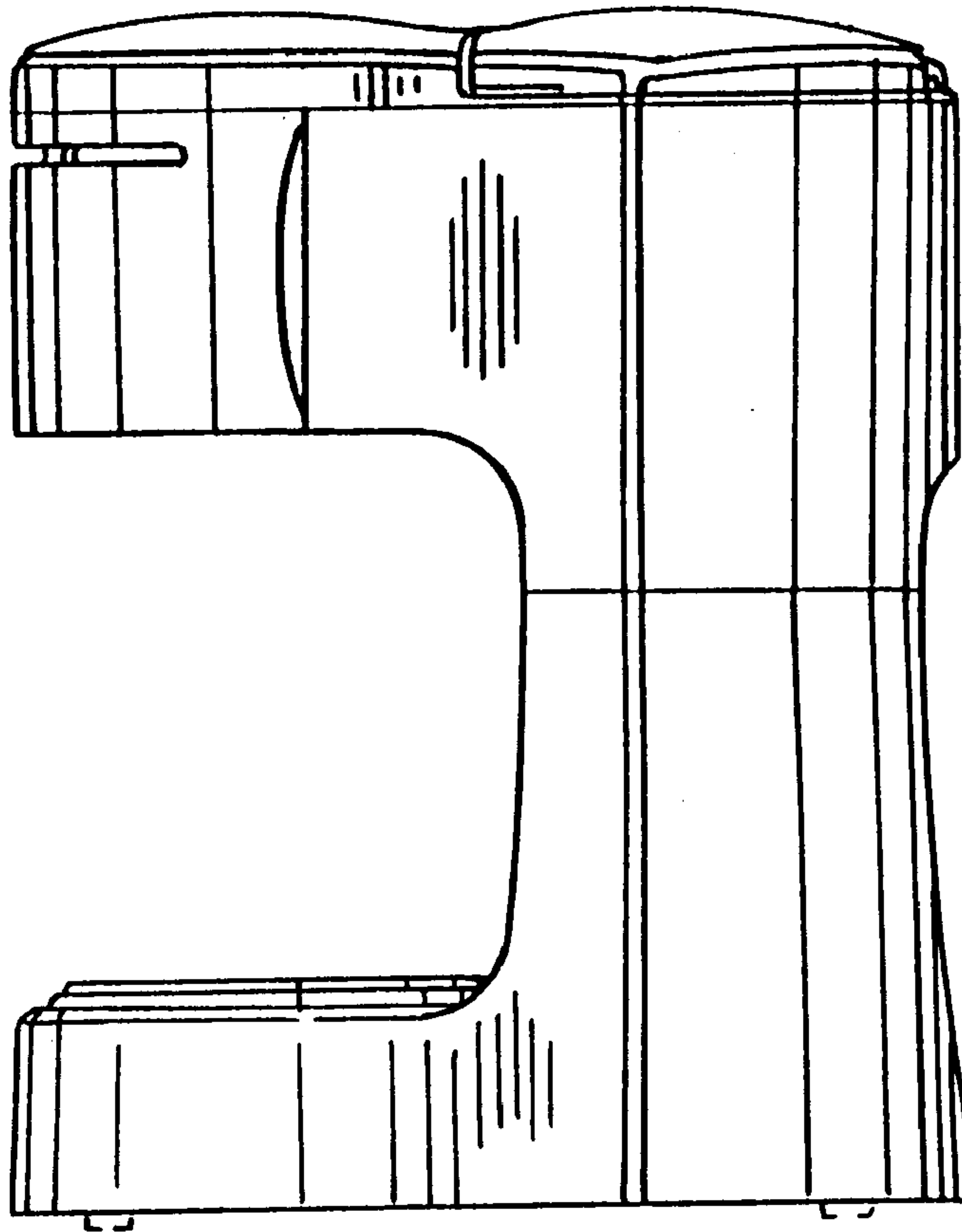


FIG-12

