



US00D432843S

United States Patent [19]

Gastelum et al.

[11] **Patent Number: Des. 432,843**

[45] **Date of Patent: ** Oct. 31, 2000**

[54] **TOWEL BAR**

[75] Inventors: **José Gastelum**, Verona; **Leszek Solowiej**, Montville, both of N.J.

[73] Assignee: **Melard Manufacturing Corp.**, Passaic, N.J.

[**] Term: **14 Years**

[21] Appl. No.: **29/118,562**

[22] Filed: **Feb. 9, 2000**

[51] **LOC (7) Cl.** **06-04**

[52] **U.S. Cl.** **D6/549**

[58] **Field of Search** D6/546, 549, 550, D6/518, 522, 523; 211/13.1, 16, 85.3, 86, 87, 181.1, 182; 248/251, 302, 309.1

[56] **References Cited**

U.S. PATENT DOCUMENTS

- D. 058,557 8/1921 Dudley D6/549
- D. 131,506 3/1942 Dreyfuss D6/549
- D. 167,892 10/1952 Hallward D6/549
- D. 186,098 9/1959 Smith D6/549

- D. 291,639 9/1987 Chap D6/549
- D. 334,315 3/1993 Bengston D6/546
- D. 418,345 1/2000 Chen D6/550
- 2,893,676 7/1959 Connors et al. D6/550 X

Primary Examiner—Brian N. Vinson
Attorney, Agent, or Firm—Edgar A. Zarins; Lloyd D. Doigan

[57] **CLAIM**

The ornamental design for a towel bar, as shown and described.

DESCRIPTION

FIG. 1 is a perspective view of a towel bar showing our design;

FIG. 2 is a front elevation thereof;

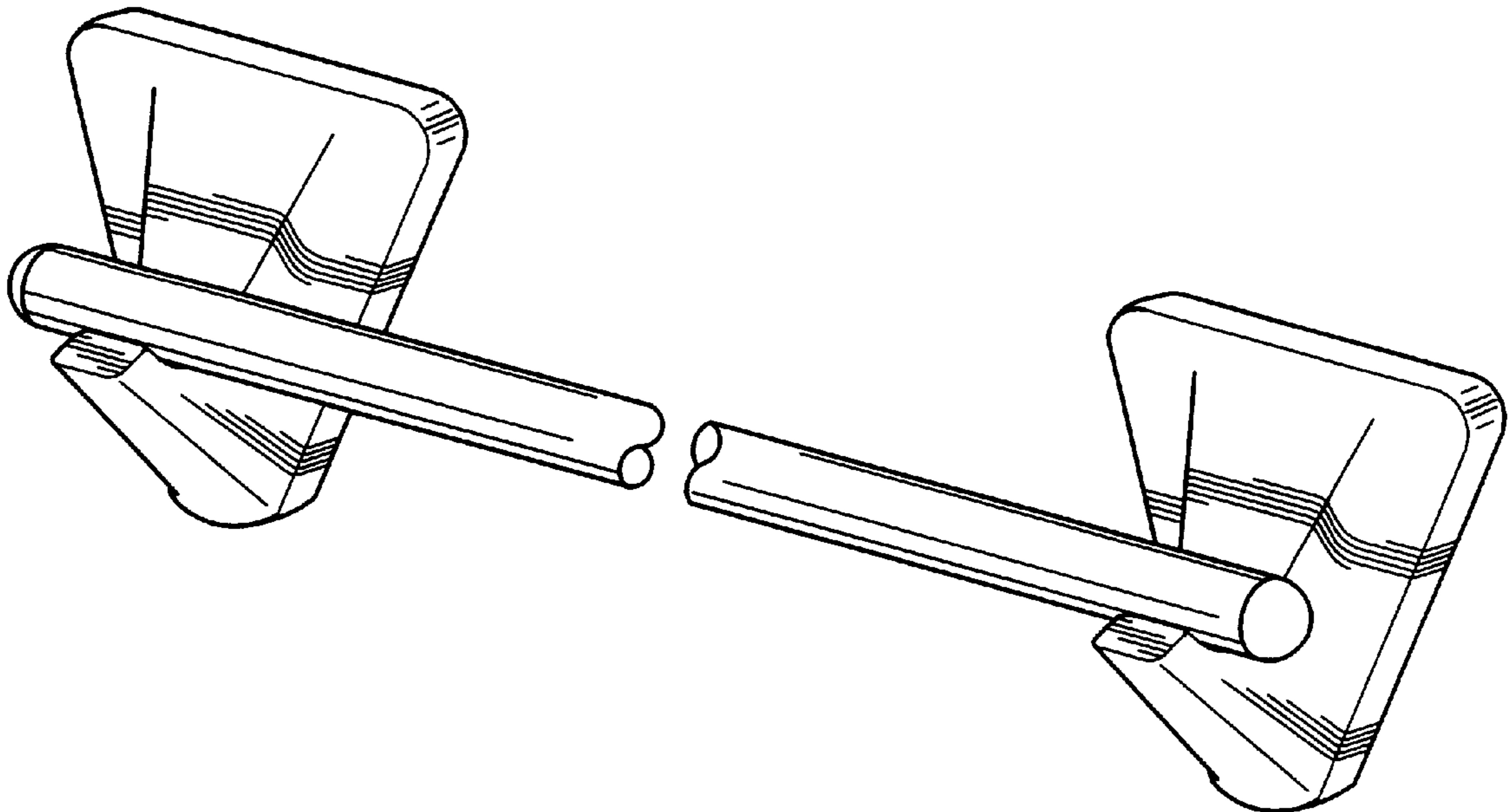
FIG. 3 is a top plan view thereof;

FIG. 4 is a bottom plan view thereof; and,

FIG. 5 is a left side view thereof, the opposite side being a mirror image of the side shown.

The bar portion is shown broken-away in the views to indicate indeterminate length.

1 Claim, 2 Drawing Sheets



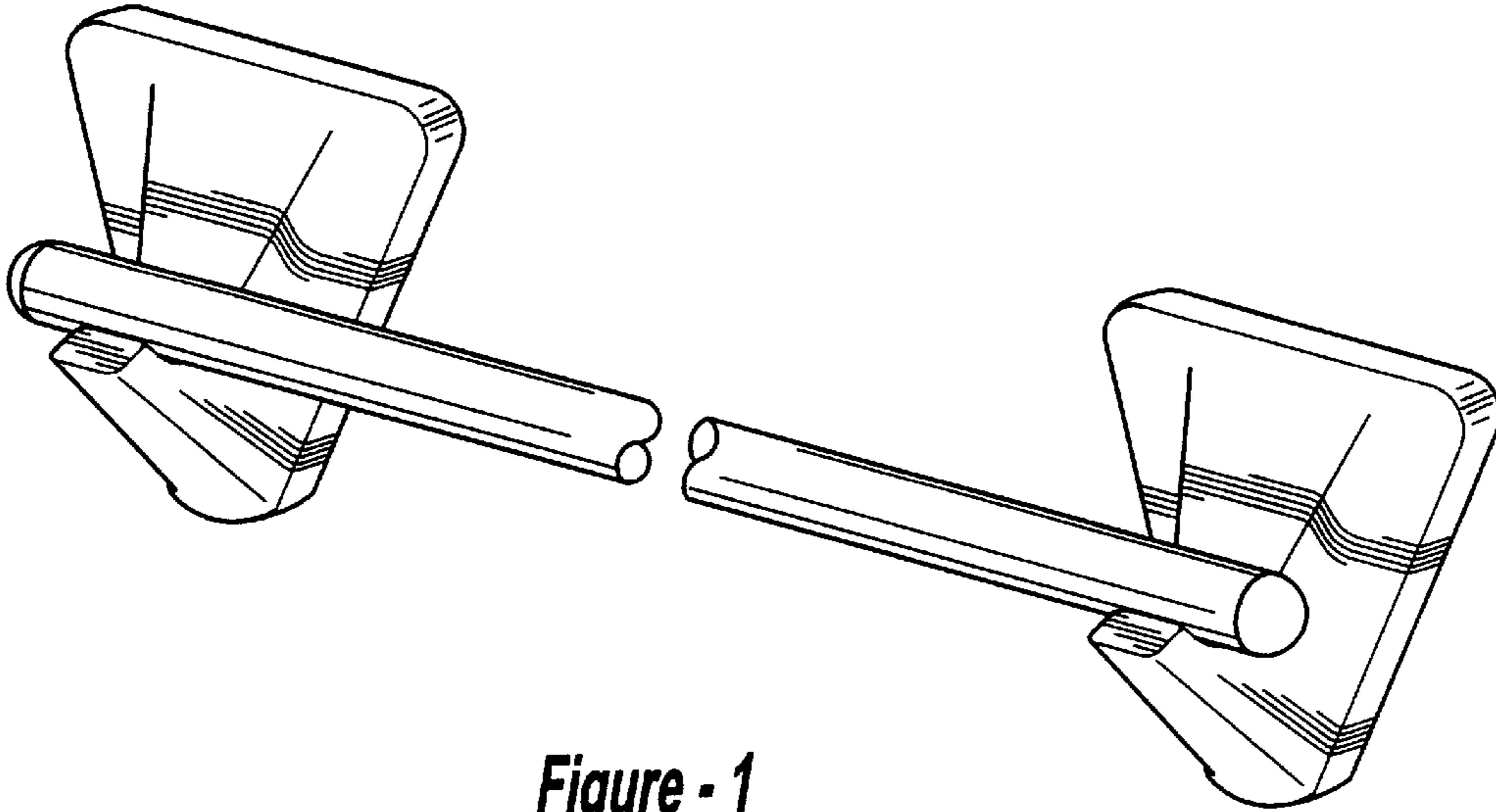


Figure - 1

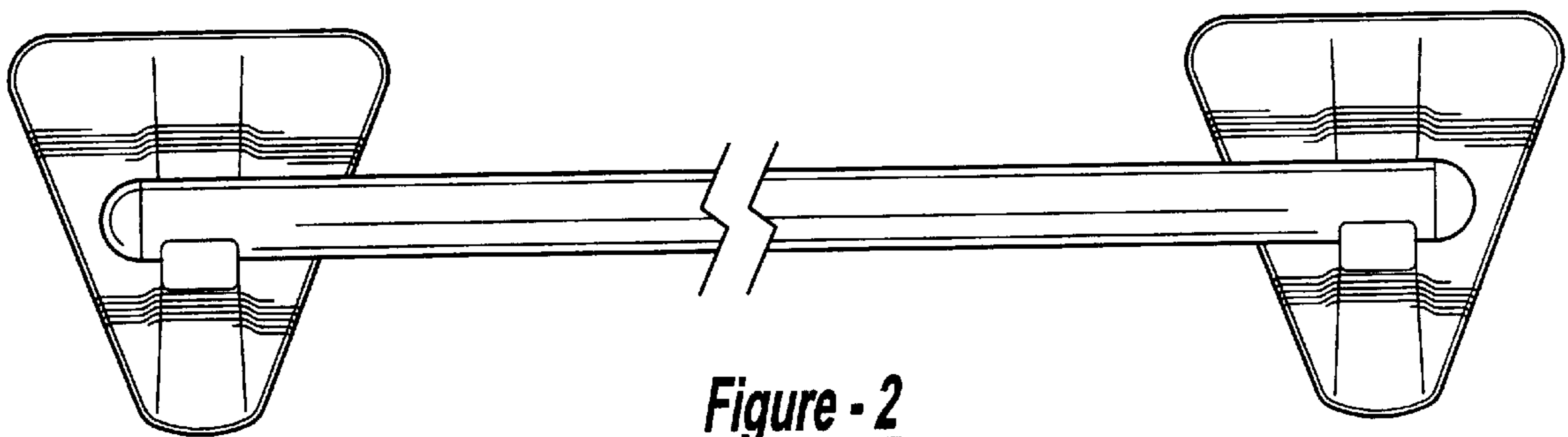


Figure - 2

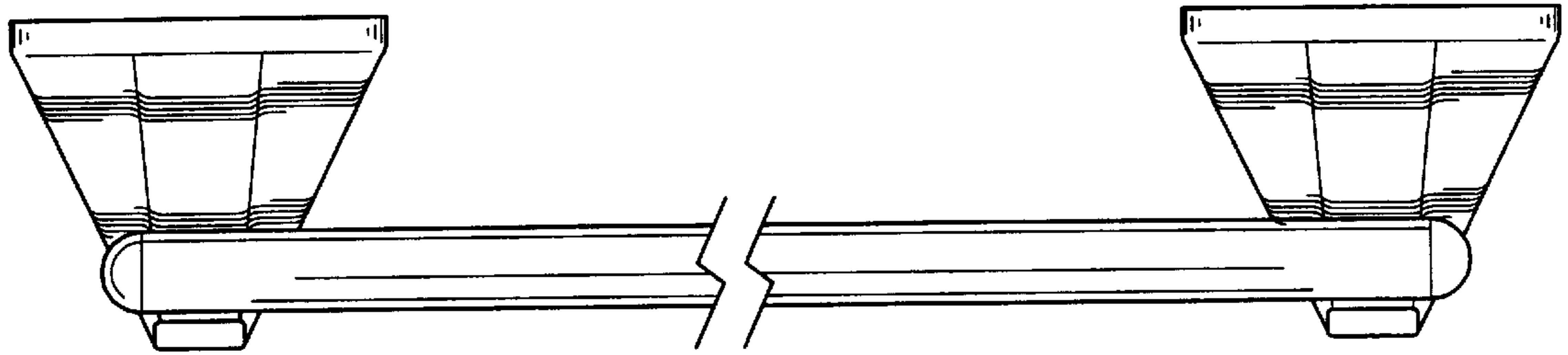


Figure - 3

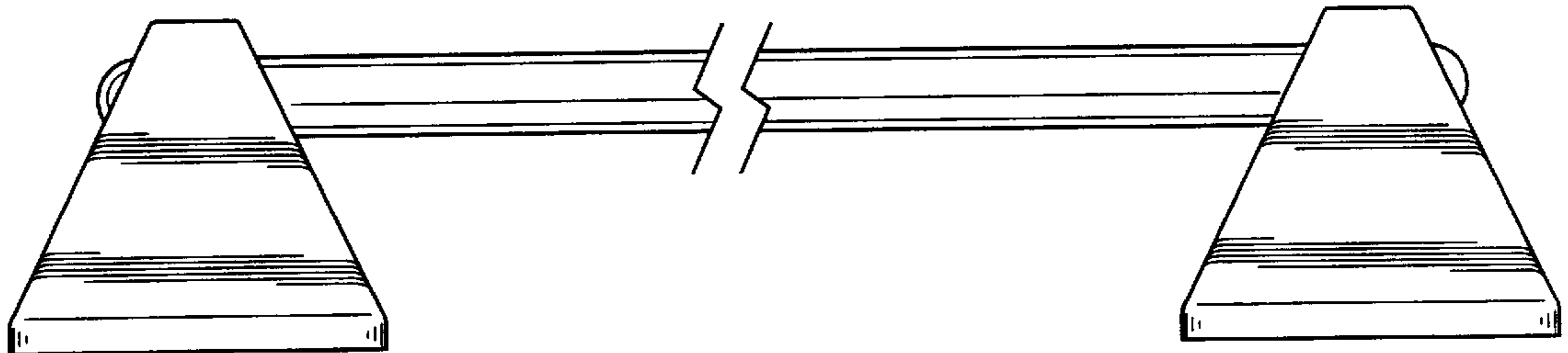


Figure - 4

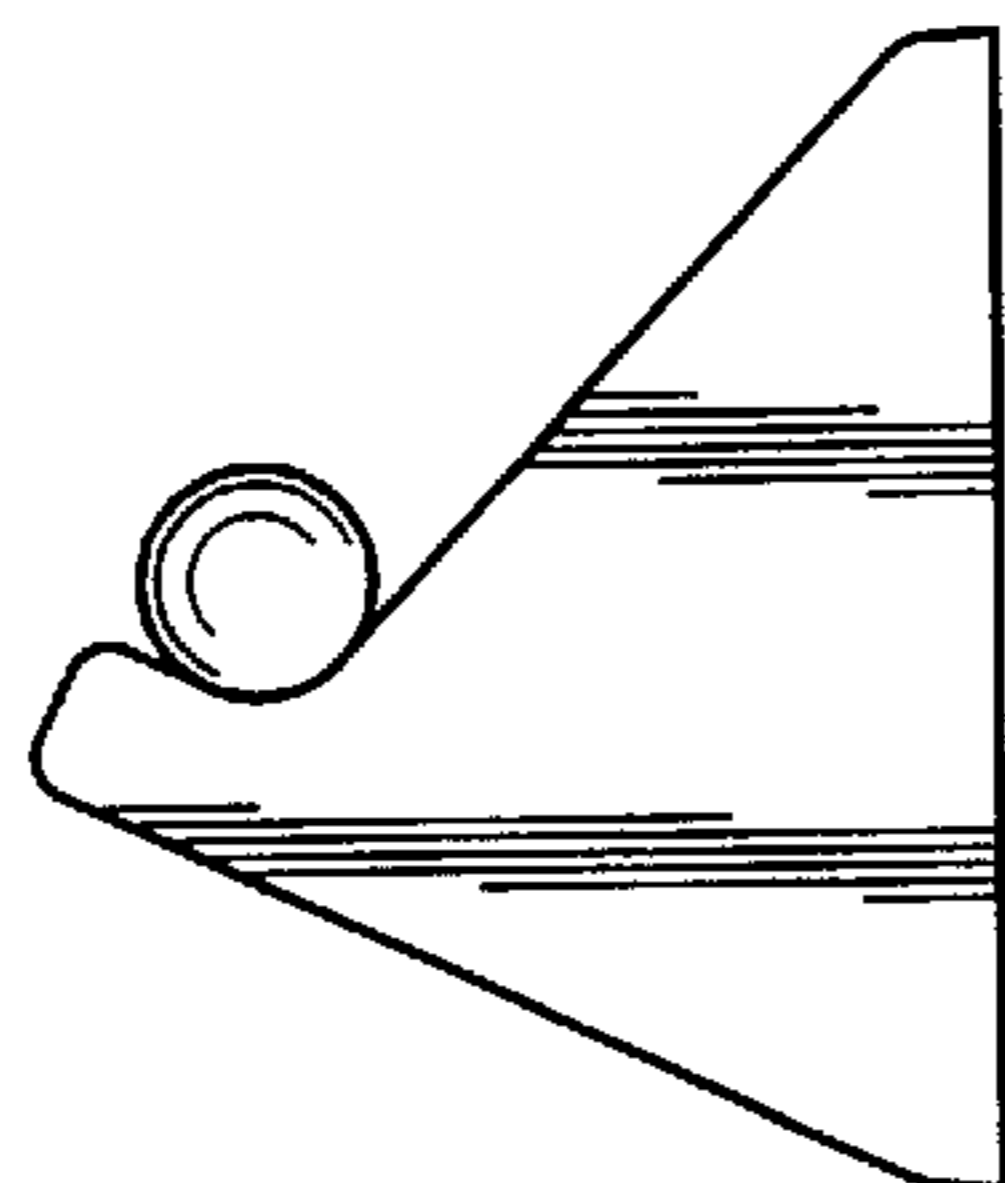


Figure - 5