

US00D432841S

United States Patent [19]

Gastelum et al.

[11] Patent Number: Des. 432,841

[45] Date of Patent: ** Oct. 31, 2000

[54] TOWEL BAR

[75] Inventors: Jose Gastelum, Verona; Leszek Solowiej, Montville, both of N.J.

[73] Assignee: Melard Manufacturing Corp., Passaic, N.J.

[**] Term: 14 Years

[21] Appl. No.: 29/117,442

[22] Filed: Jan. 21, 2000

[51] LOC (7) Cl. 06-04

[52] U.S. Cl. D6/549

[58] Field of Search D6/546, 549, 550, D6/518, 522, 523; 211/13.1, 16, 85.3, 86, 87, 181.1, 182; 248/251, 302, 309.1

[56] **References Cited**

U.S. PATENT DOCUMENTS

D. 58,557	8/1921	Dudley	D6/549
D. 131,506	3/1942	Dreyfuss	D6/549
D. 167,892	10/1952	Hallward	D6/549
D. 186,098	9/1959	Smith	D6/549

D. 291,639	9/1987	Chap	D6/549
D. 334,315	3/1993	Bengston	D6/546
D. 418,345	1/2000	Chen	D6/550
2,893,676	7/1959	Connors et al.	D6/550 X

Primary Examiner—Brian N. Vinson
Attorney, Agent, or Firm—Edgar A. Zarins; Lloyd D. Doigan

[57] **CLAIM**

The ornamental design for a towel bar, as shown and described.

DESCRIPTION

FIG. 1 is a perspective view of a towel bar showing our design;

FIG. 2 is a front elevation view thereof;

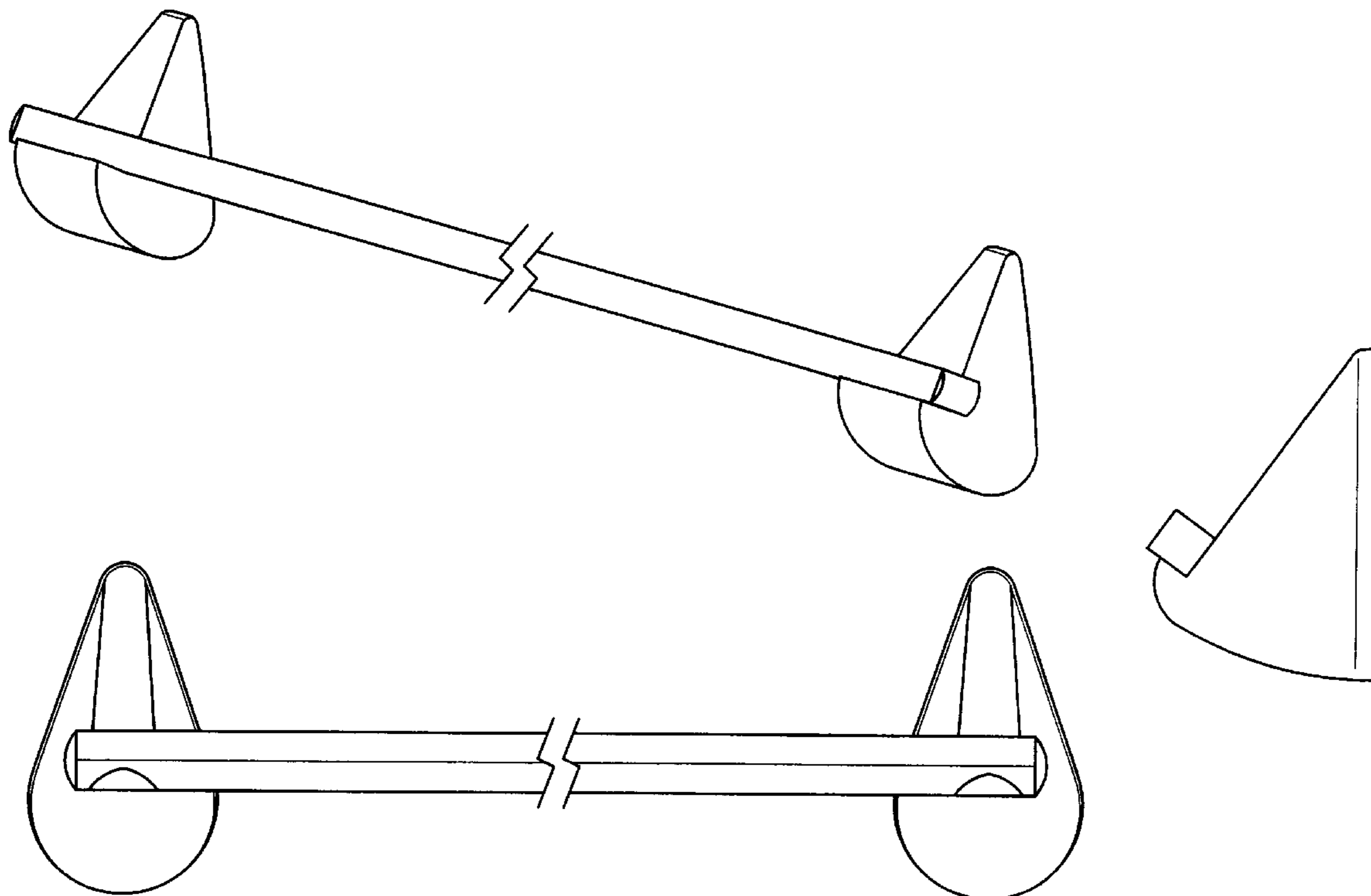
FIG. 3 is a left side view thereof, the opposite side being a mirror image of the side shown; and,

FIG. 4 is a top plan view thereof; and,

FIG. 5 is a bottom plan view thereof.

The bar portion is shown broken-away in the views to indicate indeterminate length.

1 Claim, 2 Drawing Sheets



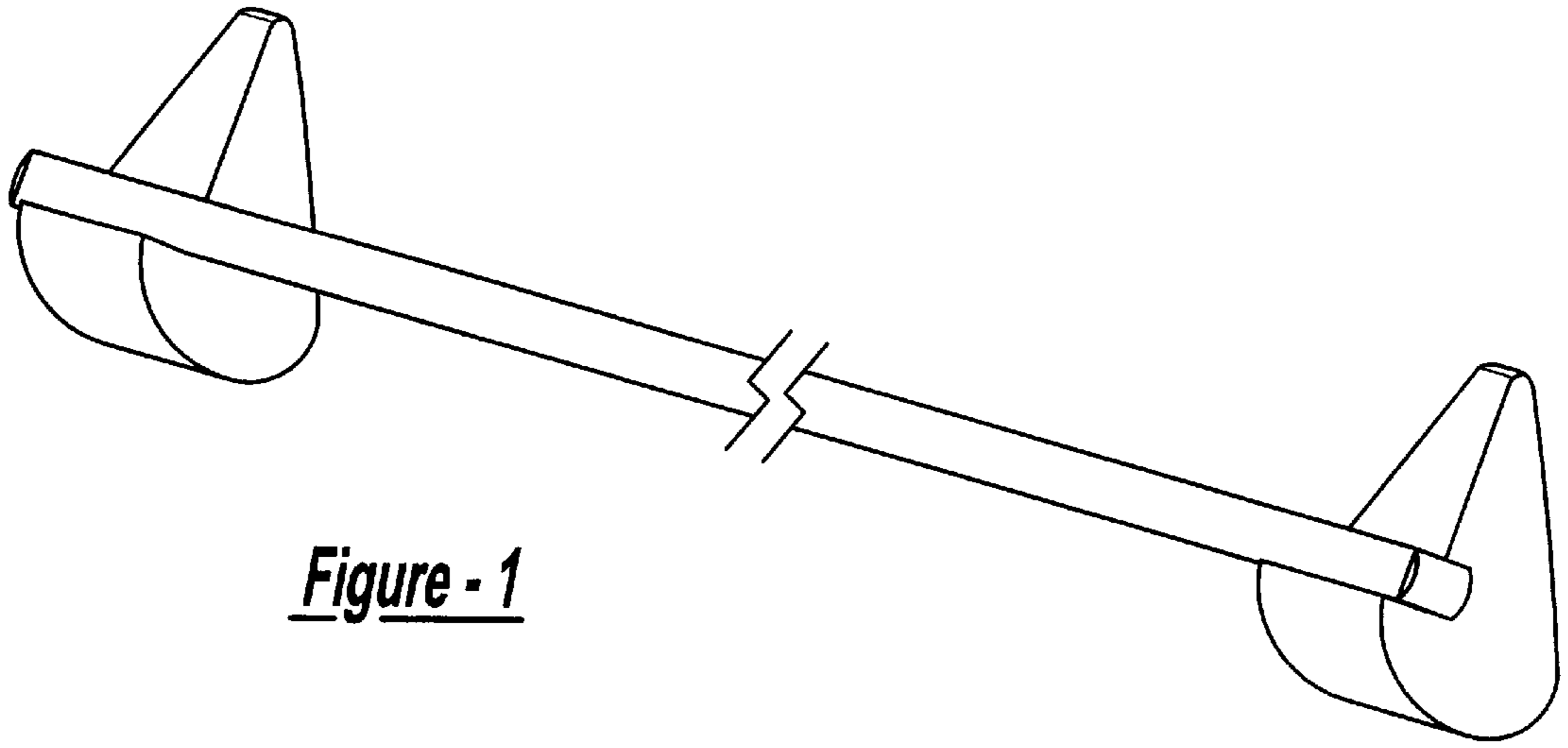


Figure - 1

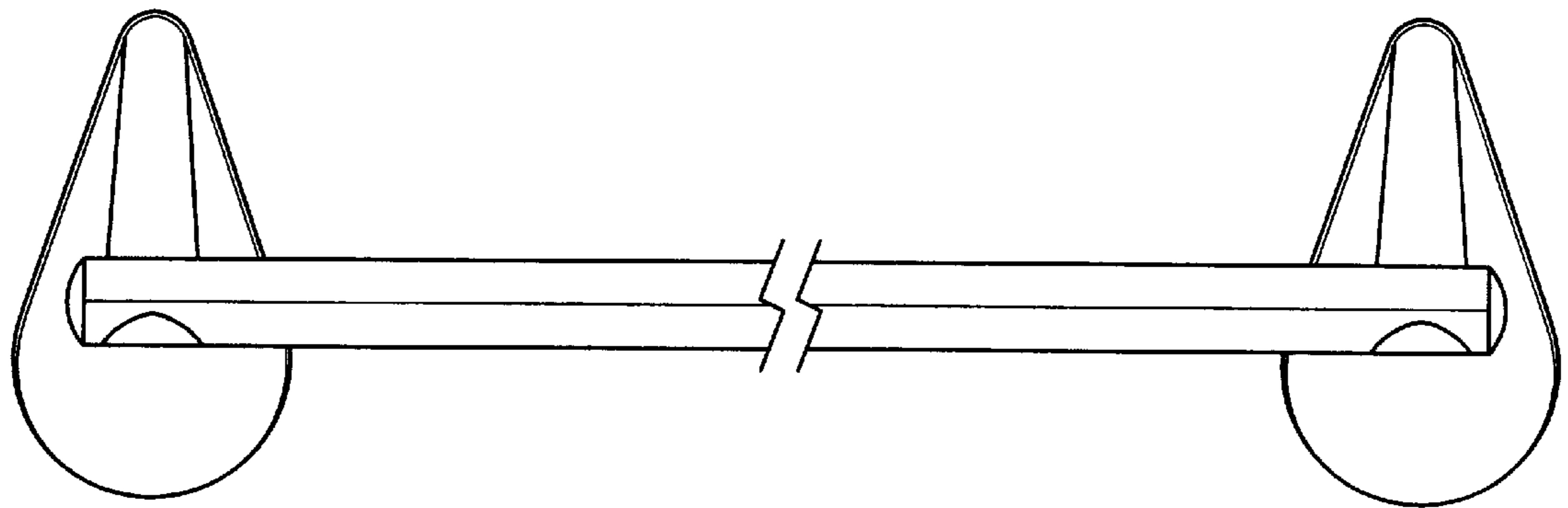


Figure - 2

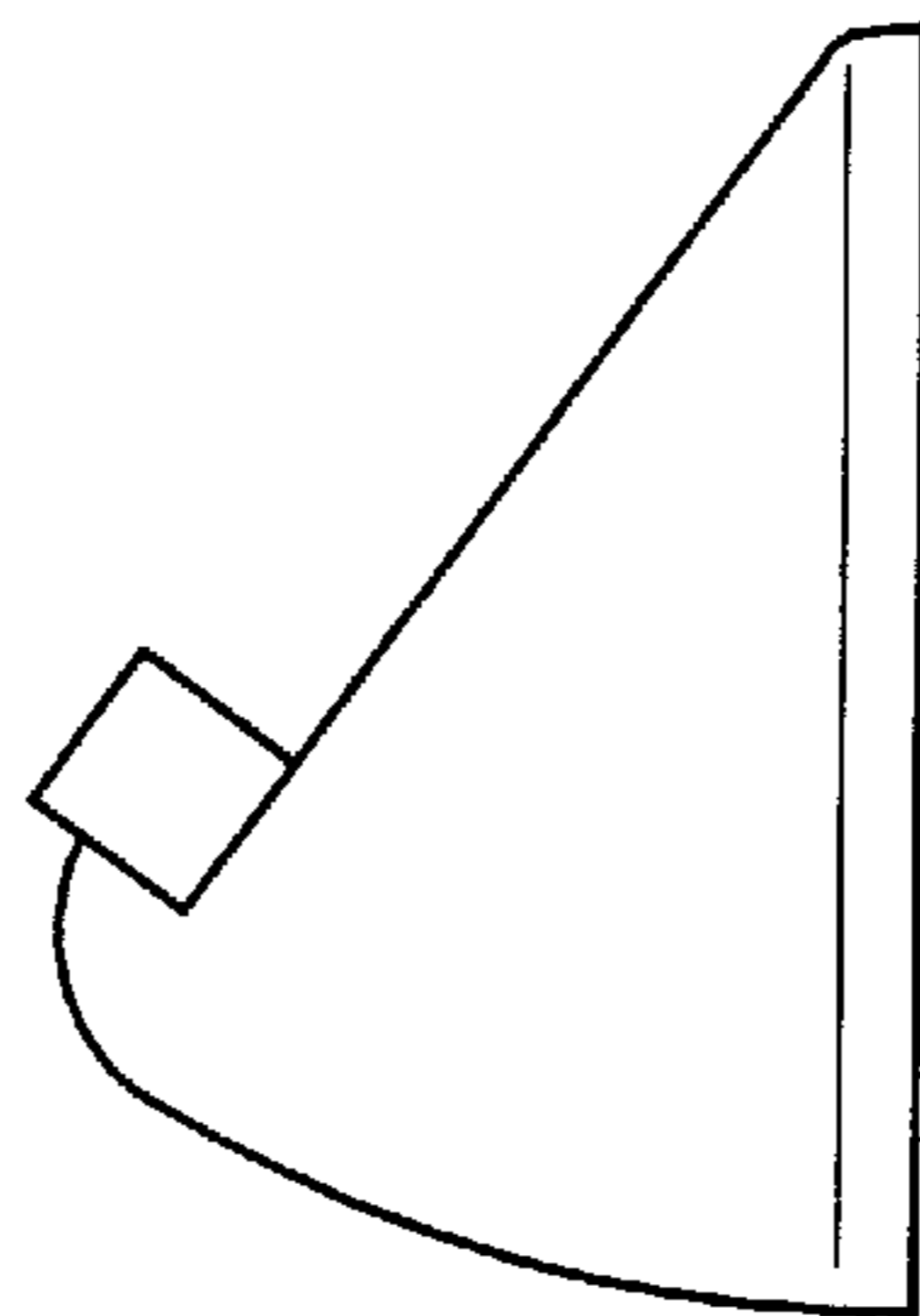


Figure - 3

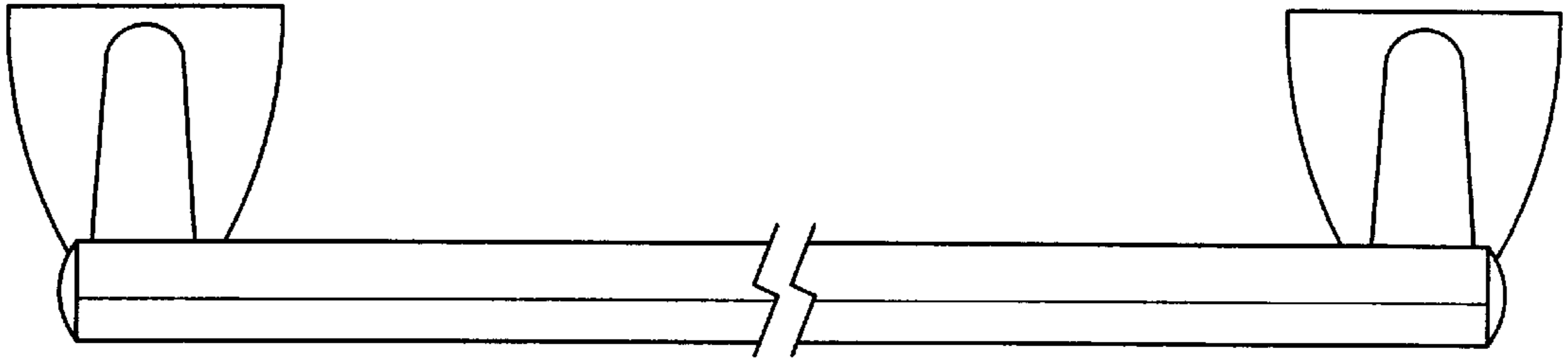


Figure - 4

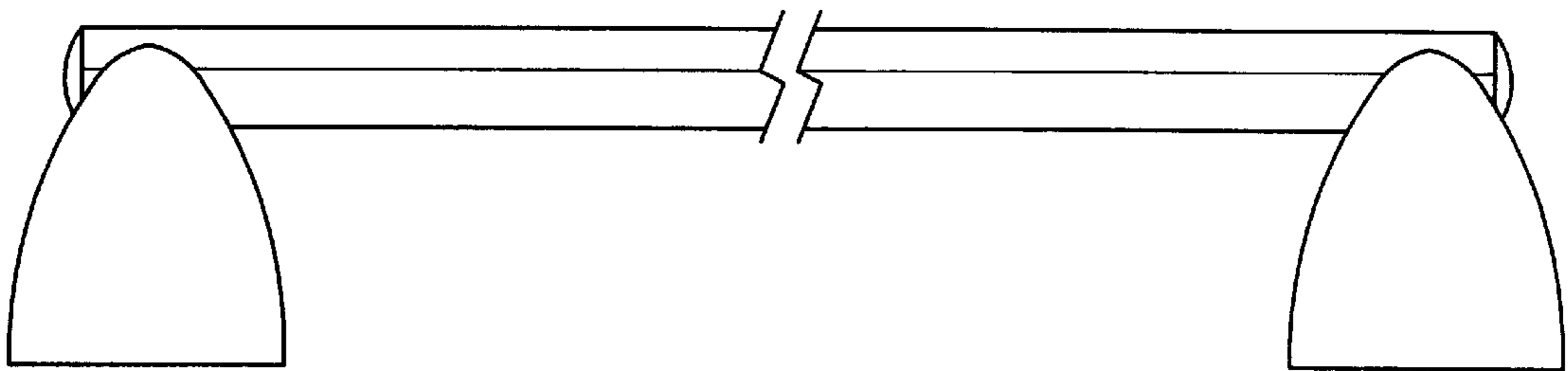


Figure - 5