



US00D432840S

United States Patent [19] Solowiej

[11] **Patent Number: Des. 432,840**

[45] **Date of Patent: ** Oct. 31, 2000**

[54] **TOWEL BAR**

D. 418,345 1/2000 Chen D6/549 X
2,893,676 7/1959 Connors et al. D6/546 X

[75] Inventor: **Leszek Solowiej**, Montville, N.J.

[73] Assignee: **Melard Manufacturing Corp.**, Passaic, N.J.

Primary Examiner—Brian N. Vinson
Attorney, Agent, or Firm—Edgar A. Zarins; Lloyd D. Doigan

[**] Term: **14 Years**

[57] **CLAIM**

[21] Appl. No.: **29/117,436**

The ornamental design for a towel bar, as shown and described.

[22] Filed: **Jan. 21, 2000**

DESCRIPTION

[51] **LOC (7) Cl.** **06-04**

[52] **U.S. Cl.** **D6/549**

[58] **Field of Search** D6/546, 549, 550,
D6/518, 522, 523; 211/13.1, 16, 85.3, 86,
87, 181.1, 182; 248/251, 302, 309.1

FIG. 1 is a perspective view of a towel bar showing my design;

FIG. 2 is a bottom plan view thereof;

FIG. 3 is an end view thereof;

FIG. 4 is a front elevational view thereof; and,

FIG. 5 is a rear elevational view thereof.

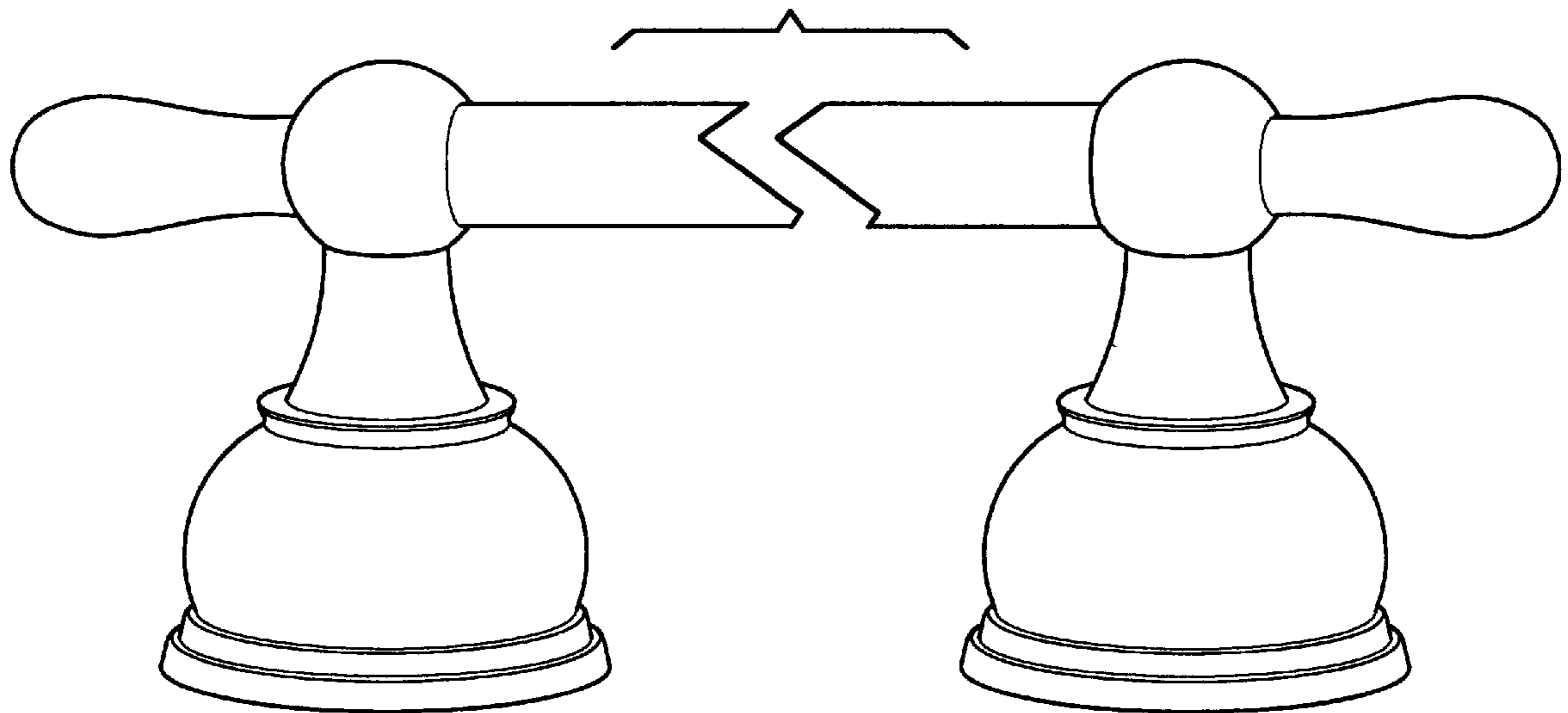
The bar portion is shown broken-away in the views to indicate indeterminate length, and the second support member is omitted from several view for clarity of illustration.

[56] **References Cited**

U.S. PATENT DOCUMENTS

D. 253,380 11/1979 Pittenger D6/550
D. 334,315 3/1993 Bengston D6/549 X
D. 408,669 4/1999 Kuo D6/546

1 Claim, 2 Drawing Sheets



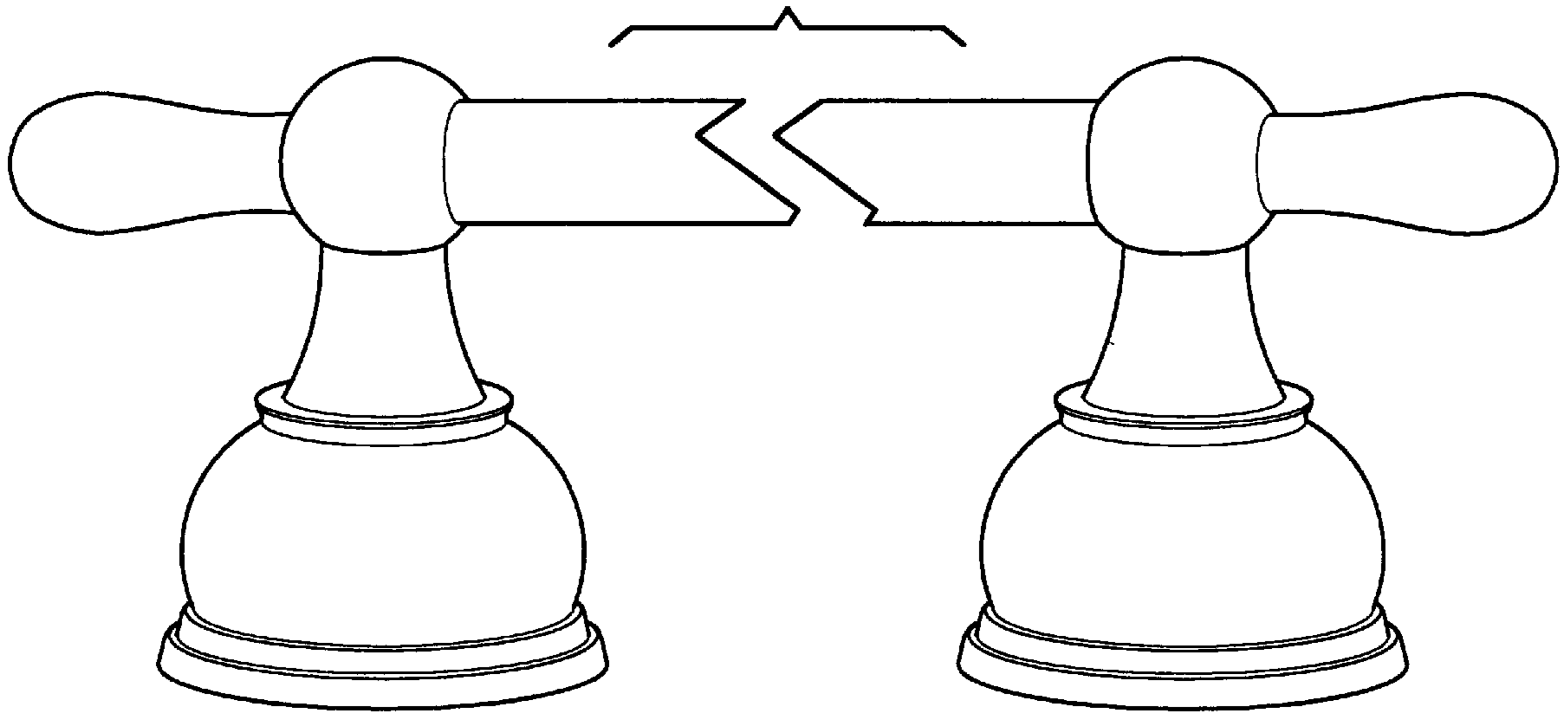


Figure - 1

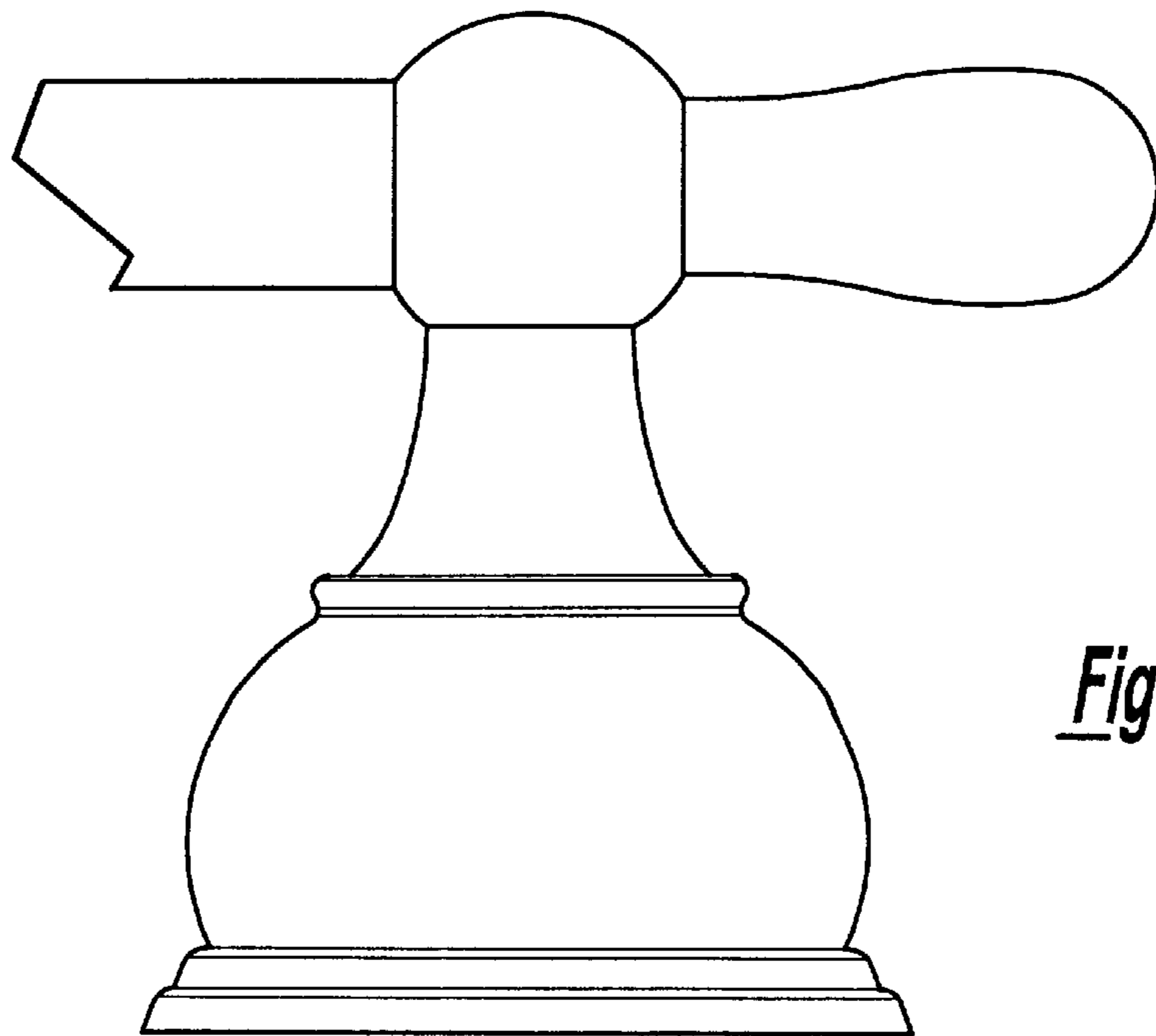


Figure - 2

Figure - 3

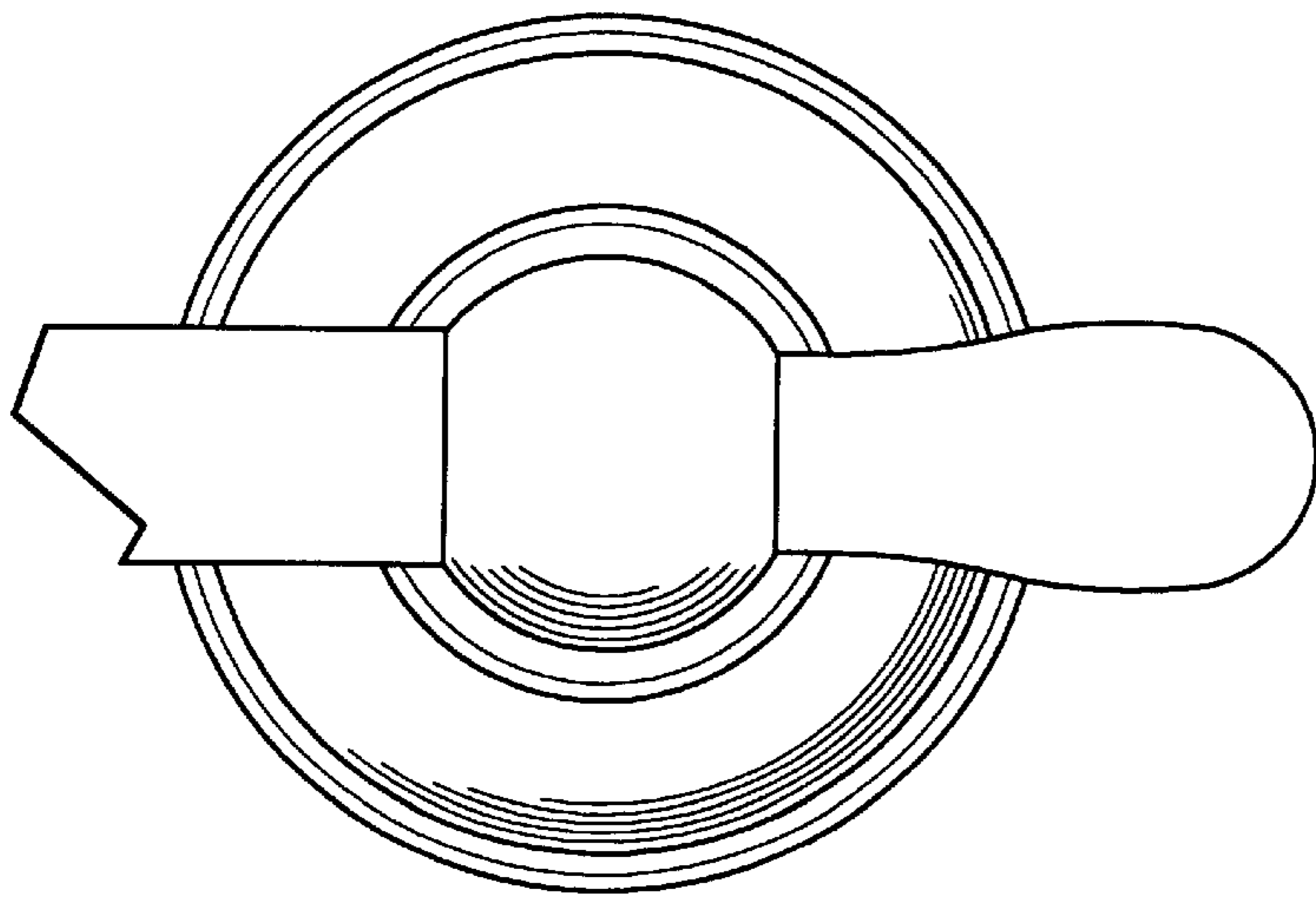
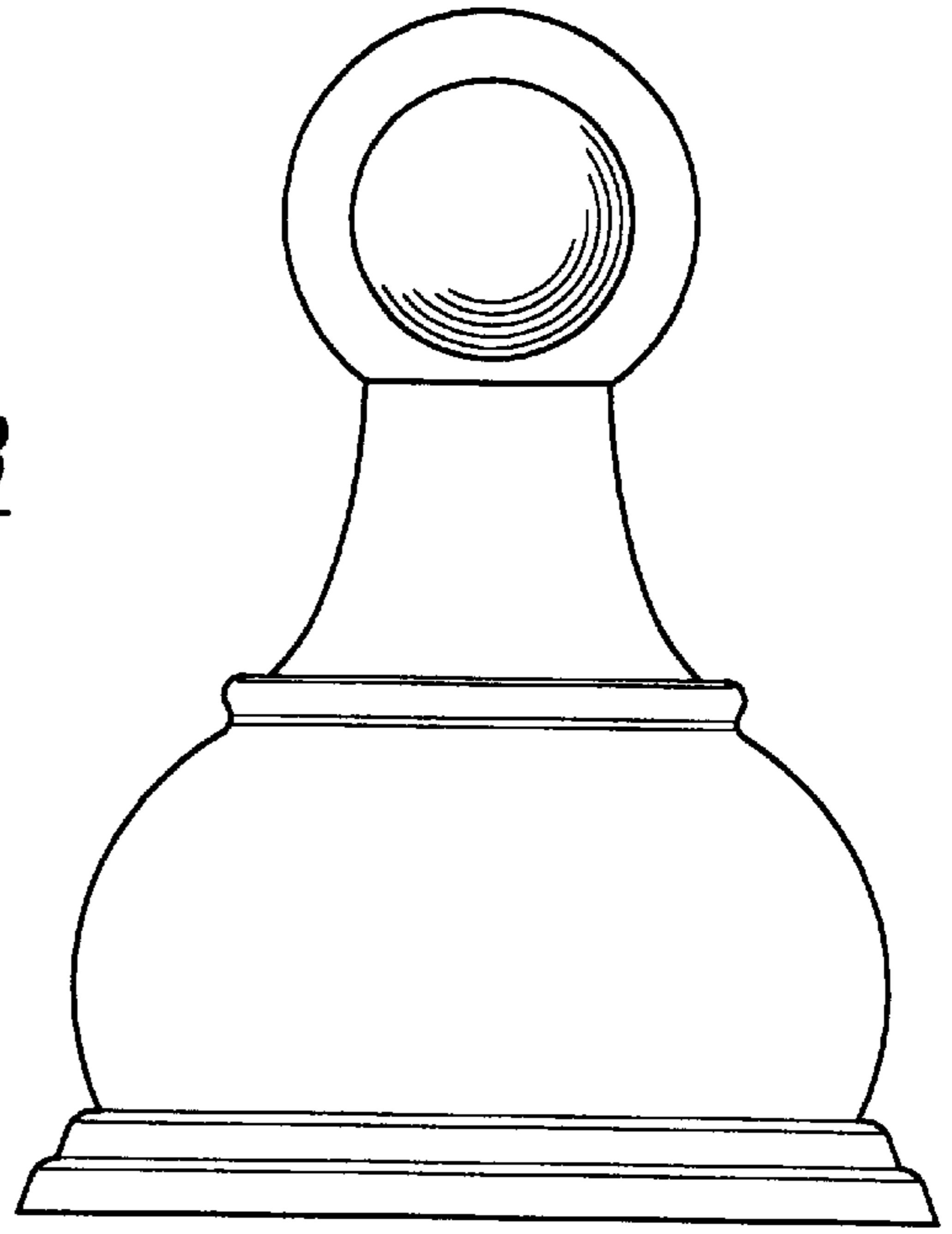


Figure - 4

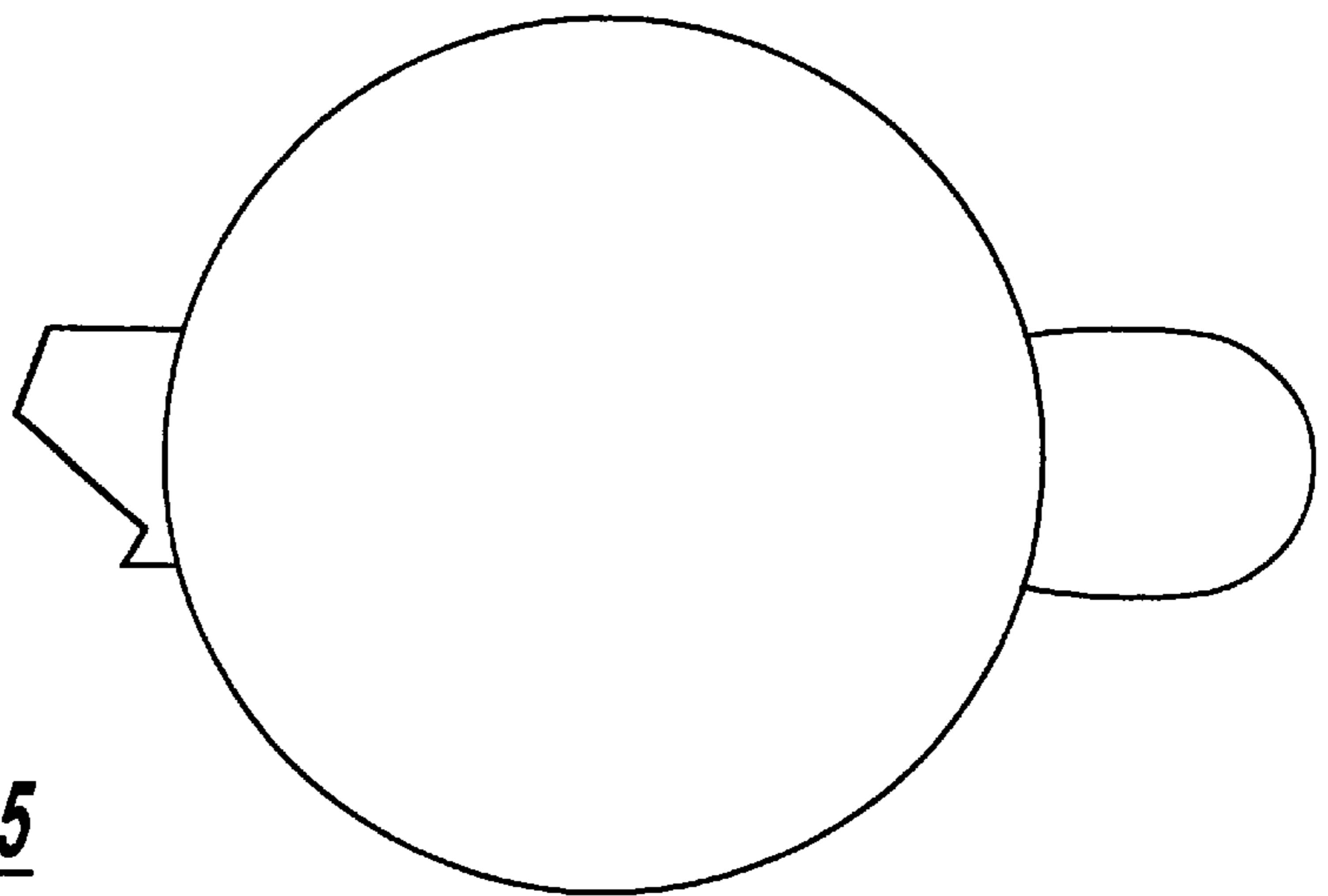


Figure - 5