



US00D432837S

United States Patent [19]

Gastelum et al.

[11] **Patent Number: Des. 432,837**

[45] **Date of Patent: ** Oct. 31, 2000**

[54] **SOAP DISH**

D. 358,518 5/1995 Sharpe D6/540
D. 386,343 11/1997 Moore D6/540

[75] Inventors: **Jose Gastelum**, Verona; **Leszek Solowiej**, Montville, both of N.J.

Primary Examiner—Brian N. Vinson
Attorney, Agent, or Firm—Edgar A. Zarins; Lloyd D. Doigan

[73] Assignee: **Melard Manufacturing Corp.**, Passaic, N.J.

[**] Term: **14 Years**

[57] **CLAIM**

The ornamental design for a soap dish, as shown and described.

[21] Appl. No.: **29/118,563**

[22] Filed: **Feb. 9, 2000**

DESCRIPTION

[51] **LOC (7) Cl.** **23-02**

FIG. 1 is a perspective view of a soap dish showing our design;

[52] **U.S. Cl.** **D6/540**

FIG. 2 is a top plan view thereof;

[58] **Field of Search** D6/524, 536, 540,
D6/529, 532; 211/13.1, 82, 88, 126, 134,
181.1; 248/309.1; 206/77.1

FIG. 3 is a left side view thereof;

FIG. 4 is a bottom plan view thereof;

FIG. 5 is a front elevational view thereof; and,

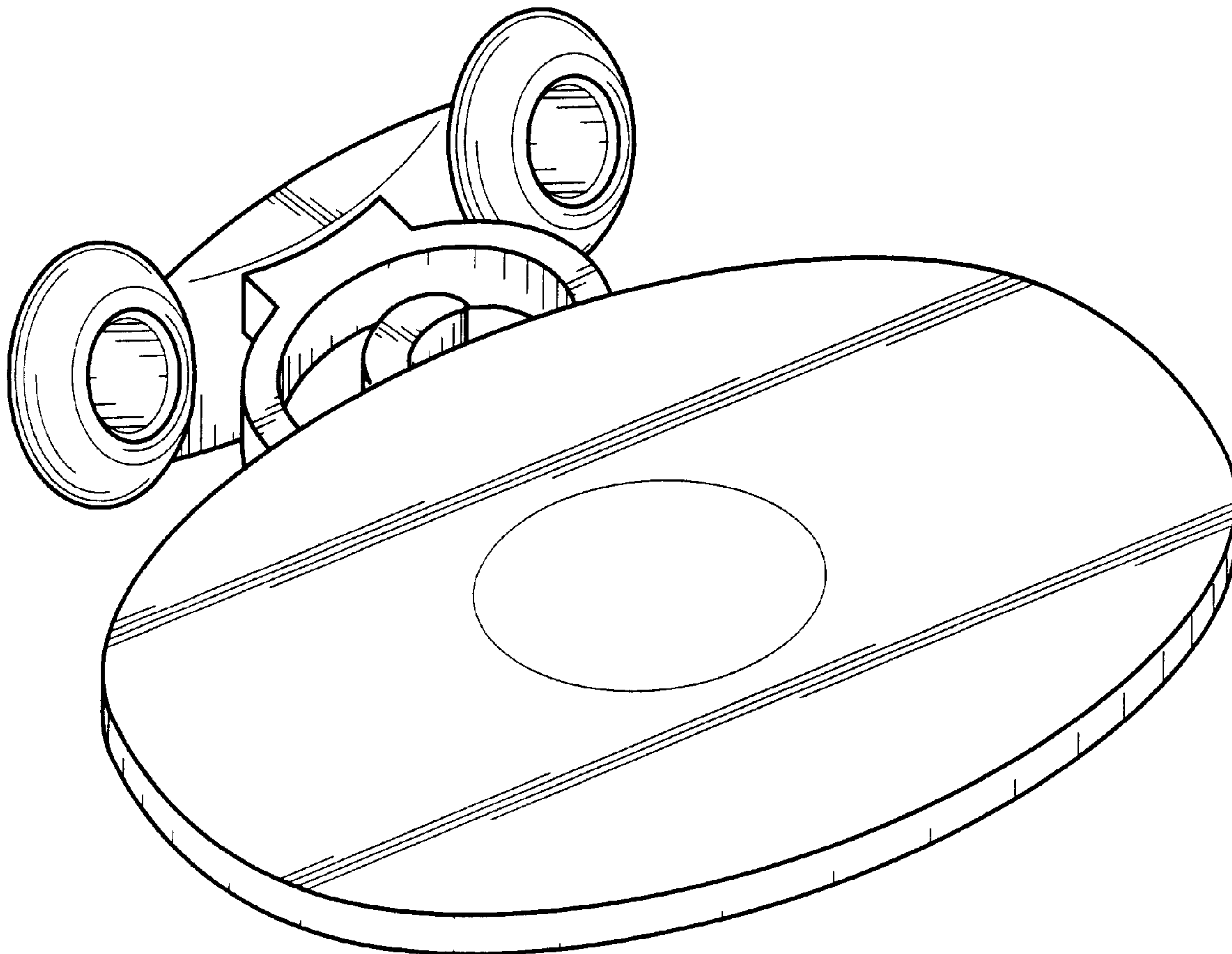
FIG. 6 is a right side view thereof.

[56] **References Cited**

U.S. PATENT DOCUMENTS

D. 356,708 3/1995 Shames et al. D6/540

1 Claim, 3 Drawing Sheets



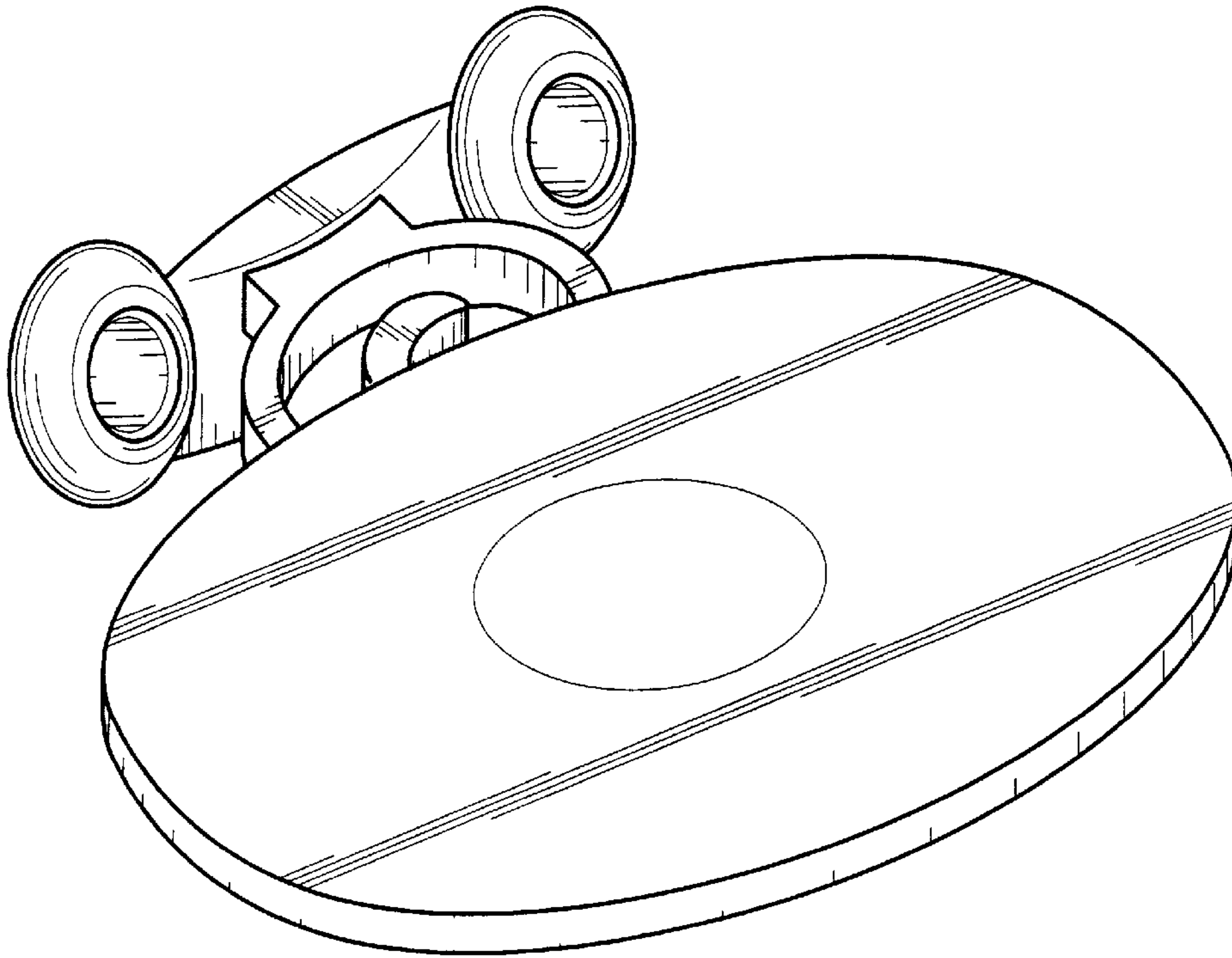


Figure - 1

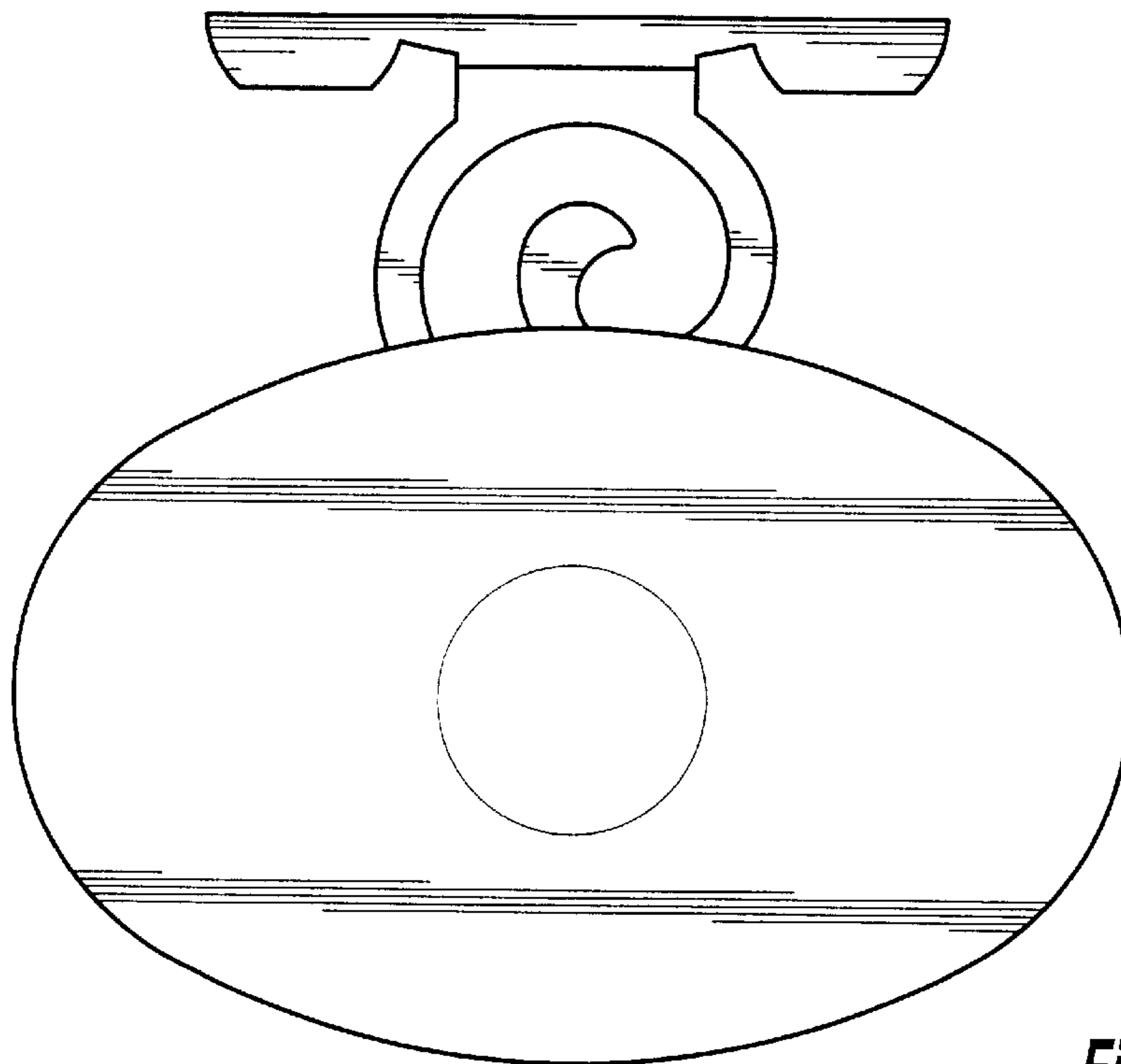


Figure - 2

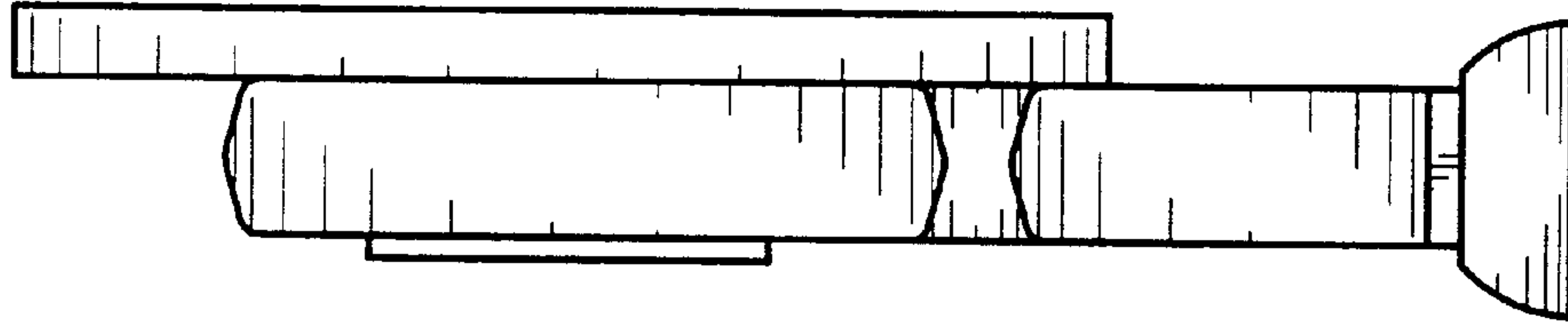


Figure - 3

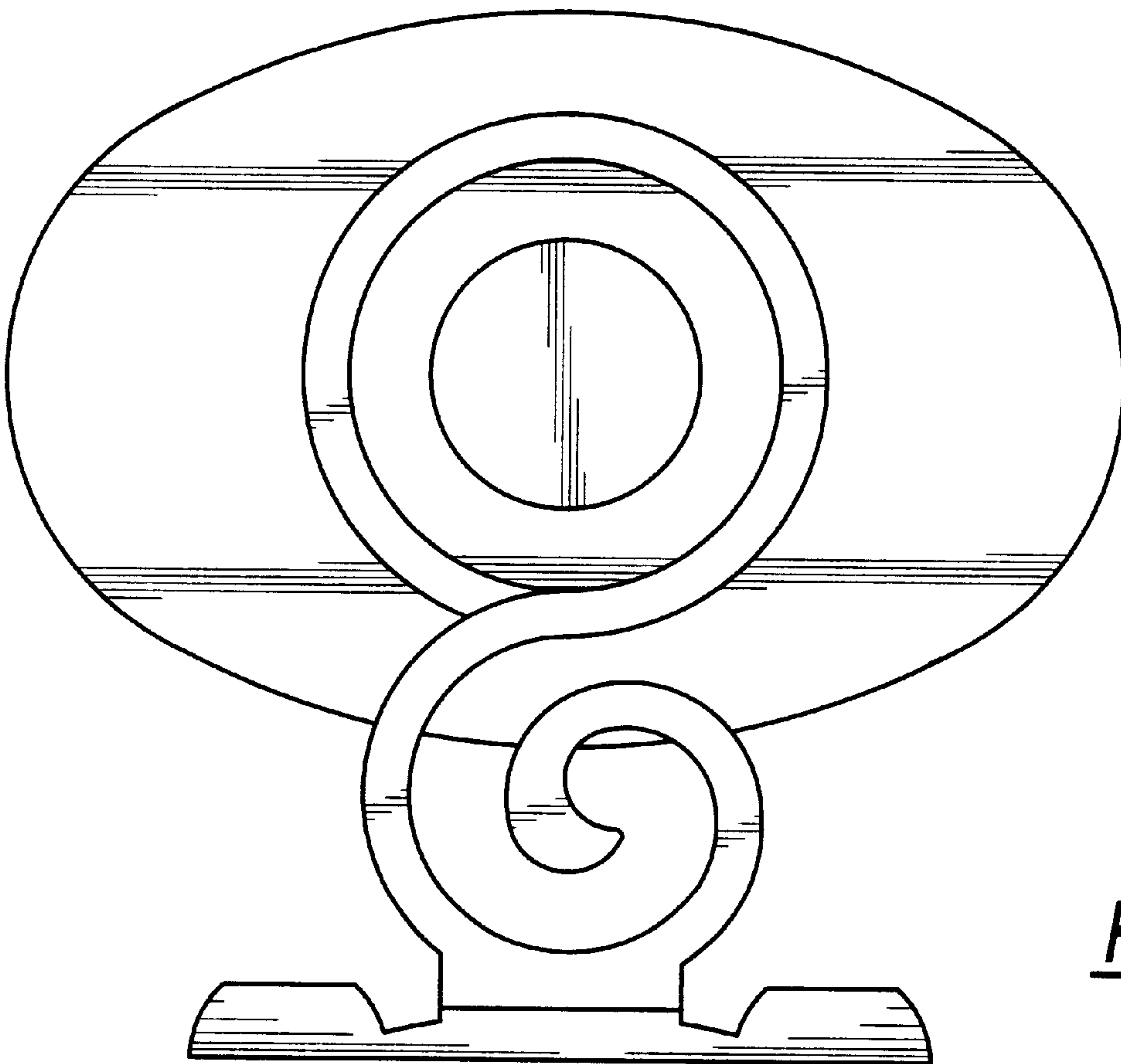


Figure - 4



Figure - 5

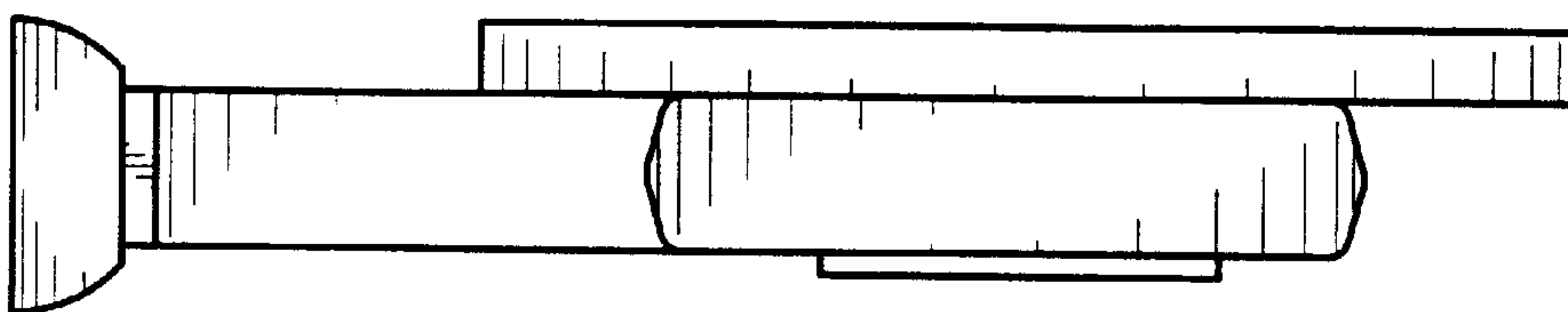


Figure - 6