



US00D432833S

United States Patent [19]

Gastelum et al.

[11] Patent Number: **Des. 432,833**

[45] Date of Patent: **** Oct. 31, 2000**

[54] **TOOTHBRUSH TUMBLER HOLDER**

[75] Inventors: **José Gastelum, Verona; Leszek Solowiej, Montville, both of N.J.**

[73] Assignee: **Melard Manufacturing Corp., Passaic, N.J.**

[**] Term: **14 Years**

[21] Appl. No.: **29/117,840**

[22] Filed: **Jan. 31, 2000**

[51] **LOC (7) Cl.** **23-02**

[52] **U.S. Cl.** **D6/531; D6/534; D6/535**

[58] **Field of Search** **D6/524, 527, 528, D6/531, 534, 535, 540; 211/13.1, 60.1, 65, 66, 69.5, 71, 74, 75, 86, 87, 89, 181.1; 248/302, 309.1, 310, 311.2, 312, 314**

[56] **References Cited**

U.S. PATENT DOCUMENTS

D. 320,132 9/1991 Huxtable D6/531

D. 356,708 3/1995 Shames et al. D6/540
D. 386,343 11/1997 Moore D6/540
D. 417,575 12/1999 Ming-Hsiao D6/540
2,576,873 11/1951 Zelov 248/309.1 X
4,637,582 1/1987 Boda 248/309.1 X

Primary Examiner—Brian N. Vinson
Attorney, Agent, or Firm—Edgar A. Zarins; Lloyd D. Doigan

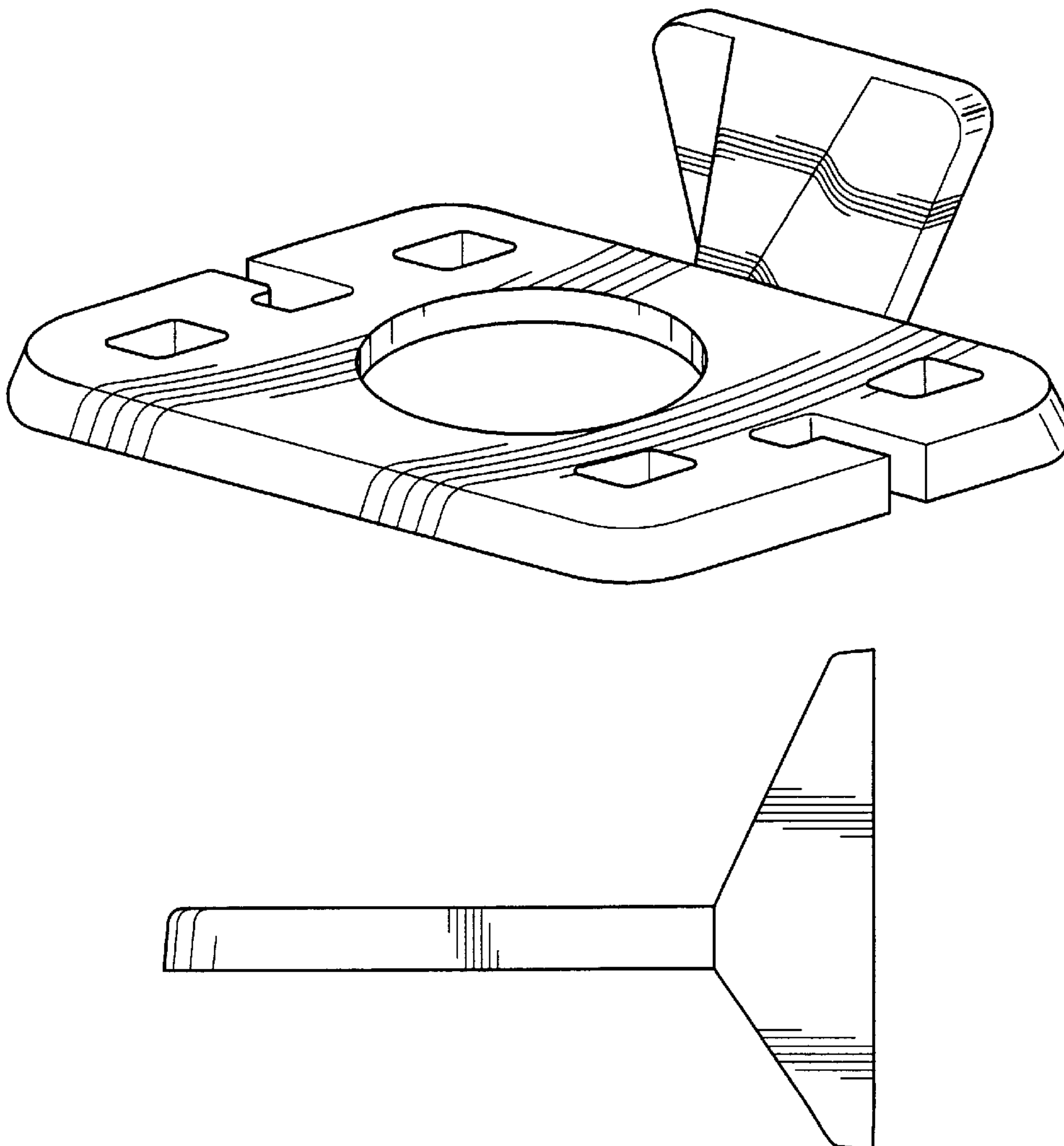
[57] **CLAIM**

The ornamental design for a toothbrush tumbler holder, as shown and described.

DESCRIPTION

FIG. 1 is a perspective view of a robe hook showing our design;
FIG. 2 is a top plan view thereof;
FIG. 3 is a front elevation thereof;
FIG. 4 is a left side view thereof, the opposite side being a mirror image of the side shown; and,
FIG. 5 is a bottom plan view thereof.

1 Claim, 3 Drawing Sheets



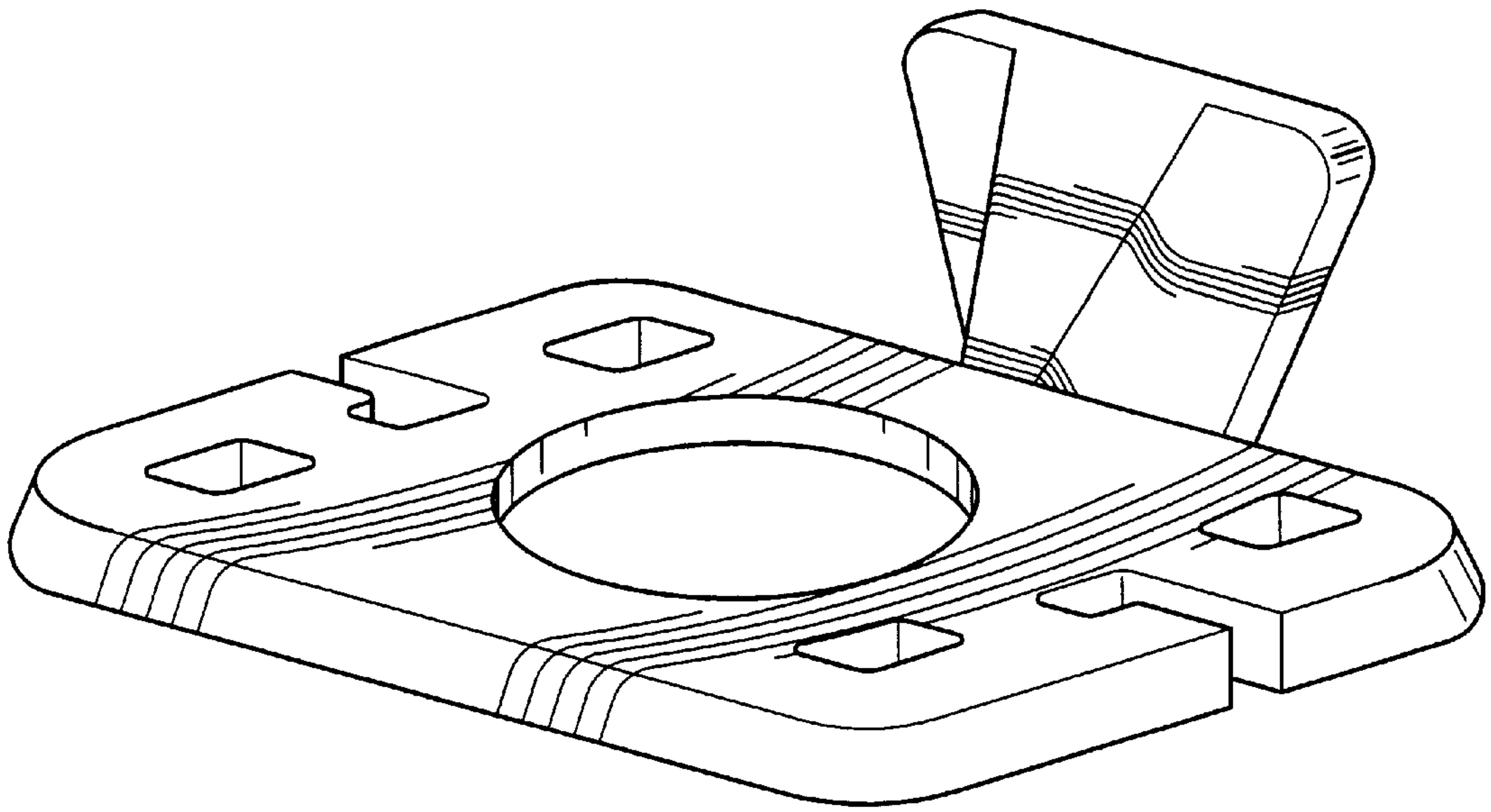


Figure - 1

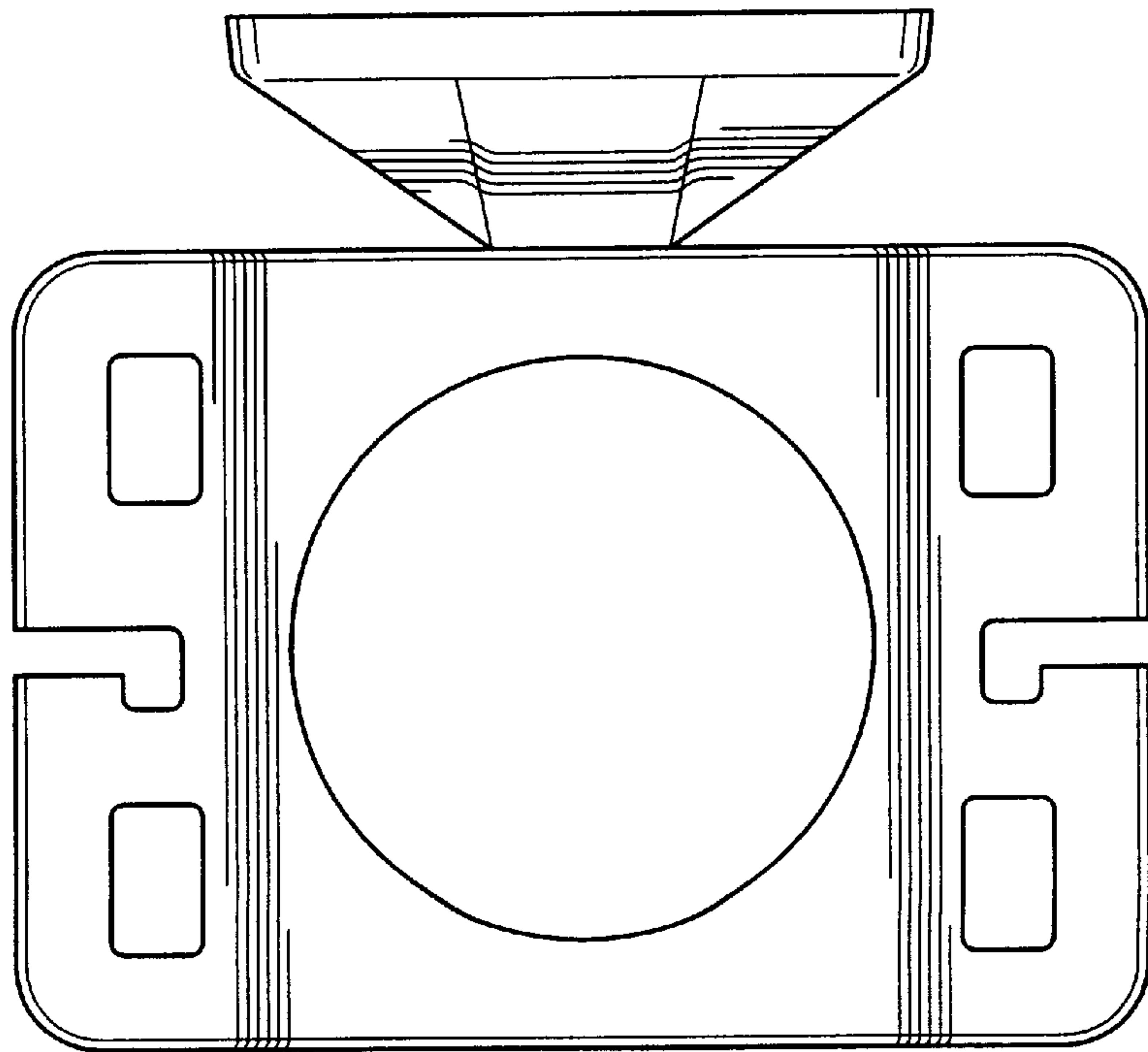


Figure - 2

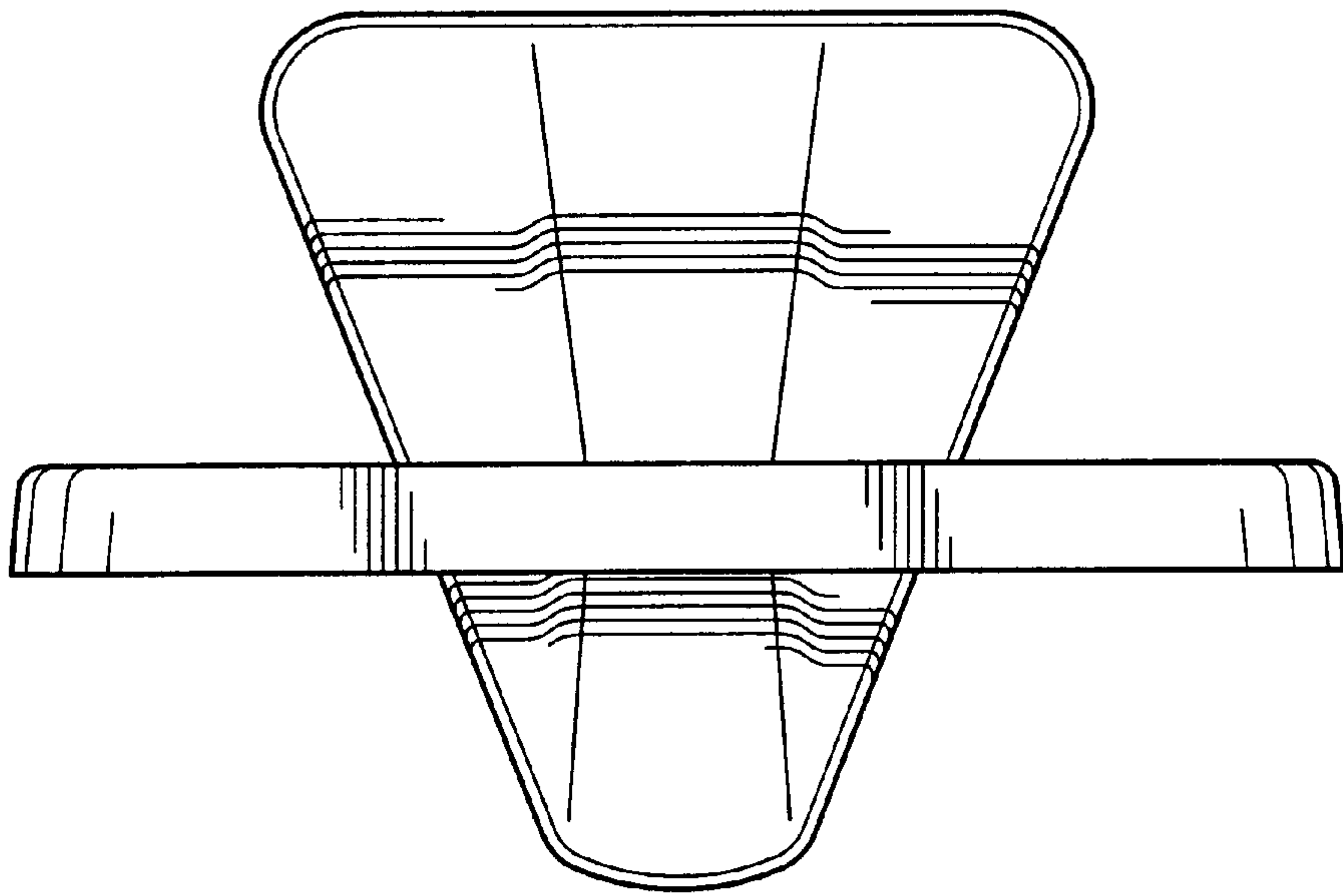


Figure - 3

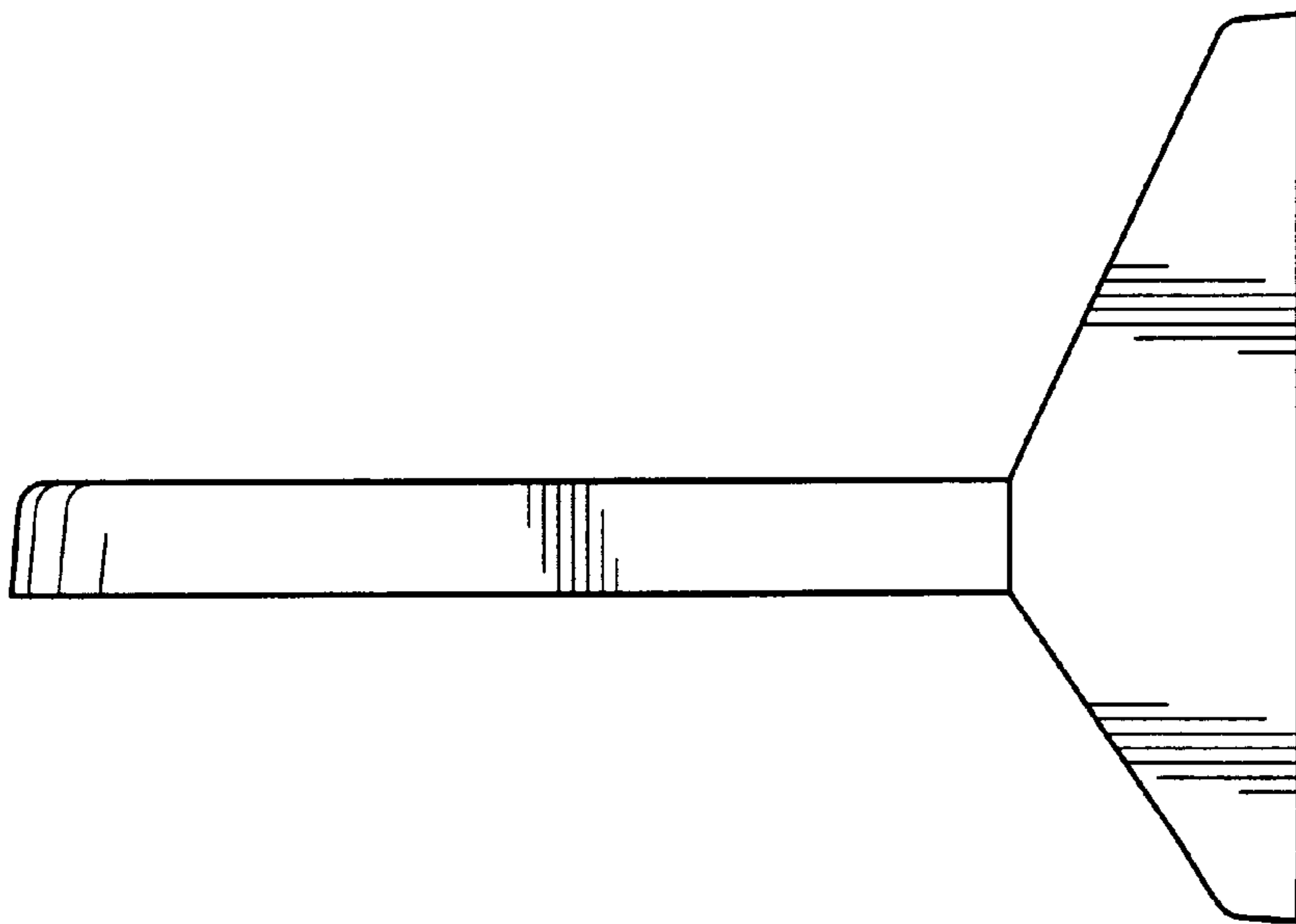


Figure - 4

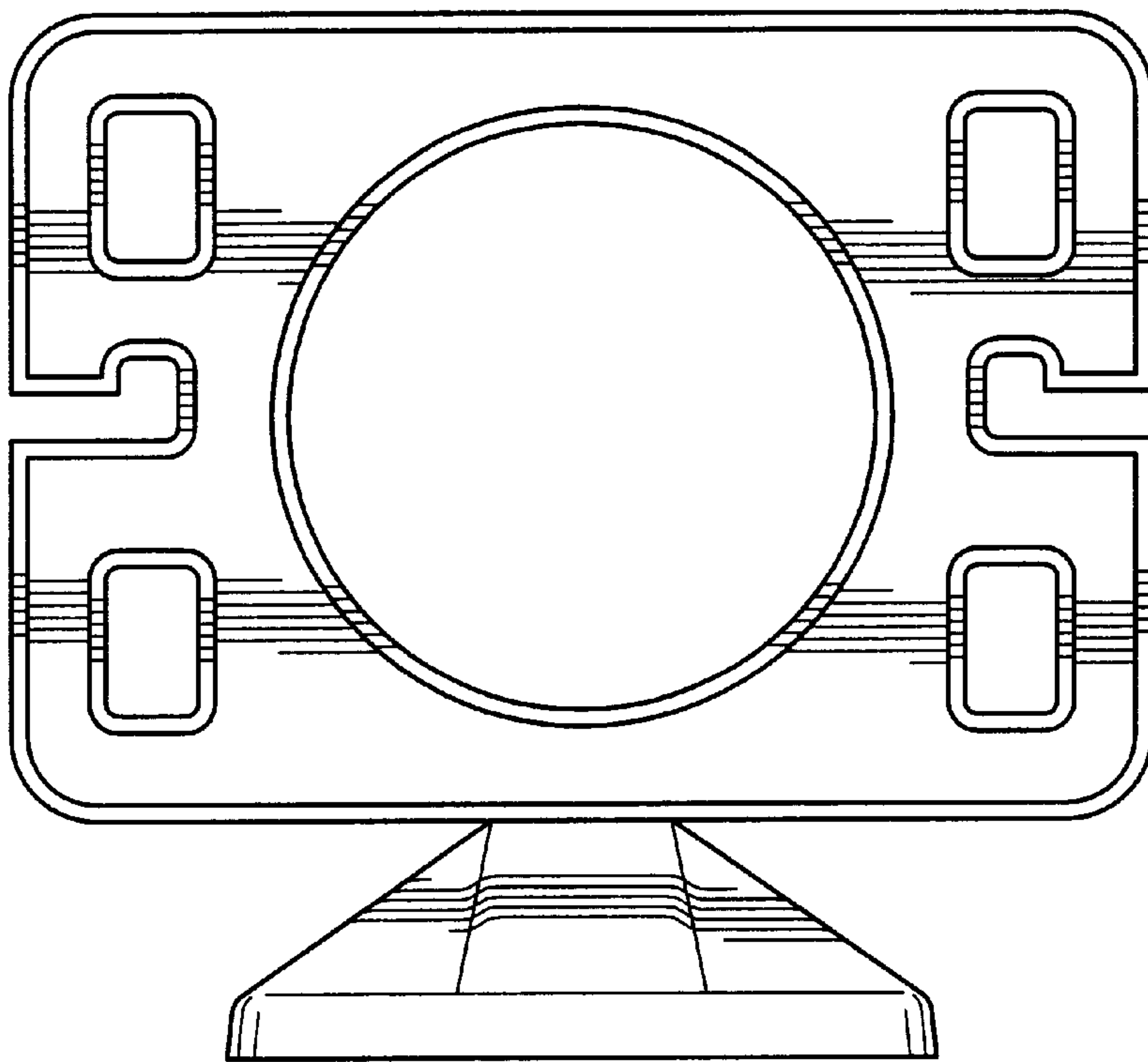


Figure - 5