



US00D432832S

United States Patent [19]

Gastelum et al.

[11] **Patent Number: Des. 432,832**

[45] **Date of Patent: ** Oct. 31, 2000**

[54] **BATH ACCESSORY POST**

[75] Inventors: **José Gastelum**, Verona; **Leszek Solowiej**, Montville, both of N.J.

[73] Assignee: **Melard Manufacturing Corp.**, Passaic, N.J.

[**] Term: **14 Years**

[21] Appl. No.: **29/118,488**

[22] Filed: **Feb. 9, 2000**

[51] **LOC (7) Cl.** **23-02**

[52] **U.S. Cl.** **D6/524**

[58] **Field of Search** D5/522-524, 527-540, D5/546-550; D8/349, 350, 352, 354; 211/13.1, 60.1, 65, 66, 69.1, 71, 74, 75, 86, 87; 242/570, 590, 595-598; 248/309.1, 310, 311.2, 312, 314, 315

[56] **References Cited**

U.S. PATENT DOCUMENTS

D. 179,083 10/1956 Hurwitz D6/549

D. 185,494 6/1959 Ganta D6/550
D. 253,380 11/1979 Pittenger D6/550
2,315,566 4/1943 Watral et al. D6/549 X

Primary Examiner—Brian N. Vinson
Attorney, Agent, or Firm—Edgar A. Zarins; Lloyd D. Doigan

[57] CLAIM

The ornamental design for a bath accessory post, as shown and described.

DESCRIPTION

FIG. 1 is a perspective view of a bath accessory post showing our design;

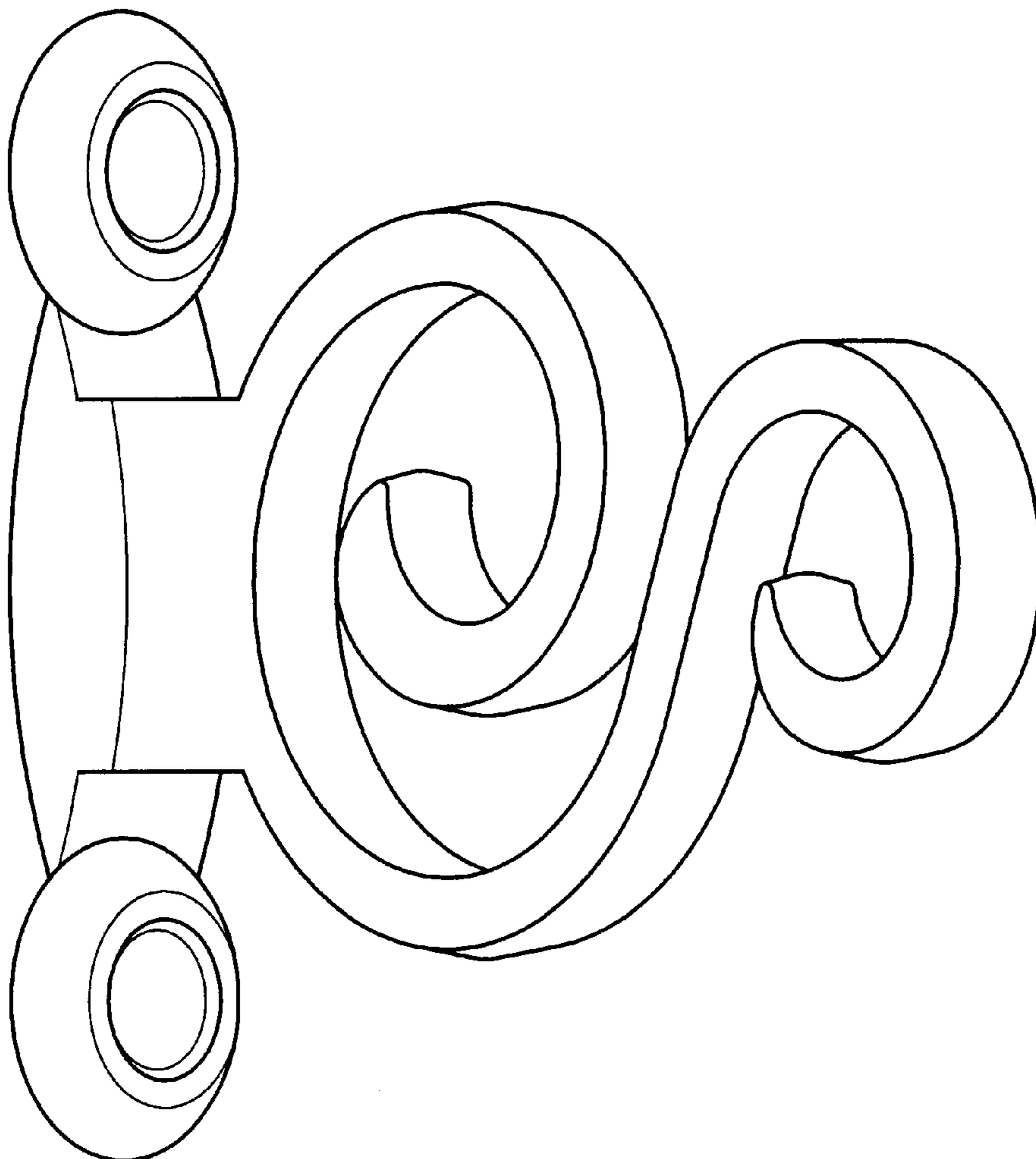
FIG. 2 is a front elevation thereof;

FIG. 3 is a right side view thereof, the opposite side being a mirror image of the side shown;

FIG. 4 is a top plan view thereof; and,

FIG. 5 is a bottom plan view thereof.

1 Claim, 2 Drawing Sheets



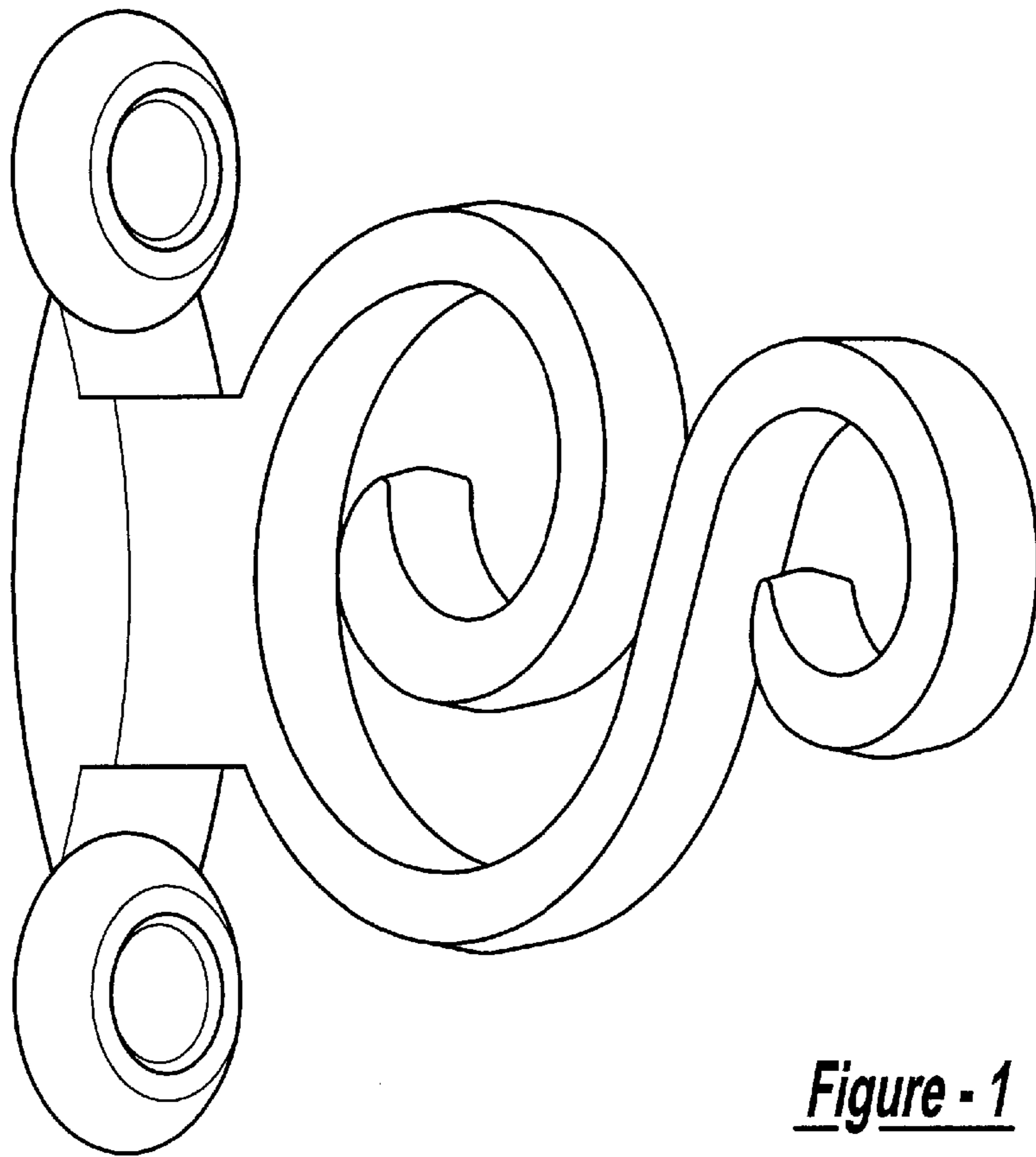


Figure - 1

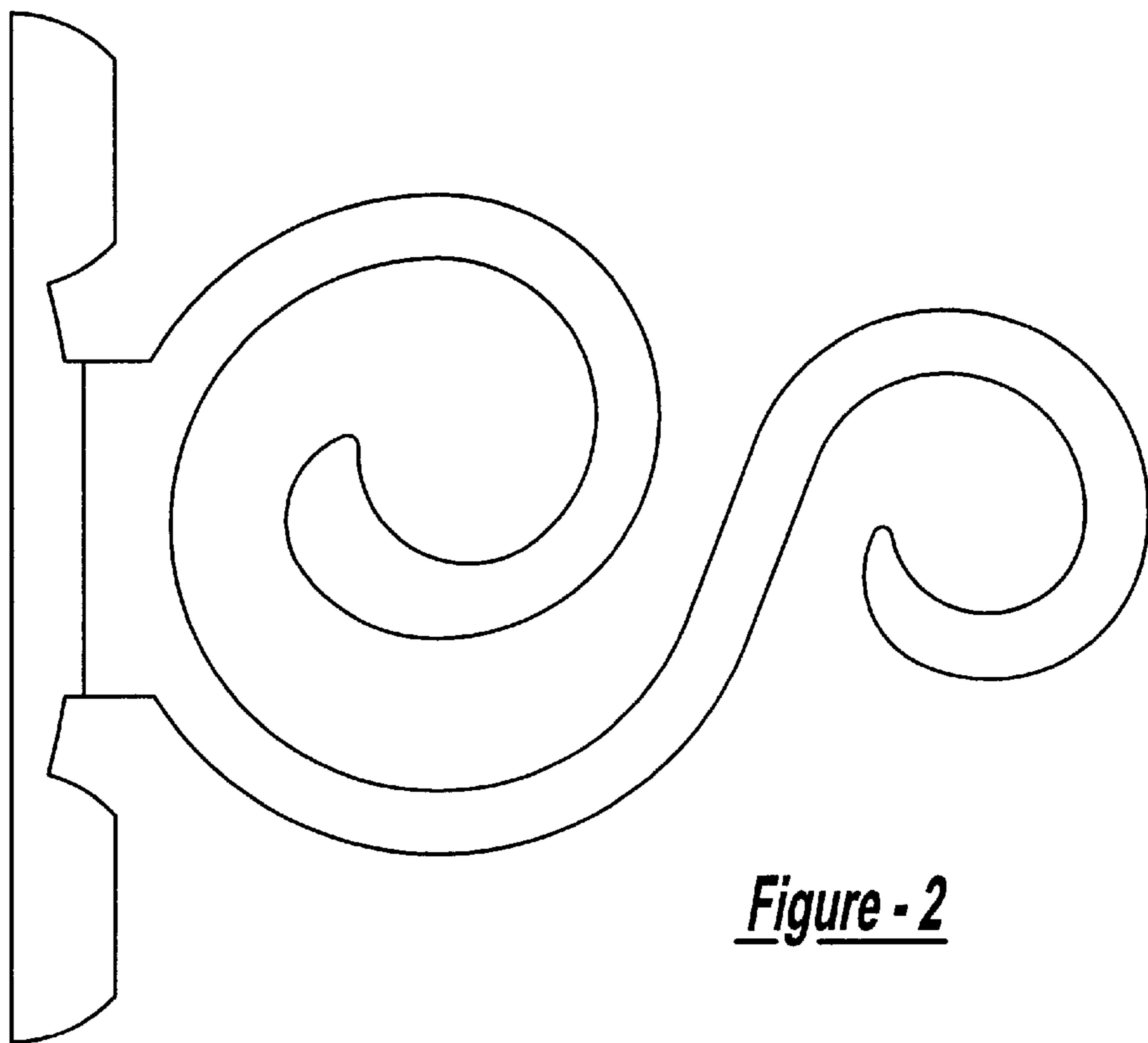


Figure - 2

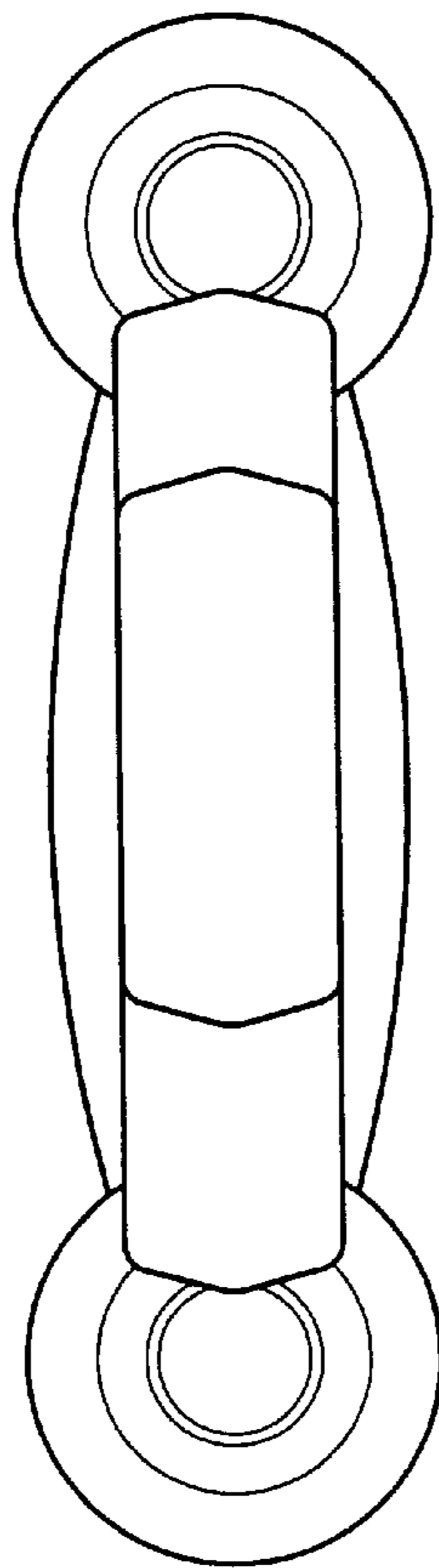


Figure - 3

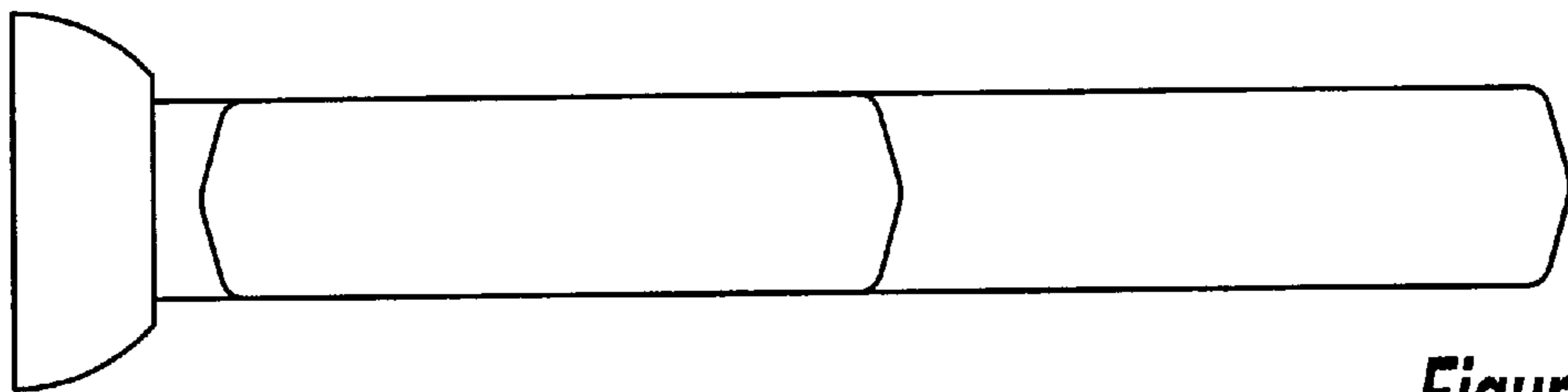


Figure - 4

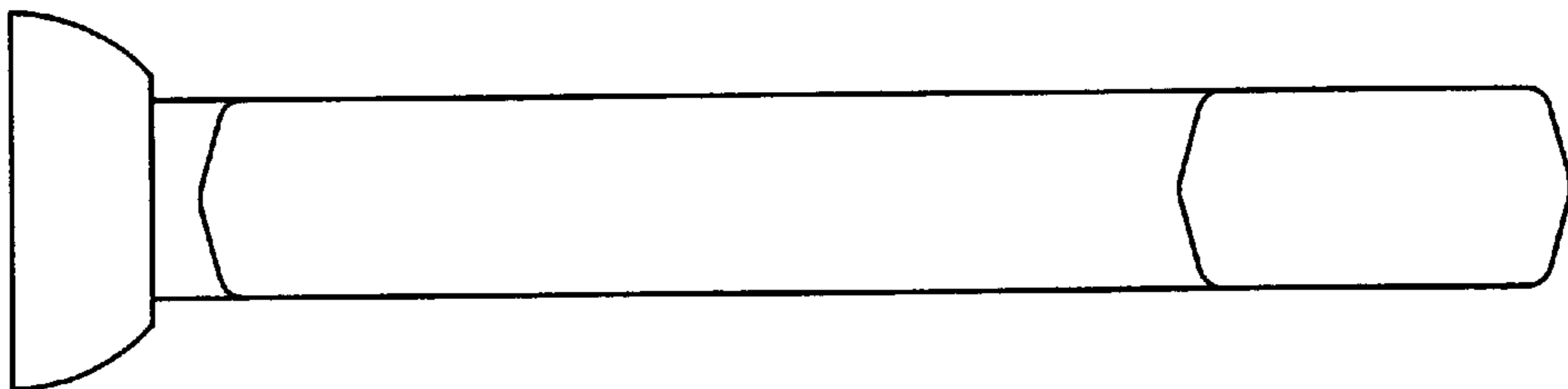


Figure - 5