



US00D432831S

# United States Patent [19]

Gastelum et al.

[11] **Patent Number: Des. 432,831**

[45] **Date of Patent: \*\* Oct. 31, 2000**

[54] **POST FOR BATH ACCESSORY**

[75] Inventors: **Jose Gastelum, Verona; Leszek Solowiej, Montville, both of N.J.**

[73] Assignee: **Melard Manufacturing Corp., Passaic, N.J.**

[\*\*] Term: **14 Years**

[21] Appl. No.: **29/117,838**

[22] Filed: **Jan. 30, 2000**

[51] **LOC (7) Cl. .... 23-02**

[52] **U.S. Cl. .... D6/524; D6/550**

[58] **Field of Search** ..... D6/522-524, 527-540, D6/546-550; D8/349, 350, 352, 354; 211/13.1, 60.1, 65, 66, 69.1, 71, 74, 75, 86, 87; 242/570, 590, 595-598; 248/309.1, 310, 311.2, 312, 314, 315

[56] **References Cited**

**U.S. PATENT DOCUMENTS**

- D. 167,892 10/1952 Hallward ..... D6/549
- D. 291,639 9/1987 Chap ..... D6/549

- D. 293,184 12/1987 Chap ..... D6/546
- D. 341,511 11/1993 McKenna ..... D6/550
- D. 362,775 10/1995 Moon ..... D6/546
- 2,576,873 11/1951 Zelov ..... 248/309.1 X
- 2,893,676 7/1959 Connors et al. .... 248/309.1 X
- 4,637,582 1/1987 Boda ..... 248/309.1

*Primary Examiner*—Brian N. Vinson  
*Attorney, Agent, or Firm*—Edgar A. Zarins; Lloyd D. Doigan

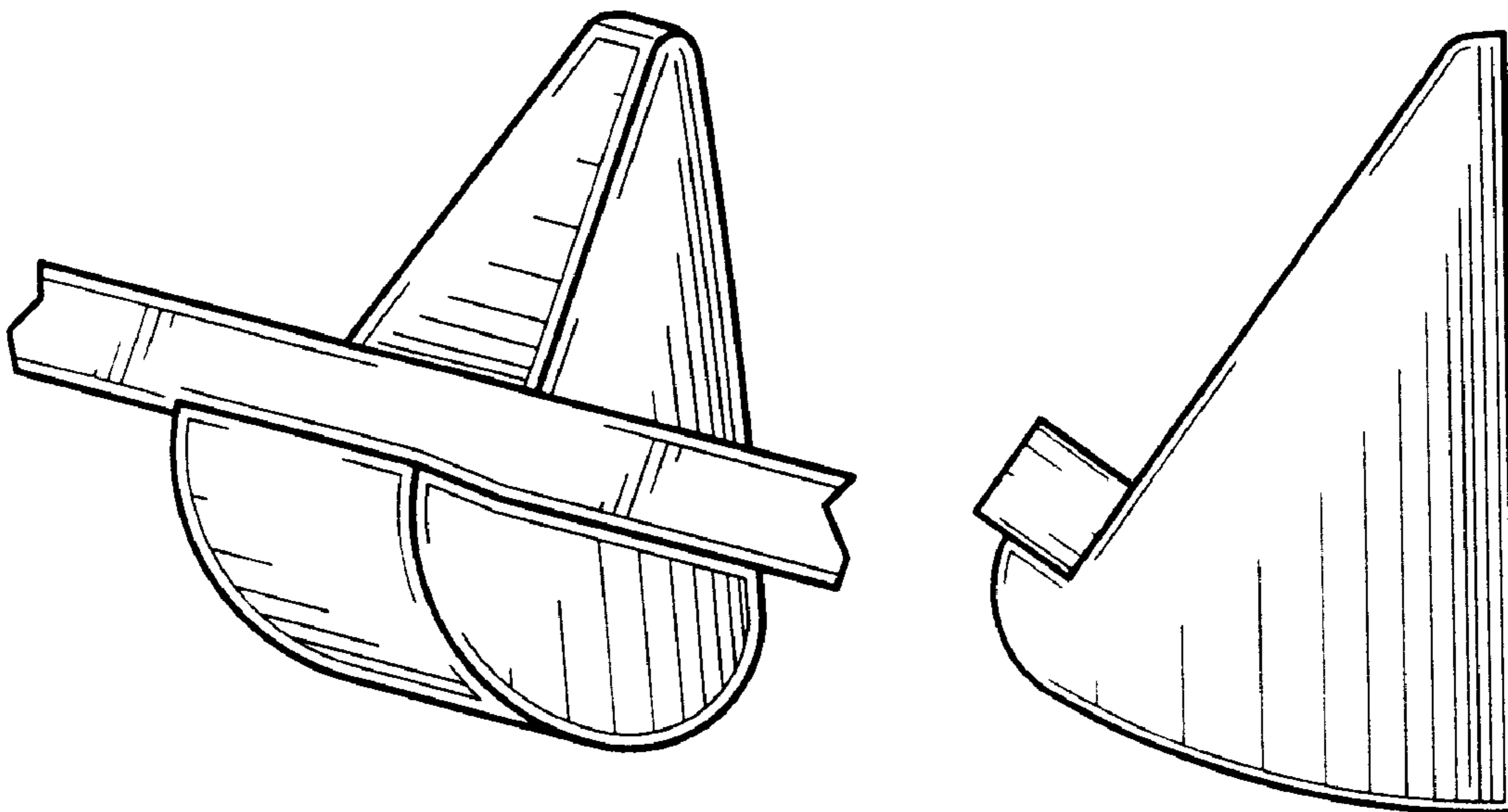
[57] **CLAIM**

The ornamental design for a post for bath accessory, as shown and described.

**DESCRIPTION**

FIG. 1 is a perspective view of a post for bath accessory showing our design;  
FIG. 2 is a front elevation view thereof;  
FIG. 3 is a left side view thereof, the opposite side being a mirror image of the side shown; and  
FIG. 4 is a top plan view thereof; and,  
FIG. 5 is a bottom plan view thereof.  
The bar portion is shown broken-away in the views to indicate indeterminate length.

**1 Claim, 1 Drawing Sheet**



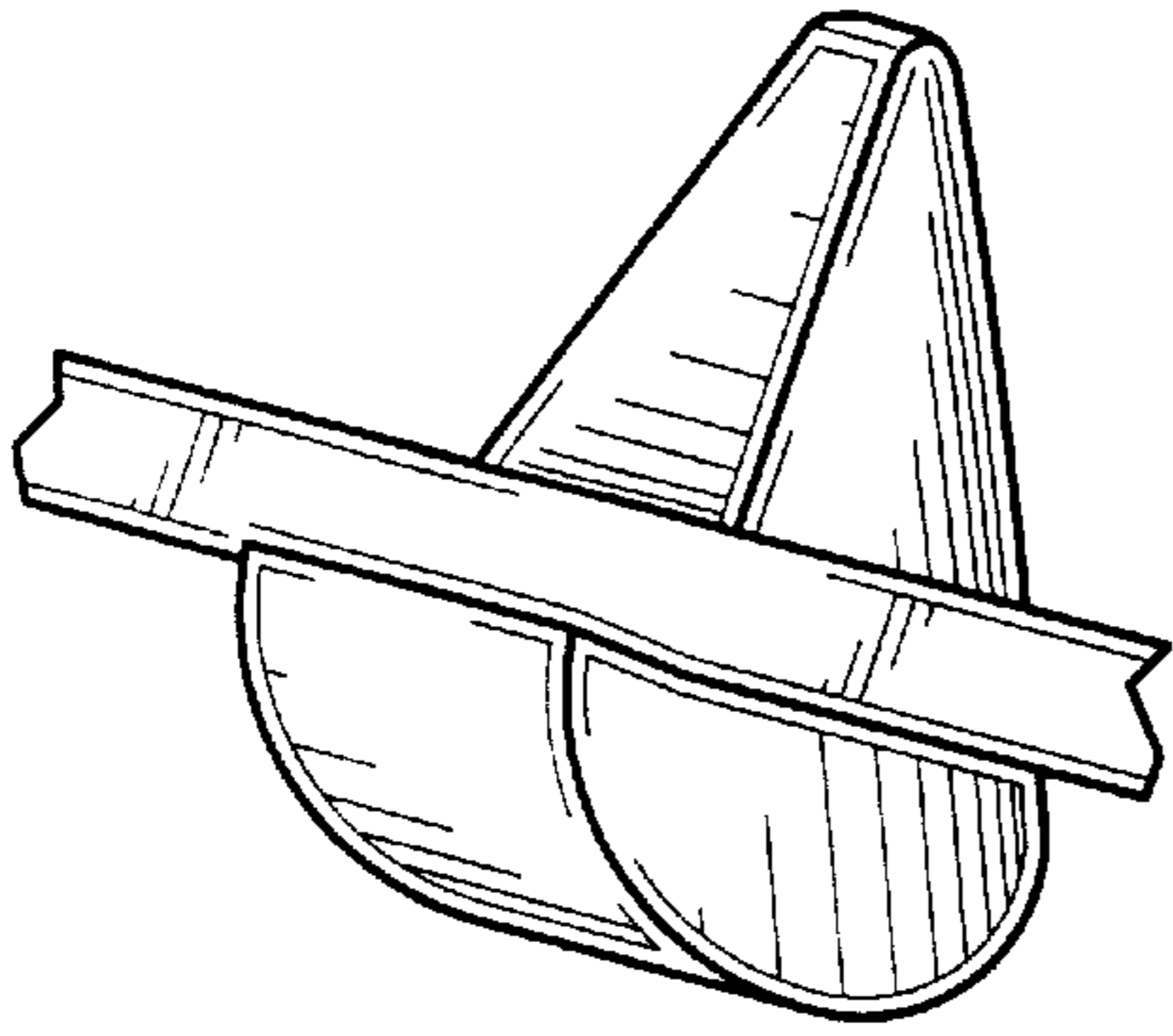


Figure - 1

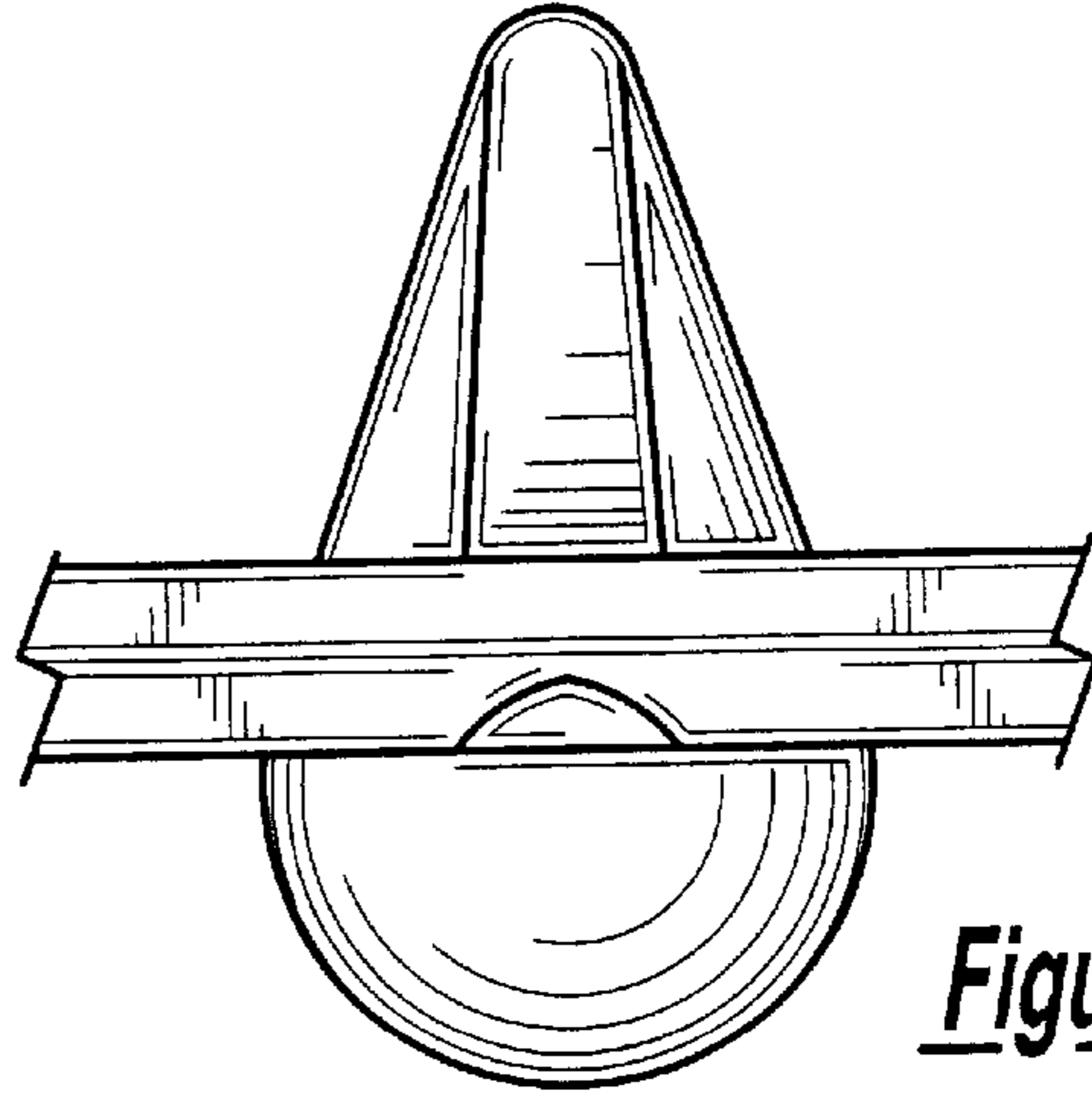


Figure - 2

Figure - 3

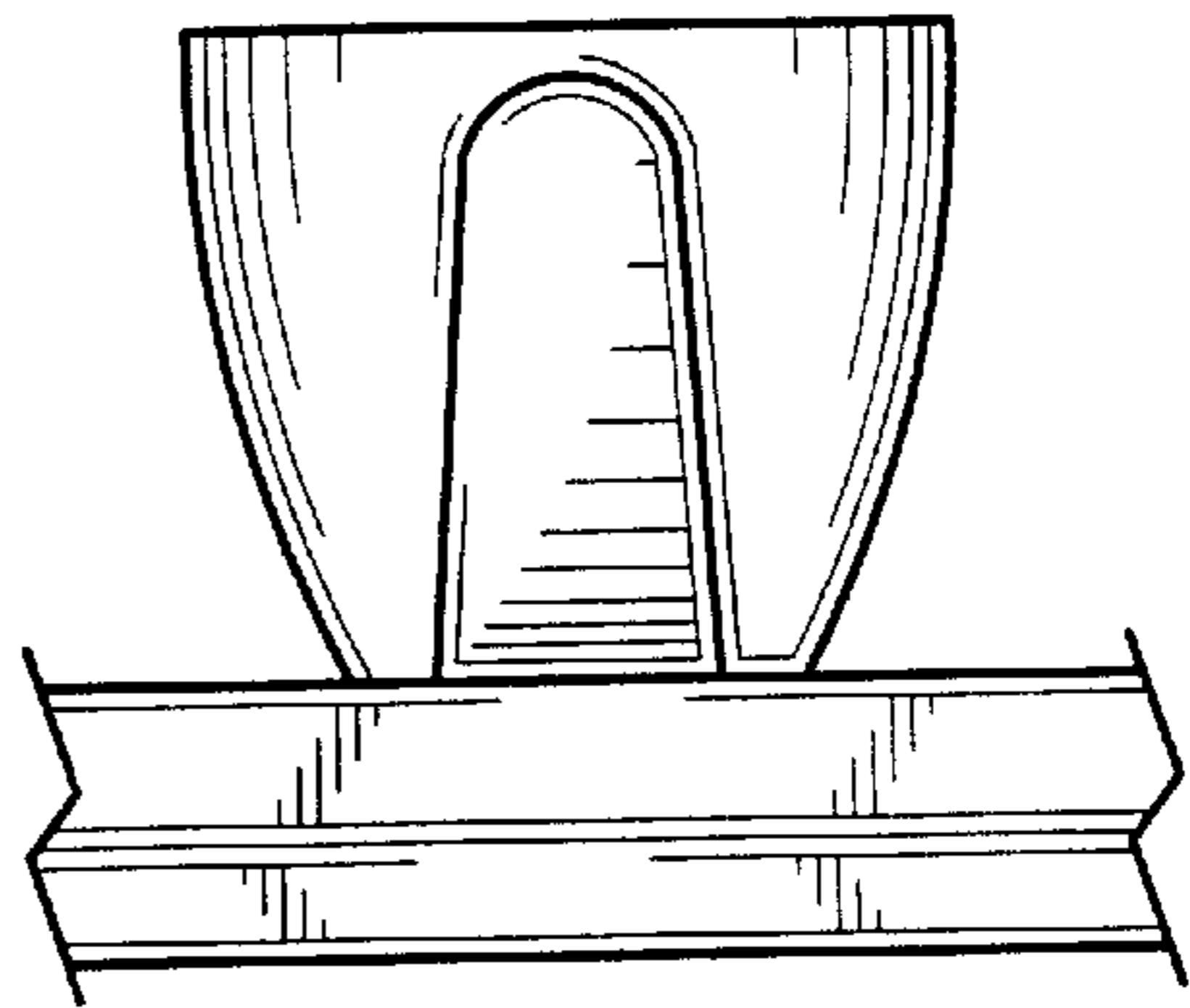
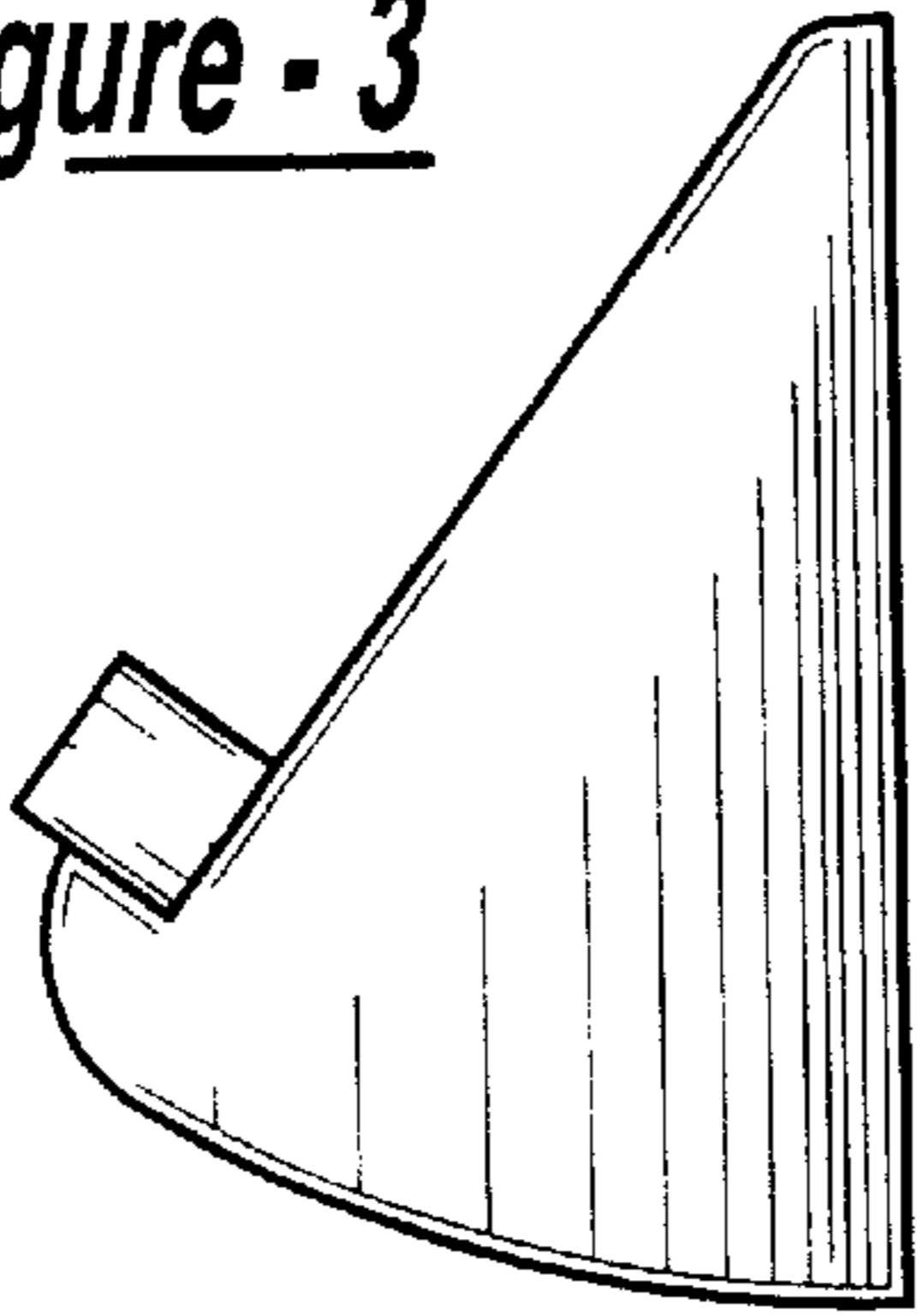


Figure - 4

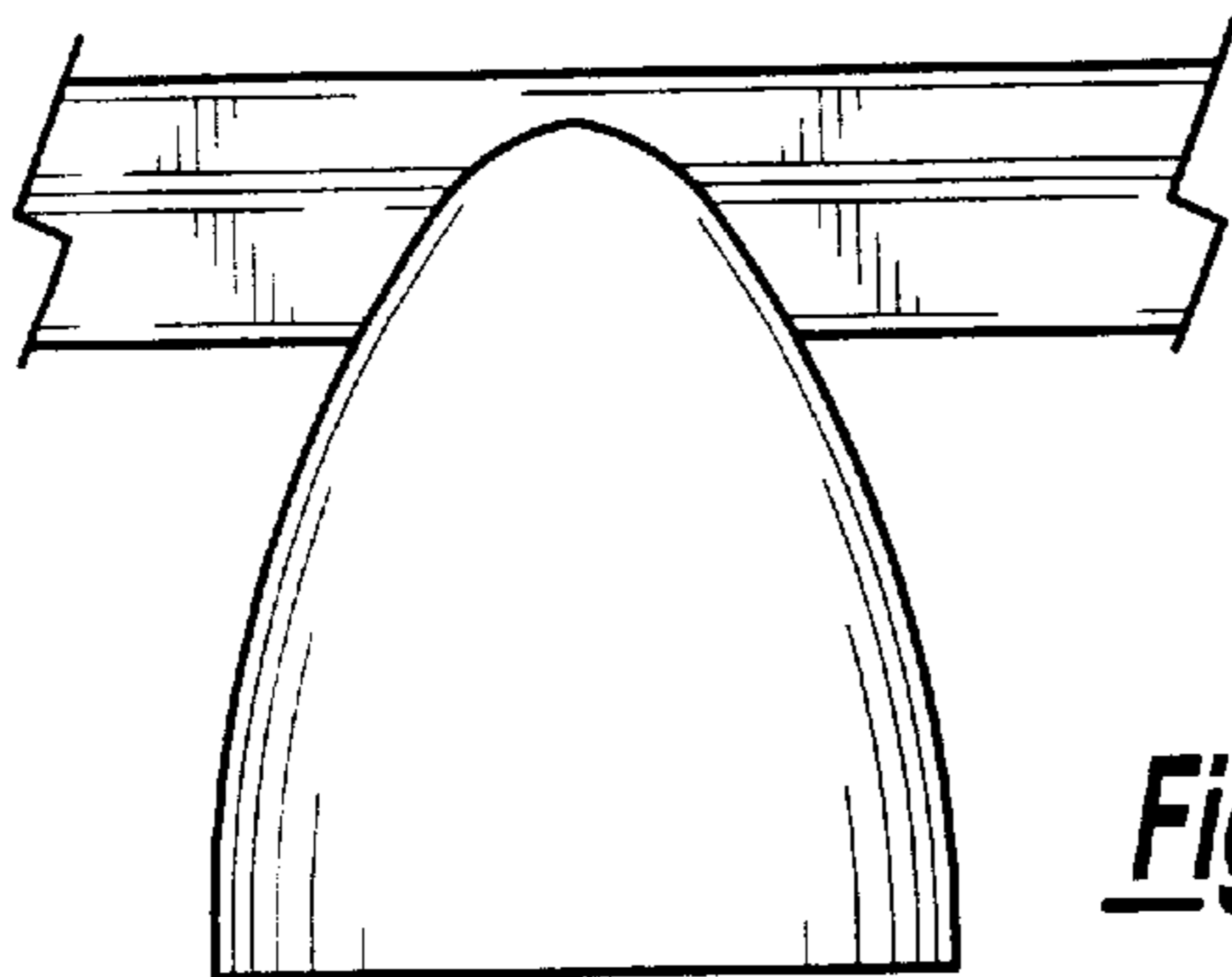


Figure - 5