



US00D432830S

# United States Patent [19]

Gastelum et al.

[11] **Patent Number: Des. 432,830**

[45] **Date of Patent: \*\* Oct. 31, 2000**

[54] **TISSUE PAPER HOLDER**

[75] Inventors: **Jose Gastelum, Verona; Leszek Solowiej, Montville, both of N.J.**

[73] Assignee: **Melard Manufacturing Corp., Passaic, N.J.**

[\*\*] Term: **14 Years**

[21] Appl. No.: **29/117,723**

[22] Filed: **Jan. 31, 2000**

[51] **LOC (7) Cl. .... 23-02**

[52] **U.S. Cl. .... D6/523**

[58] **Field of Search** ..... D6/546, 550; 211/13.1, 211/85.3, 86, 87, 95, 96, 123, 181.1; 248/205.1, 302, 309.1, 315

[56] **References Cited**

**U.S. PATENT DOCUMENTS**

D. 277,347 1/1985 Thompson ..... D6/546 X

D. 293,184 12/1987 Chap ..... D6/546  
D. 304,402 11/1989 Van Hoose ..... D6/546 X  
D. 382,752 8/1997 Goodman et al. .... D6/546  
2,567,873 11/1951 Zelov ..... 248/309.1 X  
4,637,582 1/1987 Boda ..... 248/309.1 X

*Primary Examiner*—Brian N. Vinson  
*Attorney, Agent, or Firm*—Edgar A. Zarins; Lloyd D. Doigan

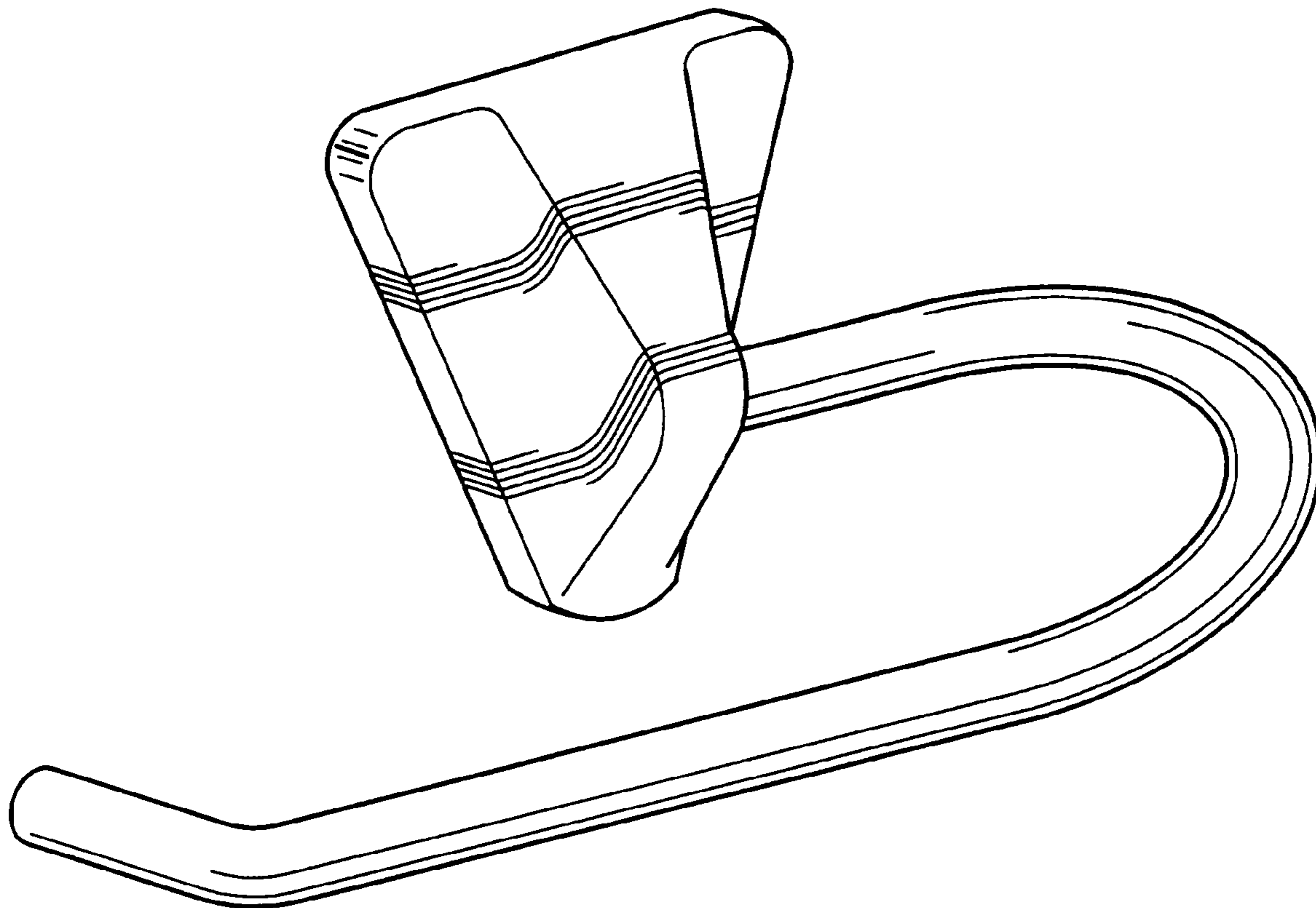
[57] **CLAIM**

The ornamental design for a tissue paper holder, as shown and described.

**DESCRIPTION**

FIG. 1 is a perspective view of a tissue paper holder showing our design;  
FIG. 2 is a left side view thereof;  
FIG. 3 is a front elevation thereof;  
FIG. 4 is a top plan view thereof;  
FIG. 5 is a bottom plan view thereof; and,  
FIG. 6 is a right side view thereof.

**1 Claim, 3 Drawing Sheets**



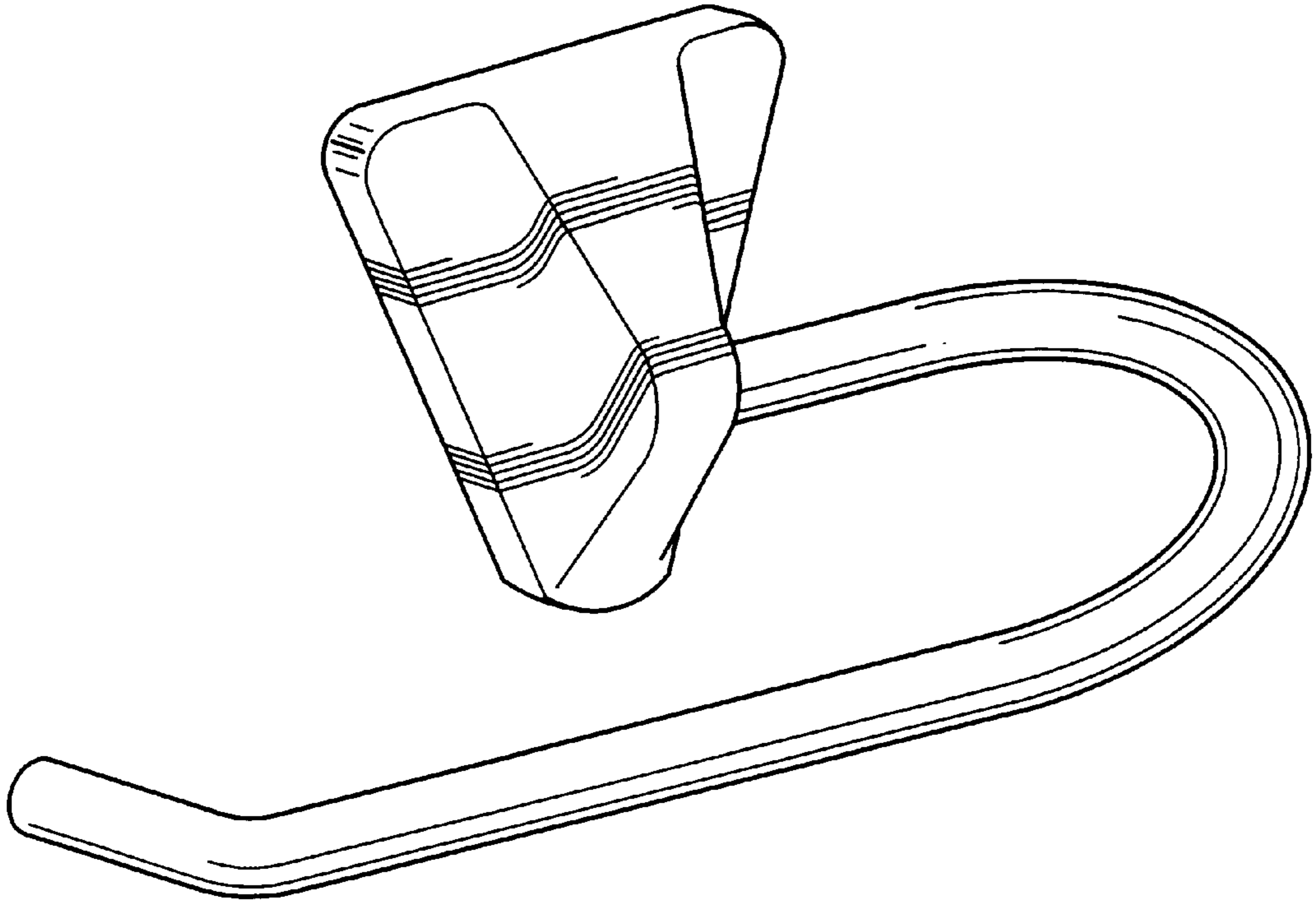


Figure - 1

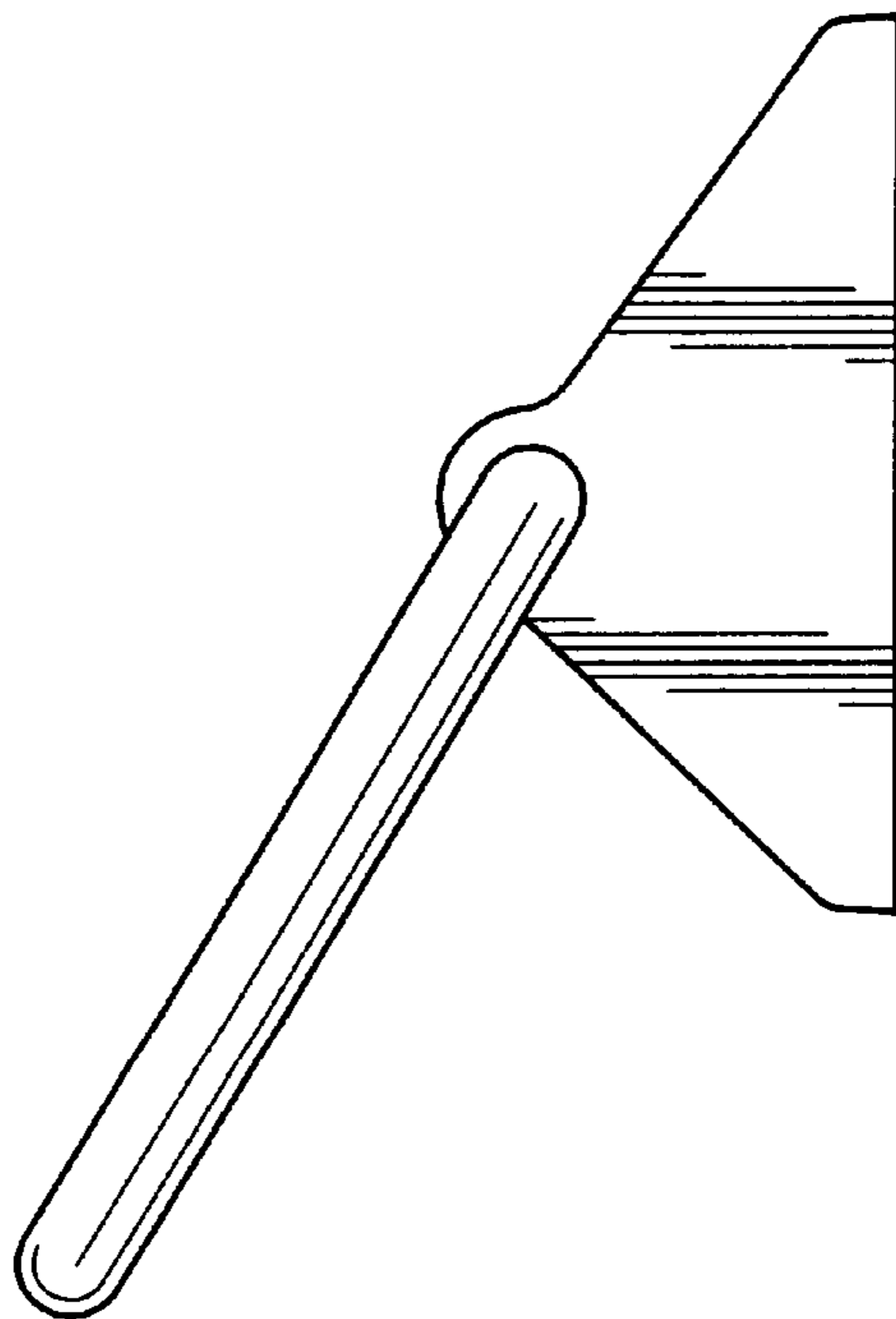


Figure - 2

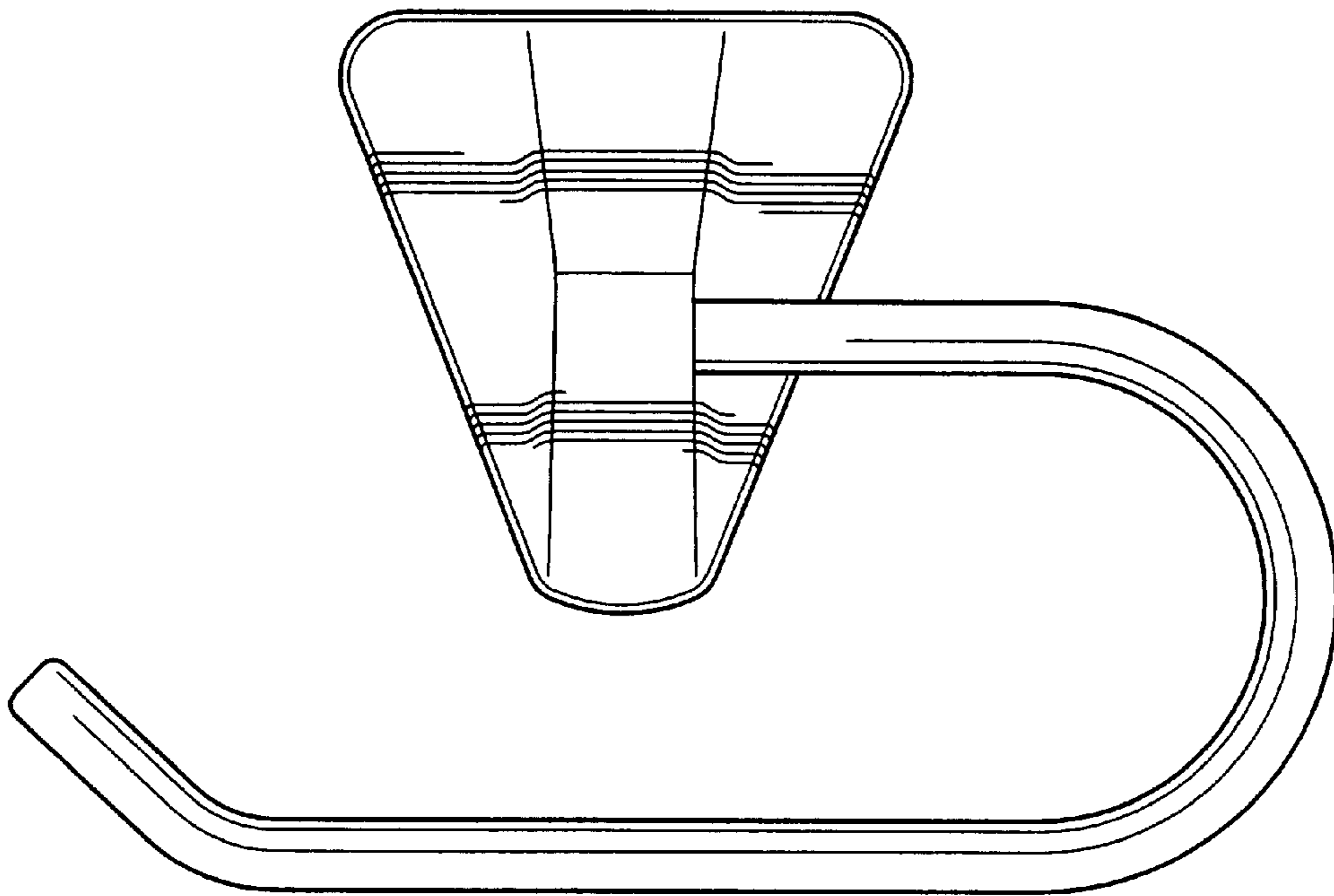


Figure - 3

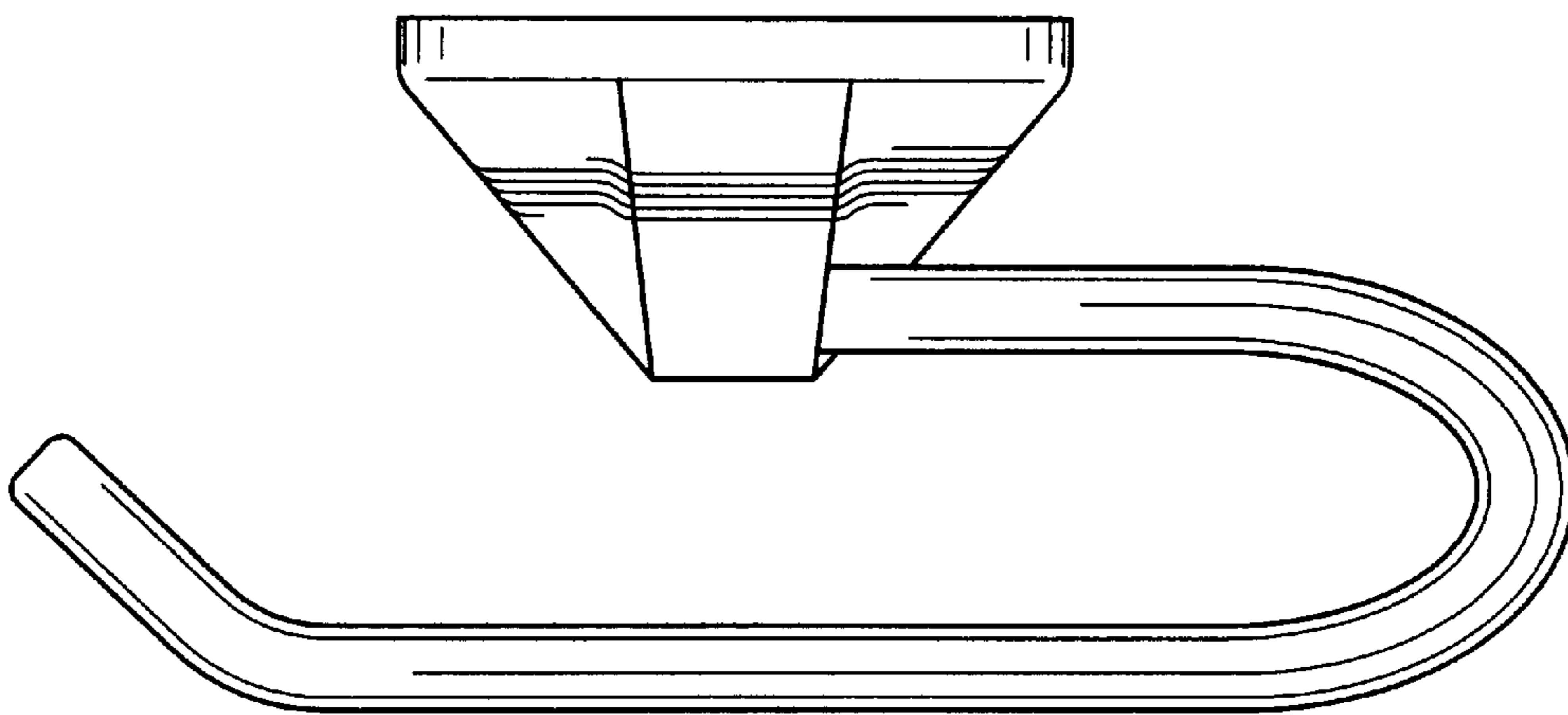


Figure - 4

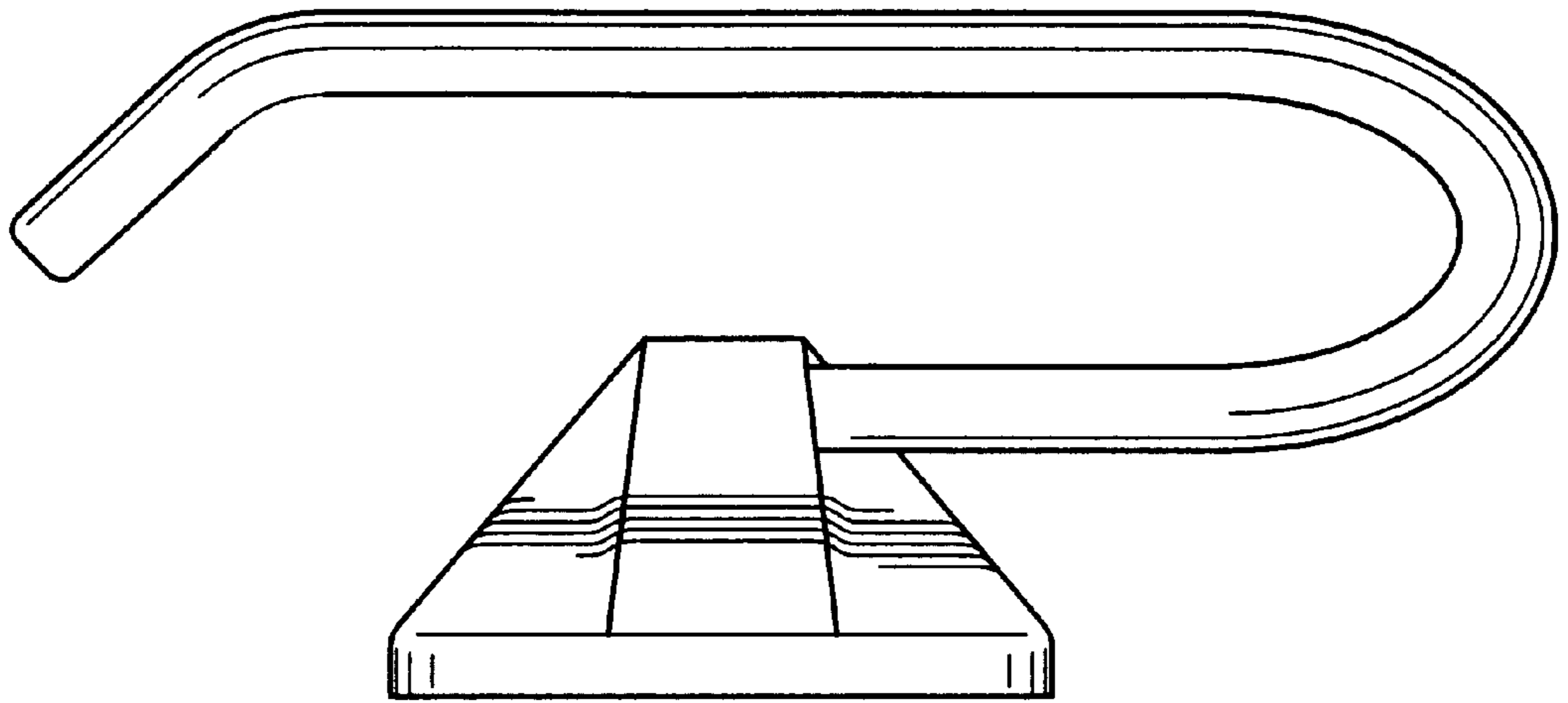


Figure - 5

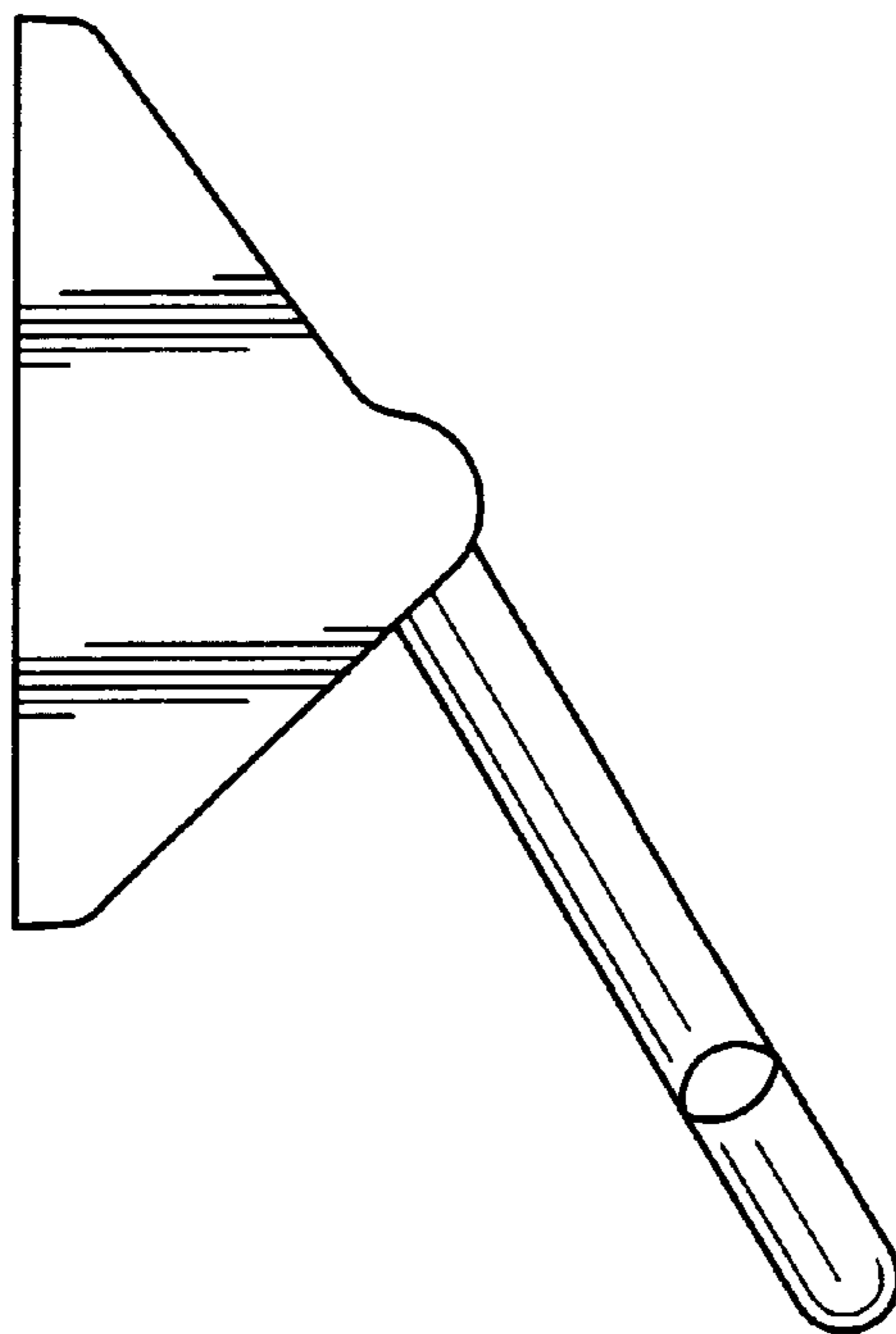


Figure - 6