



US00D432828S

# United States Patent [19] Snell

[11] Patent Number: Des. 432,828

[45] Date of Patent: \*\* Oct. 31, 2000

[54] PAPER TOWEL HOLDER

[75] Inventor: Russell Benton Snell, Shaker Heights, Ohio

[73] Assignee: InterDesign, Inc., Solon, Ohio

[\*\*] Term: 14 Years

[21] Appl. No.: 29/117,069

[22] Filed: Jan. 14, 2000

[51] LOC (7) Cl. .... 23-02

[52] U.S. Cl. .... D6/522

[58] Field of Search ..... D6/518-523; 211/16; 242/570, 590, 595, 597; 248/309.1, 309.2

[56] References Cited

U.S. PATENT DOCUMENTS

D. 286,720	11/1986	Minuti	.....	D6/521
D. 298,597	11/1988	Bell	.....	D6/521
D. 306,809	3/1990	Joseph	.....	D6/522
D. 356,226	3/1995	Hay	.....	D6/521
D. 373,918	9/1996	Jorgenson	.....	D6/521
D. 419,013	1/2000	Tisdale	.....	D6/521
2,529,420	11/1950	Ramquest	.....	D6/523 X

Primary Examiner—Brian N. Vinson  
Attorney, Agent, or Firm—D. Peter Hochberg; William H. Holt; Michael J. Corrigan

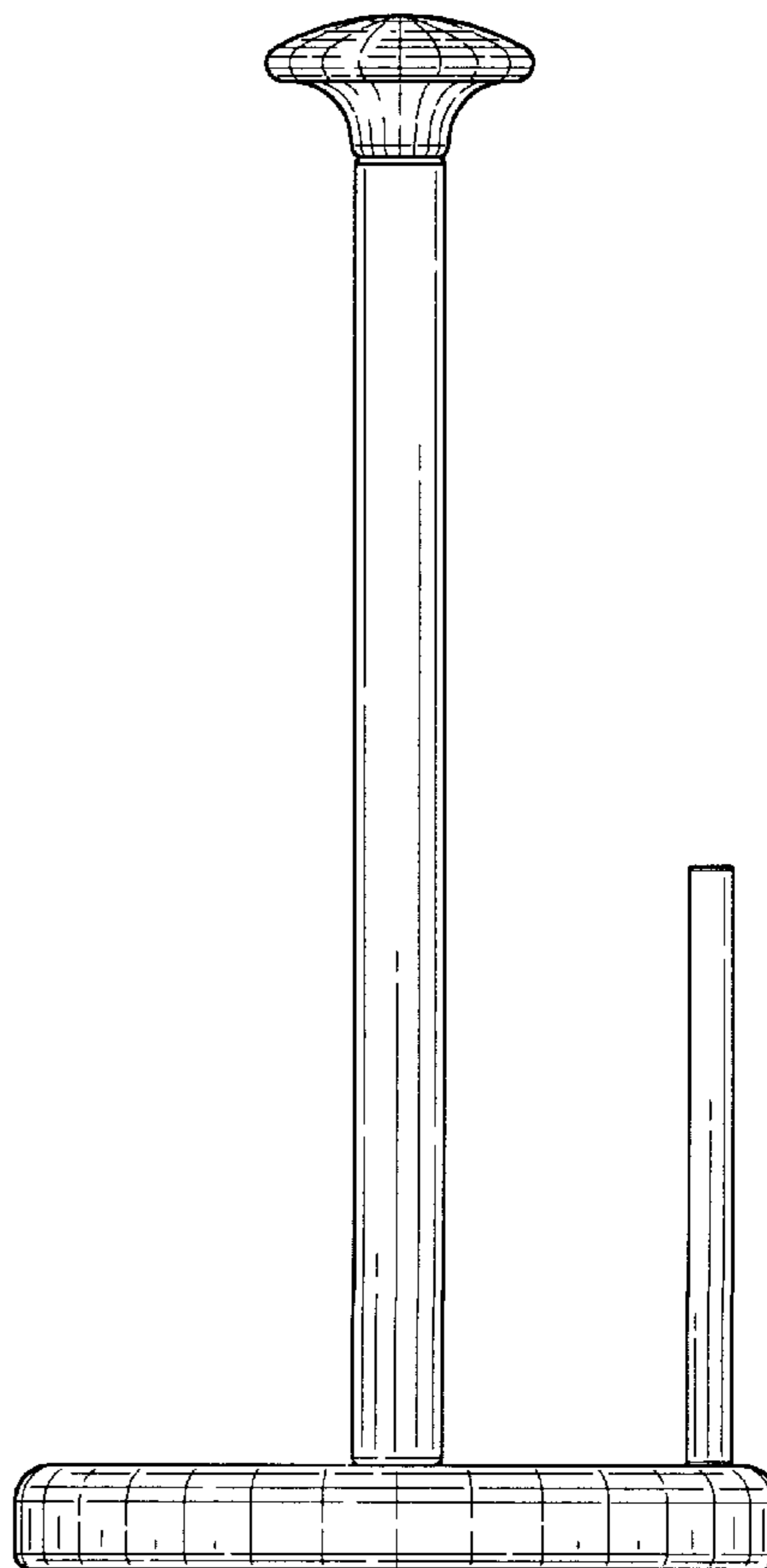
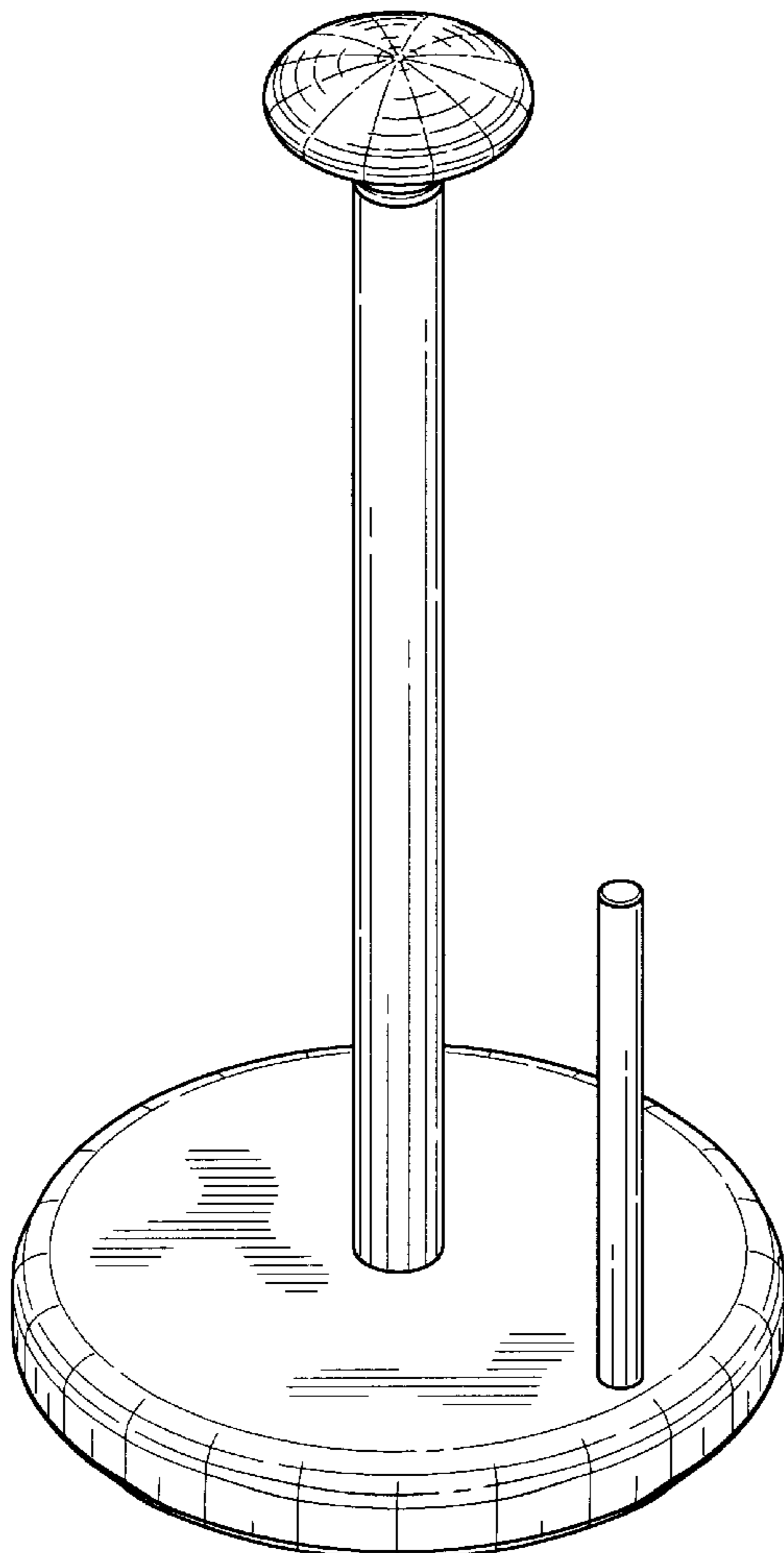
[57] CLAIM

The ornamental design for a paper towel holder, as shown and described.

DESCRIPTION

FIG. 1 is a perspective view of the paper towel holder according to my invention;  
FIG. 2 is a back view of the paper towel holder as shown in FIG. 1;  
FIG. 3 is a left side view of the paper towel holder as shown in FIG. 1;  
FIG. 4 is a top view of the paper towel holder as shown in FIG. 1;  
FIG. 5 is a front view of the paper towel holder as shown in FIG. 1;  
FIG. 6 is a right side view of the paper towel holder as shown in FIG. 1; and,  
FIG. 7 is a bottom view of the paper towel holder as shown in FIG. 1.

1 Claim, 3 Drawing Sheets



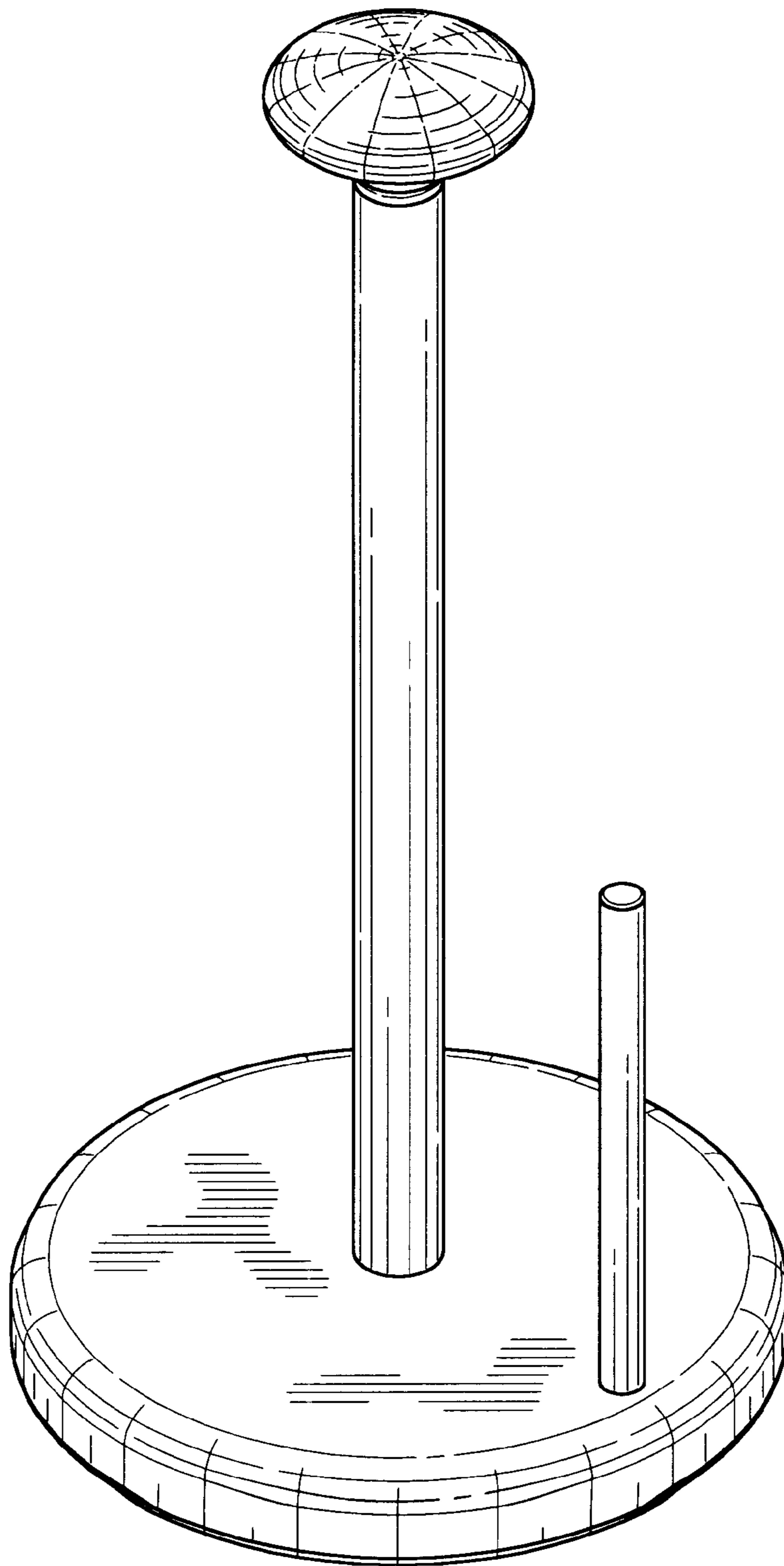


FIG-1

FIG-4

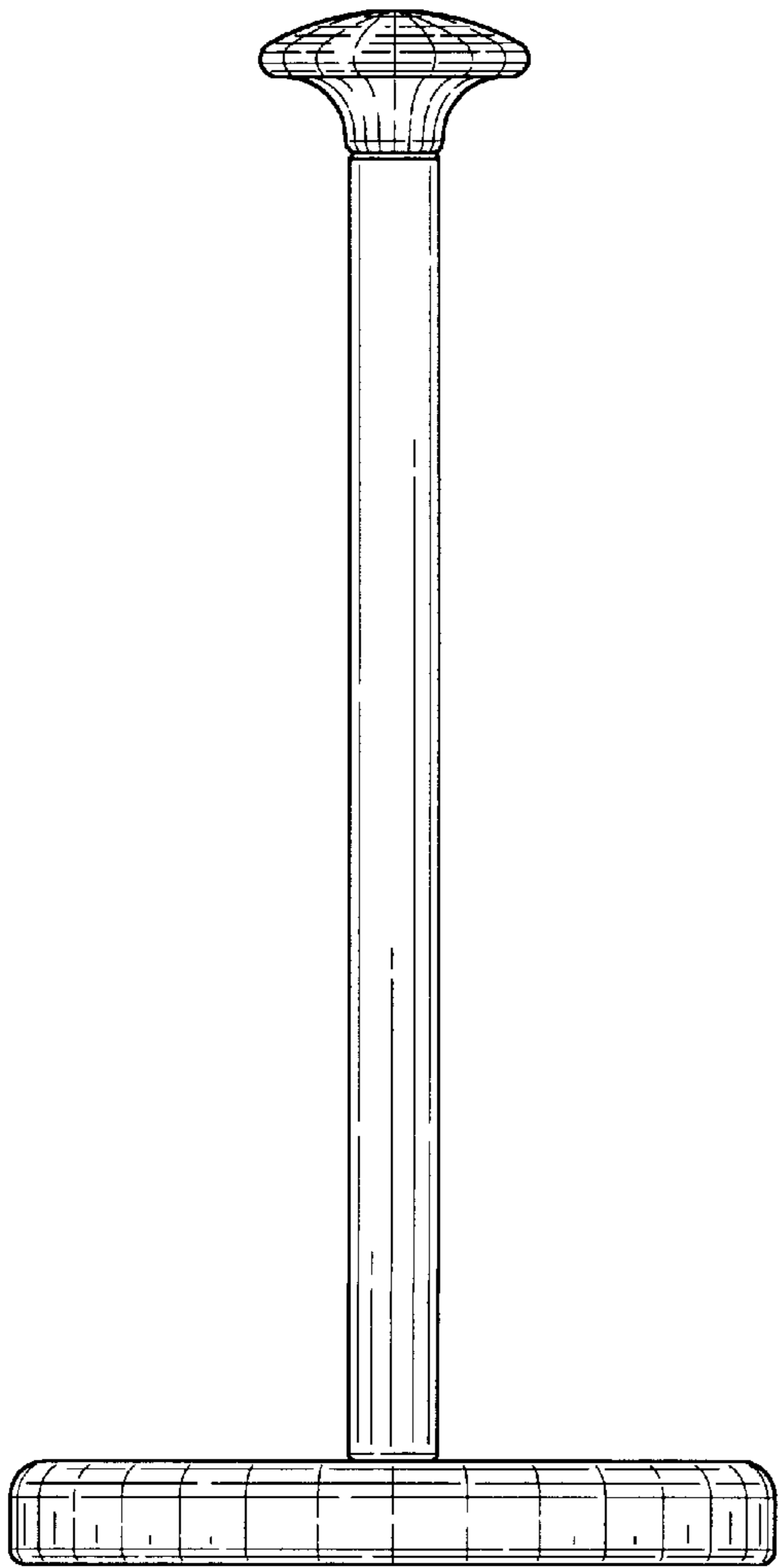
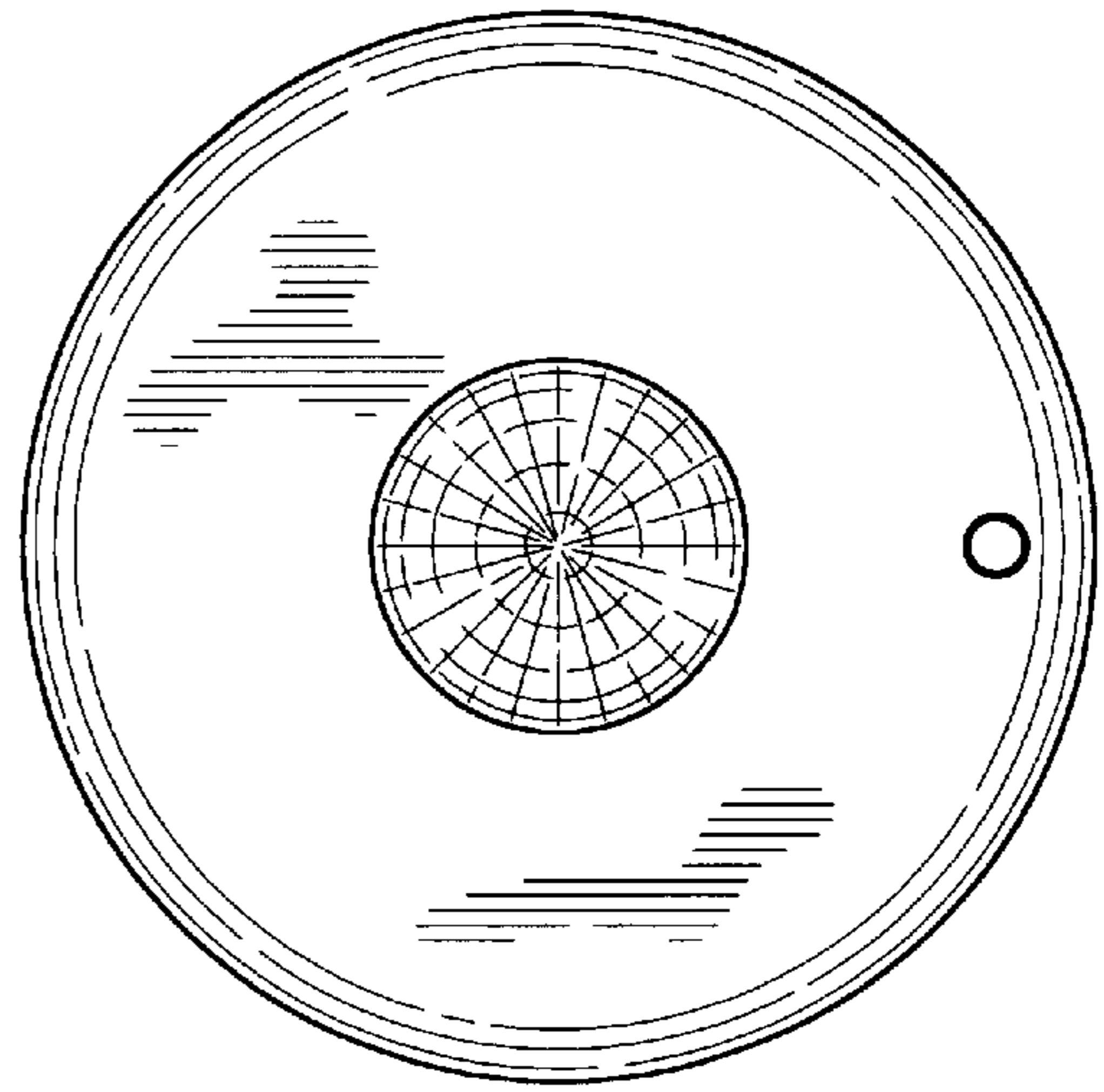


FIG-2

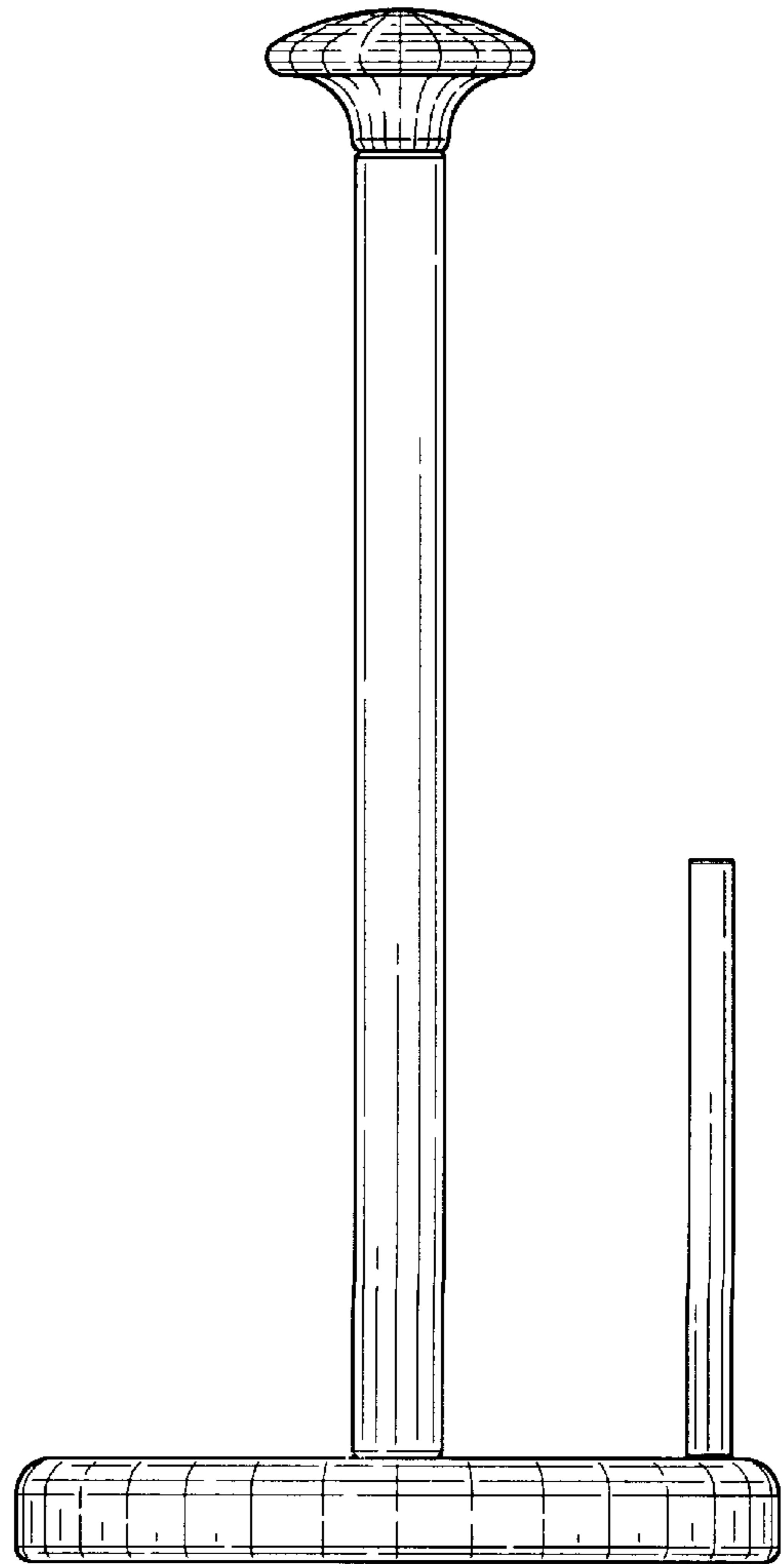


FIG-3

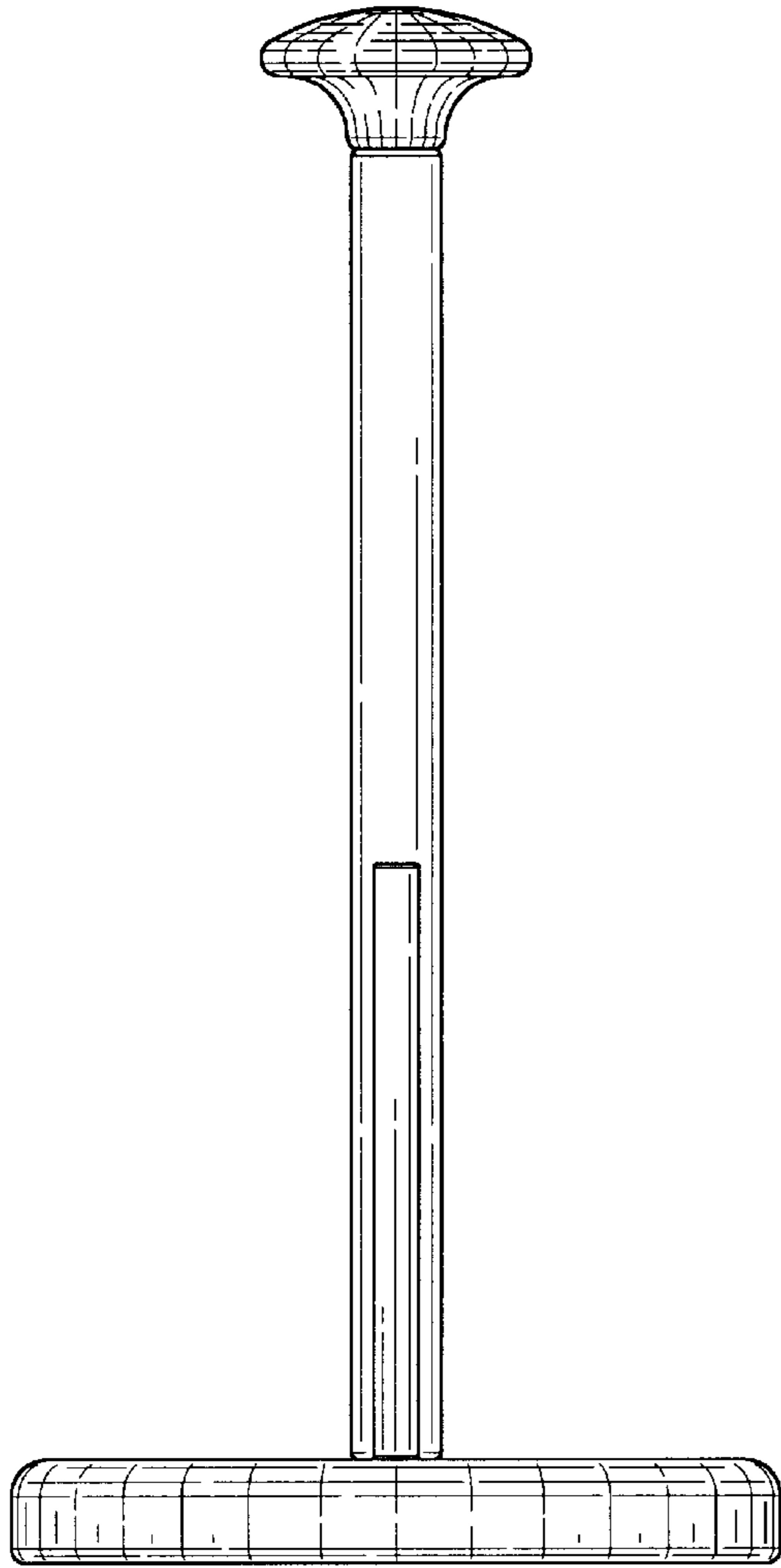


FIG-5

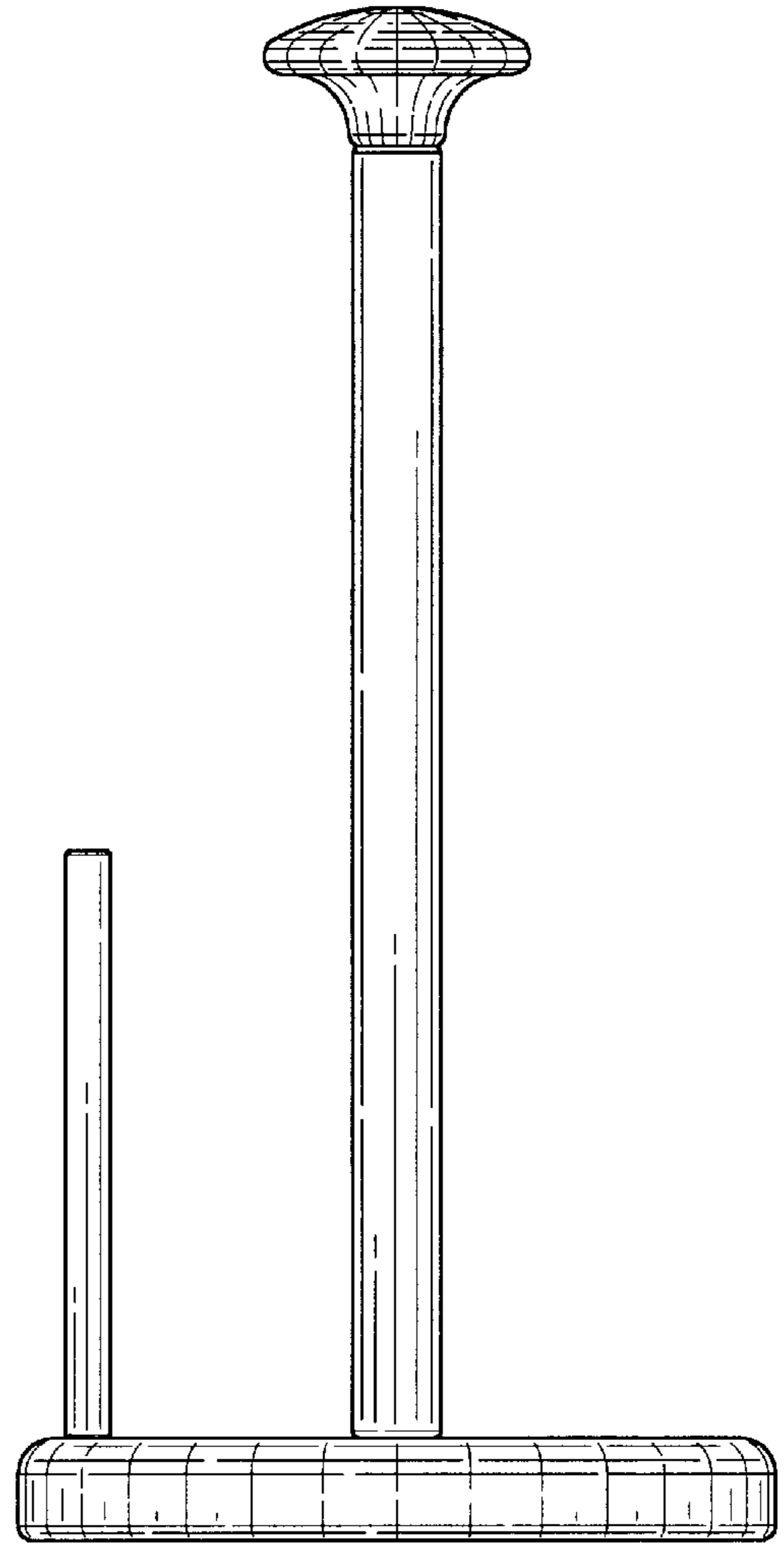


FIG-6

FIG-7

