



US00D432826S

**United States Patent** [19]  
**Shimbo et al.**

[11] **Patent Number: Des. 432,826**  
[45] **Date of Patent: \*\* Oct. 31, 2000**

[54] **DISPENSER FOR PLATE GUMS**  
[75] Inventors: **Masao Shimbo; Shoji Kobayashi**, both  
of Kashiwazaki, Japan  
[73] Assignee: **Bourbon Corporation**, Kashiwazaki,  
Japan  
[\*\*] Term: **14 Years**  
[21] Appl. No.: **29/120,412**  
[22] Filed: **Mar. 16, 2000**

4,170,914 10/1979 Carrier .  
4,465,208 8/1984 Buban et al. .  
5,353,956 10/1994 Wilson .  
5,370,219 12/1994 Violett, Jr. .... 206/37 X  
5,649,642 7/1997 Mabry et al. .

**FOREIGN PATENT DOCUMENTS**

741062 2/1995 Japan .  
8282748 10/1996 Japan .

*Primary Examiner*—Brian N. Vinson  
*Attorney, Agent, or Firm*—Birch, Stewart, Kolasch & Birch,  
LLP.

**Related U.S. Application Data**

[62] Division of application No. 29/103,925, Apr. 26, 1999.  
[51] **LOC (7) Cl.** ..... **20-02**  
[52] **U.S. Cl.** ..... **D6/515**  
[58] **Field of Search** ..... D6/515, 517; D3/201;  
206/38, 37, 39, 39.4, 445; D9/800, 414,  
418, 499

[57] **CLAIM**

The ornamental design for a dispenser for plate gums, as shown and described.

**DESCRIPTION**

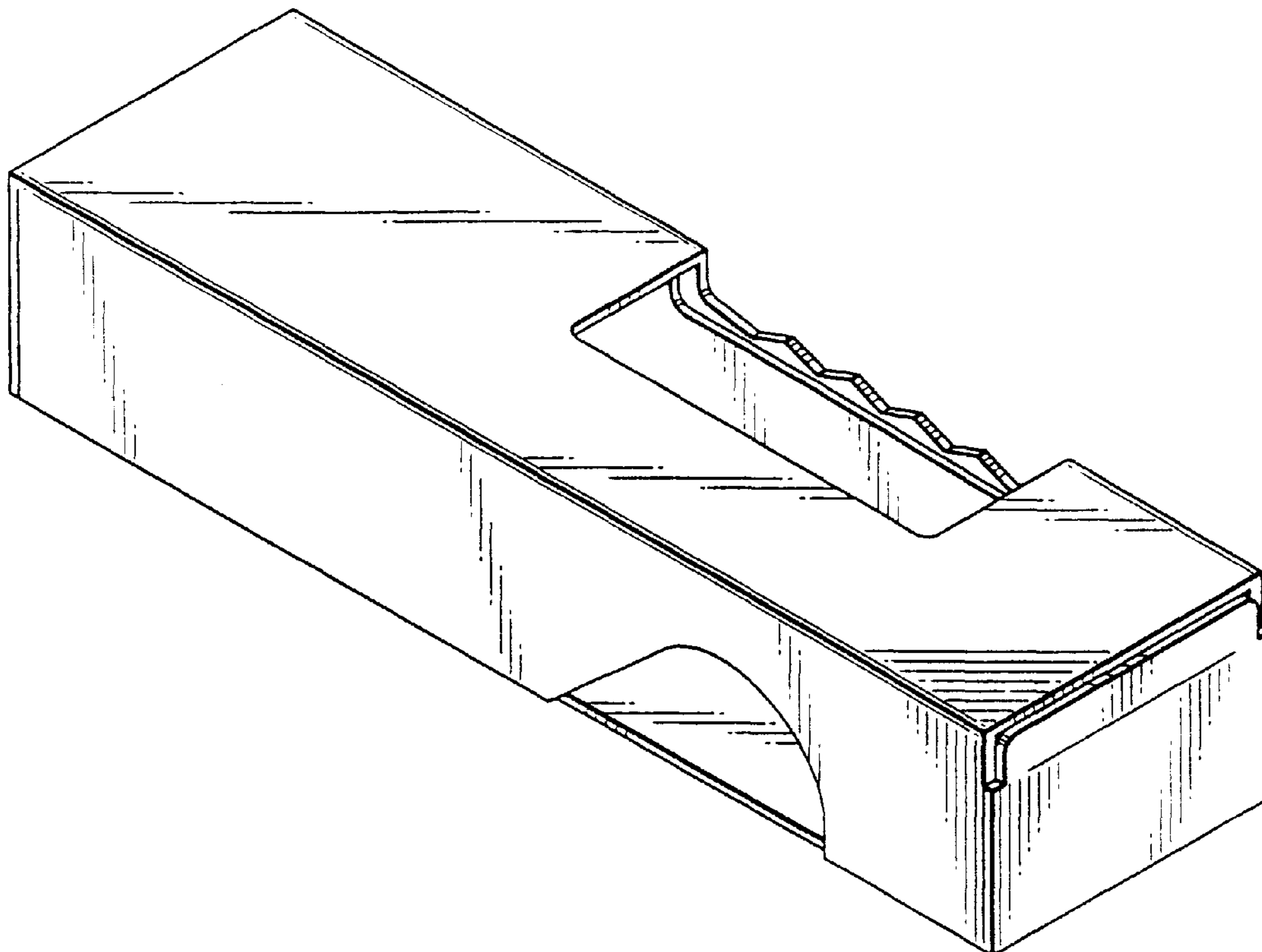
FIG. 1 is a front perspective view of a dispenser for plate gums showing our new design;  
FIG. 2 is a left-side elevational view thereof;  
FIG. 3 is a right-side elevational view thereof;  
FIG. 4 is a front-end elevational view thereof;  
FIG. 5 is a rear-end elevational view thereof;  
FIG. 6 is a top plan view thereof;  
FIG. 7 is a bottom view thereof; and,  
FIG. 8 is a reference view showing the state wherein a sheet of paper board is drawn in the same dimensions as a real dispenser commercially available with lines for folding the sheet.

[56] **References Cited**

**U.S. PATENT DOCUMENTS**

D. 331,074 11/1992 Dotterman et al. .... D6/515 X  
D. 332,347 1/1993 Raadt et al. .... D9/414 X  
D. 339,943 10/1993 Romme et al. .... D6/515  
D. 403,188 12/1998 Kansco ..... D6/515  
D. 415,424 10/1999 Hill ..... D6/515 X  
1,155,791 10/1915 Cabell ..... 206/37  
2,197,219 4/1940 Groshong ..... 206/37 X

**1 Claim, 2 Drawing Sheets**



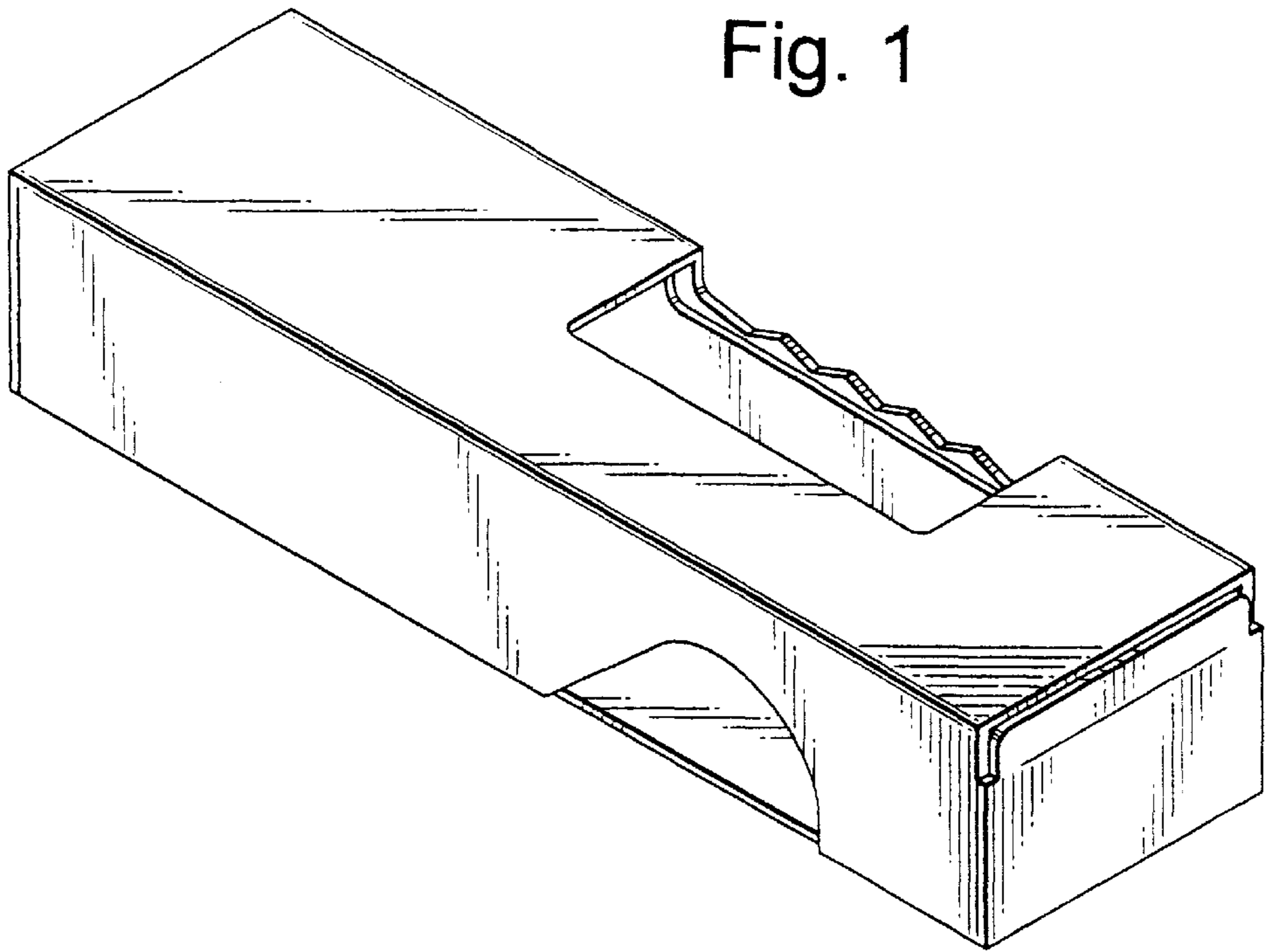


Fig. 2

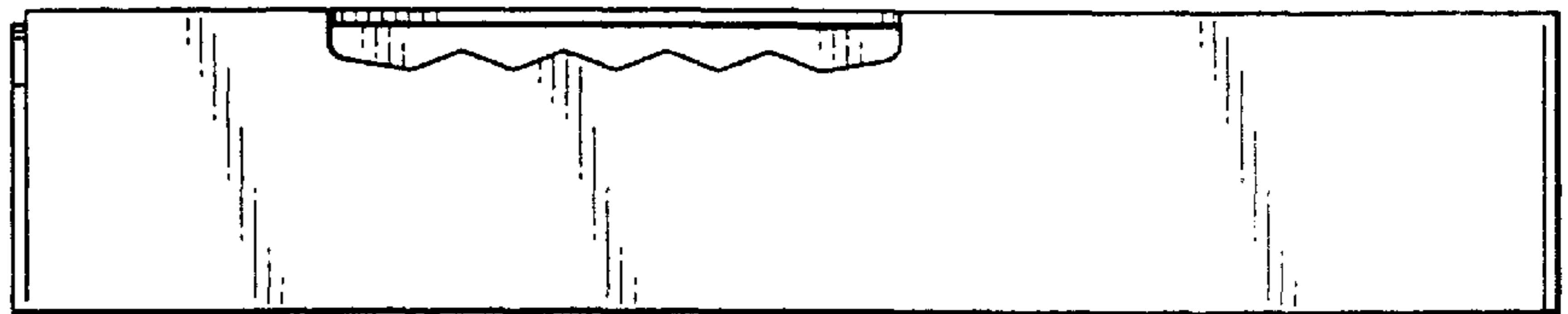


Fig. 4

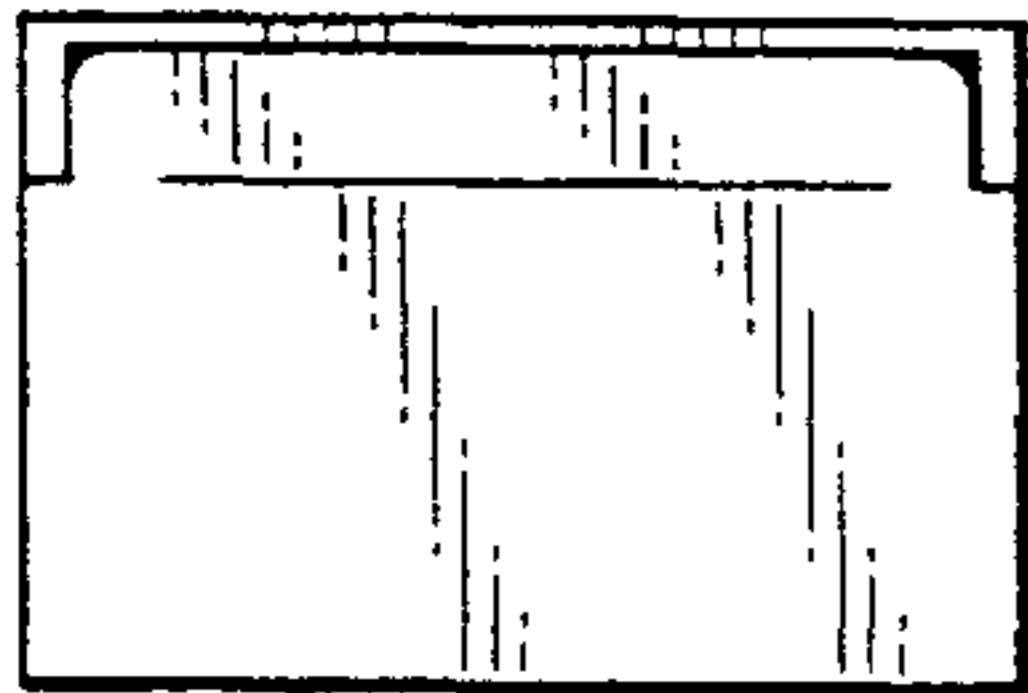


Fig. 3

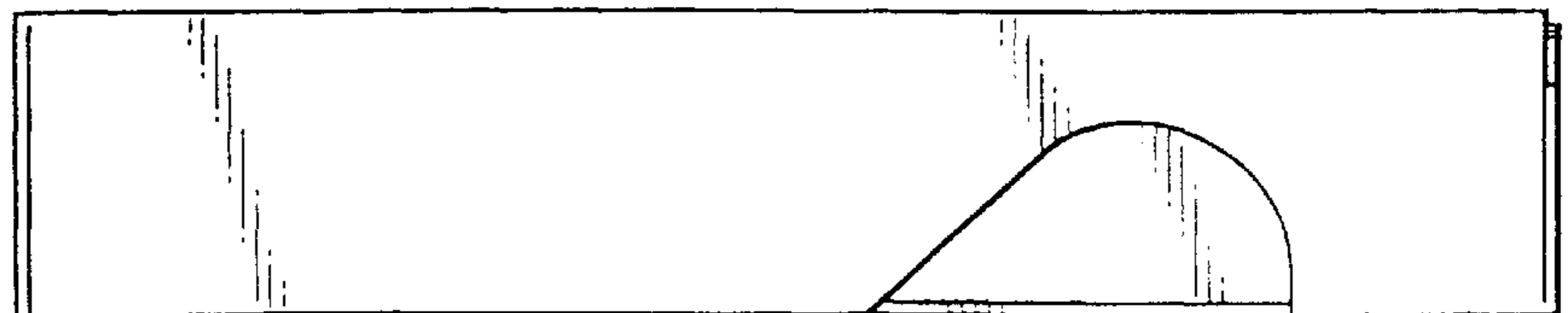


Fig. 5

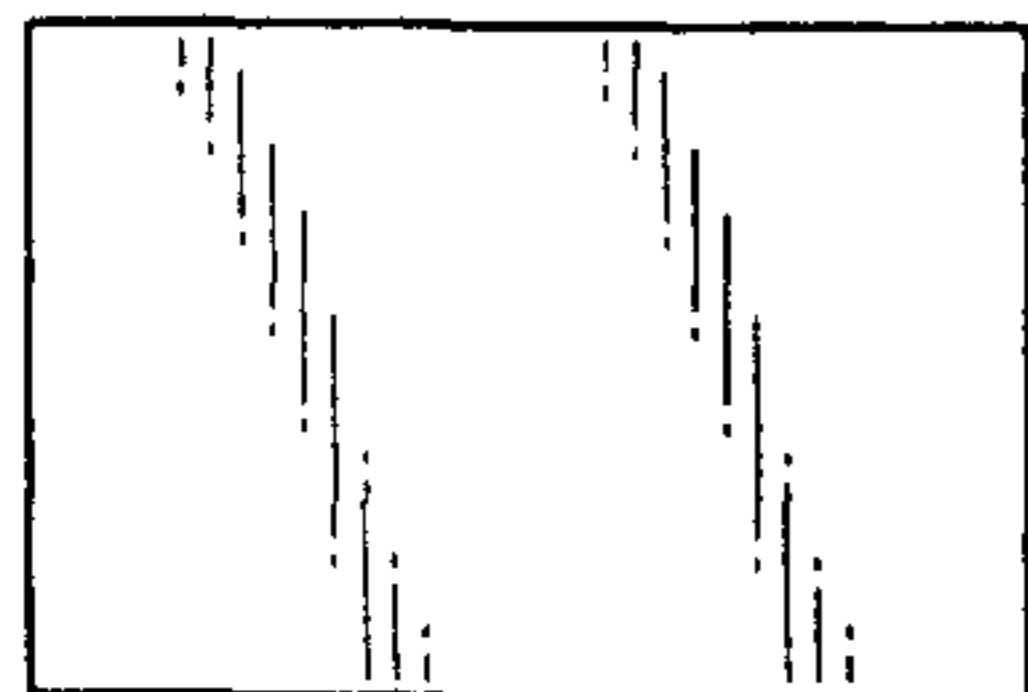


Fig. 6

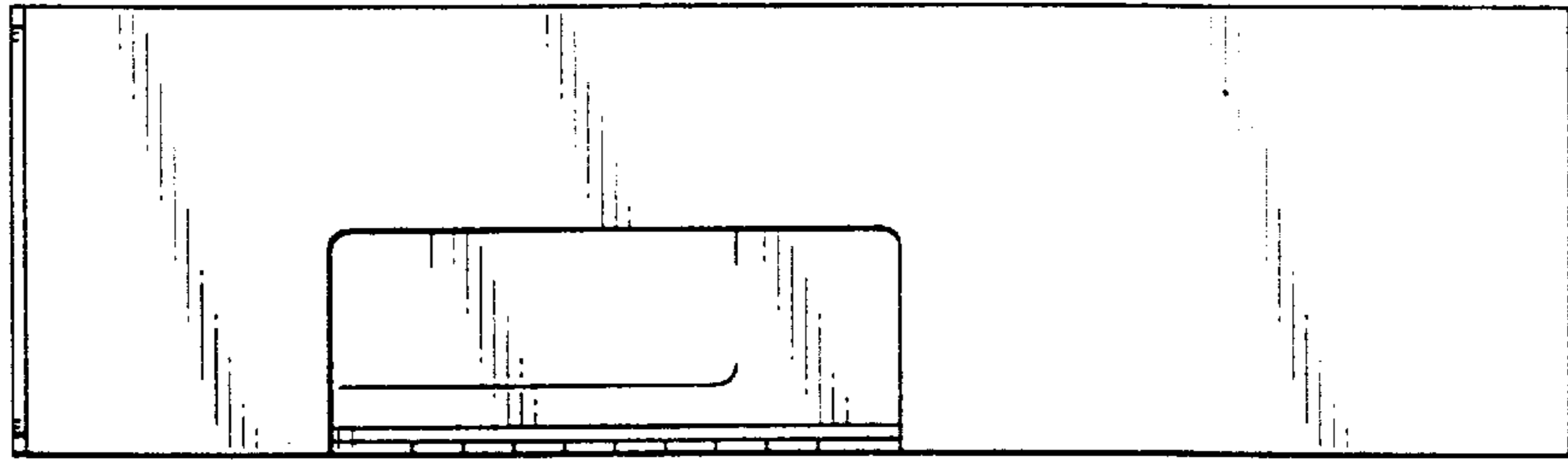


Fig. 7

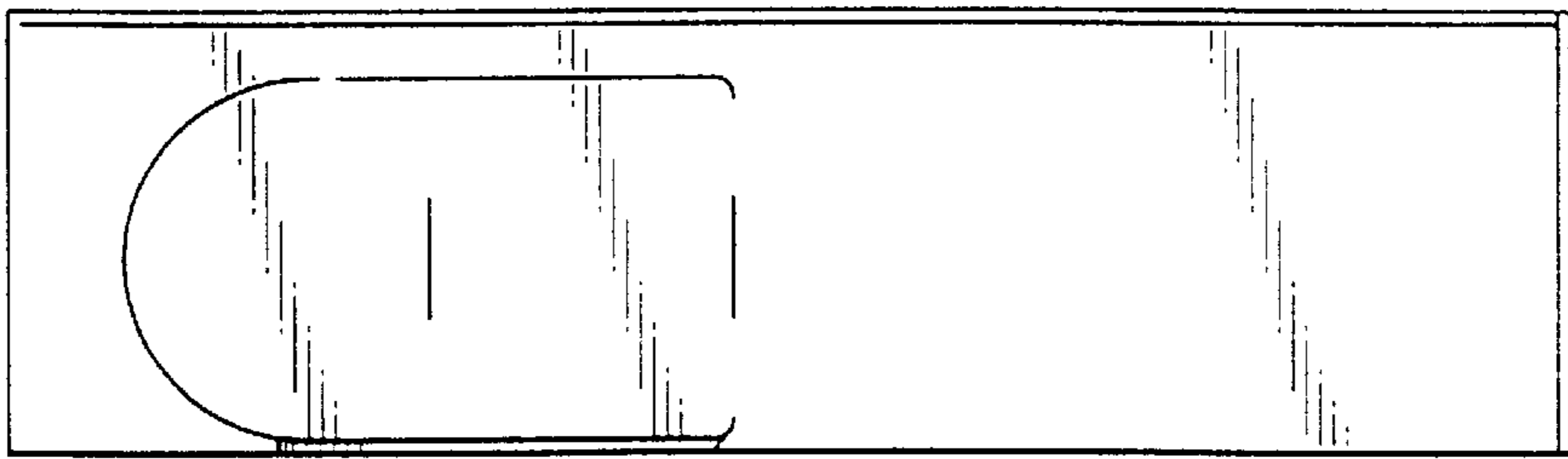


Fig. 8

