



US00D432825S

United States Patent [19]
Shimbo et al.

[11] **Patent Number: Des. 432,825**
[45] **Date of Patent: ** Oct. 31, 2000**

[54] **DISPENSER FOR PLATE GUMS**
[75] Inventors: **Masao Shimbo; Shoji Kobayashi**, both
of Kashiwazaki, Japan
[73] Assignee: **Bourbon Corporation**, Kashiwazaki,
Japan
[**] Term: **14 Years**

D. 339,943 10/1993 Romme et al. D6/515
D. 403,188 12/1998 Kansco D6/515
D. 415,424 10/1999 Hill D6/515 X
1,155,791 10/1915 Cabell 206/37
2,197,219 4/1940 Groshong 206/37 X
4,170,914 10/1979 Carrier .
4,465,208 8/1984 Buban et al. .
5,353,956 10/1994 Wilson .
5,370,219 12/1994 Violett, Jr. 206/37 X
5,649,642 7/1997 Mabry et al. .

[21] Appl. No.: **29/120,411**
[22] Filed: **Mar. 16, 2000**

FOREIGN PATENT DOCUMENTS

7-41062 2/1995 Japan .
8-282748 10/1996 Japan .

Related U.S. Application Data

[62] Division of application No. 29/103,924, Apr. 26, 1999, Pat.
No. Des. 430,436.

Primary Examiner—Brian N. Vinson
Attorney, Agent, or Firm—Birch, Stewart, Kolasch & Birch,
LLP.

[51] **LOC (7) Cl.** **20-02**
[52] **U.S. Cl.** **D6/515**
[58] **Field of Search** D6/515, 517; D3/201;
206/38, 37, 39, 39.4, 449, 800; D9/414,
418, 499

[57] **CLAIM**

The ornamental design for a dispenser for plate gums, as
shown and described.

[56] **References Cited**

DESCRIPTION

FIG. 1 is a perspective view of a dispenser for plate gums or
the like showing our new design; and,
FIG. 2 is a top view thereof.

U.S. PATENT DOCUMENTS

D. 331,074 11/1992 Dotterman et al. D6/515 X
D. 332,347 1/1993 Raadt et al. D9/414 X

1 Claim, 1 Drawing Sheet

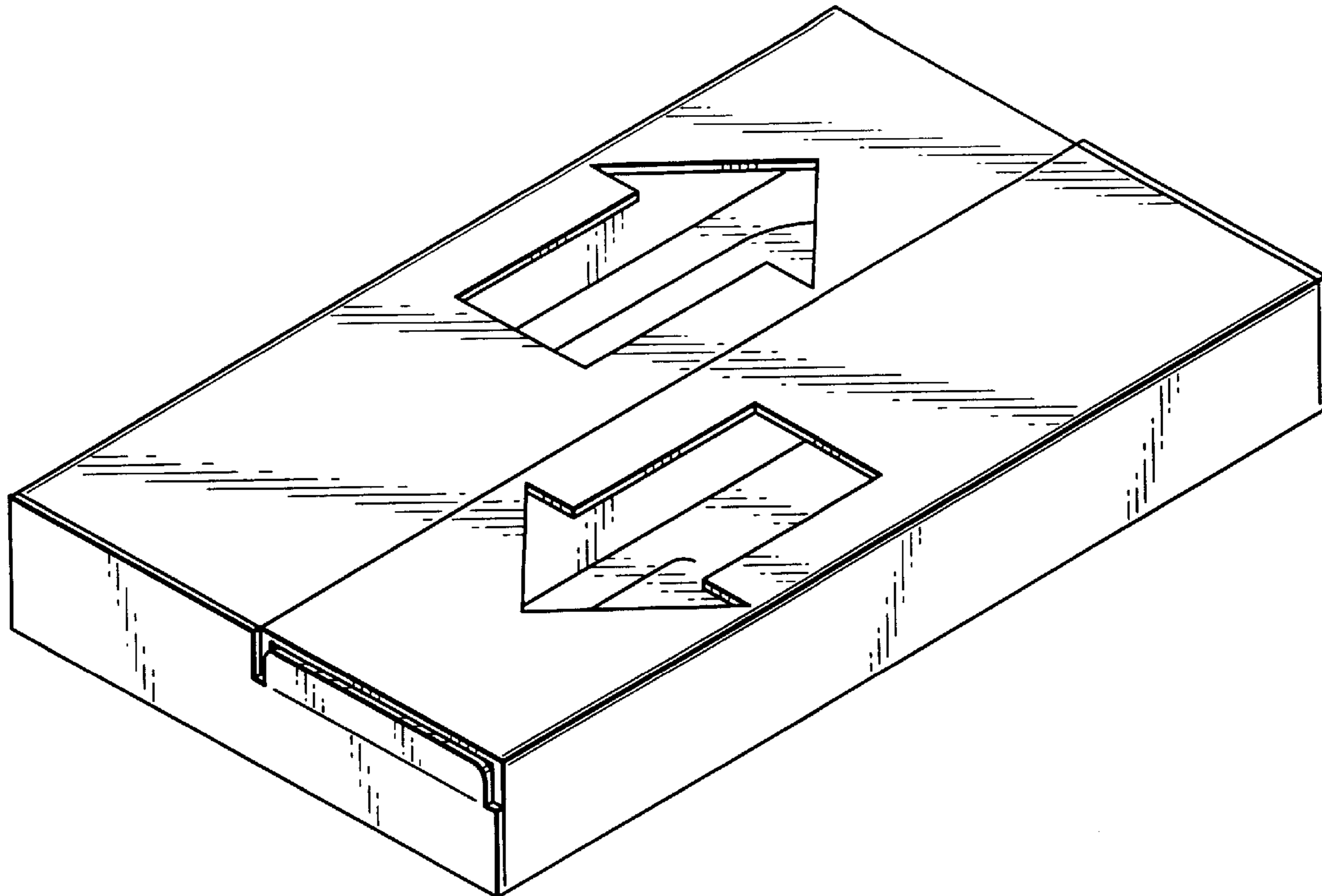


Fig. 1

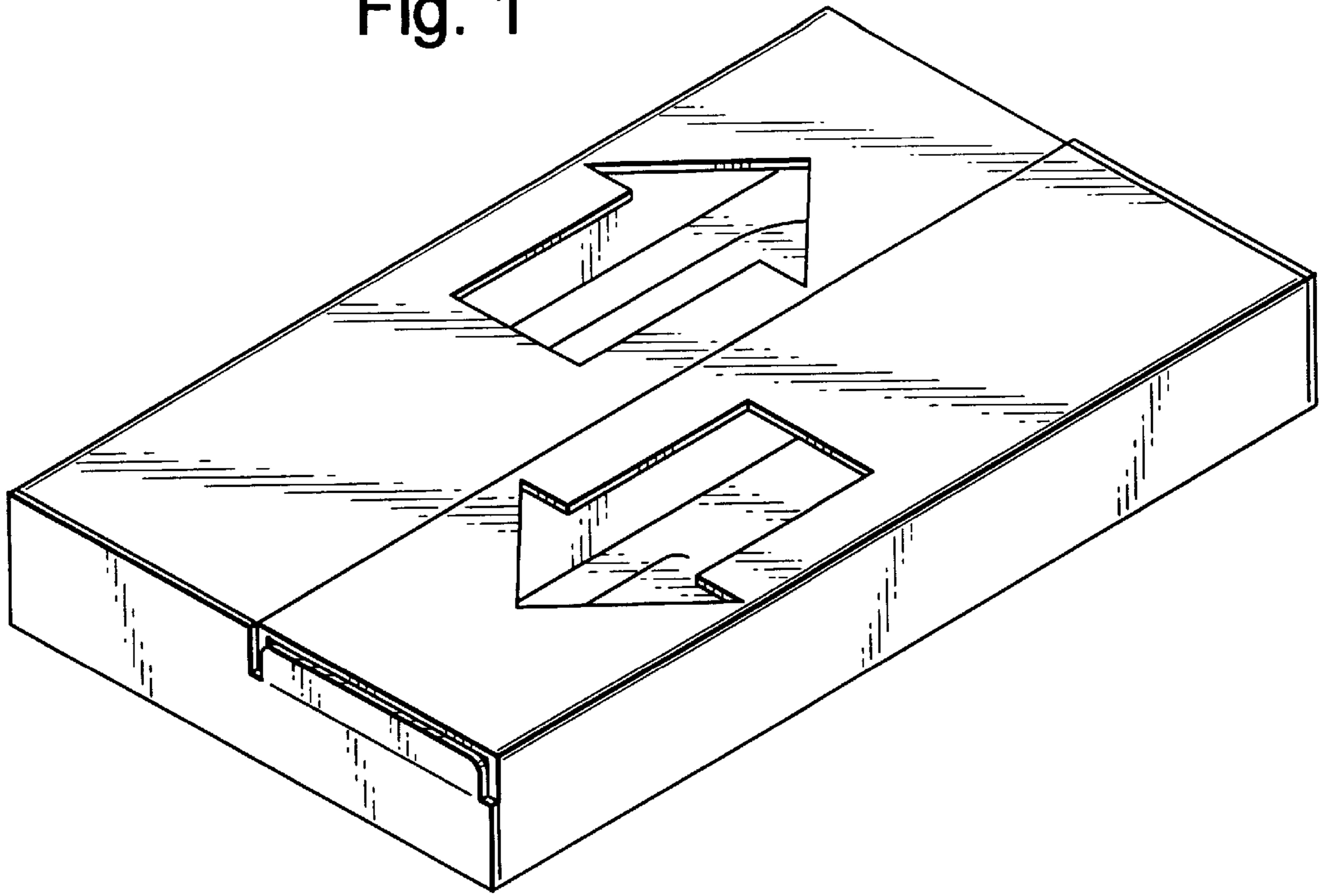
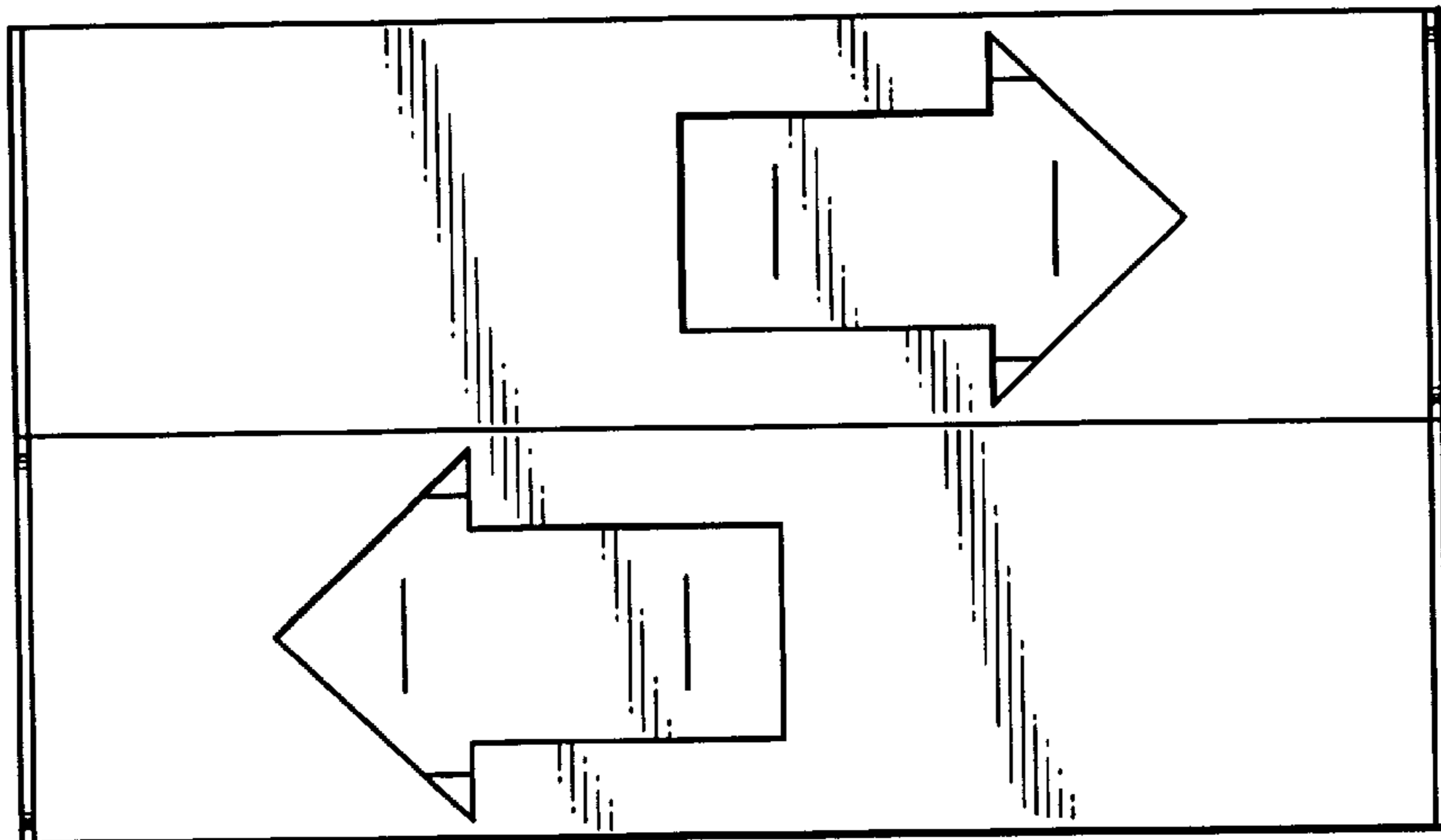


FIG. 2



UNITED STATES PATENT AND TRADEMARK OFFICE
CERTIFICATE OF CORRECTION

PATENT NO. : Des 432,825
DATED : October 31, 2000
INVENTOR(S) : Masao Shimbo et al.

Page 1 of 1

It is certified that error appears in the above-identified patent and that said Letters Patent is hereby corrected as shown below:

In section [54] please change the title from "DISPENSER FOR PLATE GUMS" to
-- DISPENSER FOR PLATE GUMS OR THE LIKE --.

Signed and Sealed this
Nineteenth Day of June, 2001

Attest:

Nicholas P. Godici

Attesting Officer

NICHOLAS P. GODICI
Acting Director of the United States Patent and Trademark Office