



US00D432824S

United States Patent [19] Scheffer

[11] **Patent Number: Des. 432,824**

[45] **Date of Patent: ** Oct. 31, 2000**

[54] **DESKTOP WITH CONCAVE PULL-OUT TRAY**

D. 407,587 4/1999 Grabowski D6/511
5,481,987 1/1996 Maitland 312/196

[75] Inventor: **Robert Allen Scheffer**, Lynchburg, Va.

Primary Examiner—Janice E. Seeger
Attorney, Agent, or Firm—Rhodes & Mason, P.L.L.C.

[73] Assignee: **Thomasville Furniture Industries, Inc.**, Thomasville, N.C.

[57] **CLAIM**

[**] Term: **14 Years**

The ornamental design for a desktop with concave pull-out tray, as shown and described.

[21] Appl. No.: **29/112,333**

DESCRIPTION

[22] Filed: **Oct. 14, 1999**

[51] **LOC (7) Cl.** **06-06**

[52] **U.S. Cl.** **D6/511; D6/482**

[58] **Field of Search** D6/480-489, 422-428,
D6/511, 406.3; 108/153.1, 155, 156, 161,
50.01, 50.02; 312/194-196, 208.1

FIG. 1 is a right front perspective view of a desktop with concave pull-out tray showing my new design;
FIG. 2 is a left front perspective view thereof with the tray in the pulled-out position;
FIG. 3 is a left side elevational view thereof, the right side being a mirror image thereof;
FIG. 4 is a front elevational view thereof; and,
FIG. 5 is a top view of the design shown in FIG. 1.

[56] **References Cited**

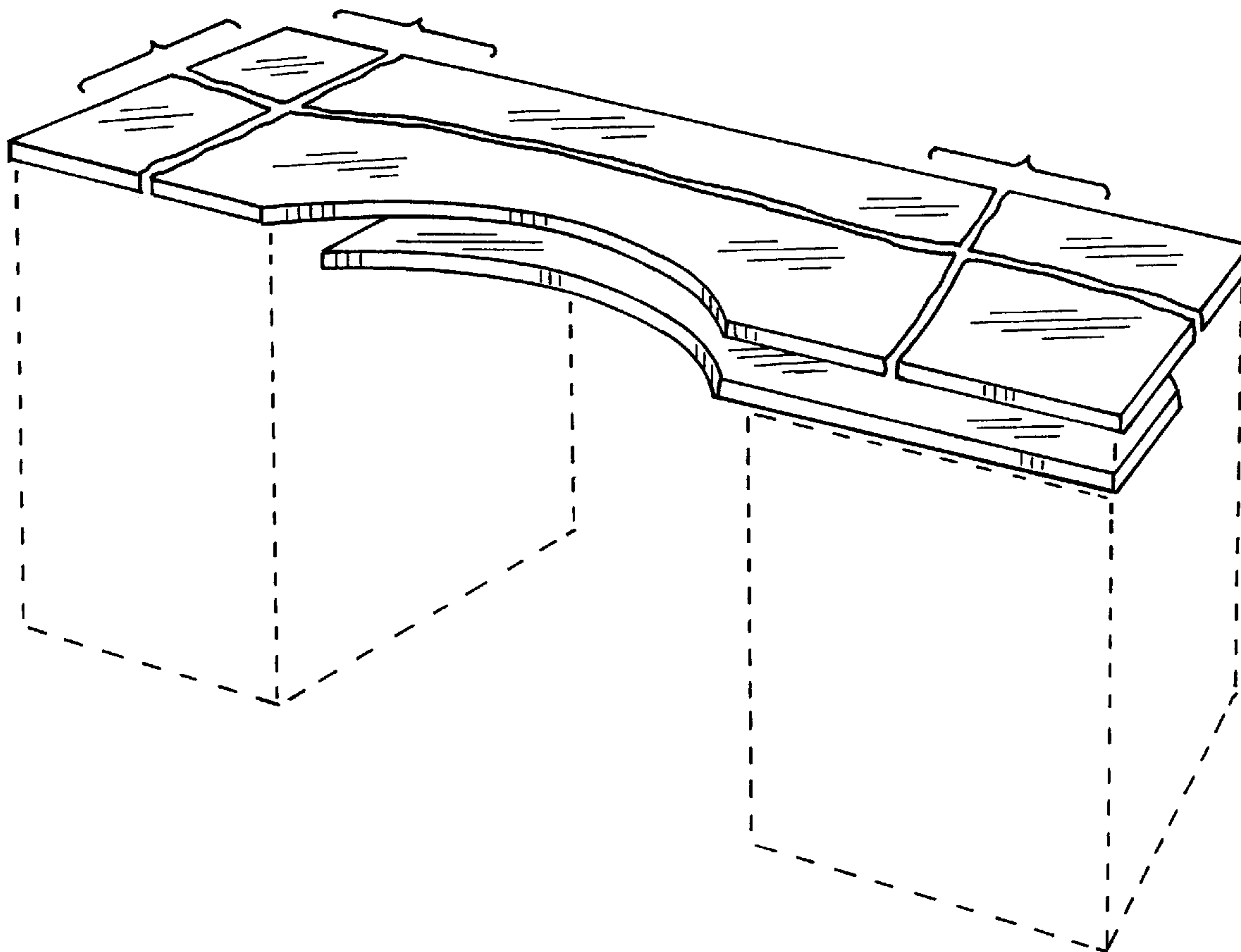
U.S. PATENT DOCUMENTS

D. 296,172	6/1988	Worrell et al.	D6/509
D. 330,124	10/1992	Short	D6/422
D. 381,835	8/1997	Corpuz, Jr. et al.	D6/426
D. 389,335	1/1998	Tilley	D6/422
D. 392,132	3/1998	Barlow-Lawson	D6/511
D. 403,186	12/1998	Kopish	D6/511
D. 403,904	1/1999	Machael et al.	D6/511

The views are shown broken away to indicate indeterminate length. The portion of the lower shelf not shown in FIGS. 1, 2 and 3 are not part of the claimed design.

The bottom and rear views of the design are not shown and form no part of the claimed design. The dashed lines represent environmental elements only and form no part of the claimed design.

1 Claim, 2 Drawing Sheets



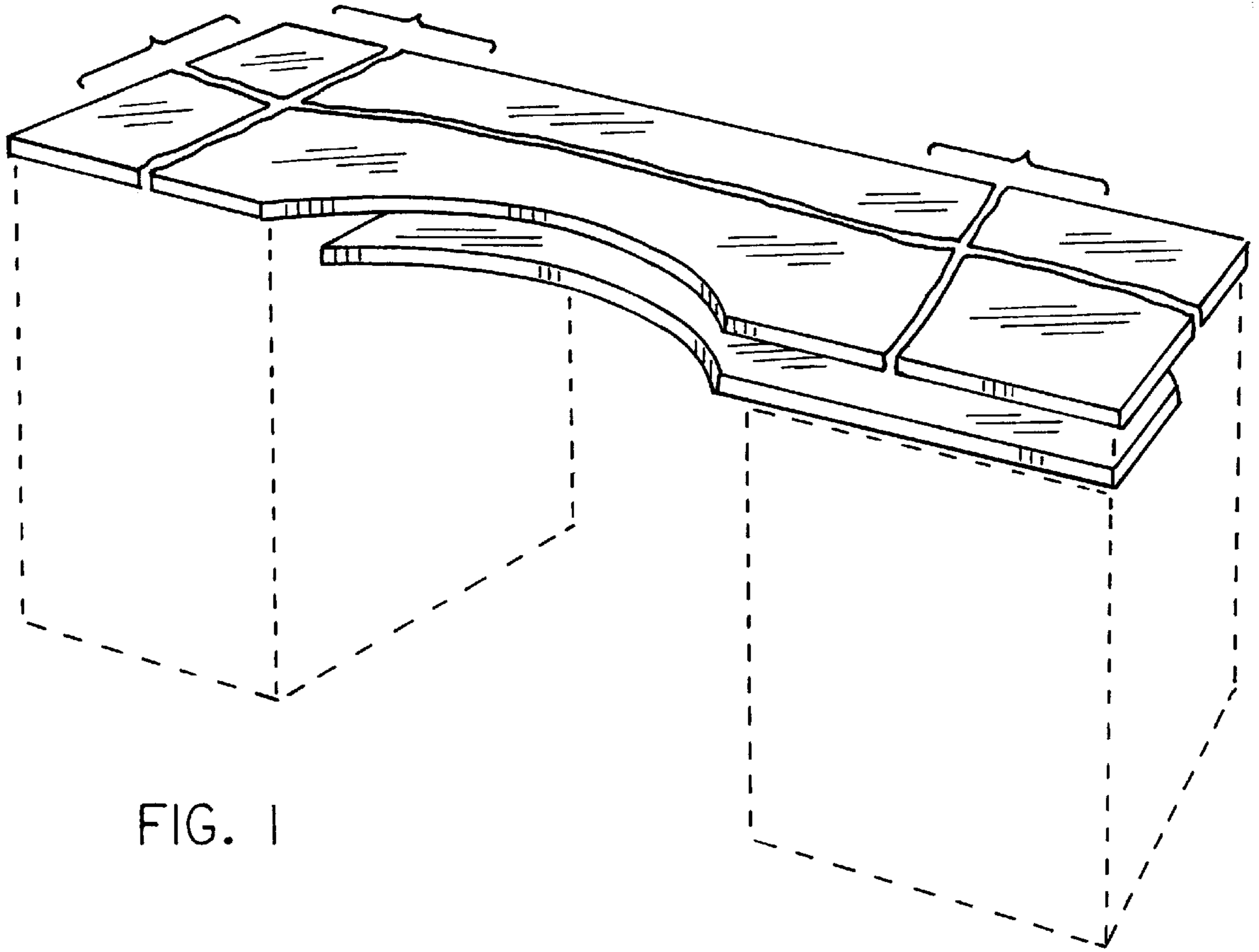


FIG. 1

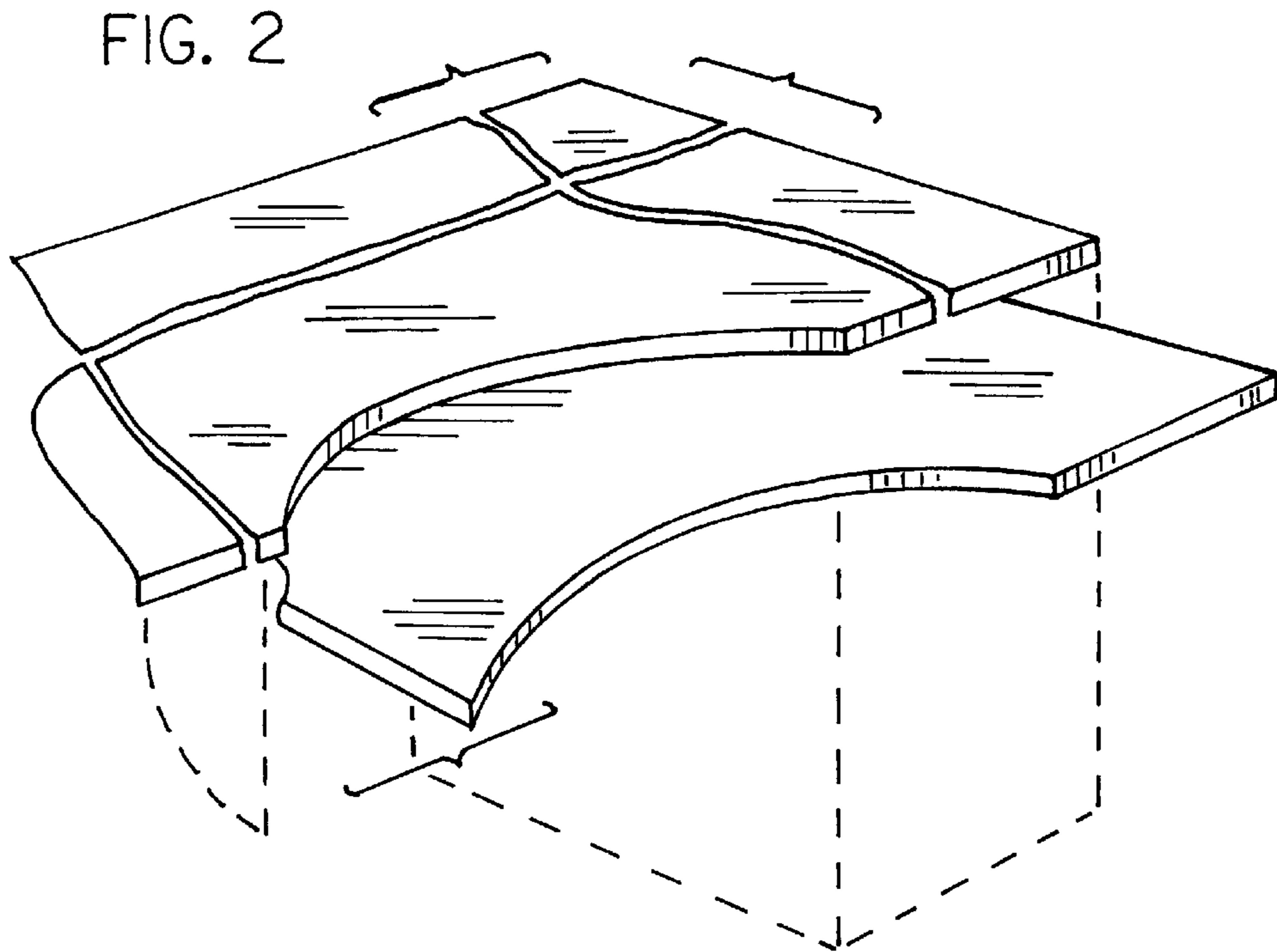


FIG. 2

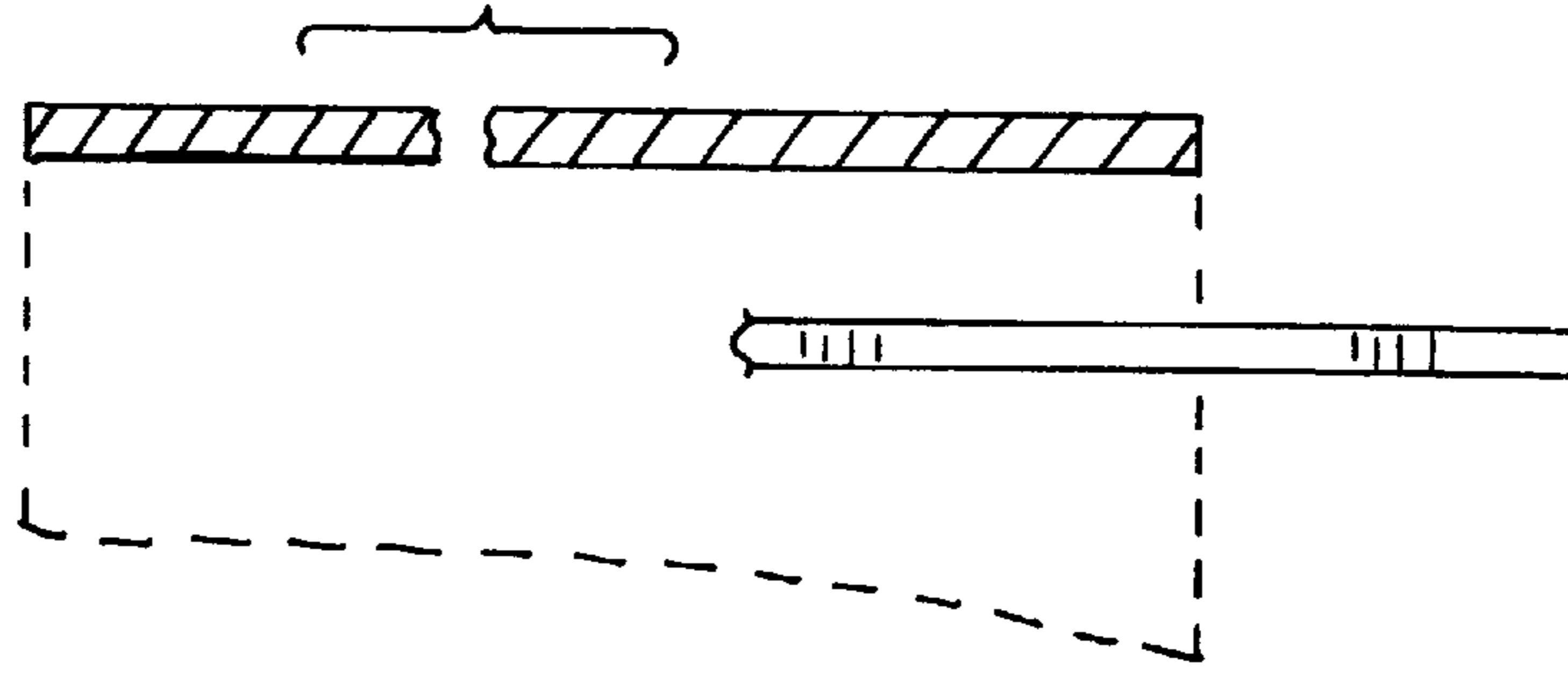


FIG. 3

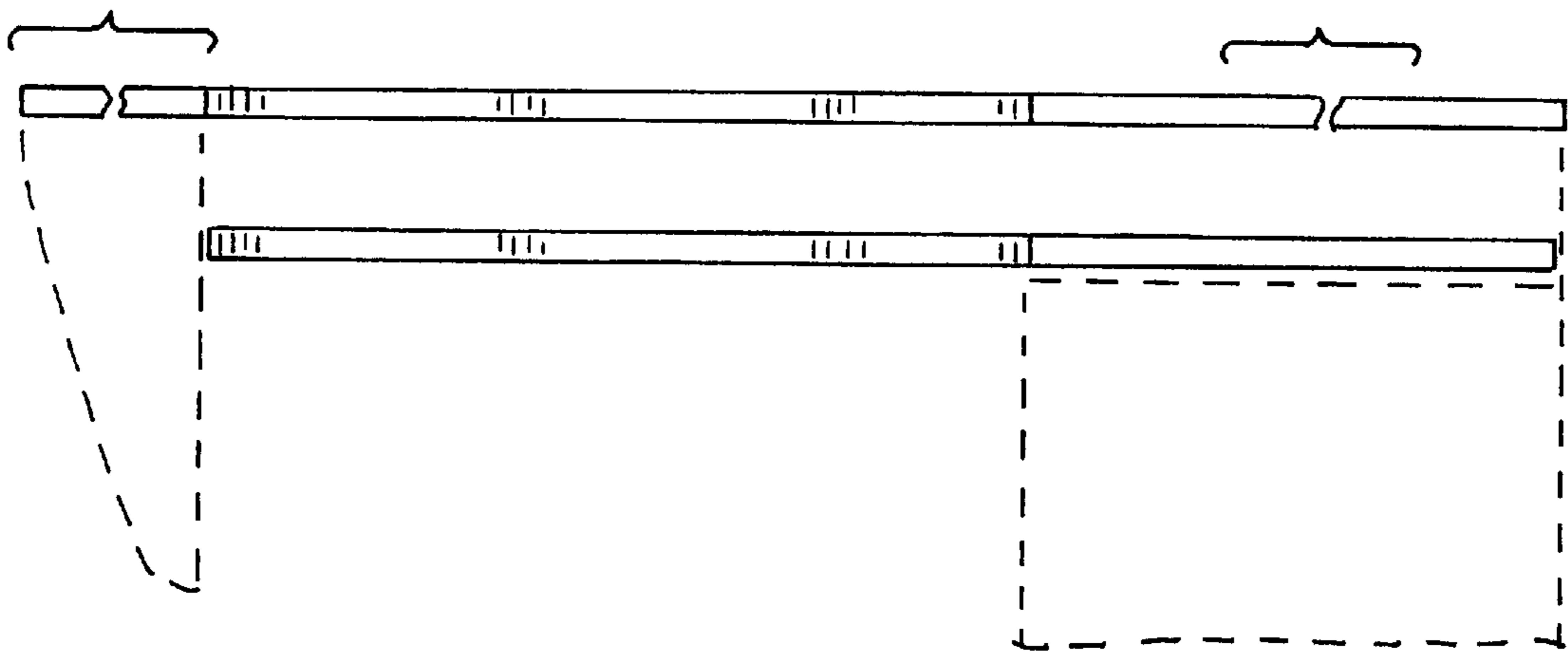


FIG. 4

FIG. 5

