



US00D432822S

**United States Patent** [19]  
**Chen**

[11] **Patent Number: Des. 432,822**

[45] **Date of Patent: \*\* Oct. 31, 2000**

[54] **LEGS FOR A TABLE OR CHAIR**

[76] Inventor: **Chun Chen**, 18-2, Kanping, Kueijen, Tainan County, Taiwan

[\*\*] Term: **14 Years**

[21] Appl. No.: **29/104,404**

[22] Filed: **May 4, 1999**

[51] **LOC (7) Cl.** ..... **06-06**

[52] **U.S. Cl.** ..... **D6/498; D6/366**

[58] **Field of Search** ..... D6/364, 365, 366, D6/367, 498, 500, 501, 502; 248/188, 188.1, 188.7, 188.8, 188.9; 297/411.2, 411.27, 411.28

[56] **References Cited**

**U.S. PATENT DOCUMENTS**

D. 260,205	8/1981	Buhk	.....	D6/366
D. 260,216	8/1981	Buhk	.....	D6/498
D. 395,172	6/1998	Pate	.....	D6/366

**OTHER PUBLICATIONS**

Dynamics catalog, Aspa Kantoorinrichting, p. 6, Base on chair at center page.

*Primary Examiner*—Gary D. Watson  
*Attorney, Agent, or Firm*—Alan D. Kamrath, Esq.; Oppenheimer Wolff & Donnelly LLP

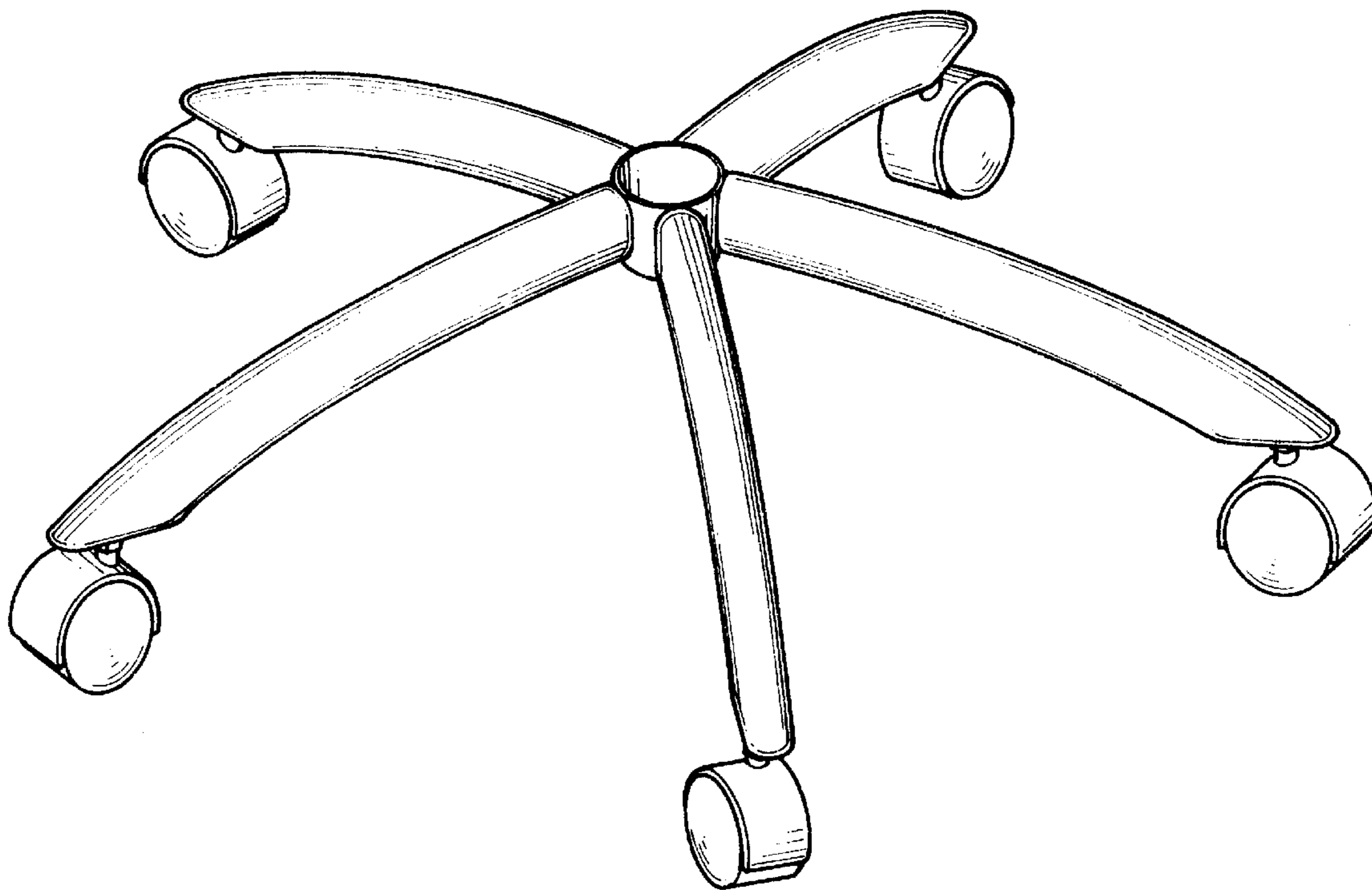
[57] **CLAIM**

The ornamental design for legs for a table or chair, as shown and described.

**DESCRIPTION**

FIG. 1 is a perspective view of legs for a table or chair showing my new design;  
FIG. 2 is a front elevational view thereof;  
FIG. 3 is a rear elevational view thereof;  
FIG. 4 is a left side elevational view thereof;  
FIG. 5 is a right side elevational view thereof;  
FIG. 6 is a top plan view thereof; and,  
FIG. 7 is a bottom plan view thereof.

**1 Claim, 4 Drawing Sheets**



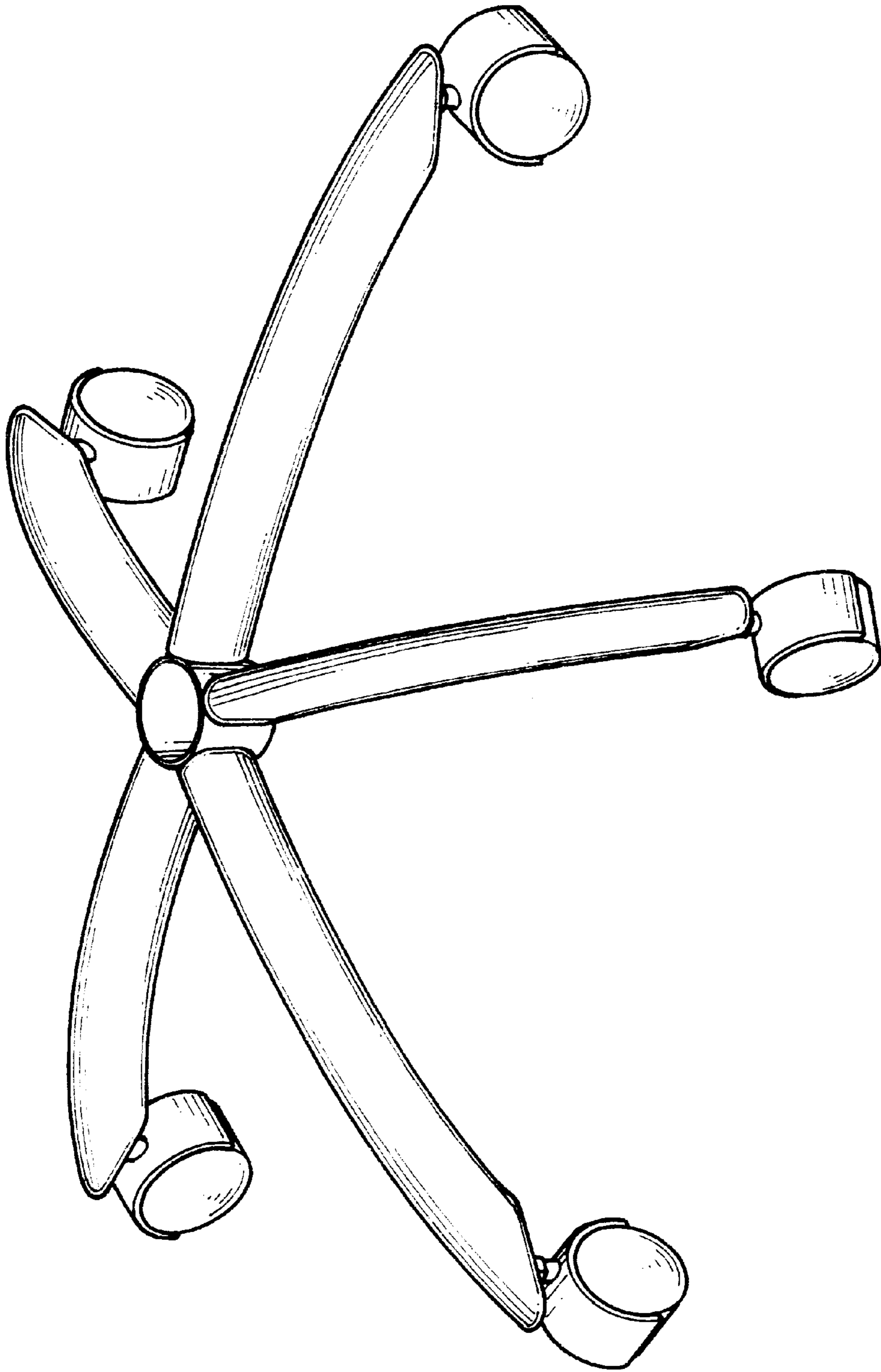


FIG. 1

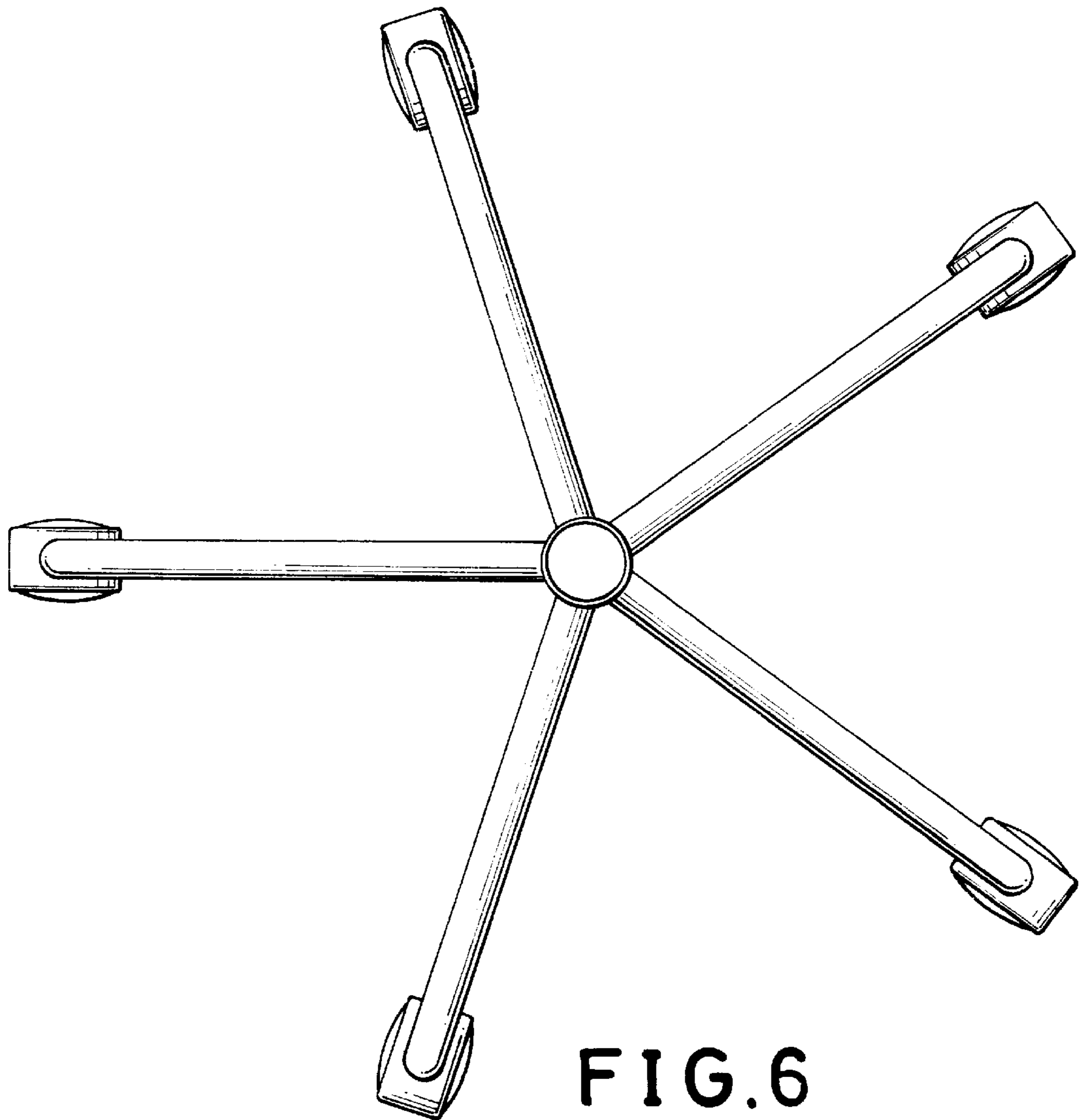


FIG. 6

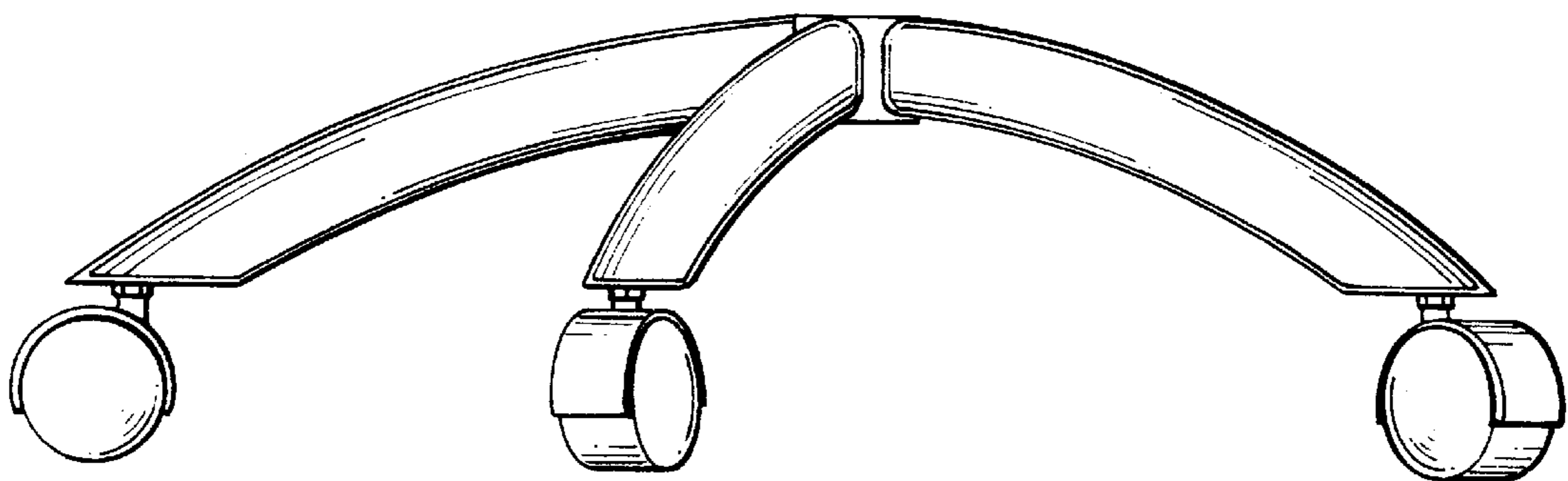
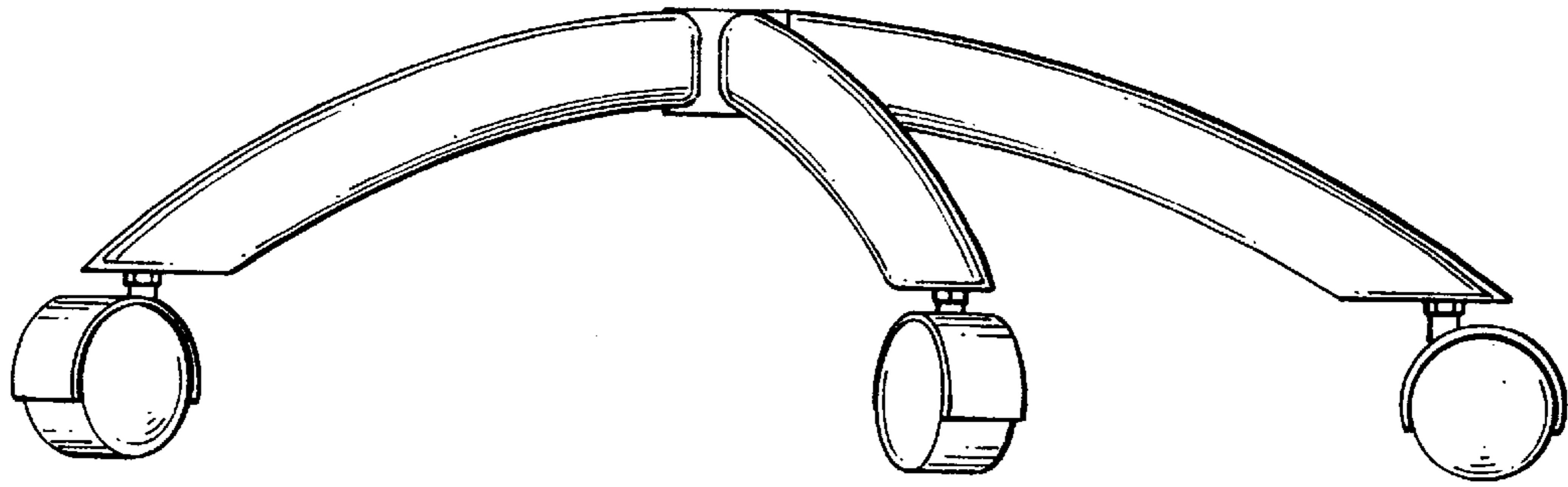
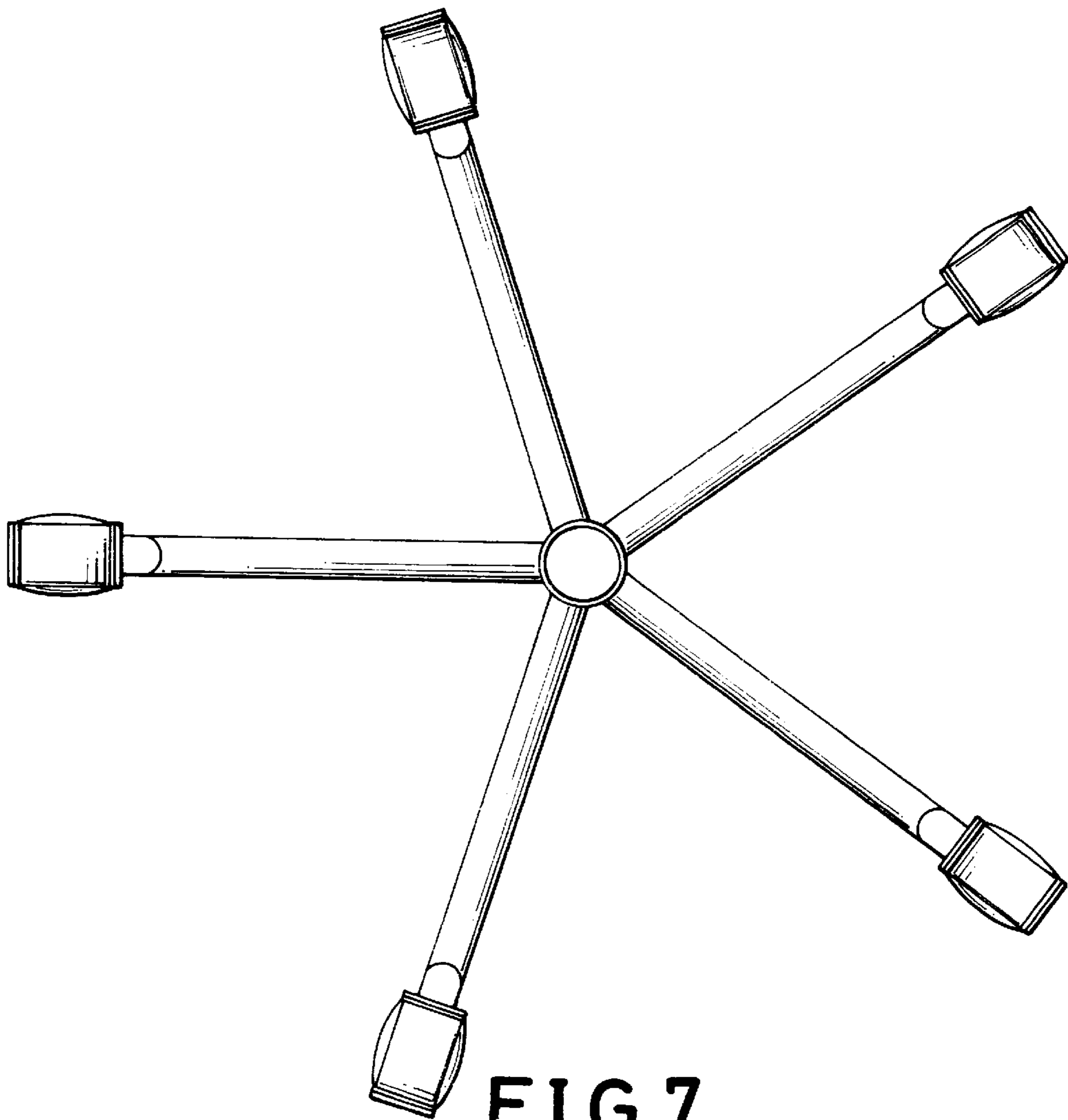


FIG. 2



**FIG. 3**



**FIG. 7**

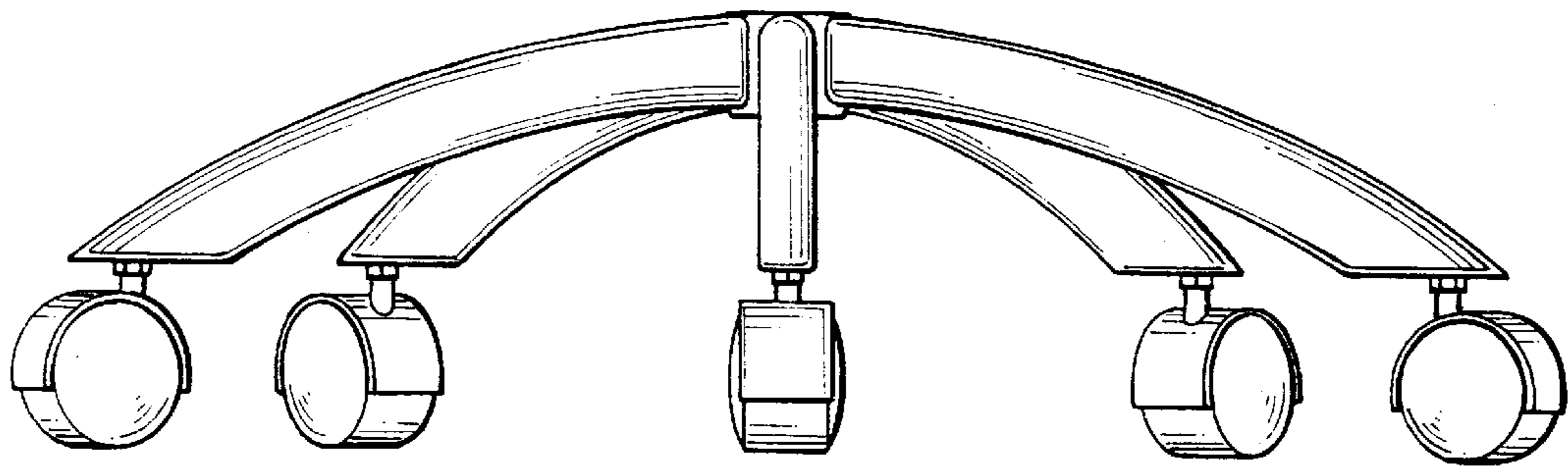


FIG. 4

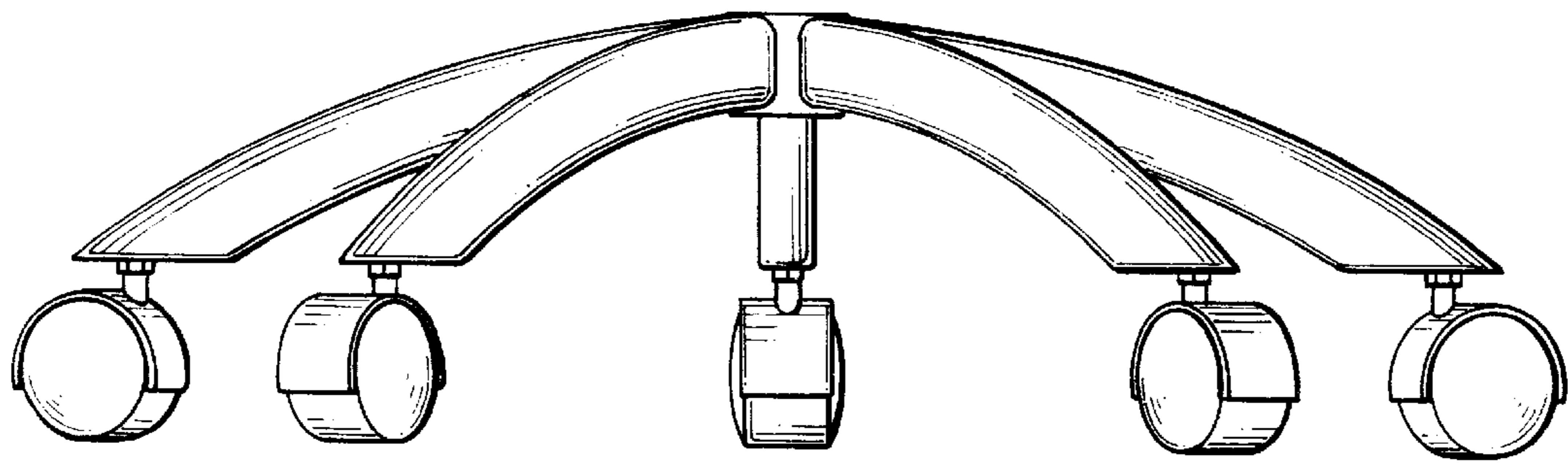


FIG. 5