



US00D432816S

# United States Patent [19]

Hellwig et al.

[11] Patent Number: Des. 432,816

[45] Date of Patent: \*\* Oct. 31, 2000

[54] CABINET

[75] Inventors: **John Hellwig**, Toronto; **Steven Verbeek**, Aurora, both of Canada; **Thomas M. Edwards**, Spring Lake; **Adam Luedke**, Holland, both of Mich.

[73] Assignee: **Teknion Furniture Systems Limited**, Downsview, Canada

[\*\*] Term: **14 Years**

[21] Appl. No.: **29/109,228**

[22] Filed: **Aug. 13, 1999**

[51] LOC (7) Cl. .... **06-04**

[52] U.S. Cl. .... **D6/441**

[58] Field of Search ..... D6/432-448, 414, D6/509, 510; 312/198, 200

[56] **References Cited**

**U.S. PATENT DOCUMENTS**

D. 264,781	6/1982	Azzalla	.....	D6/446
D. 325,309	4/1992	Worrell	.....	D6/432 X
D. 327,186	6/1992	Tarlow	.....	D6/441
D. 327,794	7/1992	Zapf	.....	D6/432 X

D. 330,647	11/1992	Bennett	.....	D6/432
D. 334,852	4/1993	Beirise	.....	D6/436
D. 412,628	8/1999	Lewis	.....	D6/441
D. 416,404	6/1982	Patel et al.	.....	D6/446

*Primary Examiner*—Cathron B. Matta  
*Attorney, Agent, or Firm*—Bereskin & Parr

[57] **CLAIM**

The ornamental design for a cabinet, as shown and described.

**DESCRIPTION**

FIG. 1 is a perspective view from above and to one end of the cabinet in accordance with our Design;

FIG. 2 is a front elevational view;

FIGS. 3 and 4 are left and right end elevational views respectively corresponding to FIG. 1;

FIG. 5 is a top plan view; the bottom plan view is a mirror image; and,

FIG. 6 is a rear elevational view.

The cabinet is shown broken away to indicate indeterminate length, it being understood that the design continues uniformly along its length.

**1 Claim, 2 Drawing Sheets**

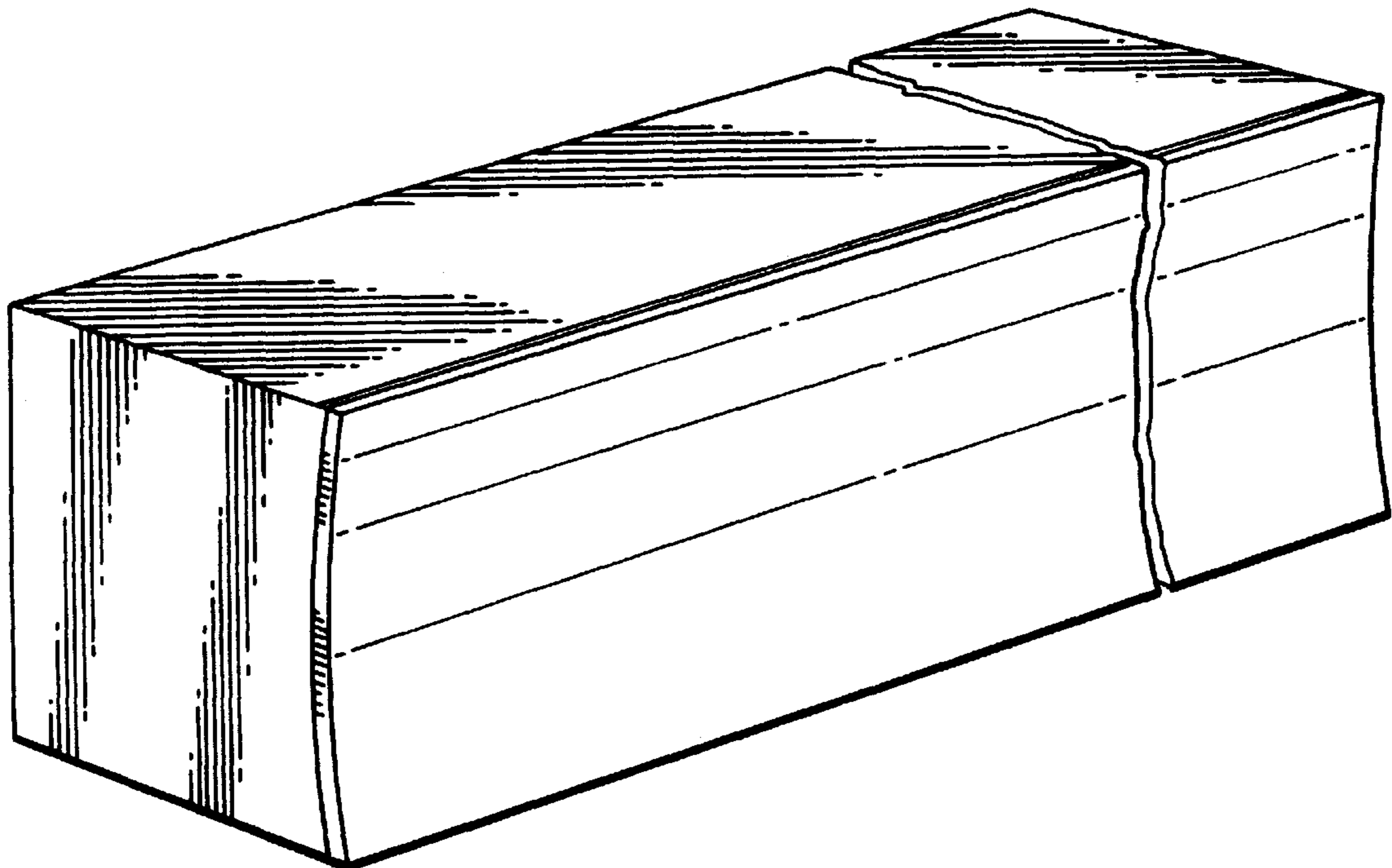


FIG. 1.

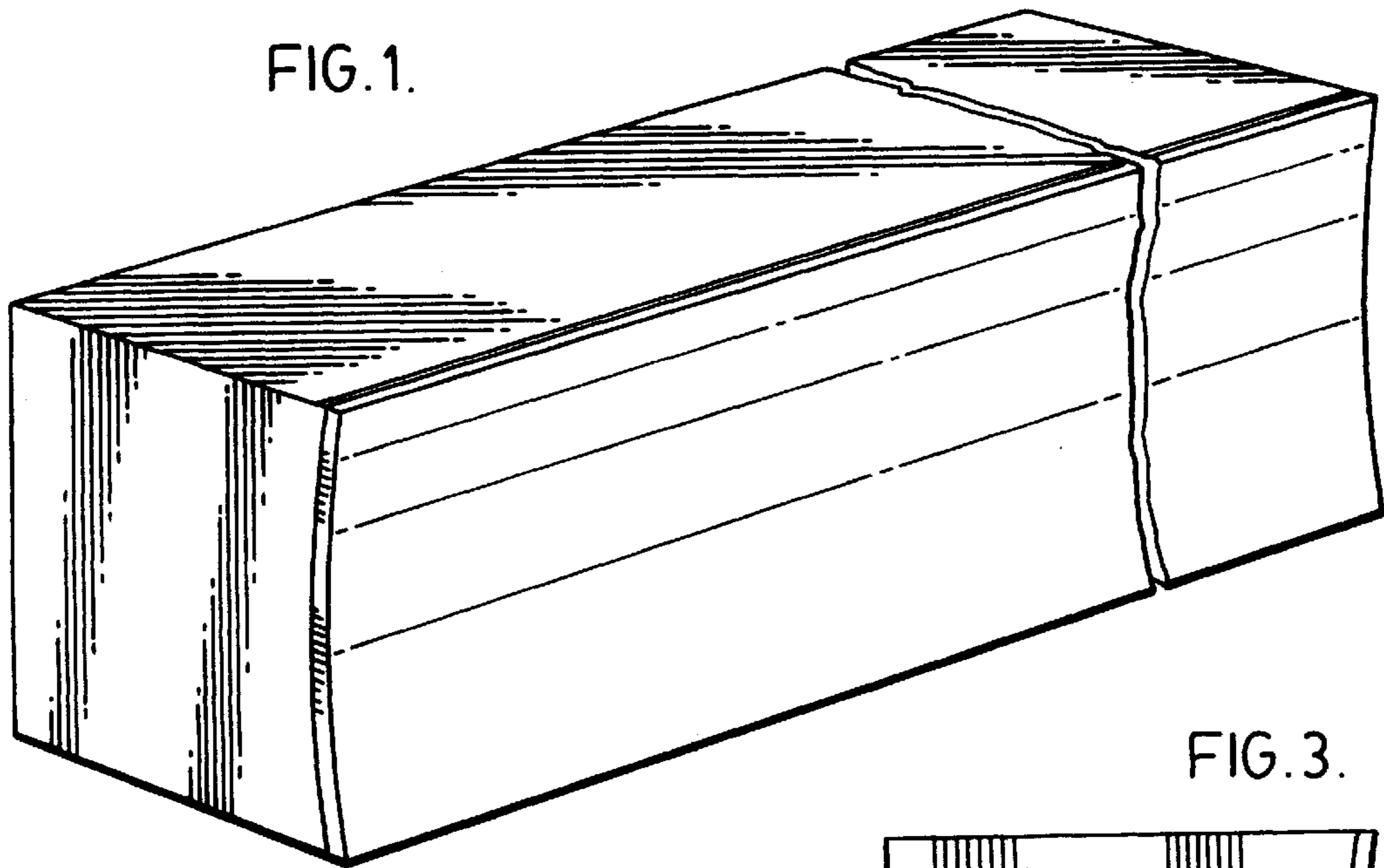


FIG. 3.

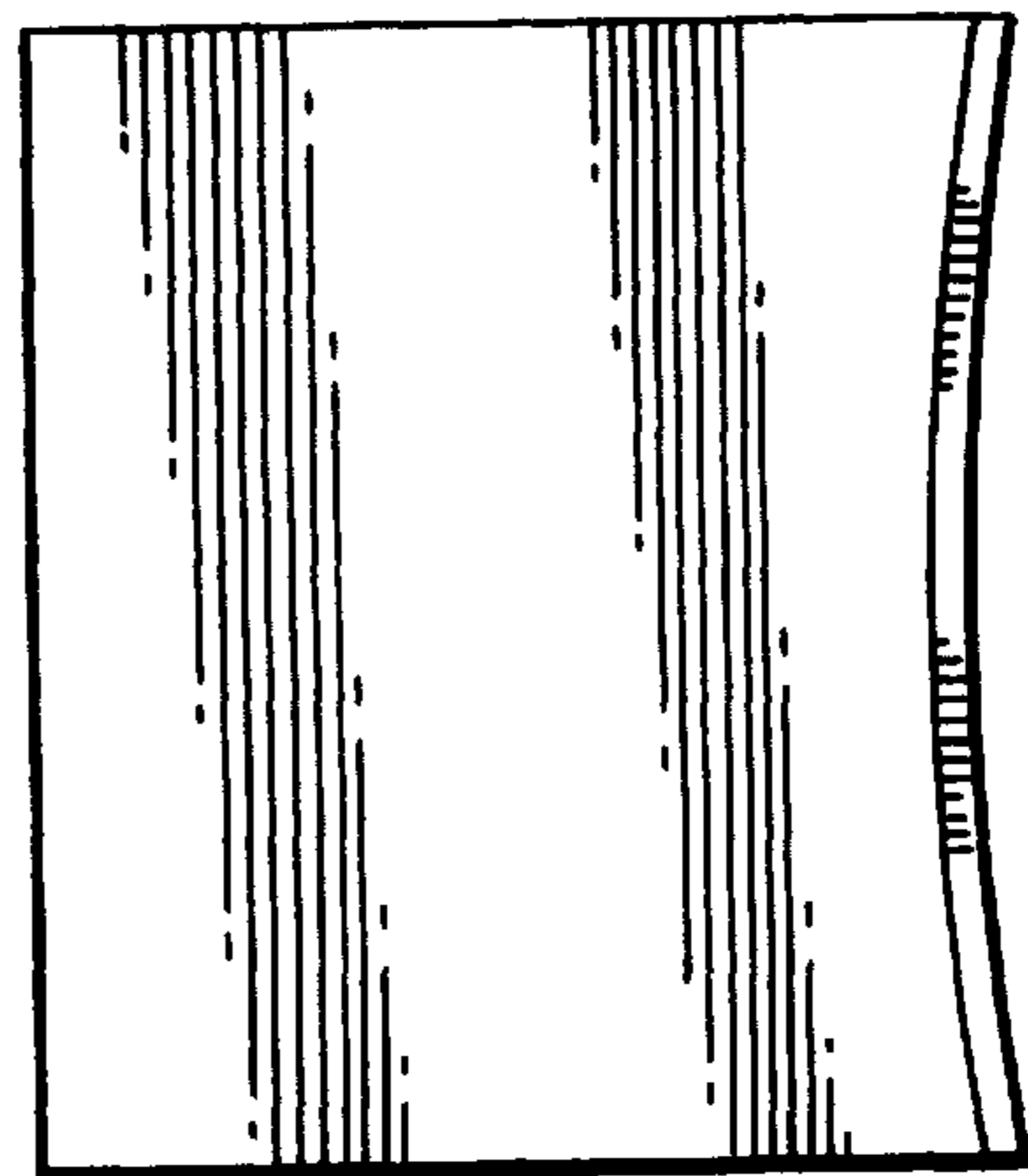
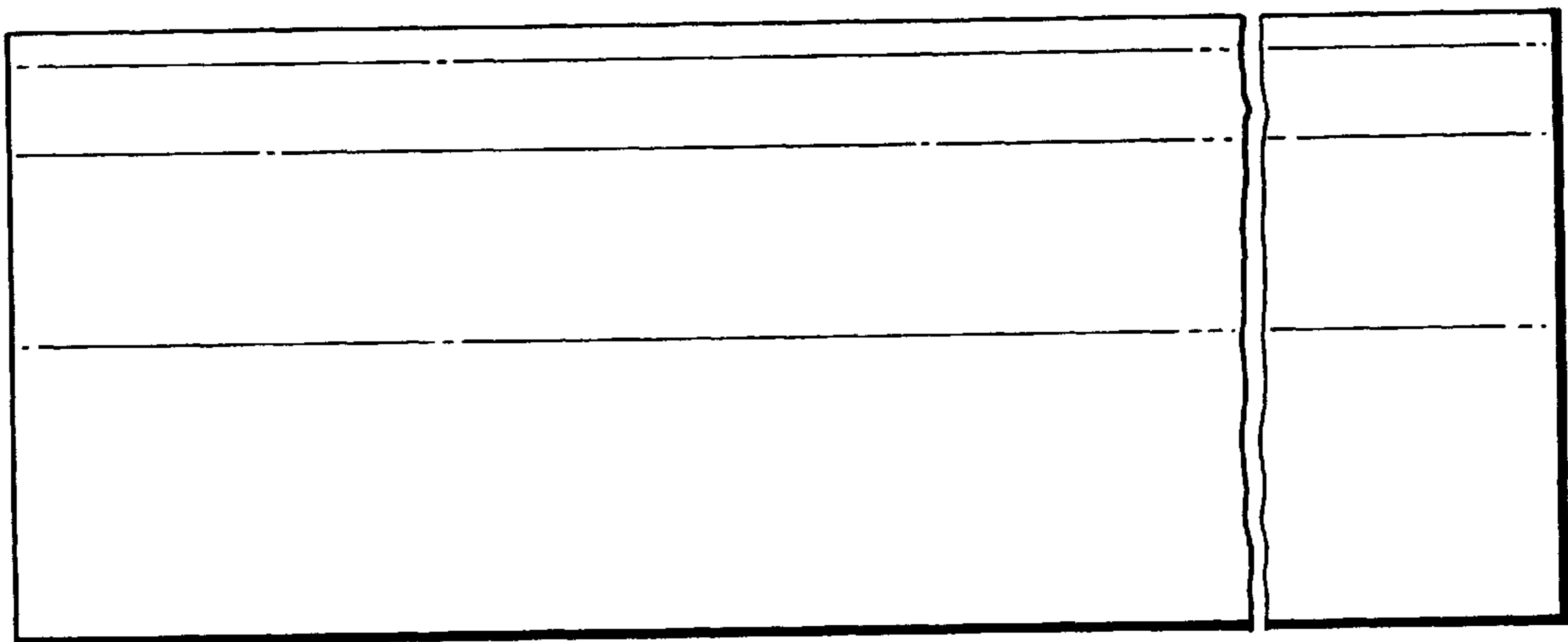


FIG. 2.



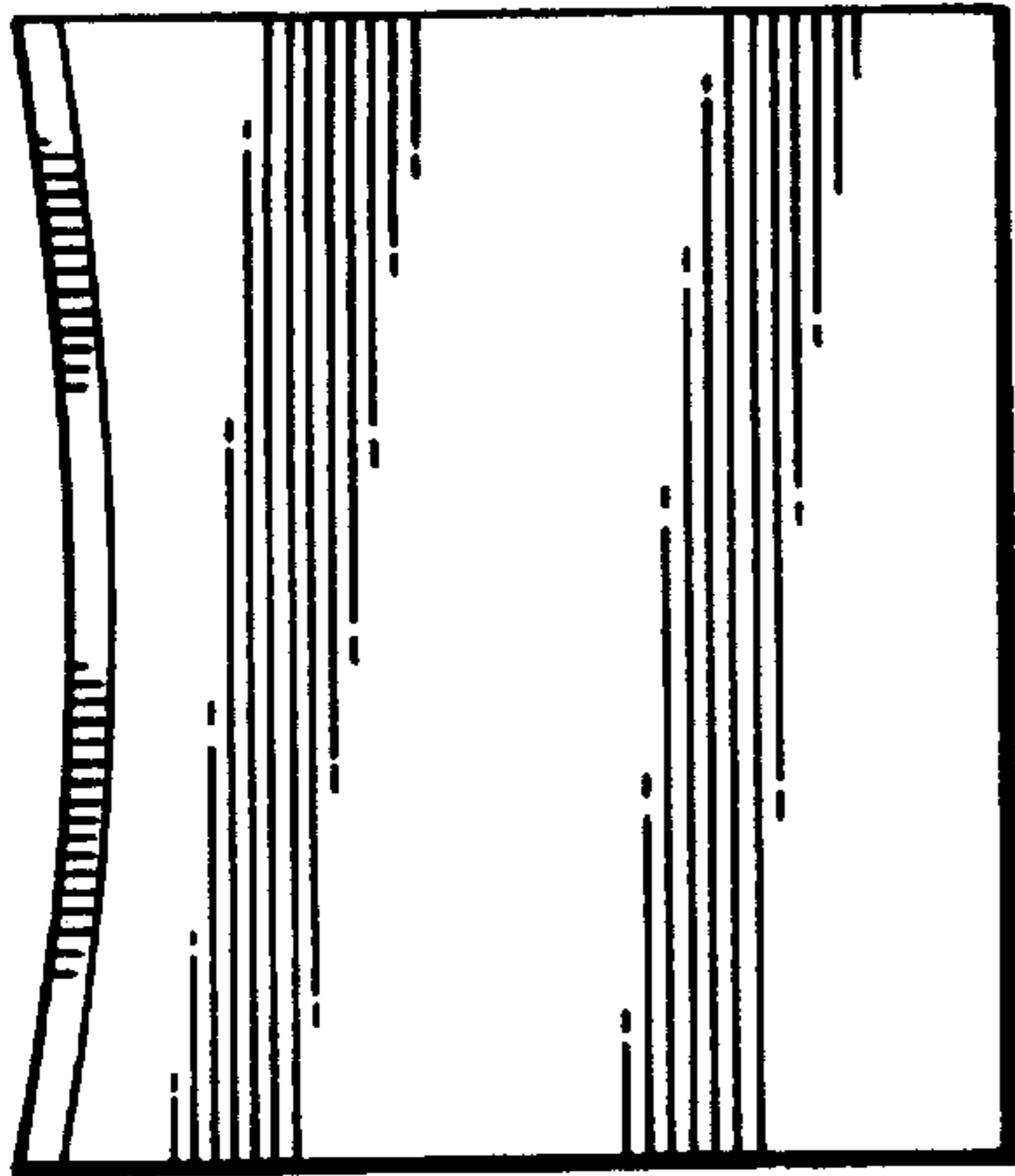


FIG. 4.

FIG. 5.

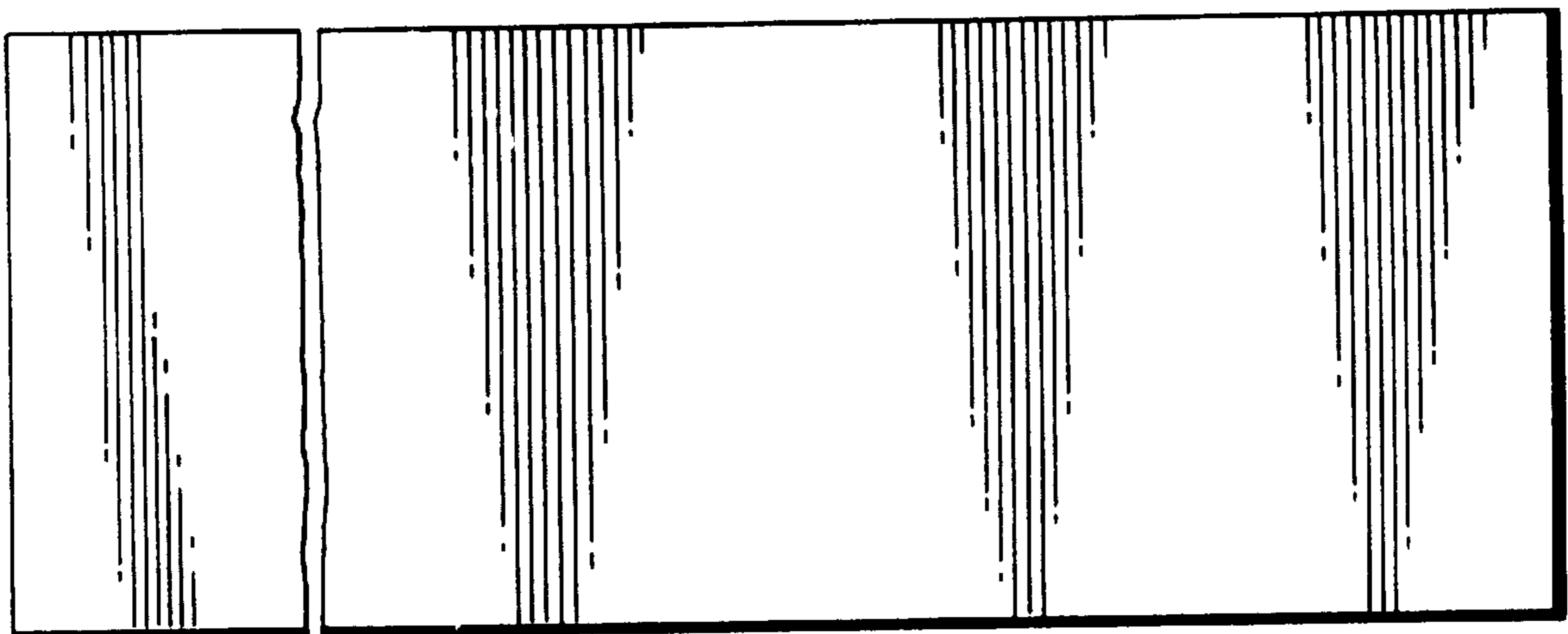
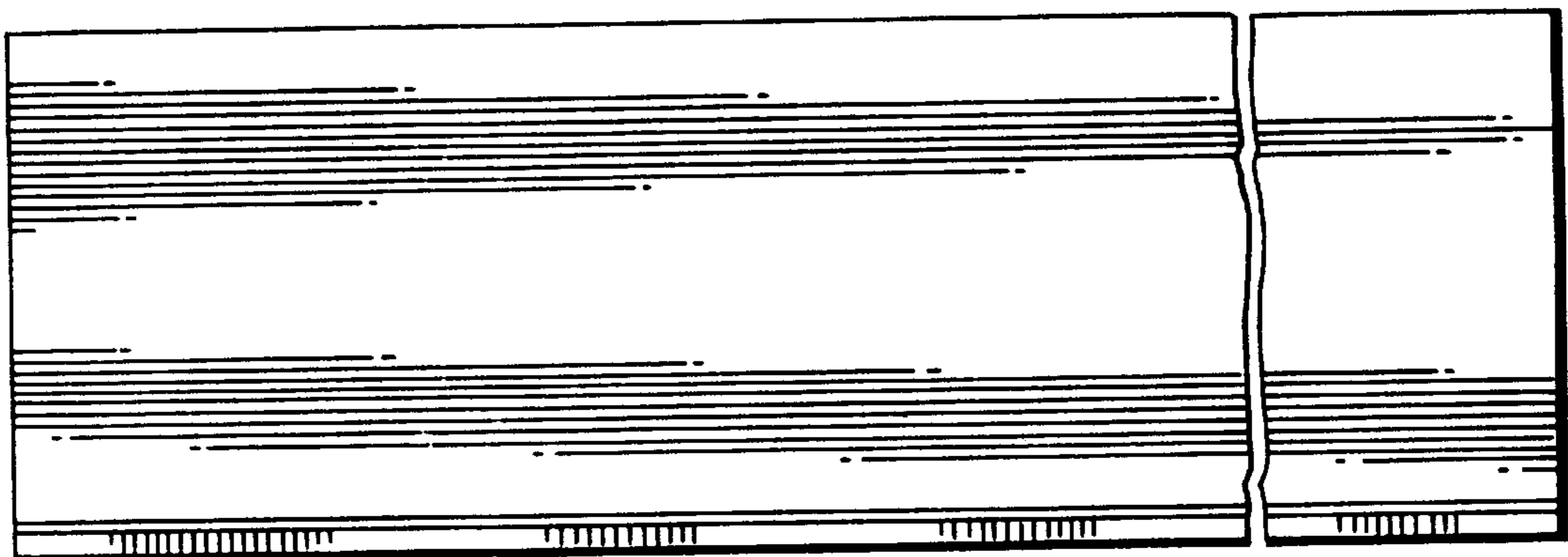


FIG. 6.