



US00D432815S

United States Patent [19]

Draheim et al.

[11] Patent Number: **Des. 432,815**

[45] Date of Patent: **** Oct. 31, 2000**

[54] **CHEST OF DRAWERS**

Attorney, Agent, or Firm—Hoffman & Baron, LLP

[75] Inventors: **Harvey J. Draheim**, Weyauwega; **Scott A. Krueger**, Appleton, both of Wis.

[57] CLAIM

[73] Assignee: **Simmons Juvenile Products Co., Inc.**, New London, Wis.

The ornamental design for a chest of drawers, as shown and described.

[**] Term: **14 Years**

DESCRIPTION

[21] Appl. No.: **29/108,208**

FIG. 1 is a top perspective view of a chest of drawers showing our new design;

[22] Filed: **Jul. 22, 1999**

FIG. 2 is a top plan view thereof;

[51] **LOC (7) Cl.** **06-04**

FIG. 3 is a front elevation view thereof;

[52] **U.S. Cl.** **D6/439; D6/445**

FIG. 4 is a side elevation view thereof;

[58] **Field of Search** D6/432–448; 312/107, 312/198, 201, 257.1, 278, 279

FIG. 5 is a side elevation view thereof showing the side opposite from the side shown in FIG. 4;

[56] References Cited

U.S. PATENT DOCUMENTS

D. 365,464	12/1995	Brunner et al.	D6/439
D. 370,365	6/1996	Brunner et al.	D6/445
D. 382,135	8/1997	Brunner et al.	D6/439
D. 388,264	12/1997	Brunner et al.	D6/439
D. 417,347	12/1999	Draheim et al.	D6/446

FIG. 6 is an enlarged sectional view taken along line 6—6 of FIG. 3; and,

FIG. 7 is an enlarged sectional view taken along line 7—7 of FIG. 3.

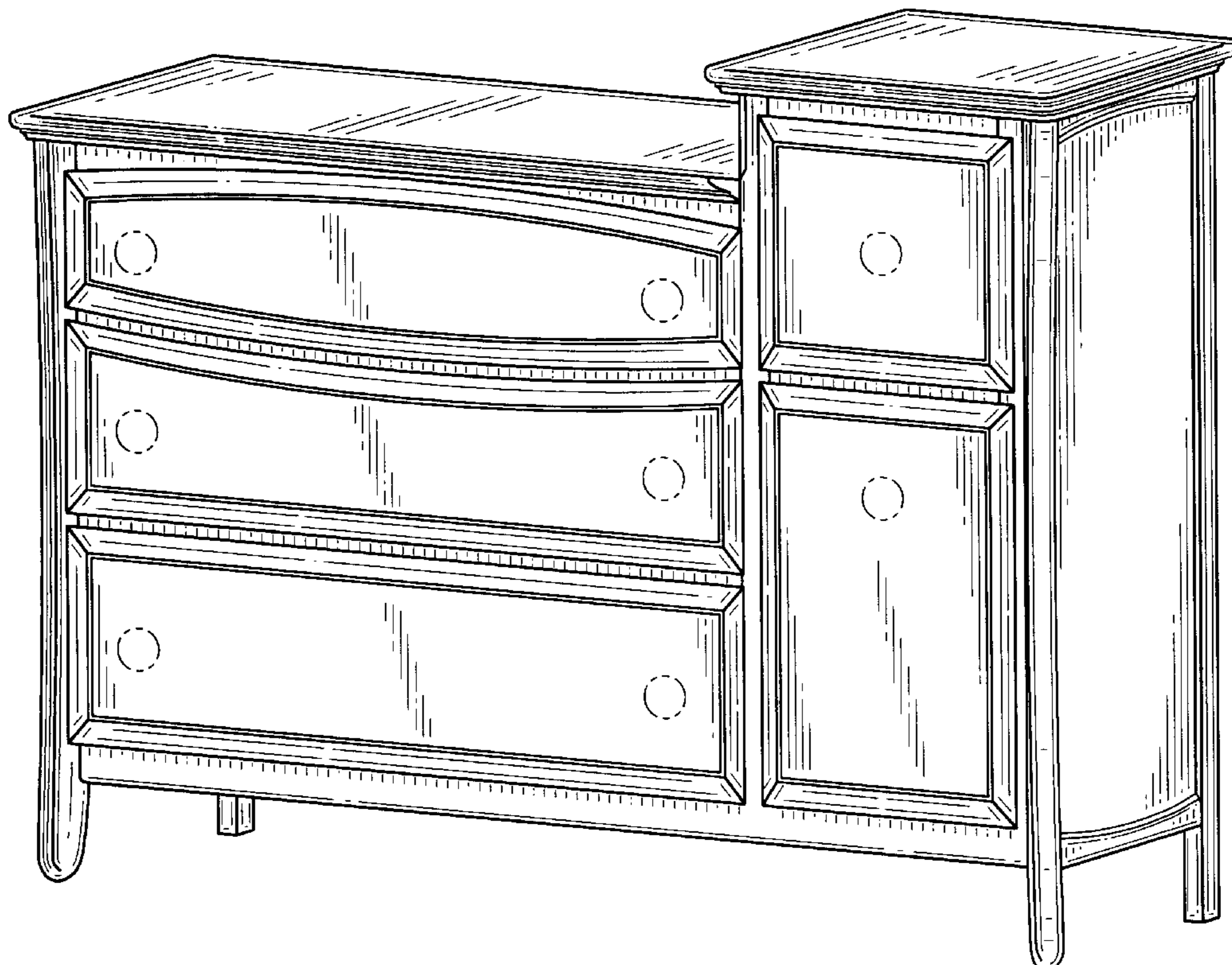
OTHER PUBLICATIONS

1998 Simmons Juvenile Products Company, Inc. catalog pages.

The rear and bottom view forms no part of the claim designed. The subject matter shown in broken lines forms no part of the claimed design.

Primary Examiner—Cathron B. Matta

1 Claim, 6 Drawing Sheets



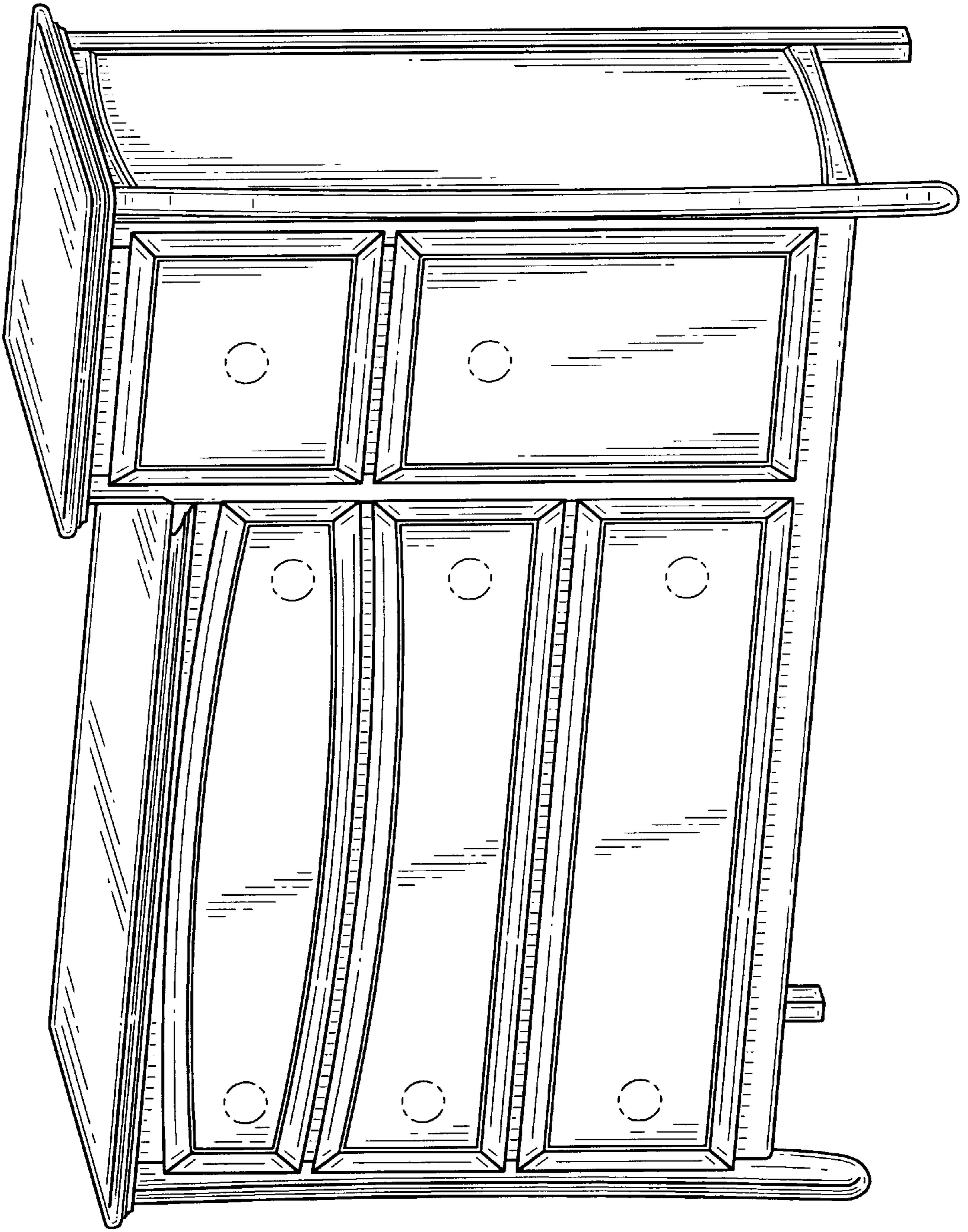
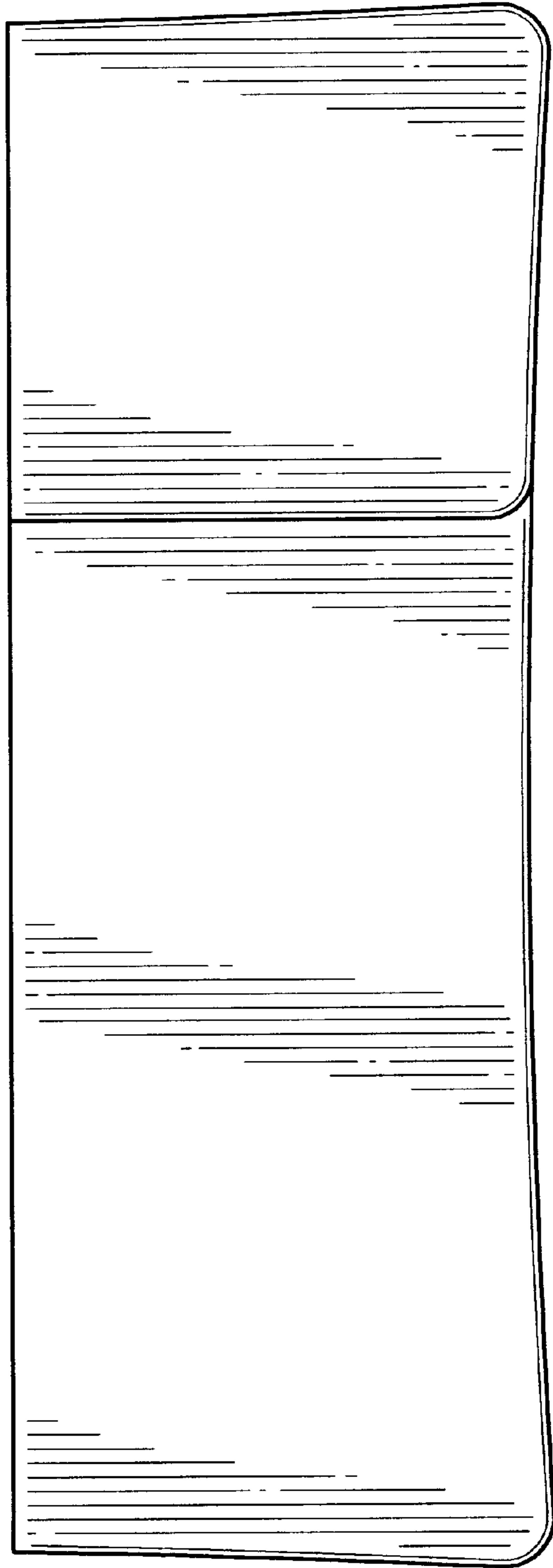


FIG. 1

FIG. 2



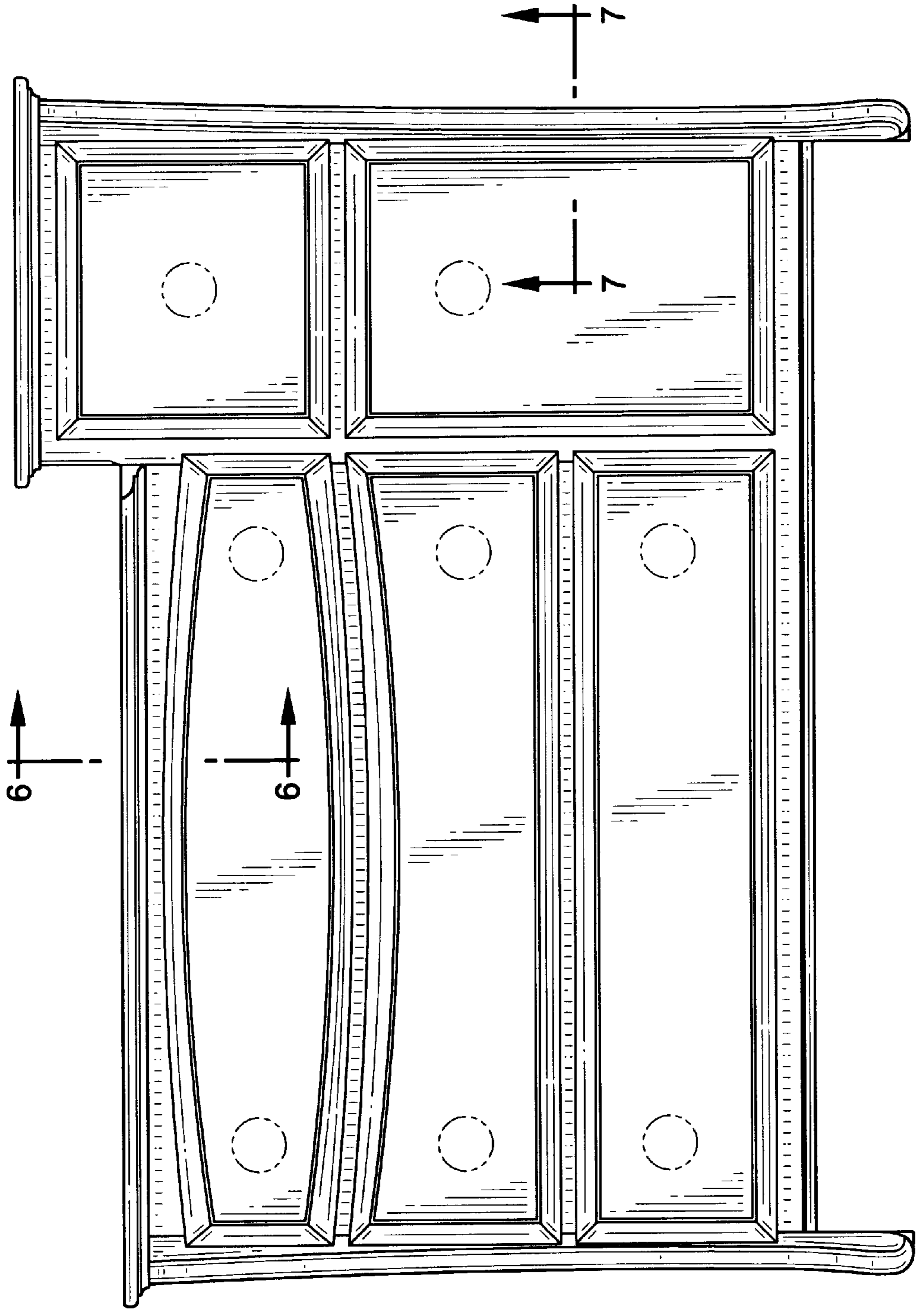


FIG. 3

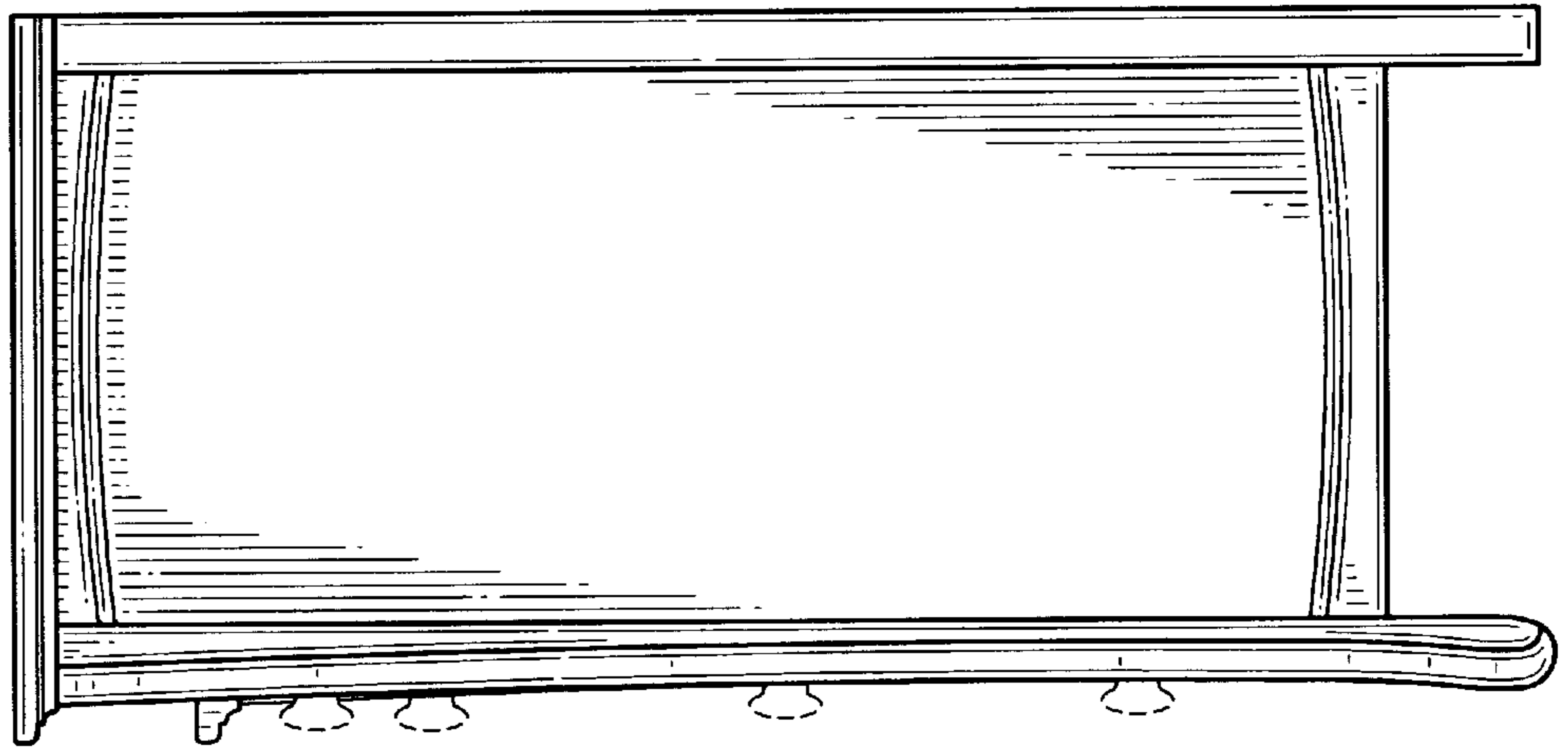


FIG. 4

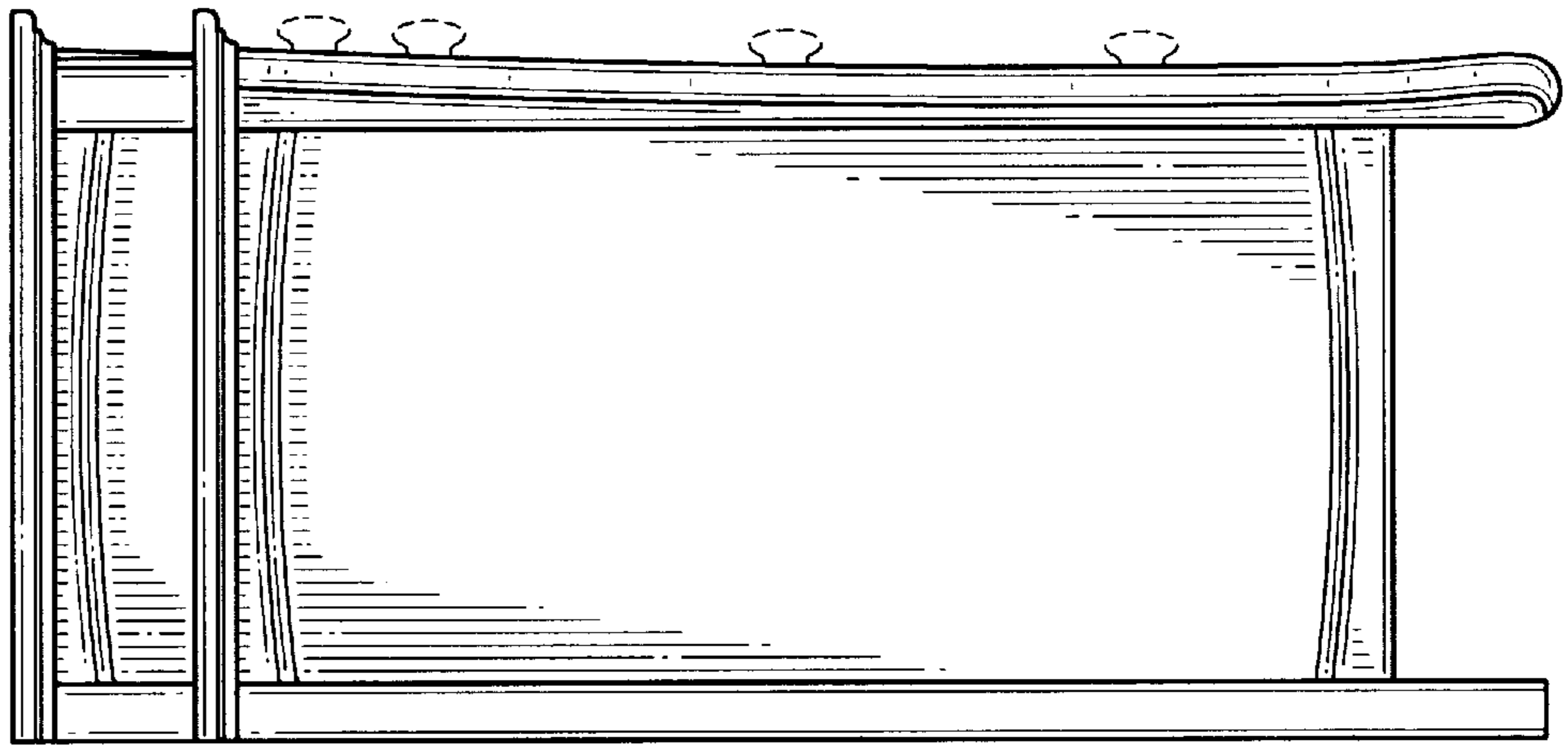


FIG. 5

FIG. 6

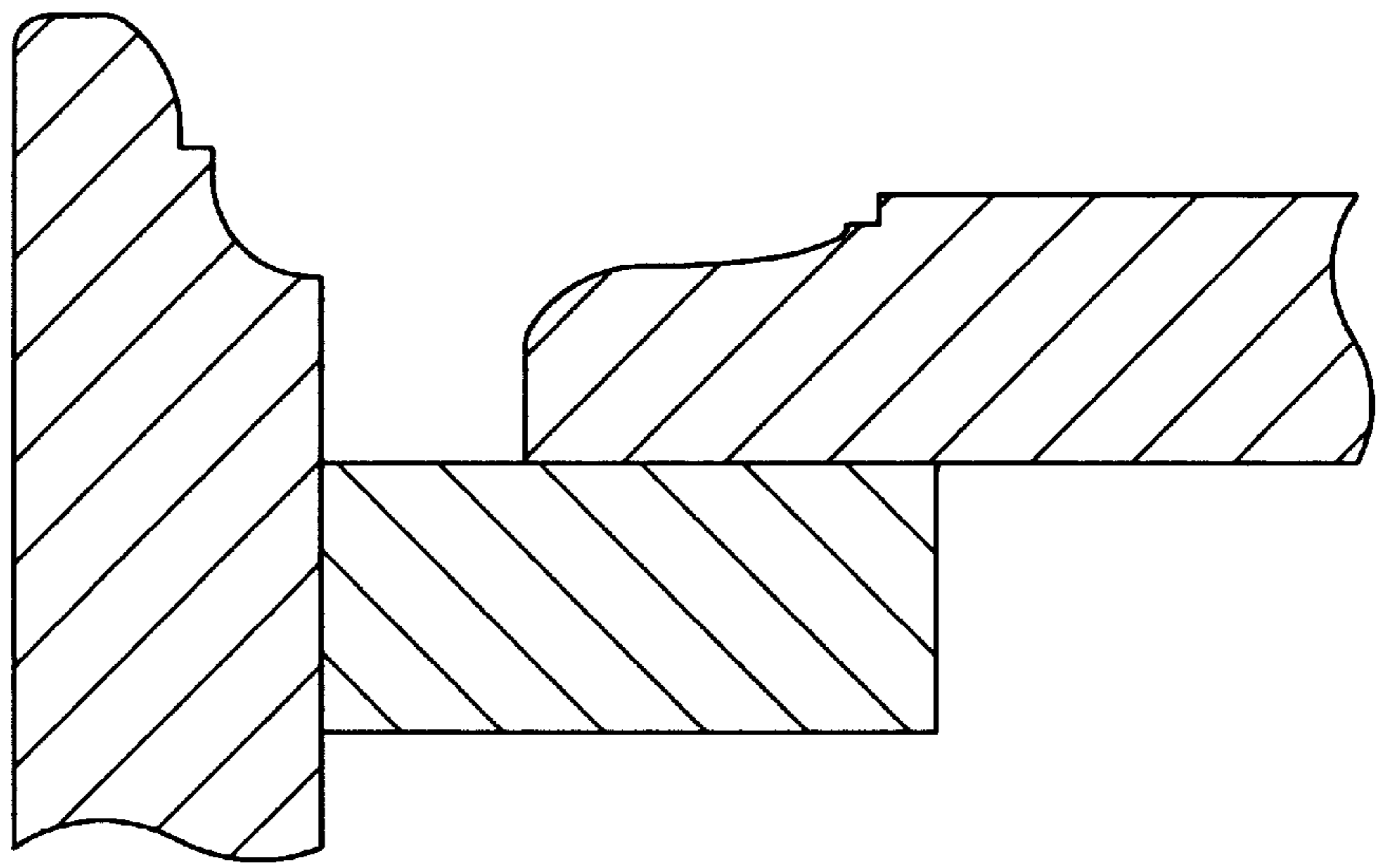


FIG. 7

