



US00D432814S

United States Patent [19]

Draheim et al.

[11] Patent Number: Des. 432,814

[45] Date of Patent: ** Oct. 31, 2000

[54] CHEST OF DRAWERS

D. 393,551 4/1998 Draheim .
D. 417,347 12/1999 Draheim et al. D6/446

[75] Inventors: **Harvey J. Draheim**, Weyauwega; **Scott A. Krueger**, Appleton, both of Wis.

Primary Examiner—Cathron B. Matta
Attorney, Agent, or Firm—Hoffmann & Baron, LLP

[73] Assignee: **Simmons Juvenile Product Company, Inc.**, New London, Wis.

[57] CLAIM

[**] Term: 14 Years

The ornamental design for a chest of drawers, as shown and described.

[21] Appl. No.: 29/108,173

DESCRIPTION

[22] Filed: Jul. 21, 1999

FIG. 1 is a top perspective view of a chest of drawers showing our new design;

[51] LOC (7) Cl. 06-04

FIG. 2 is a top plan view thereof;

[52] U.S. Cl. D6/439; D6/445

FIG. 3 is a front elevation view thereof;

[58] Field of Search D6/432-448; 312/107, 312/198, 201, 257.1, 278, 279

FIG. 4 is a side elevation view thereof;

FIG. 5 is a side elevation view thereof showing the side opposite from the side shown in FIG. 4; and,

[56] References Cited

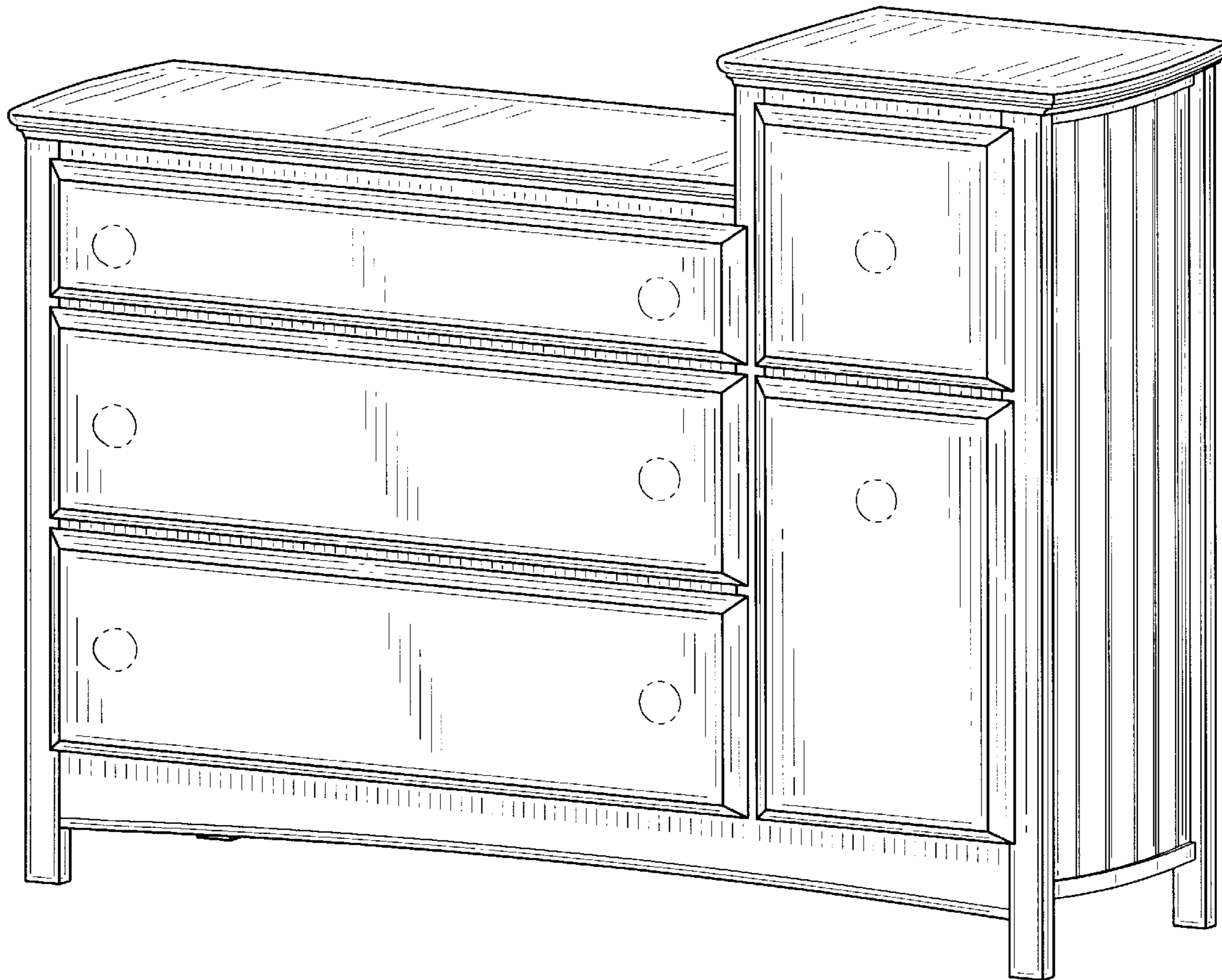
U.S. PATENT DOCUMENTS

- D. 365,464 12/1995 Brunner et al. D6/439
- D. 370,365 6/1996 Brunner et al. D6/445
- D. 382,135 8/1997 Brunner et al. D6/439
- D. 388,264 12/1997 Brunner et al. D6/439

FIG. 6 is an enlarged sectional view showing a front corner and a portion of a side wall of our new design.

The rear and bottom view forms no part of the claim designed. The subject matter shown in broken lines forms no part of the claimed design.

1 Claim, 6 Drawing Sheets



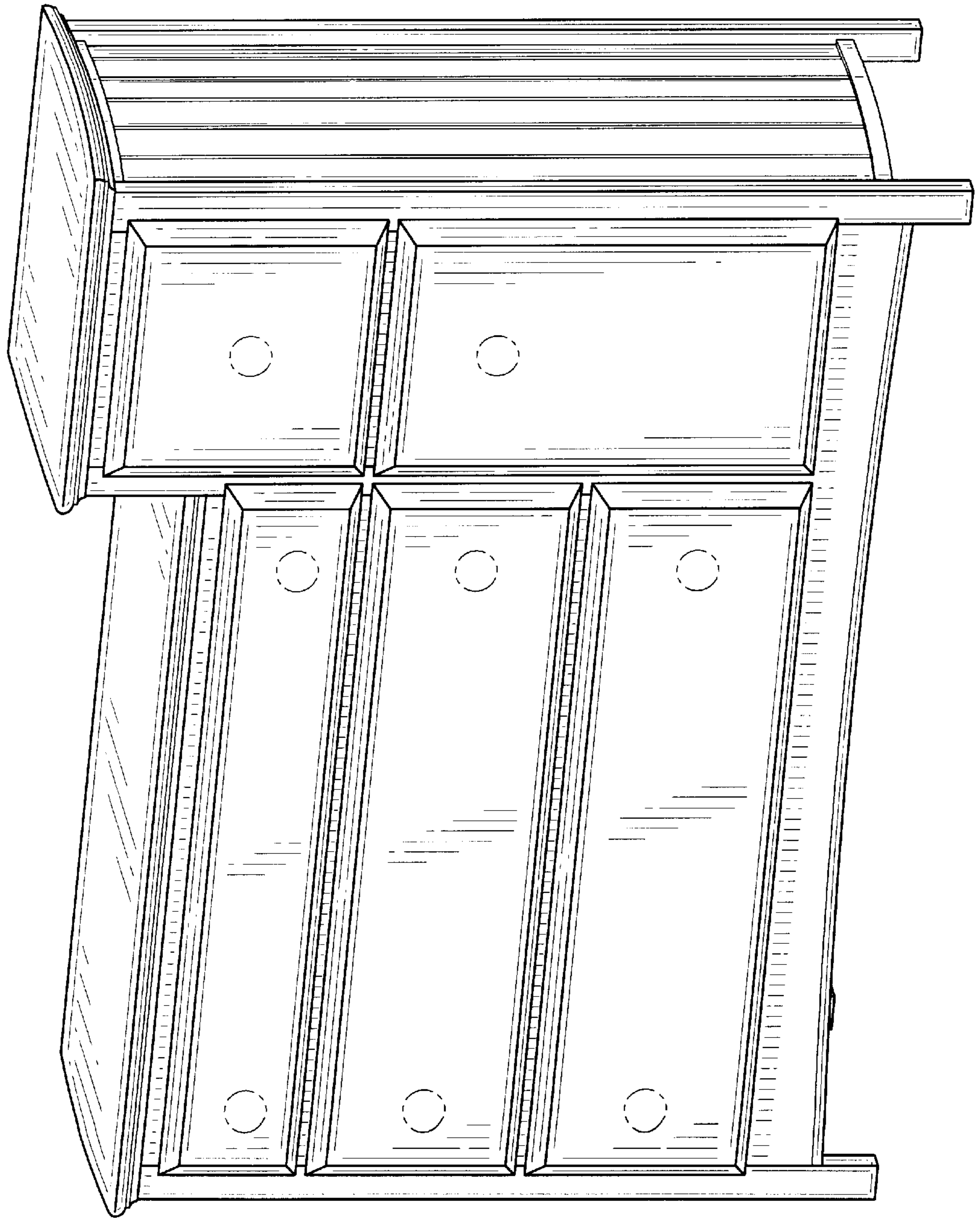
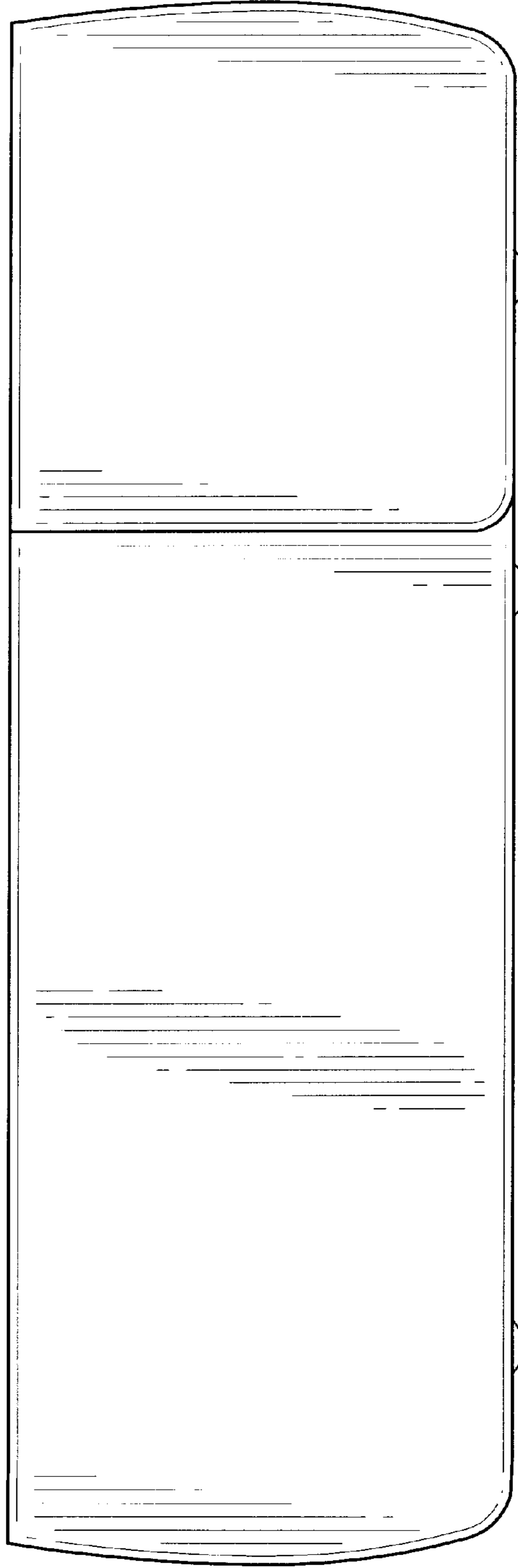


FIG. 1

FIG. 2



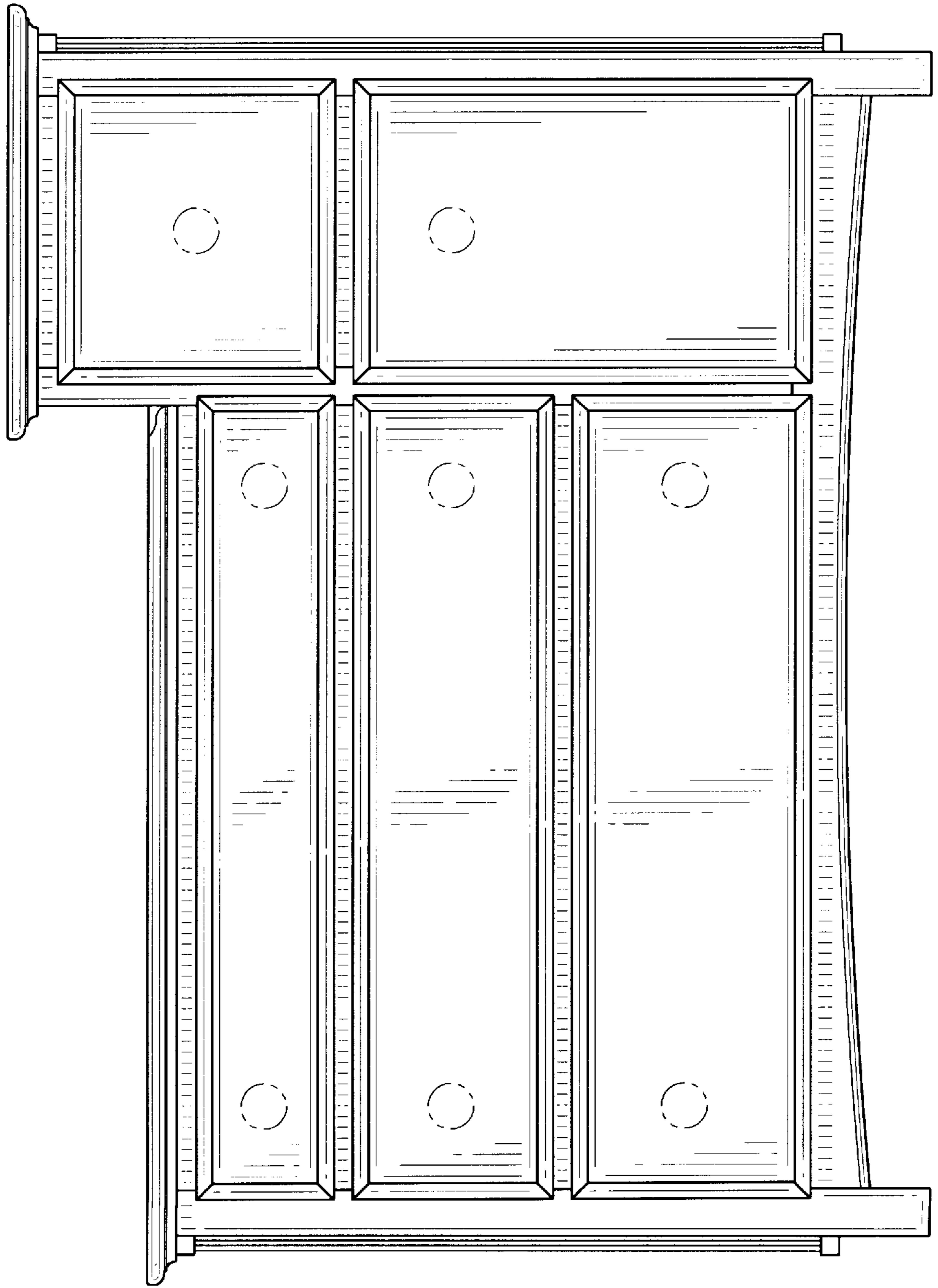


FIG. 3

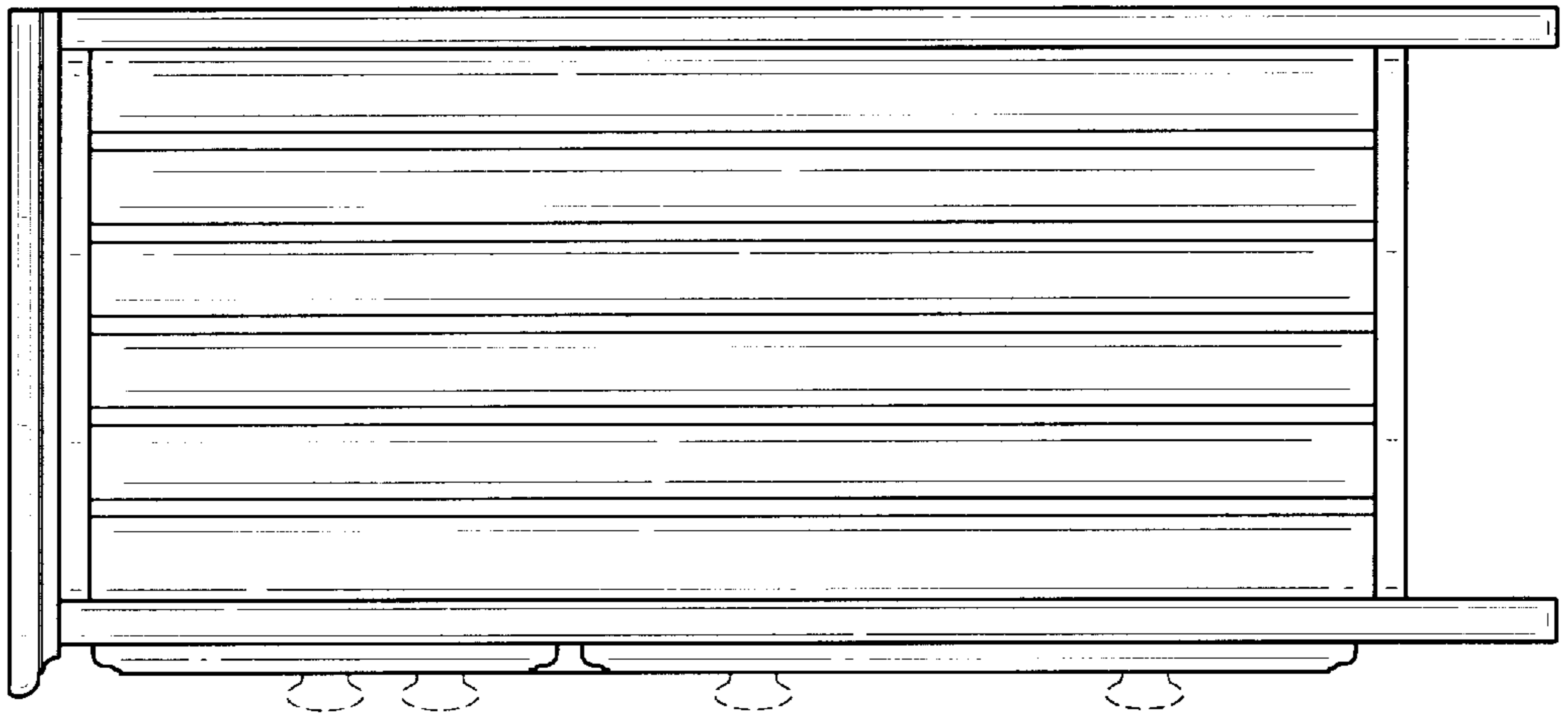


FIG. 4

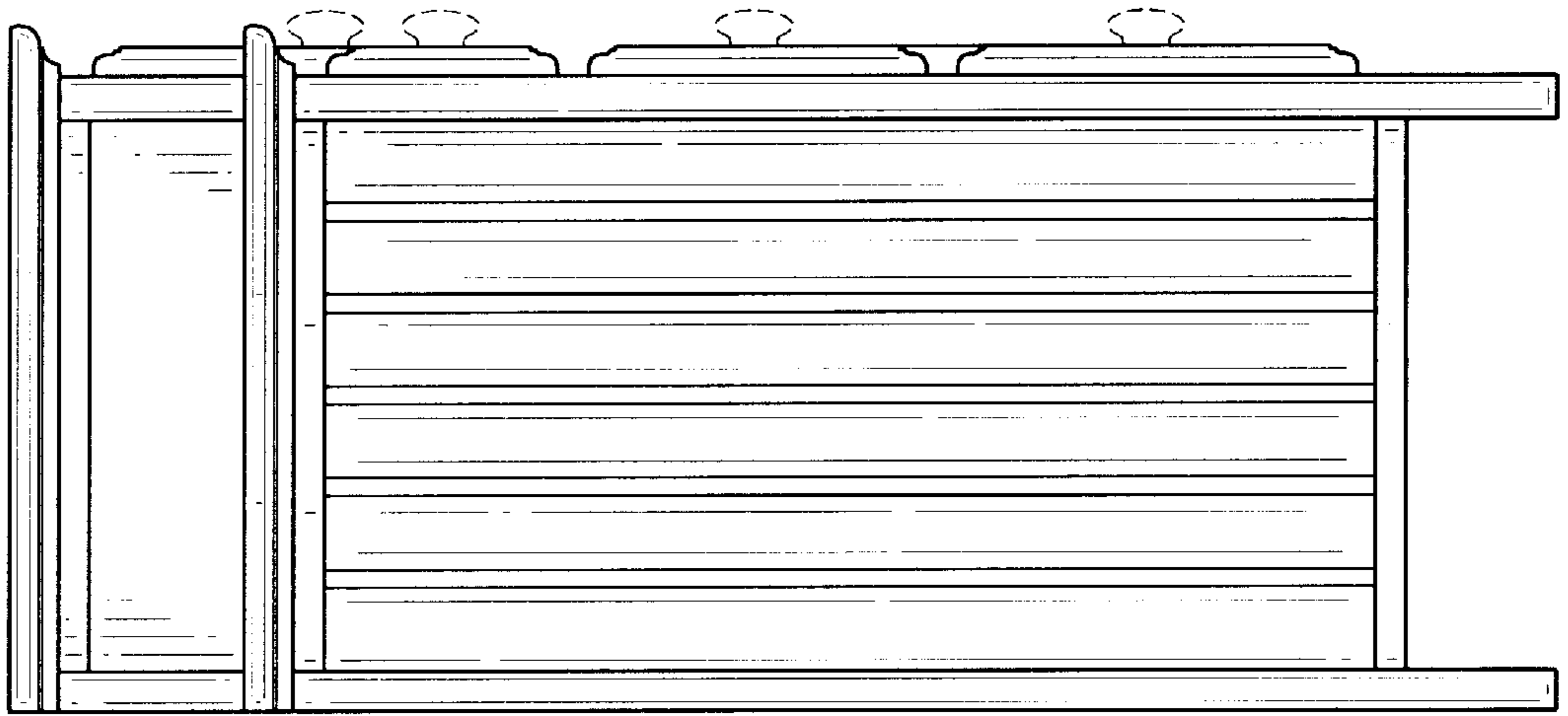


FIG. 5

FIG. 6

