



US00D432812S

United States Patent [19]
Rivera

[11] **Patent Number: Des. 432,812**

[45] **Date of Patent: ** Oct. 31, 2000**

[54] **COMBINATION INSTRUMENT AND MUSIC HOLDER**

3,934,806 1/1976 Rady 248/441.1

Primary Examiner—Janice E. Seeger

[76] Inventor: **Ivan A Rivera**, 333 W. 17th St., Santa Ana, Calif. 92706

[57] **CLAIM**

[**] Term: **14 Years**

The ornamental design for a combination instrument and music holder, as shown.

[21] Appl. No.: **29/104,204**

DESCRIPTION

[22] Filed: **Apr. 29, 1999**

FIG. 1 is a front elevational view of the combination instrument and music holder of the present invention; FIG. 2 is a back elevational view of the combination instrument and music holder of FIG. 1; FIG. 3 is a left side elevational view of the combination instrument and music holder of FIG. 1; FIG. 4 is a right side elevational view of the combination instrument and music holder of FIG. 1; FIG. 5 is a top plan view of the combination instrument and music holder of FIG. 1; and, FIG. 6 is a bottom plan view of the combination instrument and music holder of FIG. 1.

[51] **LOC (7) Cl.** **06-99**

[52] **U.S. Cl.** **D6/419**

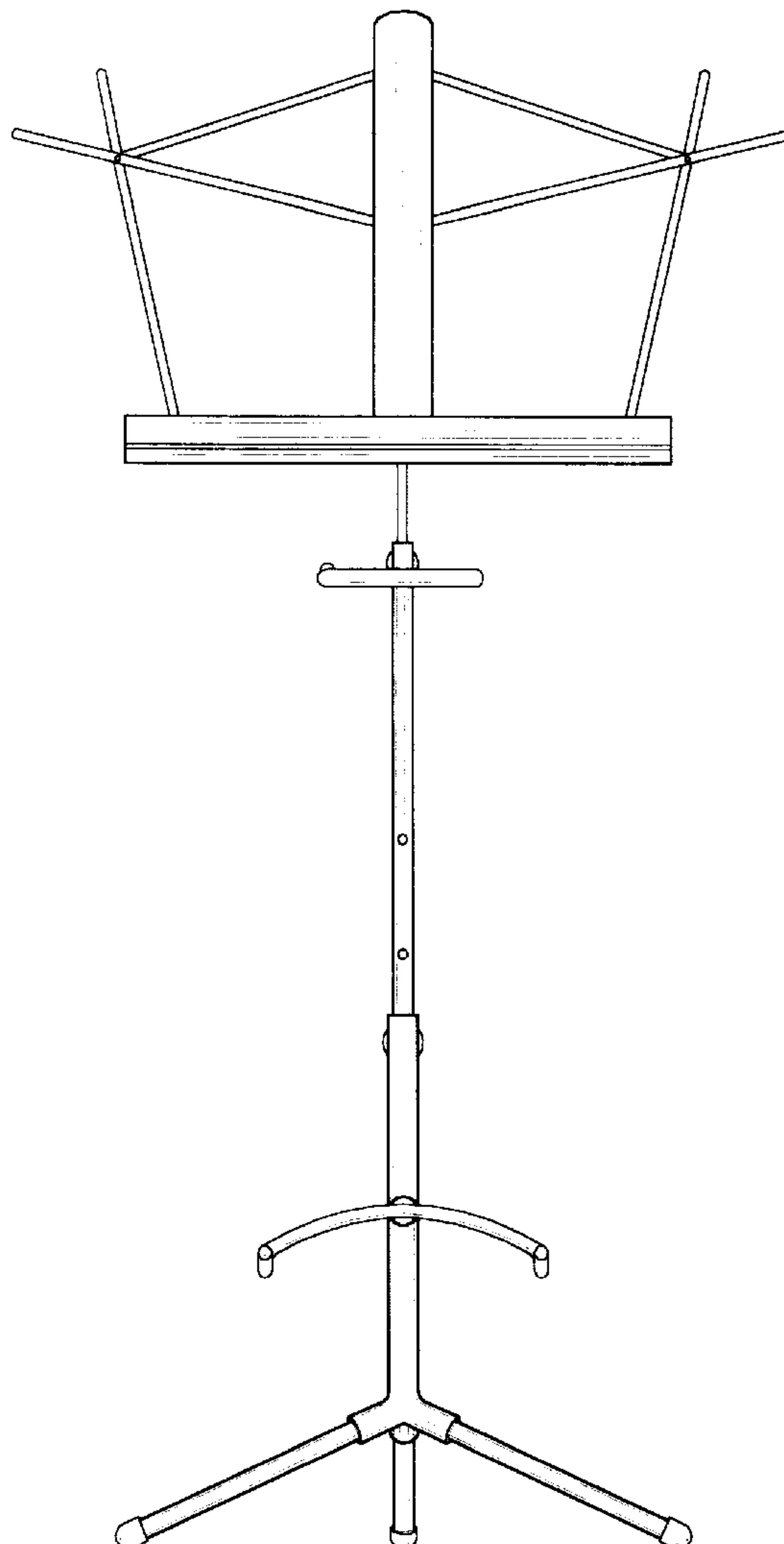
[58] **Field of Search** D6/419, 420, 495, D6/496, 499, 498, 397; 248/441.1, 460, 454, 456, 463, 447, 450

[56] **References Cited**

U.S. PATENT DOCUMENTS

D. 120,114	4/1940	Waechter	D6/496
D. 314,873	2/1991	Wenger et al.	D6/419
2,236,610	4/1941	Skamser	248/460

1 Claim, 3 Drawing Sheets



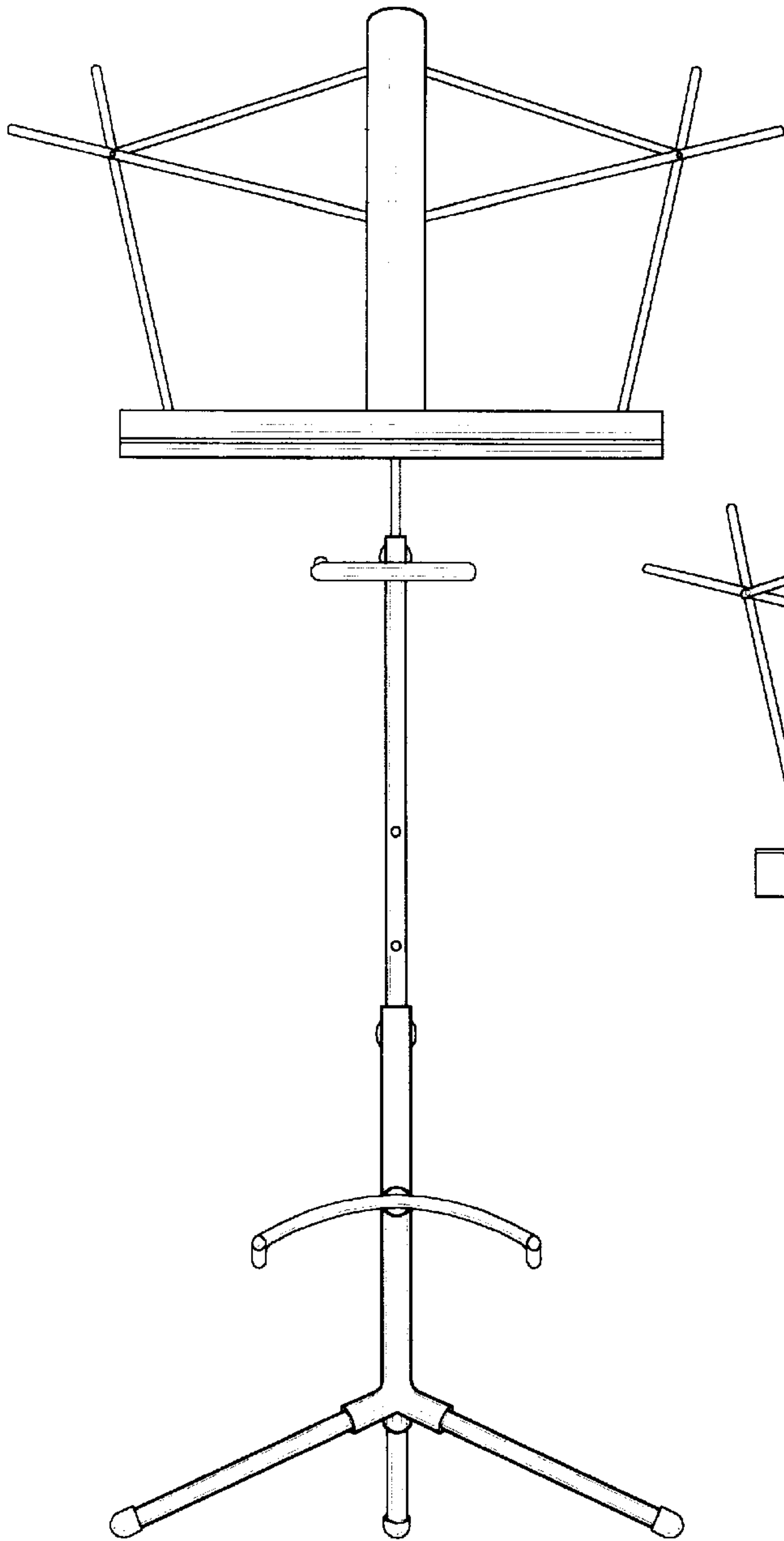


Fig. 1

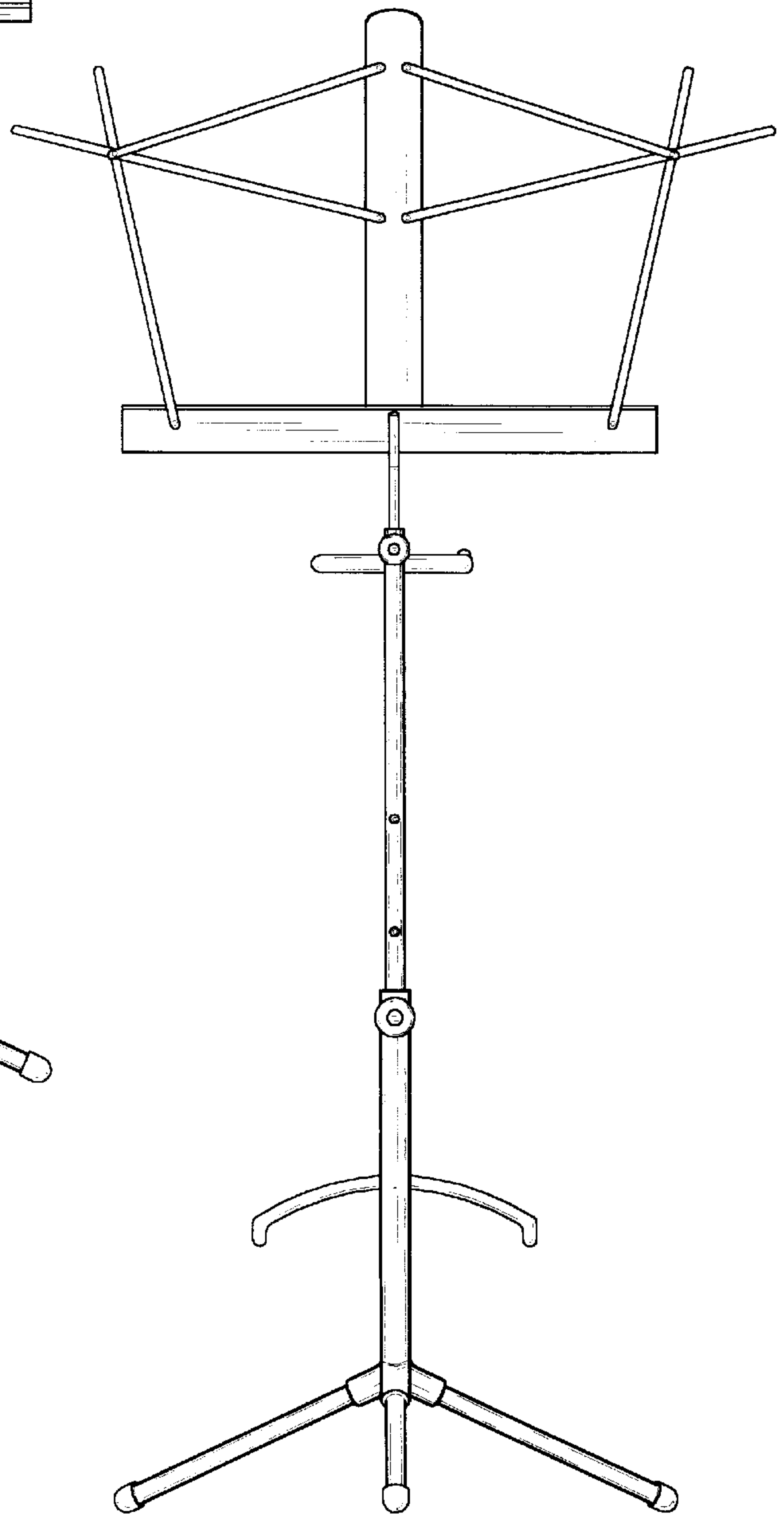


Fig. 2

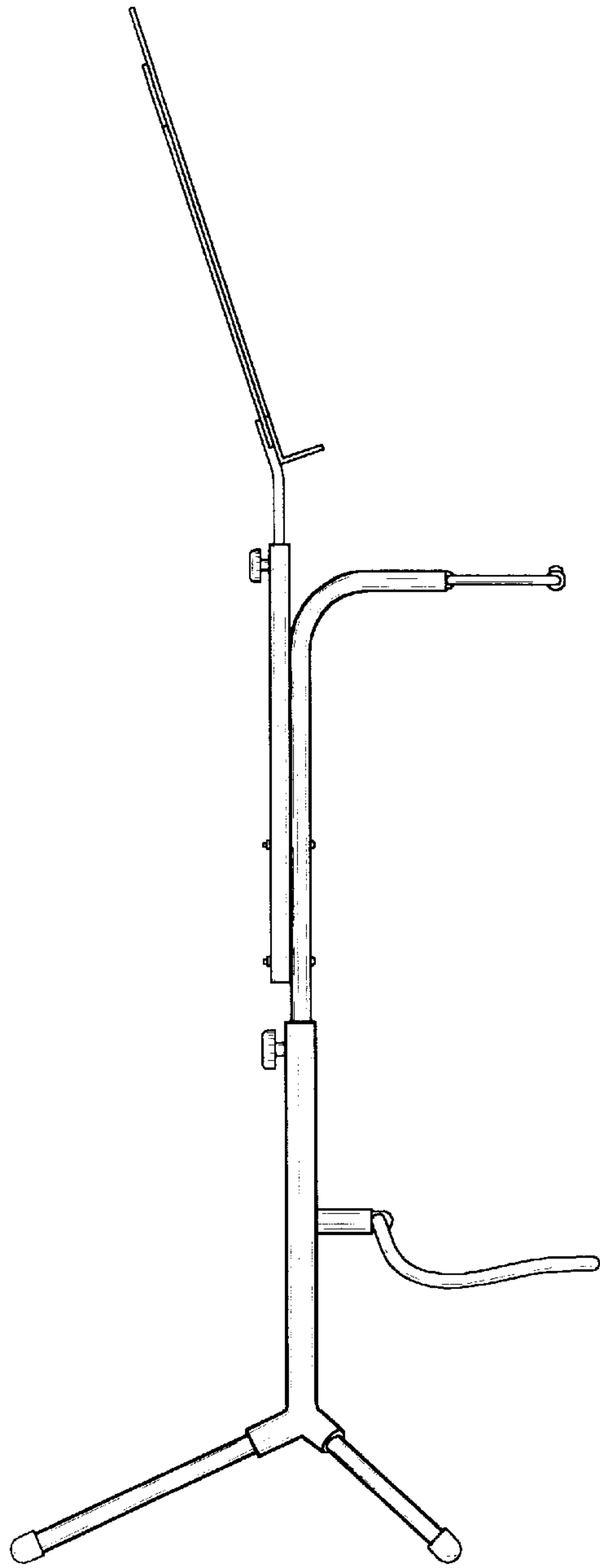


Fig. 3

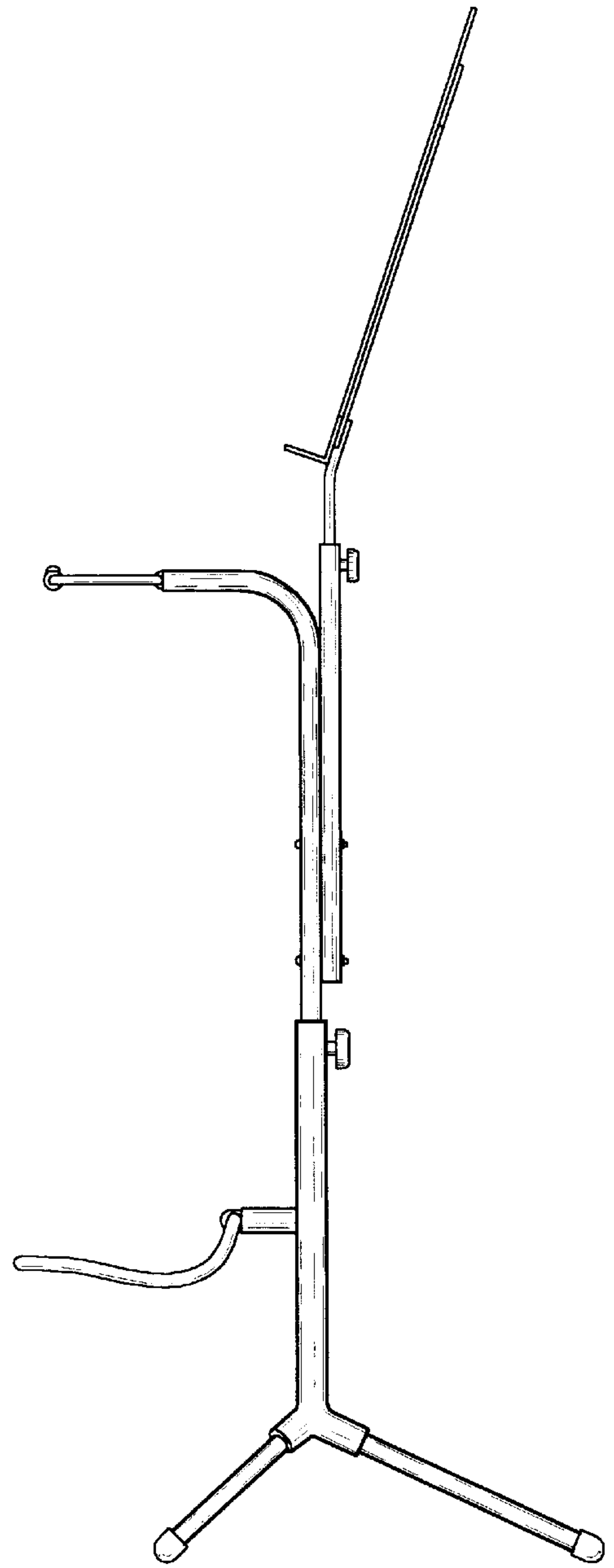


Fig. 4

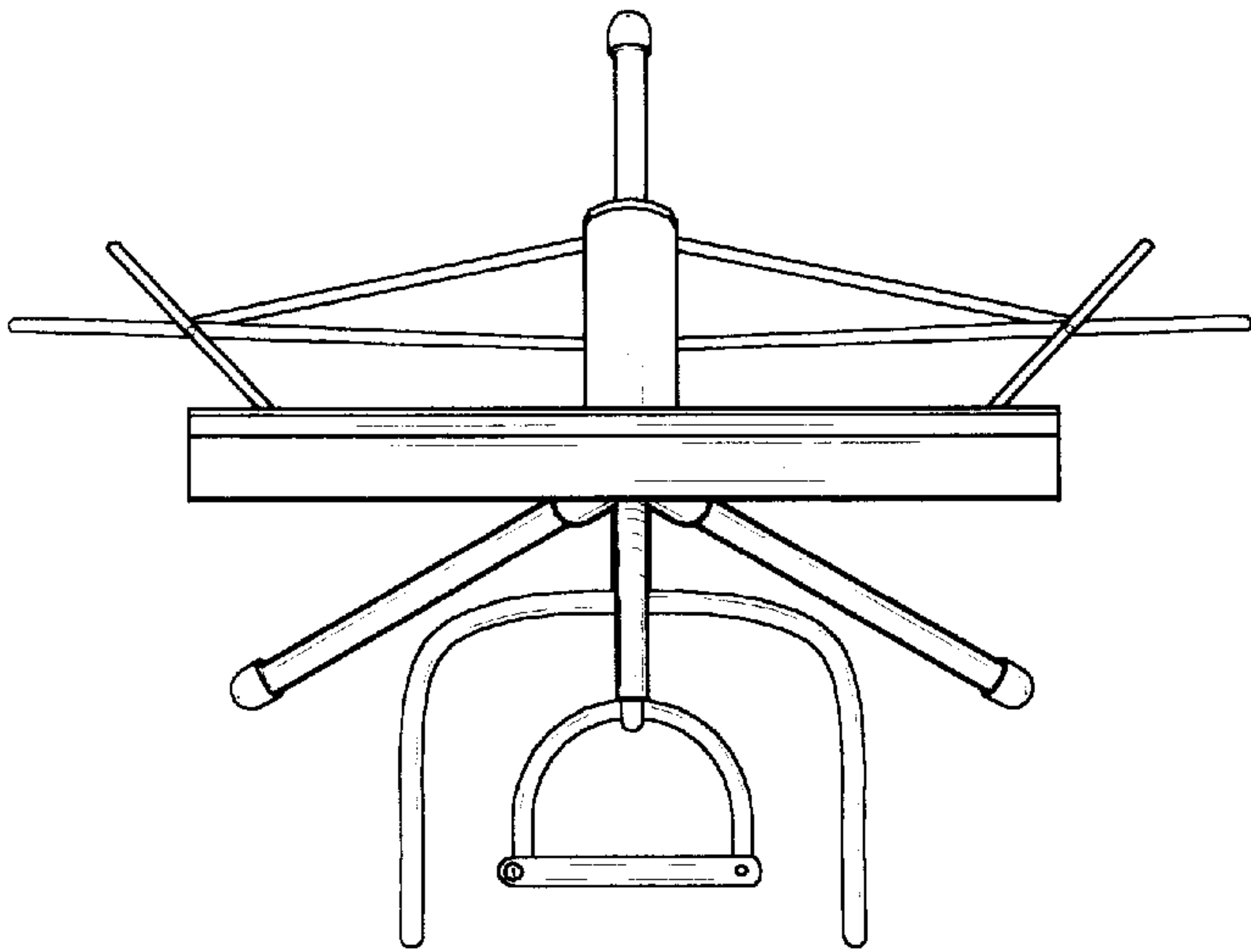


Fig. 5

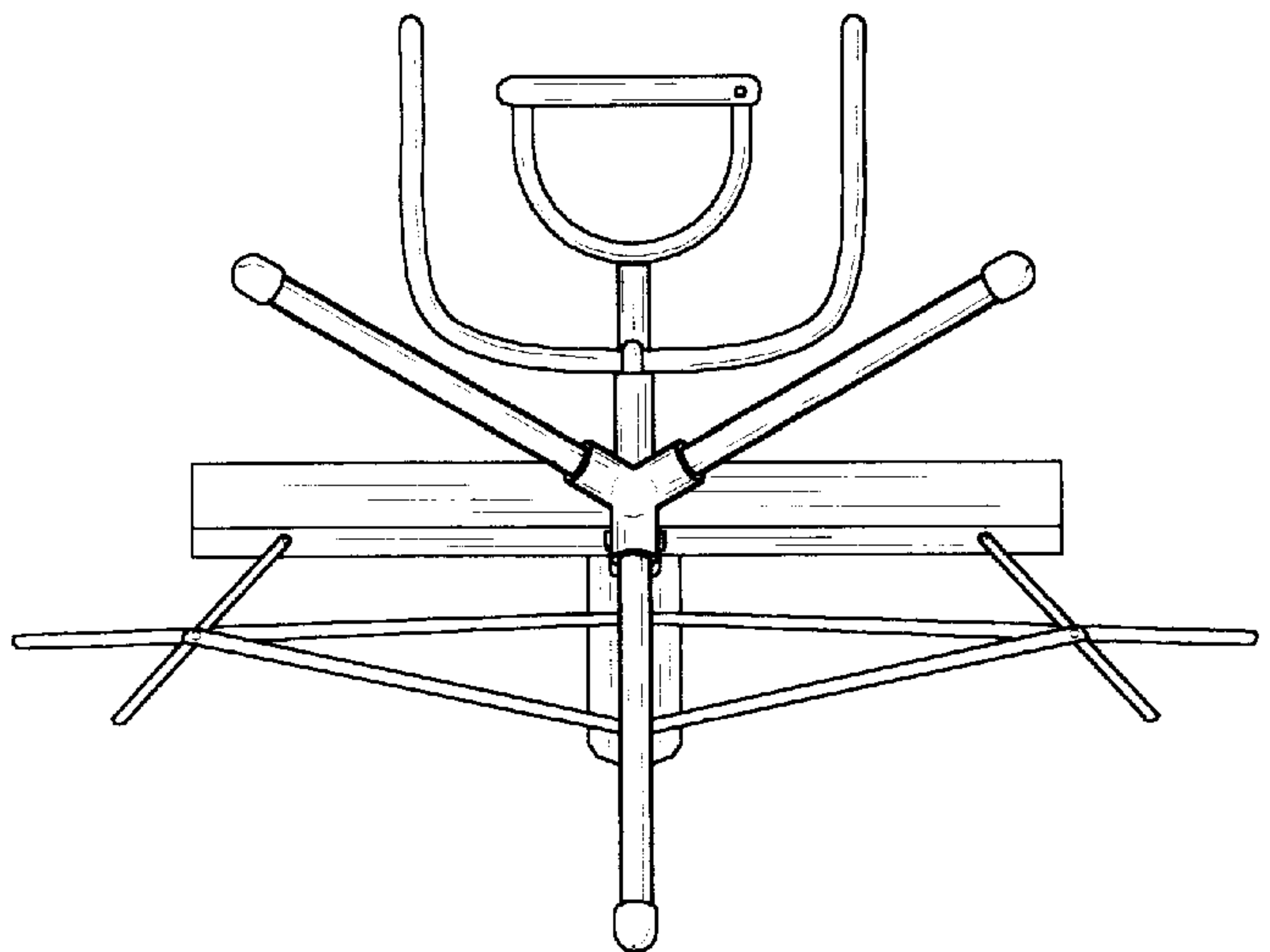


Fig. 6