



US00D432811S

United States Patent [19] Kulkey

[11] **Patent Number: Des. 432,811**

[45] **Date of Patent: ** Oct. 31, 2000**

[54] **TRICYCLE FLOWER POT HOLDER**

1,837,541 12/1931 Gill 280/274

[76] Inventor: **Richard E. Kulkey**, 16683 Sycamore St. NW., Andover, Minn. 55304

OTHER PUBLICATIONS

New Cycle Planters, p. 129, Fine Wrought Iron catalog, Mar. 1954.

[**] Term: **14 Years**

Primary Examiner—Doris V. Coles

Assistant Examiner—Mimosa De

Attorney, Agent, or Firm—Dicke, Billig & Czaja, P.A.

[21] Appl. No.: **29/118,791**

[22] Filed: **Feb. 16, 2000**

[57] CLAIM

[51] **LOC (7) Cl.** **06-99**

[52] **U.S. Cl.** **D6/404**; D11/149

[58] **Field of Search** D6/403, 404; D11/143, D11/148, 149, 150, 151, 152, 153, 154; 47/39, 41.01, 67, 44, 45, 46, 47; 206/423; 248/27.8, 153; 215/228; D12/112; 280/271, 274

The ornamental design for a tricycle flower pot holder, as shown and described.

DESCRIPTION

[56] References Cited

U.S. PATENT DOCUMENTS

243,166	6/1881	Shirreff	280/274
381,144	4/1888	Kohler	280/274
381,590	4/1888	Slutz	280/274
909,715	1/1909	Troegeler	D11/153
1,028,399	6/1912	Sleffel	280/274
1,301,990	4/1919	White et al.	280/274
1,474,577	11/1923	Bobbitt	D12/112

FIG. 1 is a perspective view of a tricycle flower pot holder showing my new design;

FIG. 2 is a right side view thereof;

FIG. 3 is a left side view thereof;

FIG. 4 is a top view thereof;

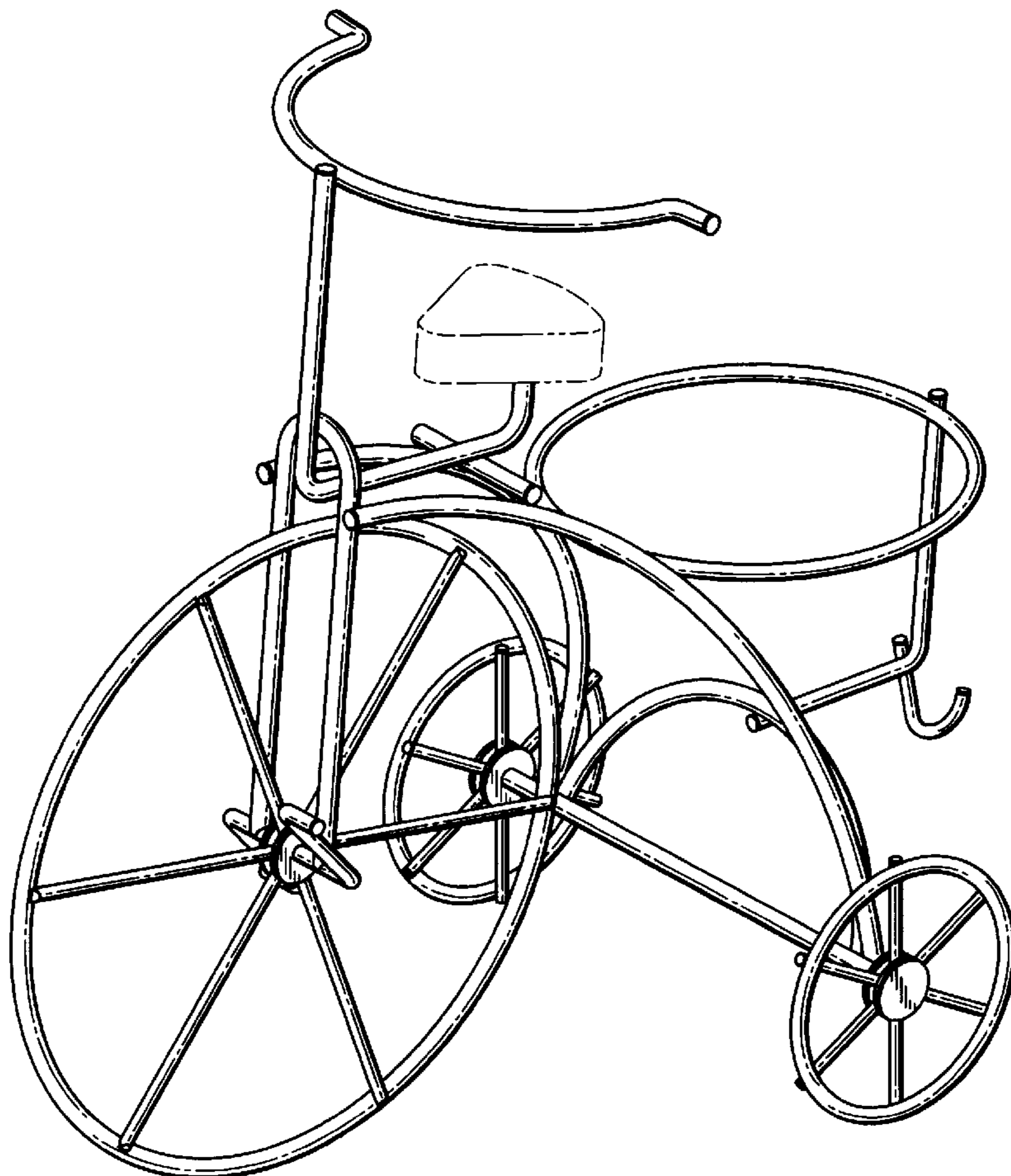
FIG. 5 is a bottom view thereof;

FIG. 6 is a rear view thereof; and,

FIG. 7 is a front elevational view thereof.

The broken line showing of the tricycle seat is for illustrative purposes only and forms no part of the claimed design.

1 Claim, 4 Drawing Sheets



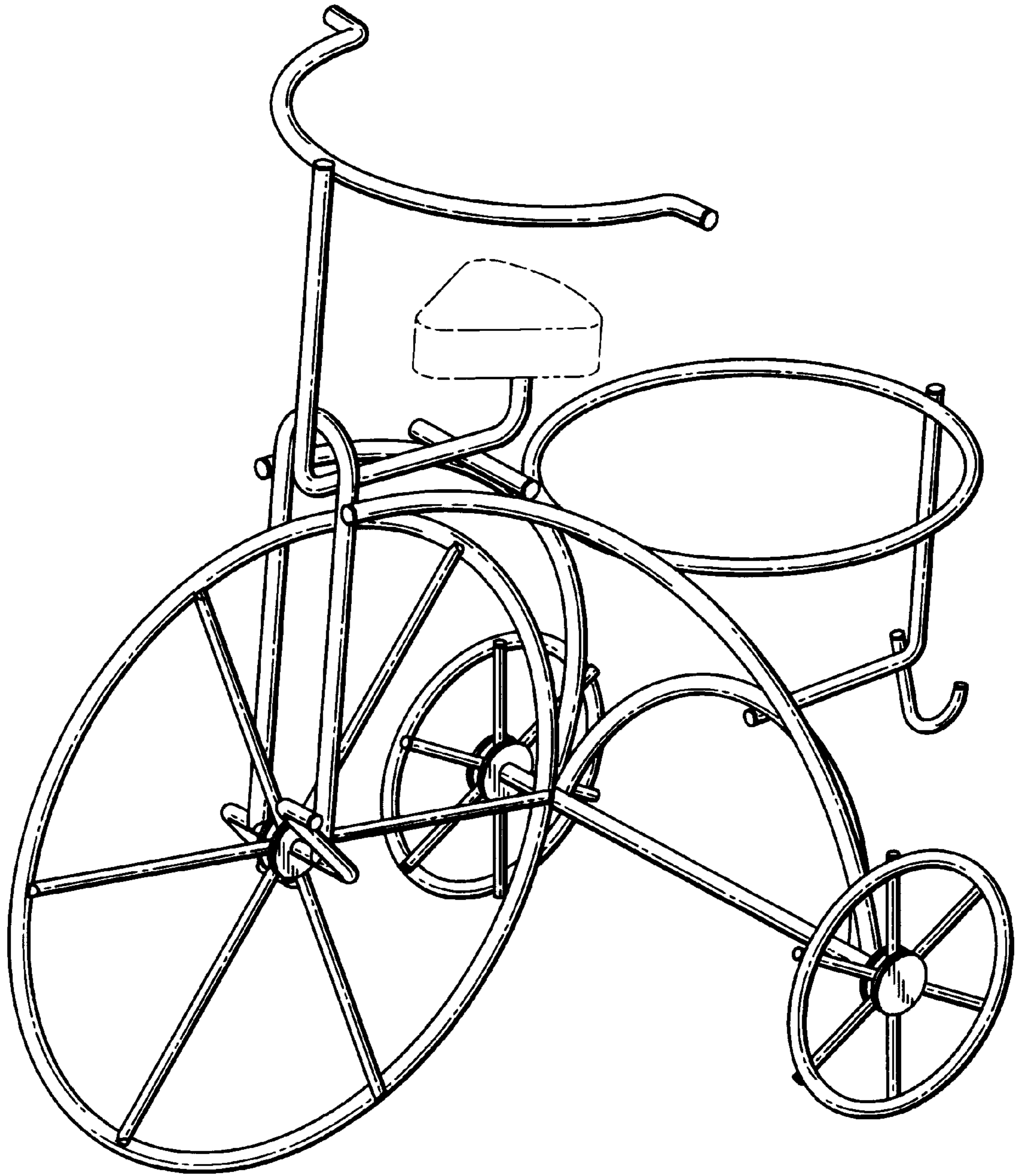


Fig. 1

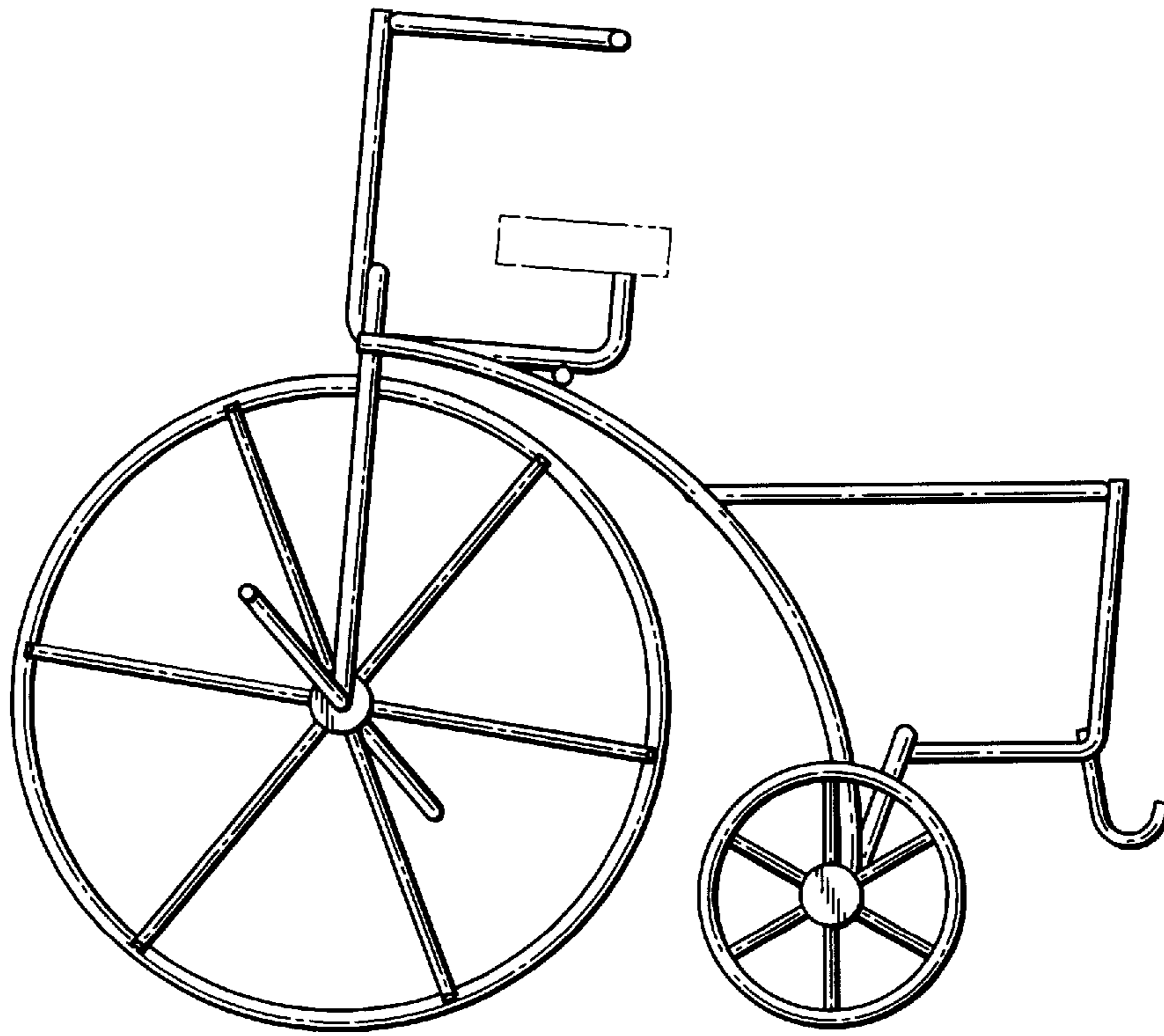


Fig. 2

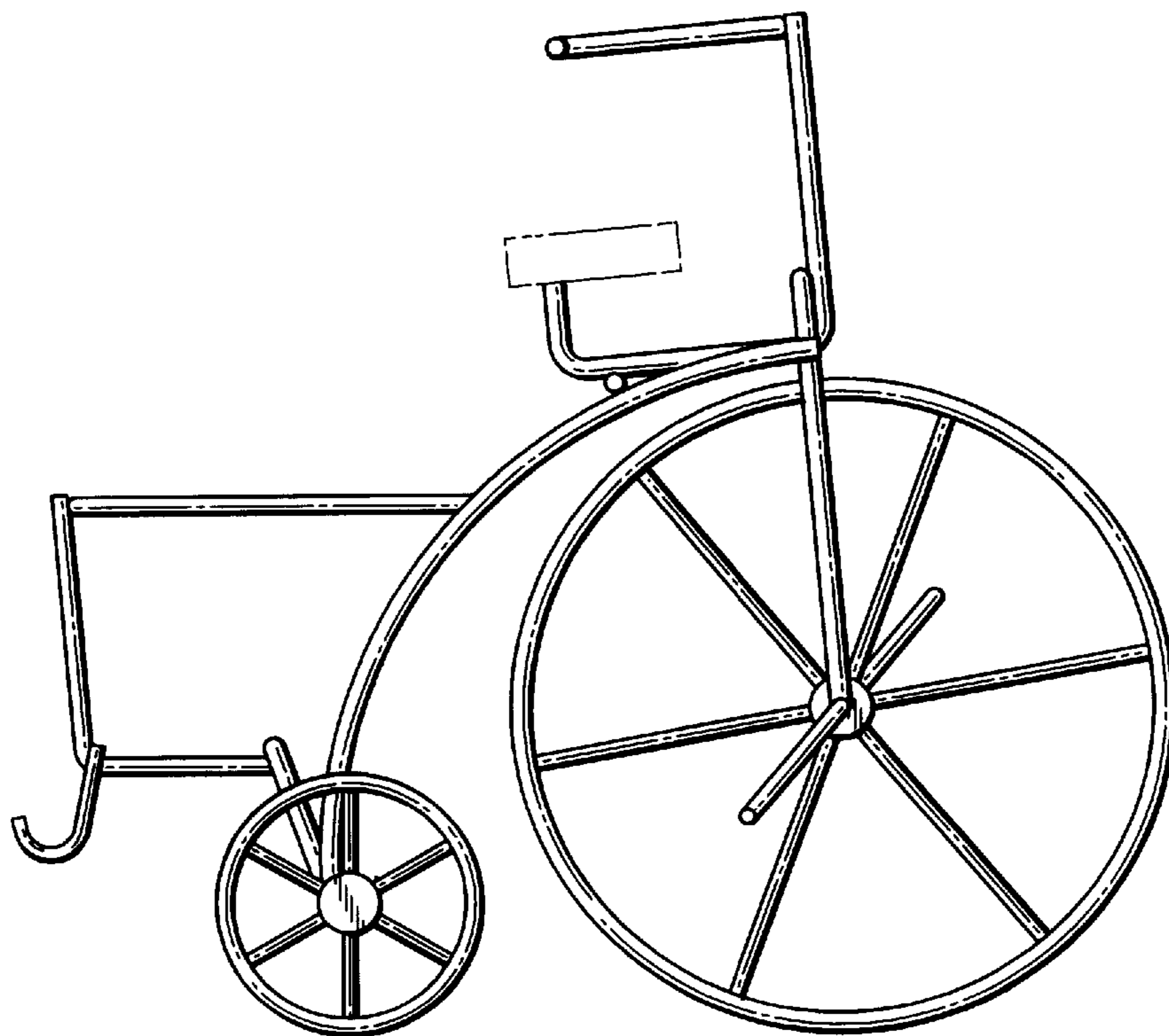


Fig. 3

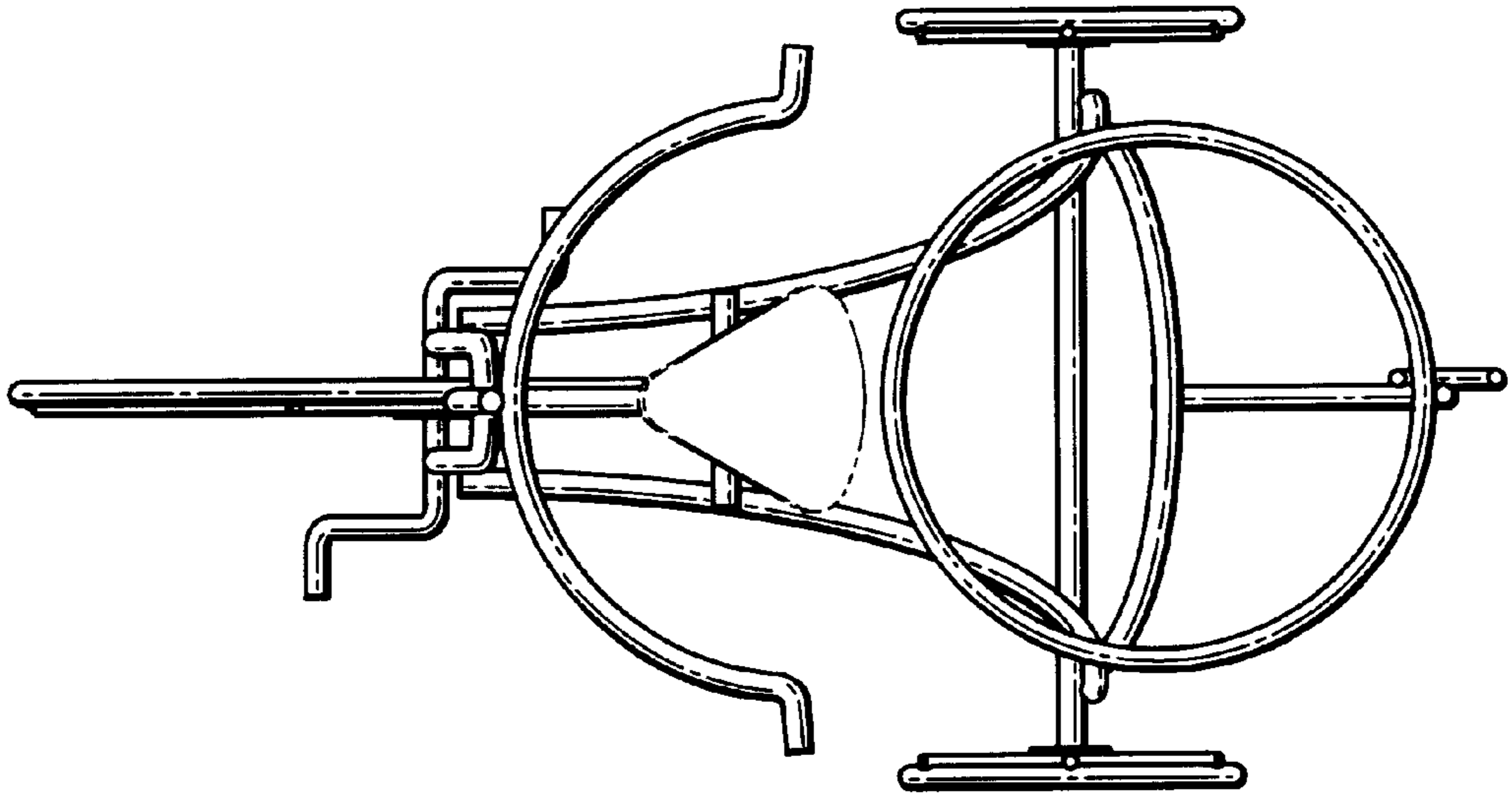


Fig. 4

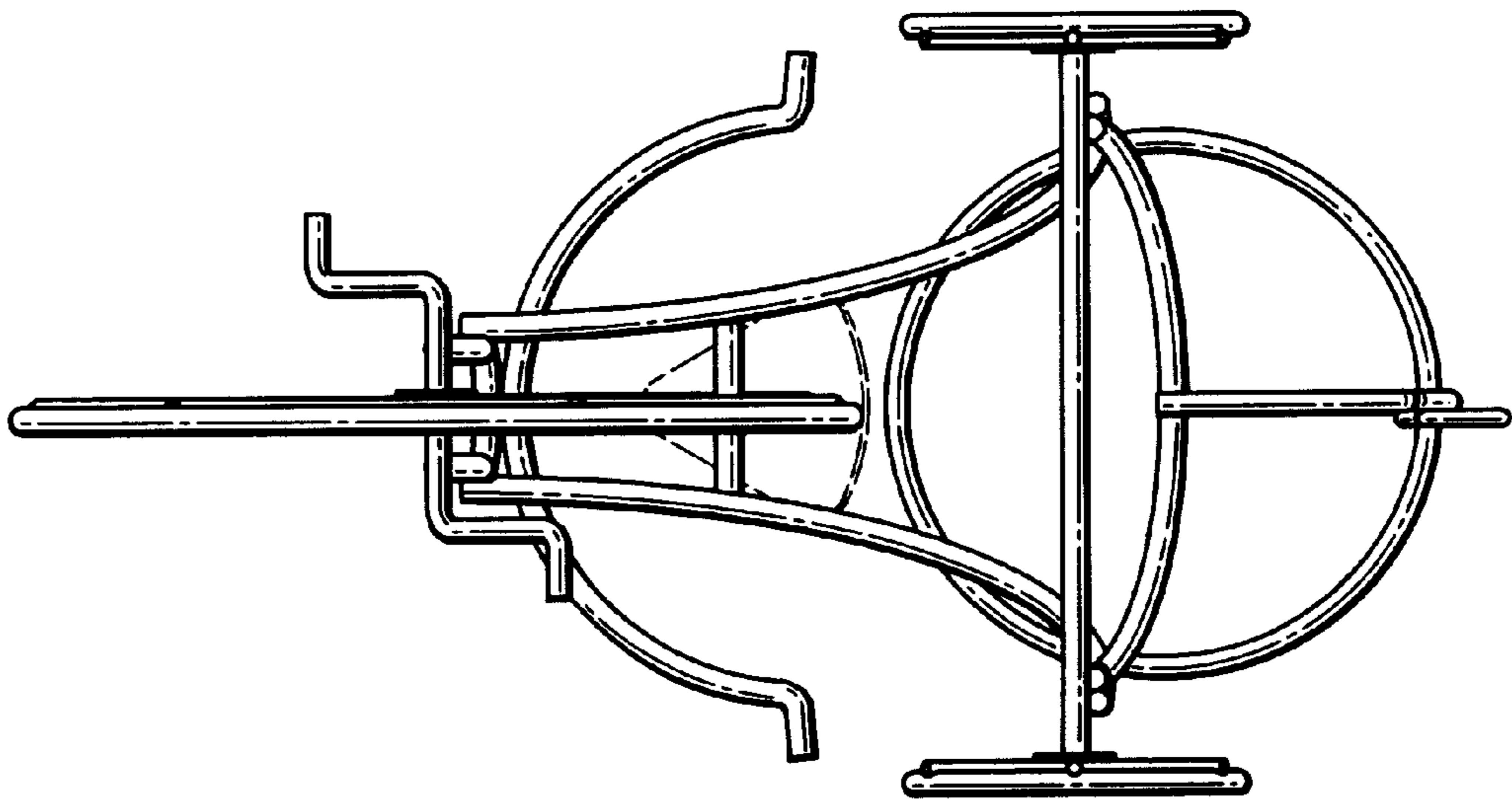


Fig. 5

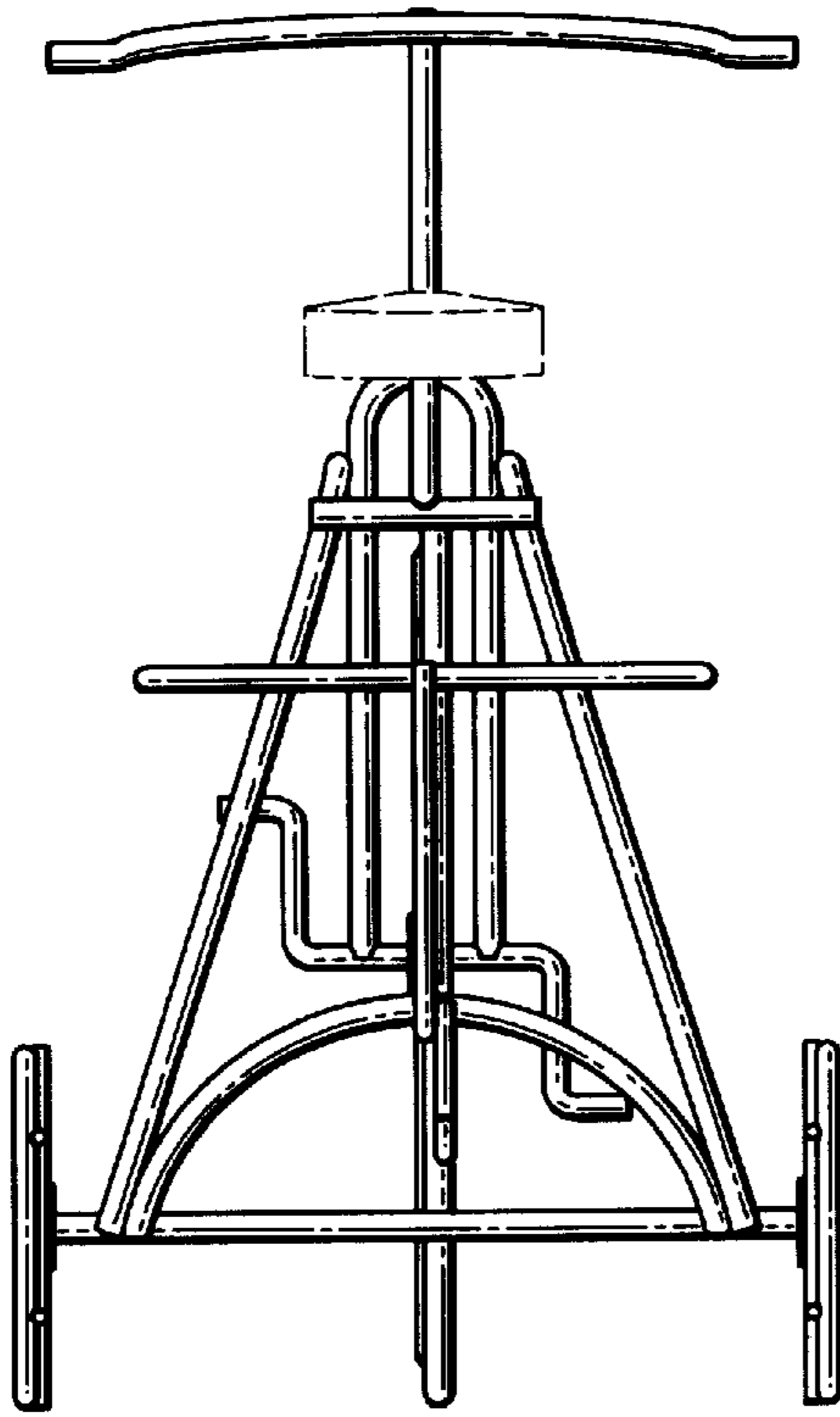


Fig. 6

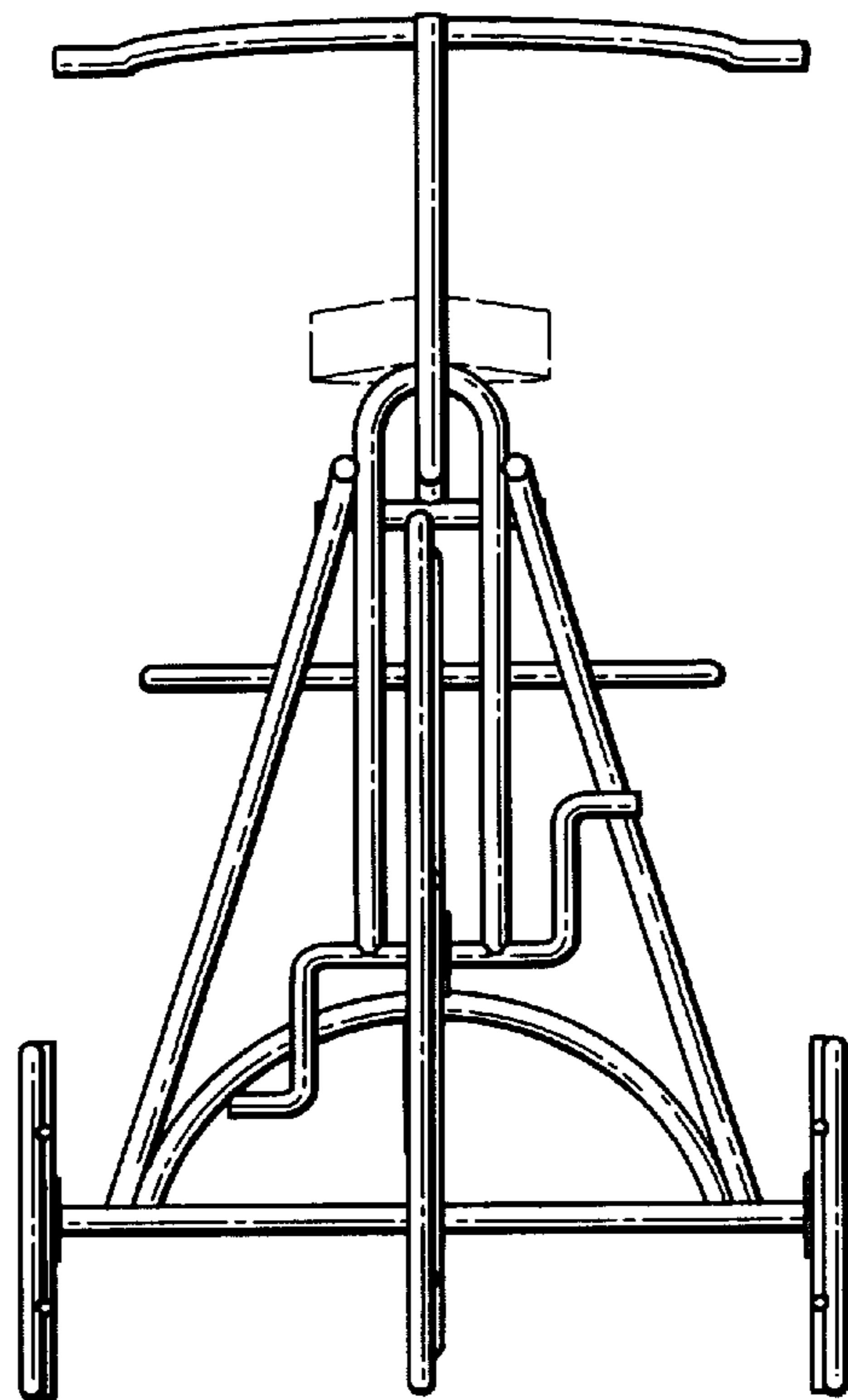


Fig. 7