



US00D432810S

United States Patent [19] Eckhoff et al.

[11] **Patent Number: Des. 432,810**
[45] **Date of Patent: ** Oct. 31, 2000**

[54] **LEG SET**

[75] Inventors: **Paul J. Eckhoff**, O'Fallon; **Randall E. Campbell**, Hazelwood; **Frank J. Tomiser, Jr.**, St. Louis; **Daniel A. Terpstra**, Kirkwood, all of Mo.

[73] Assignee: **Emerson Electric Co.**, St. Louis, Mo.

[**] Term: **14 Years**

[21] Appl. No.: **29/111,100**

[22] Filed: **Sep. 17, 1999**

[51] **LOC (7) Cl.** **06-03**

[52] **U.S. Cl.** **D6/400**

[58] **Field of Search** D6/480-489, 495-499, D6/429, 400; 108/153.1, 155, 156, 157.1, 161, 106; 248/188, 188.1; D25/67; 182/224; 269/139, 16

[56] **References Cited**

U.S. PATENT DOCUMENTS

D. 280,440	9/1985	Gromer, Jr.	D25/67
D. 355,546	2/1995	Hewitt	D6/480
D. 374,996	10/1996	Noniewicz	D6/400
D. 419,331	1/2000	Dembicks	D6/429
4,152,834	5/1979	Stansberry	182/155
4,570,752	2/1986	Chapman et al.	182/155

4,771,863	9/1988	Stansberry	182/155
5,893,607	4/1999	Trimnell	297/170
5,921,347	7/1999	Rodriguez et al.	182/186.2
5,954,156	9/1999	Cooke	182/153

OTHER PUBLICATIONS

Emerson Manual Entitled: "9-22244 Leg Set for Bench Top Power Tools", Printed May, 1995.

Primary Examiner—Janice E. Seeger
Attorney, Agent, or Firm—Howrey Simon Arnold & White, LLP

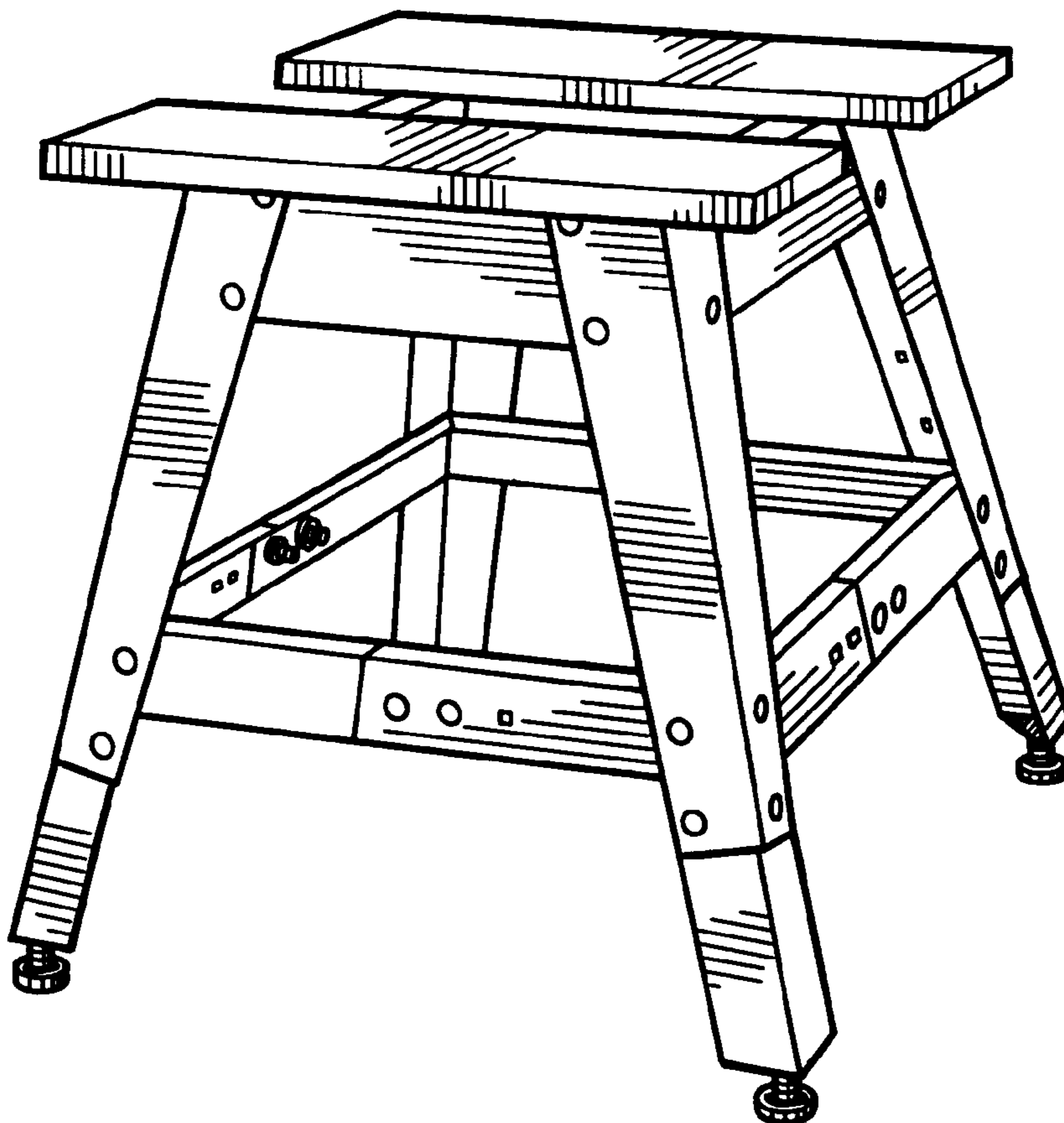
[57] **CLAIM**

The ornamental design for a leg set, as shown and described.

DESCRIPTION

FIG. 1 is a front perspective view of the leg set of the present invention in its narrowest position.
FIG. 2 is a front perspective view of the leg set of the present invention, in its middle position.
FIG. 3 is a front perspective view of the leg set of the present invention, in its widest position.
FIG. 4 is a front view of the leg set of the present invention the rear being a mirror image thereof.
FIG. 5 a side view of the leg set of the present invention the opposite side being a mirror image thereof; and,
FIG. 6 is a top view of the leg set of the present invention.

1 Claim, 3 Drawing Sheets



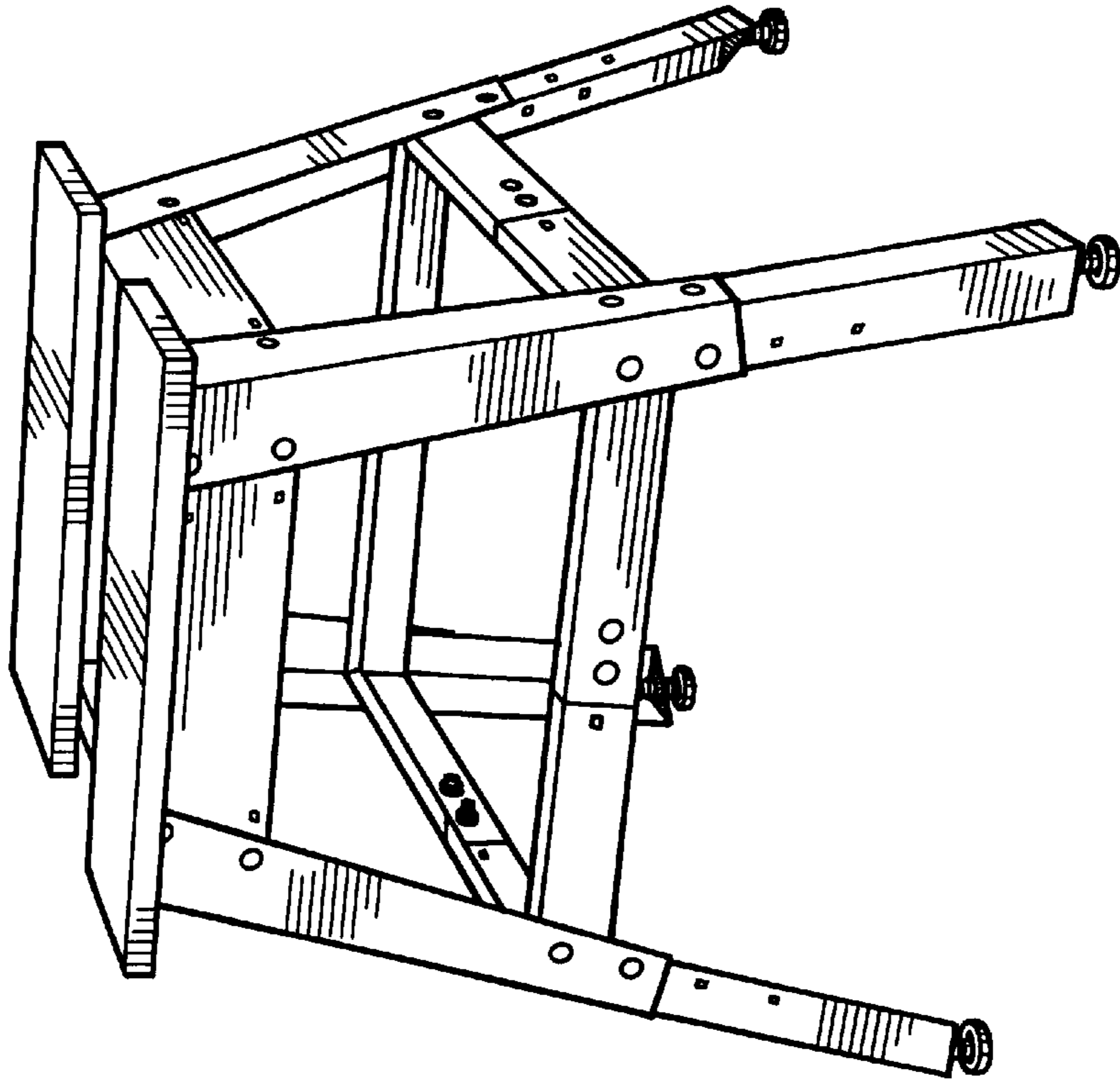


FIG. 2

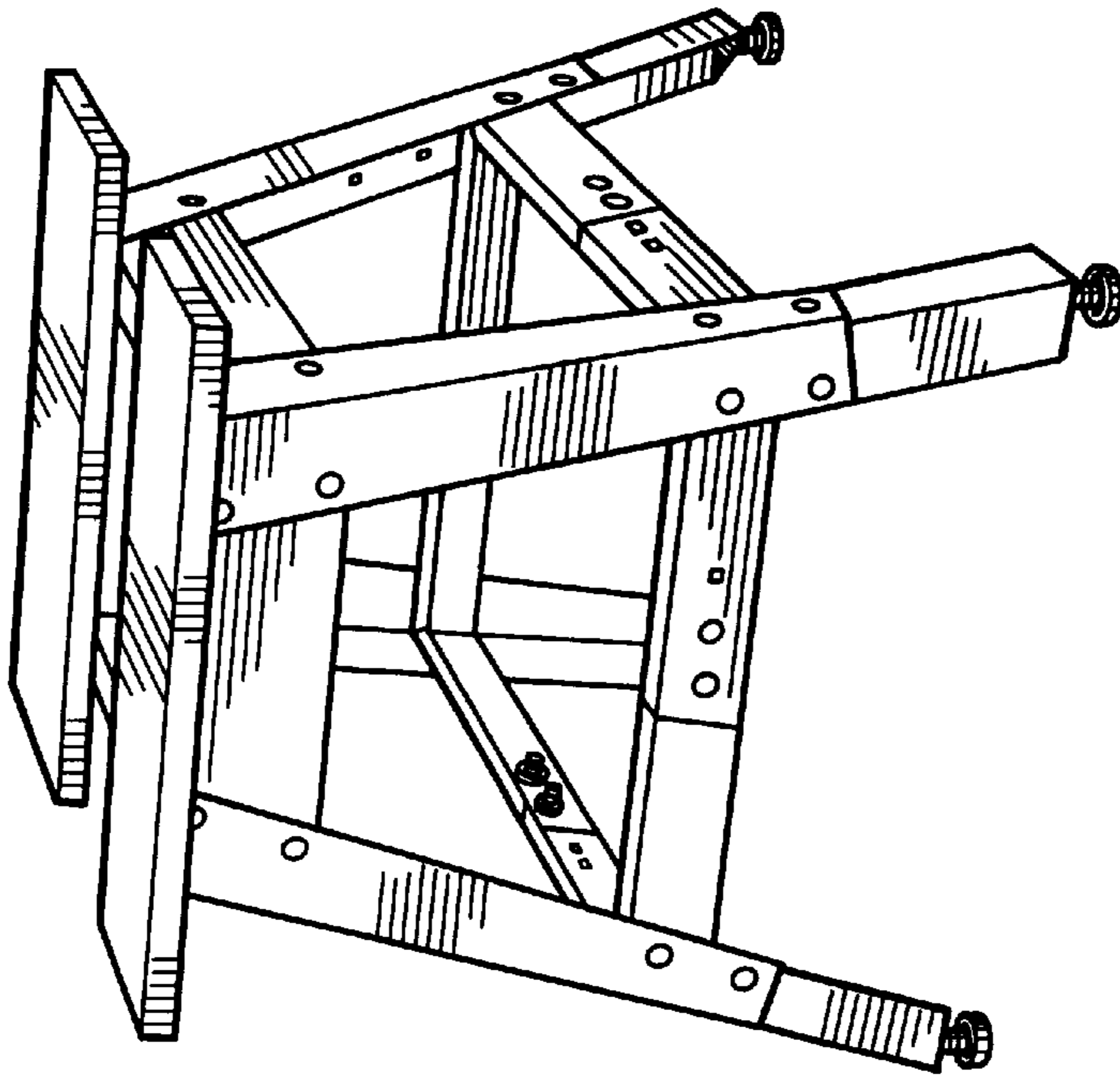


FIG. 1

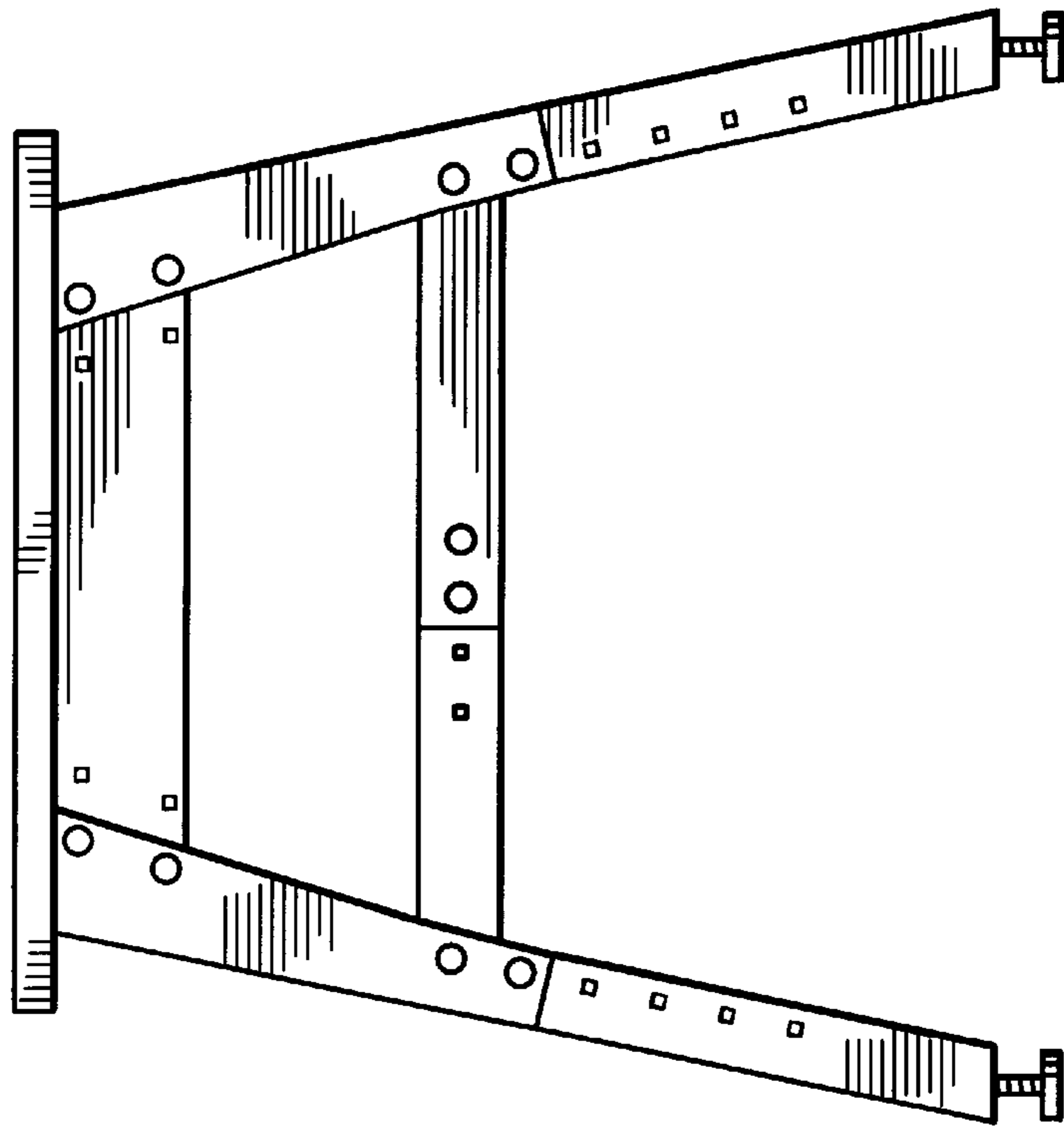


FIG. 4

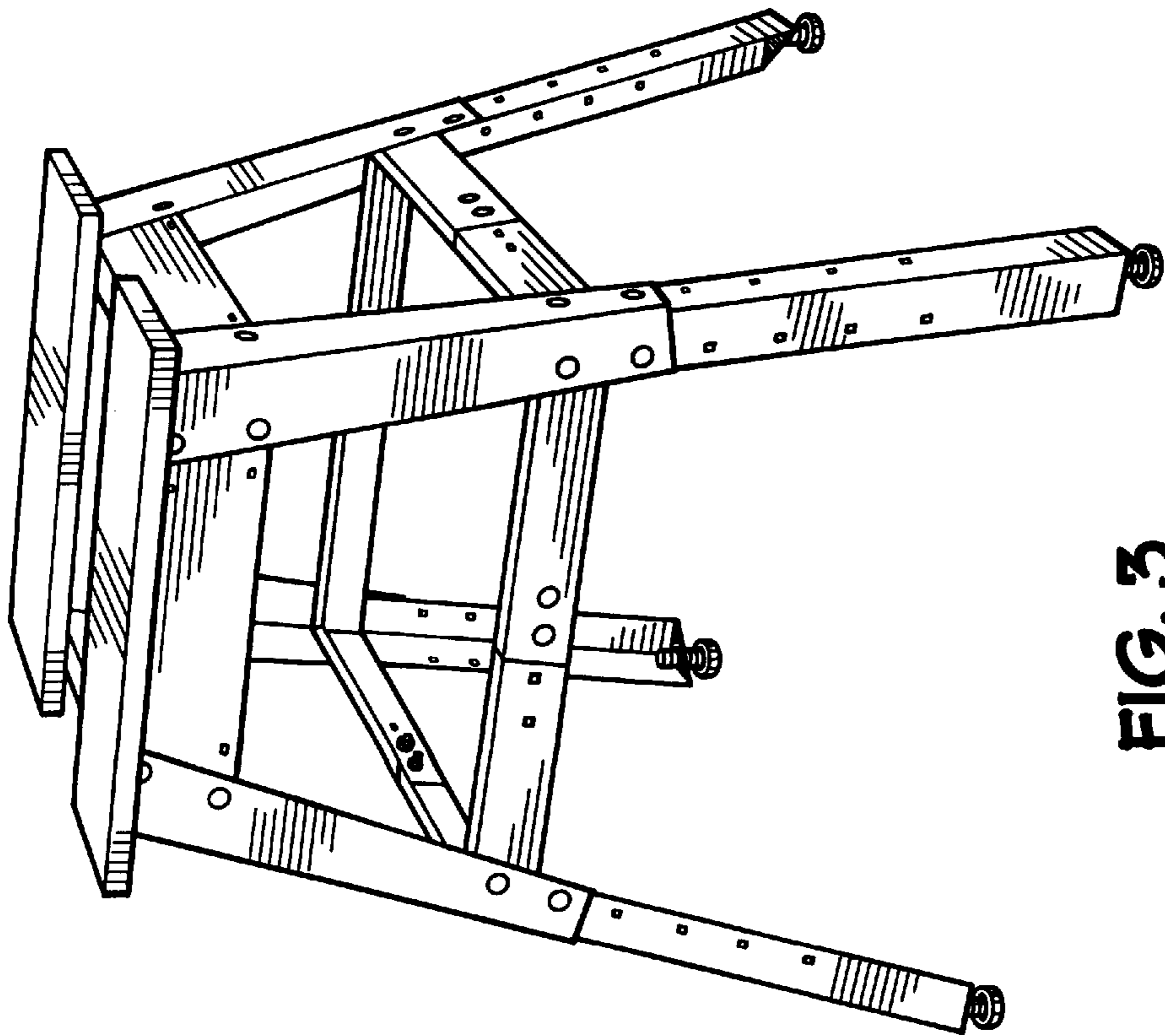


FIG. 3

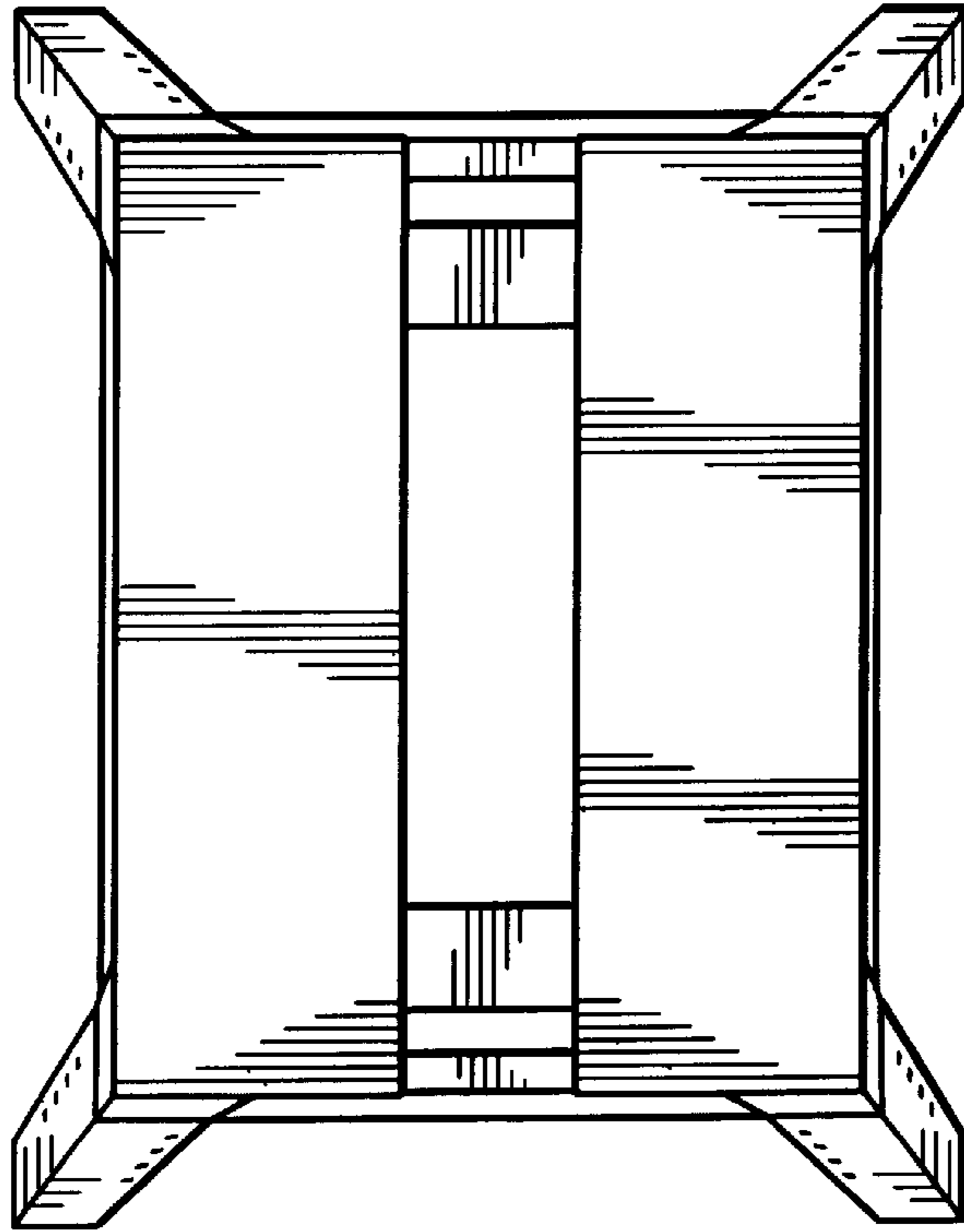


FIG. 6

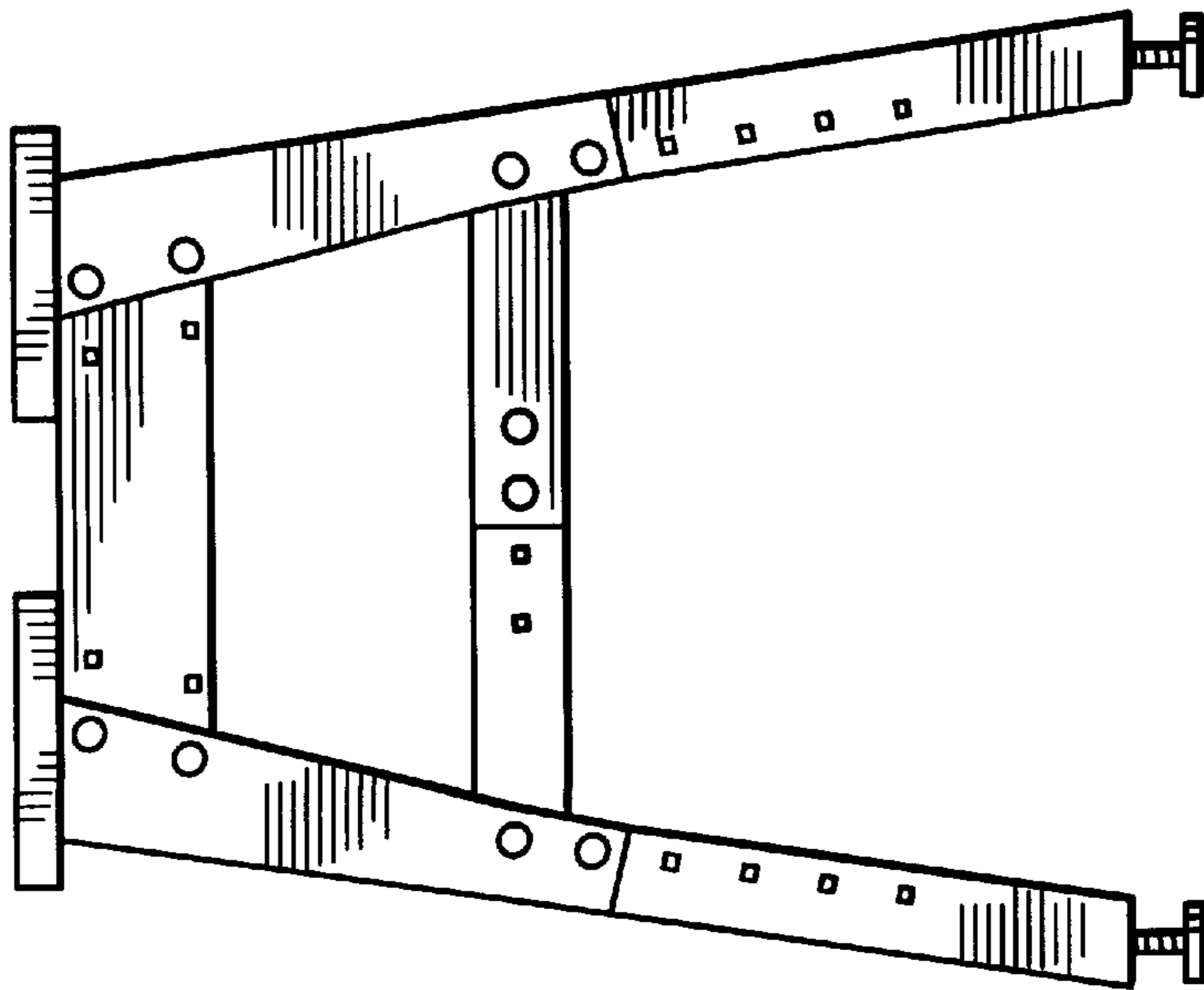


FIG. 5