



US00D432809S

United States Patent [19]
Hewitt

[11] **Patent Number: Des. 432,809**

[45] **Date of Patent: ** Oct. 31, 2000**

[54] **FOLDING ROUTER TABLE**

[76] Inventor: **Tim Hewitt**, 18 Kensington Blvd., Pleasant Ridge, Mich. 48069

[**] Term: **14 Years**

[21] Appl. No.: **29/110,778**

[22] Filed: **Sep. 13, 1999**

[51] **LOC (7) Cl.** **06-03**

[52] **U.S. Cl.** **D6/396; D6/400; D6/349; D6/480**

[58] **Field of Search** D6/480-489, 429-431, D6/511, 400, 397; 108/25, 28, 29, 50.11, 118, 38, 153.1, 155, 156, 157.1, 161; 248/188, 188.1, 188.8; D15/133, 141; 269/292, 293

[56] **References Cited**

U.S. PATENT DOCUMENTS

D. 89,412	3/1933	Redlich, Jr.	D6/480
D. 253,212	10/1979	Maruscak et al.	D6/400
3,380,402	4/1968	Simpson	108/25
3,646,895	3/1972	Campbell	108/118
5,778,800	7/1998	Liang	108/50.11

Primary Examiner—Janice E. Seeger
Attorney, Agent, or Firm—Howard & Howard

[57] **CLAIM**

The ornamental design for the folding router table, as shown and described.

DESCRIPTION

FIG. 1 is a perspective view of the router table of the present invention.

FIG. 2 is a top view of the router table of the present invention.

FIG. 3 is a first-end view of the router table of the present invention.

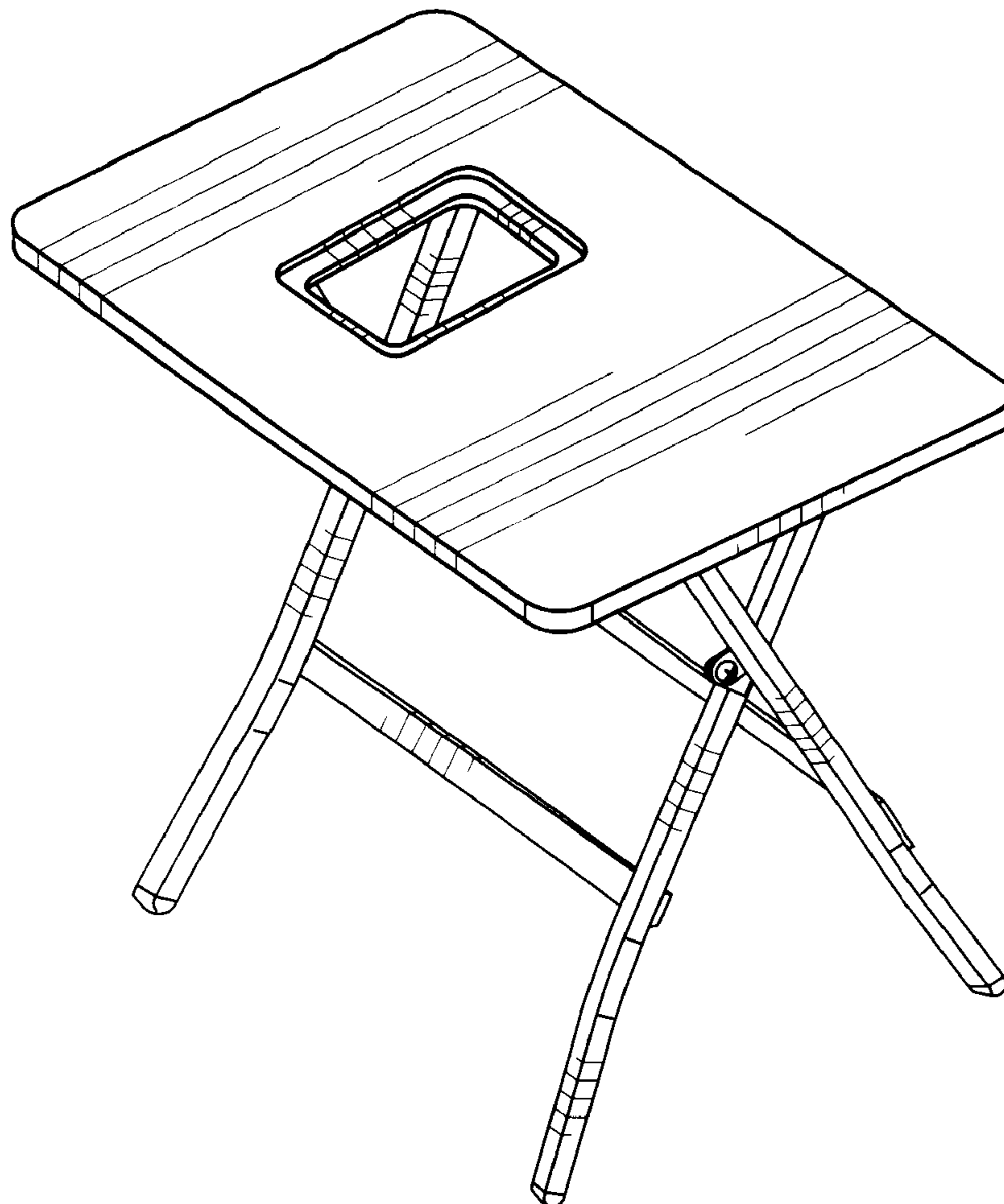
FIG. 4 is a side view of the router table of the present invention the opposite side being a mirror image thereof.

FIG. 5 is the opposite end view opposite that illustrated in FIG. 3 of the router table of the present invention.

FIG. 6 is a side view of the router table in the folded position; and,

FIG. 7 is a top view of an alternative embodiment of the router table of the present invention.

1 Claim, 5 Drawing Sheets



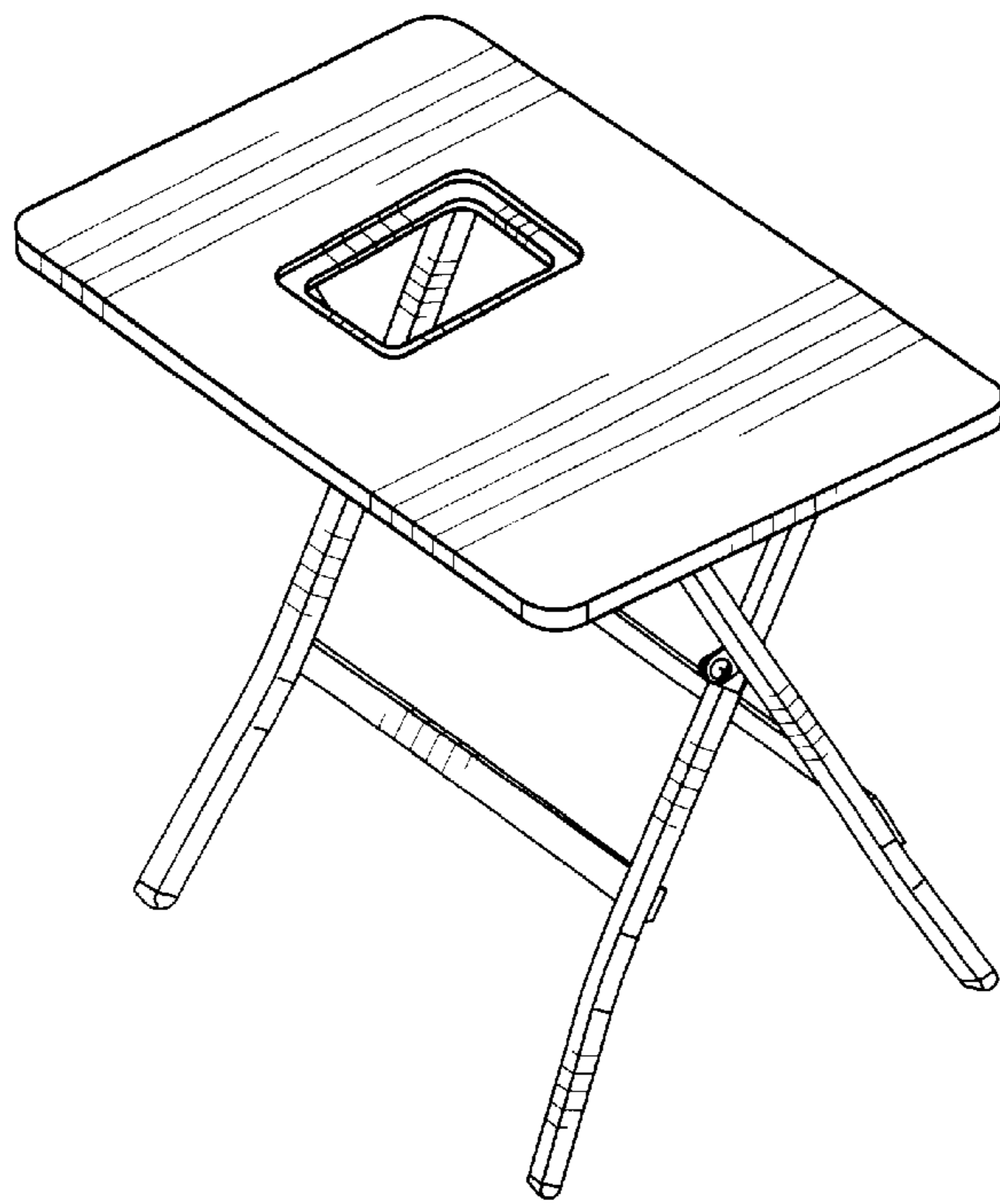
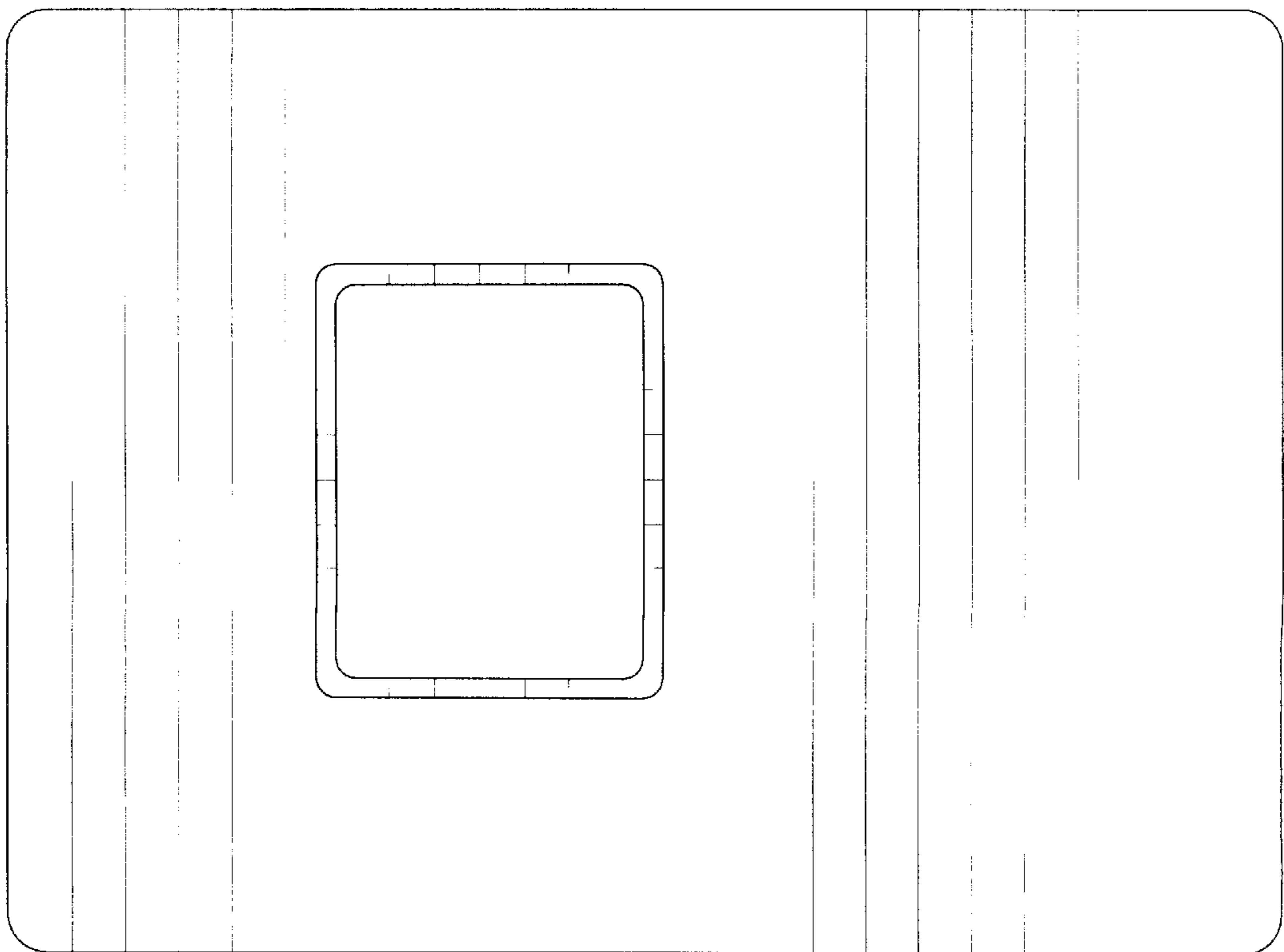


Fig-1

Fig-2



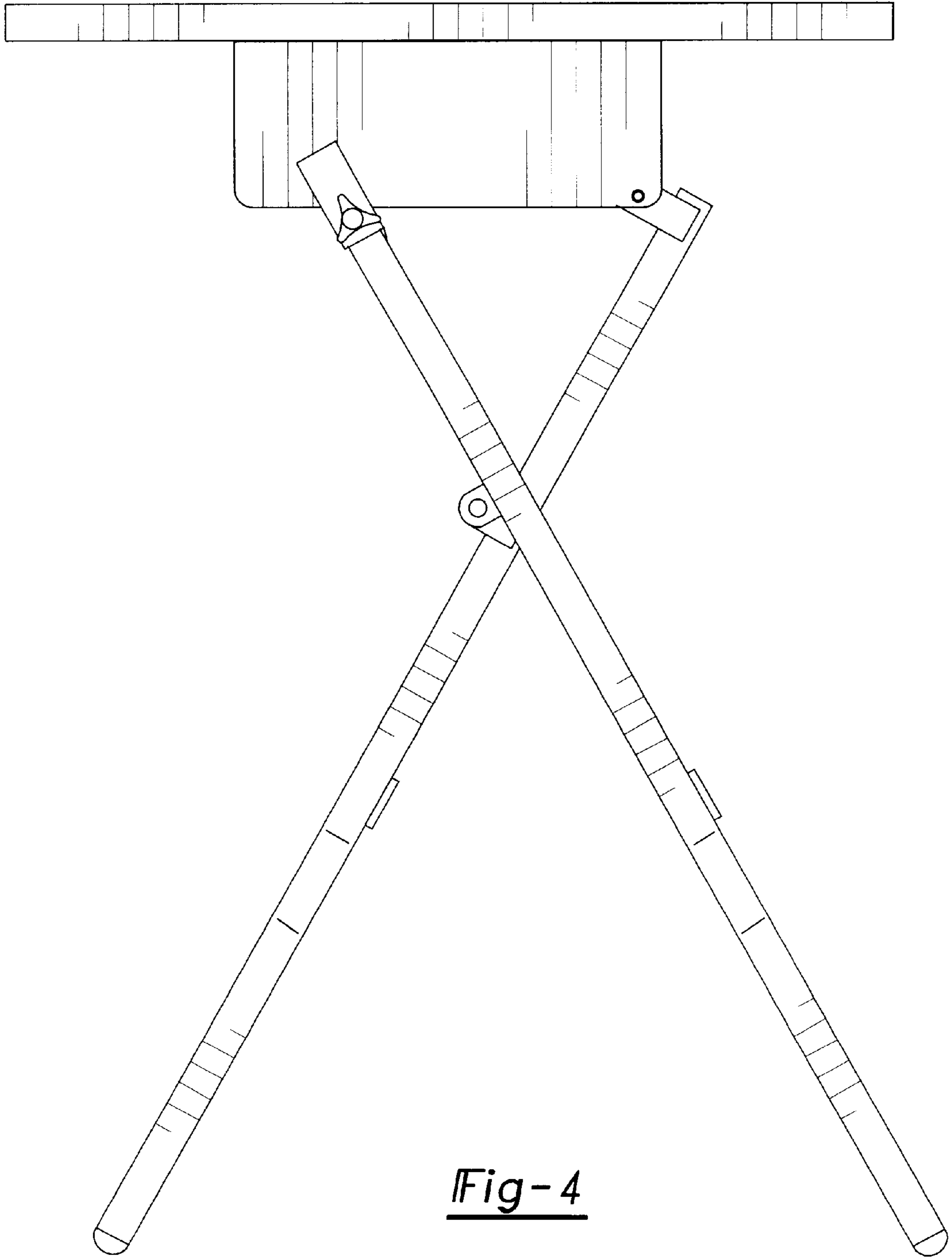


Fig-4

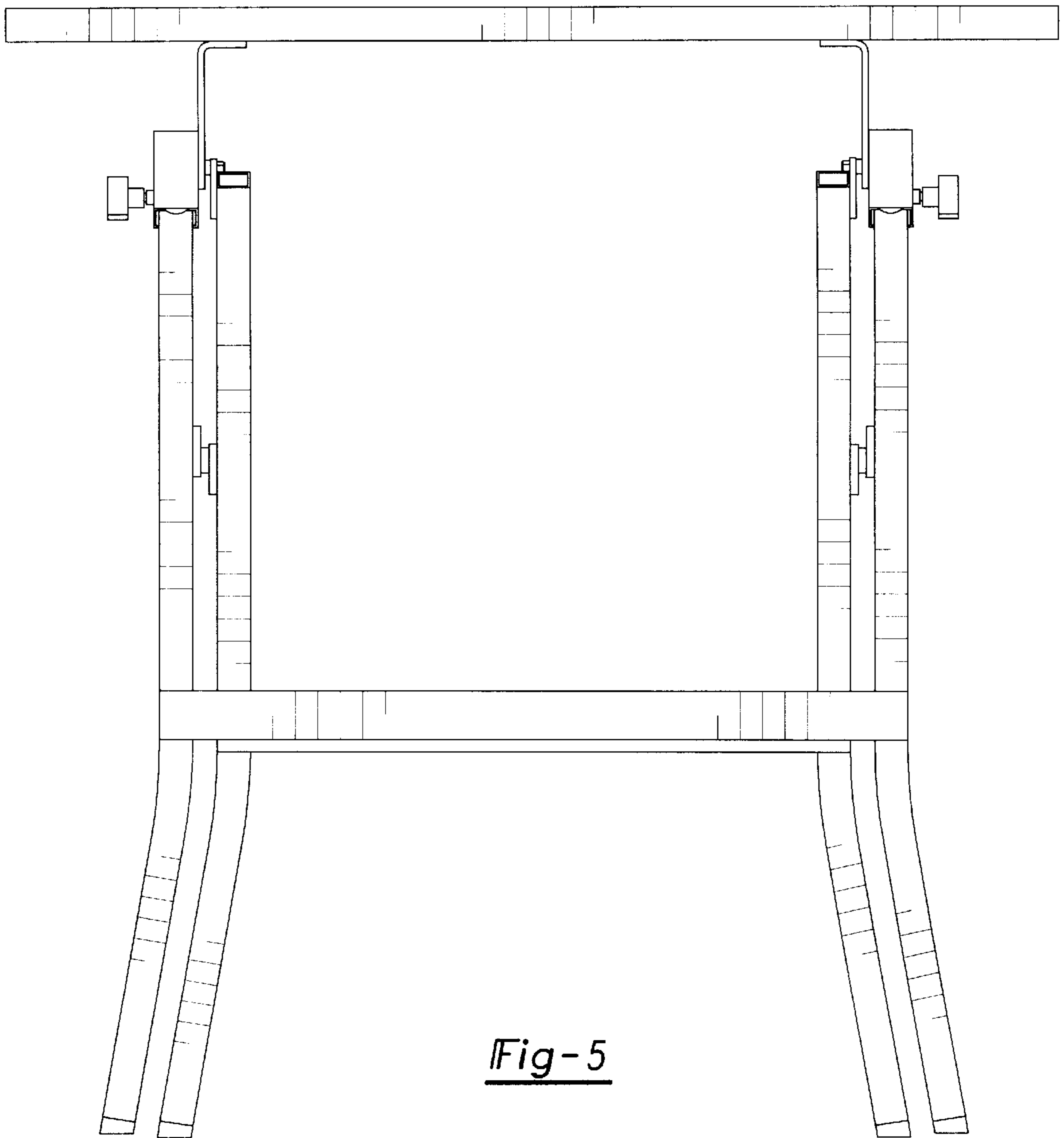


Fig-5

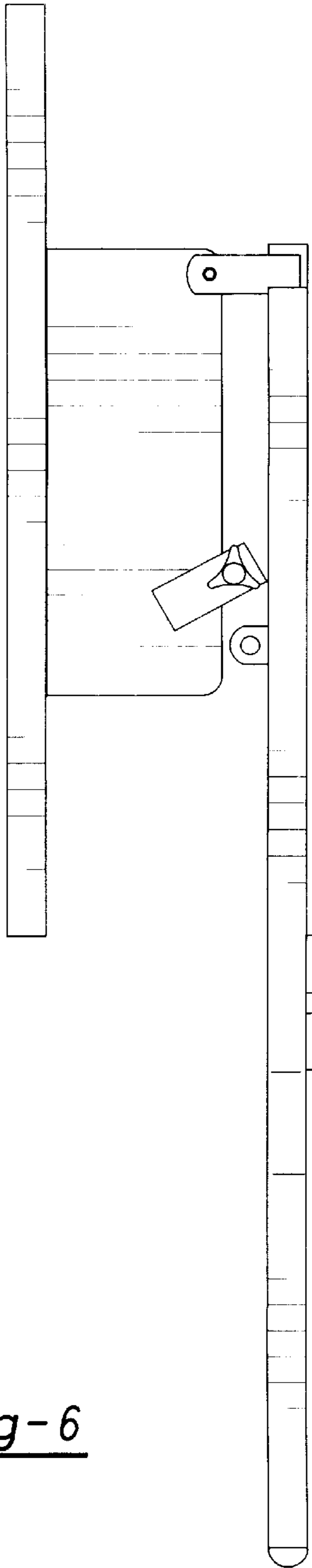


Fig-6

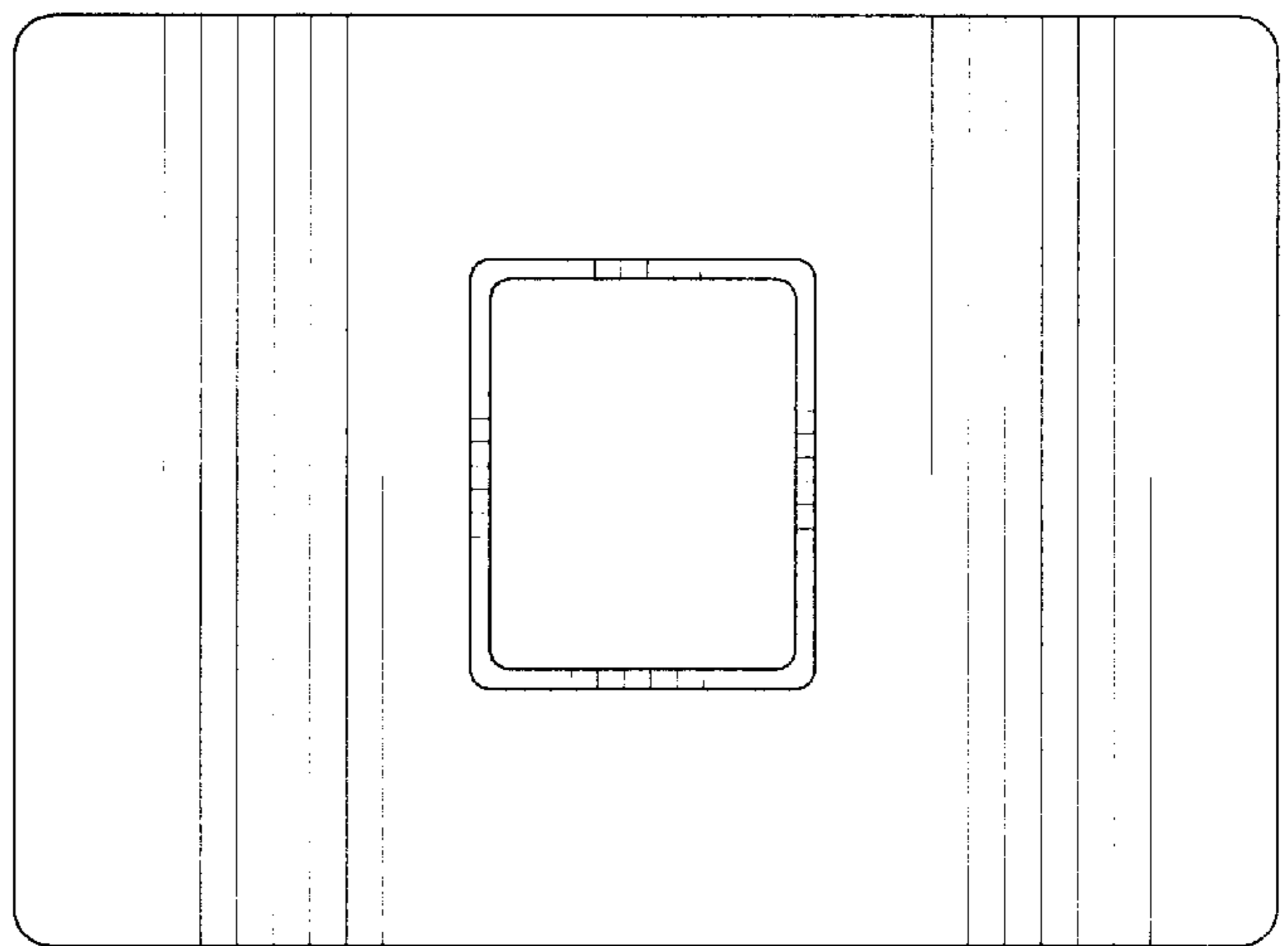


Fig-7