



US00D432808S

**United States Patent** [19]  
**Binder et al.**

[11] **Patent Number: Des. 432,808**

[45] **Date of Patent: \*\* Oct. 31, 2000**

[54] **SOFA**  
[75] **Inventors: Adele H. Binder; Brad M. Hunter,**  
both of Los Angeles, Calif.  
[73] **Assignee: L.A. Haute Inc.,** Los Angeles, Calif.  
[\*\*] **Term: 14 Years**

D. 266,973 11/1982 Wilder ..... D6/381  
D. 267,134 12/1982 Nelson ..... D6/381  
D. 277,240 1/1985 Dunbar et al. .... D6/381  
D. 360,999 8/1995 Lowman ..... D6/381  
D. 372,808 8/1996 Natuzzi et al. .... D6/381

*Primary Examiner*—Gary D. Watson  
*Attorney, Agent, or Firm*—Marshall, O’Toole, Gerstein,  
Murray & Borun

[21] **Appl. No.: 29/109,685**  
[22] **Filed: Aug. 19, 1999**

[57] **CLAIM**

The ornamental design for a sofa, as shown.

[51] **LOC (7) Cl. .... 06-01**  
[52] **U.S. Cl. .... D6/381**  
[58] **Field of Search .... D6/334, 335, 364,**  
D6/371, 373, 381, 500, 501, 502; 5/12.1;  
297/232

**DESCRIPTION**

FIG. 1 is a perspective view of a sofa in accordance with the present invention;  
FIG. 2 is a front view of the sofa of FIG. 1;  
FIG. 3 is a left-side view of the sofa;  
FIG. 4 is a back view of the sofa;  
FIG. 5 is a right-side view of the sofa; and,  
FIG. 6 is a top view of the sofa.

[56] **References Cited**  
**U.S. PATENT DOCUMENTS**

D. 172,812 8/1954 Spound ..... D6/381  
D. 260,582 9/1981 Lüthy ..... D6/381

**1 Claim, 2 Drawing Sheets**

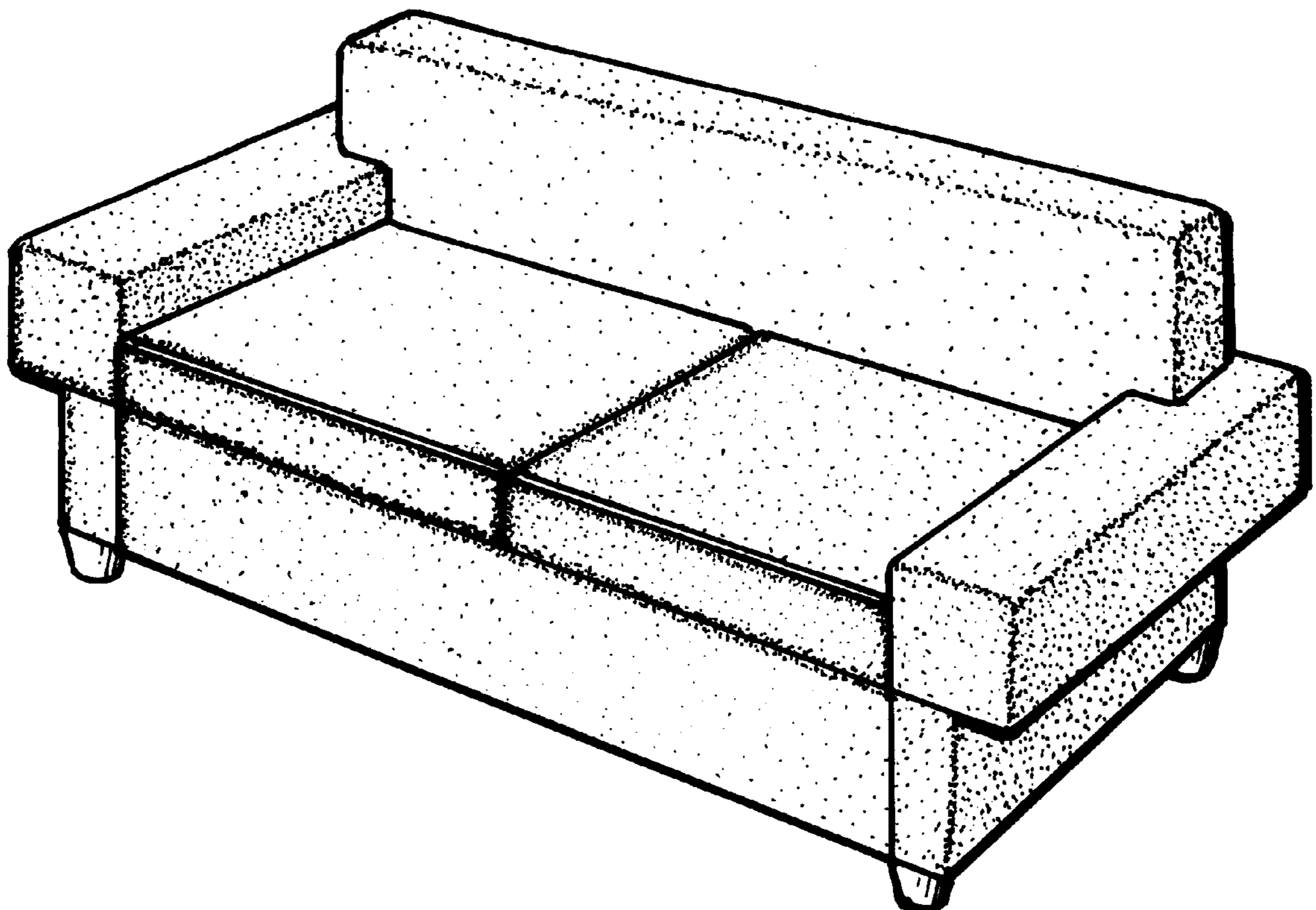


FIG. 1

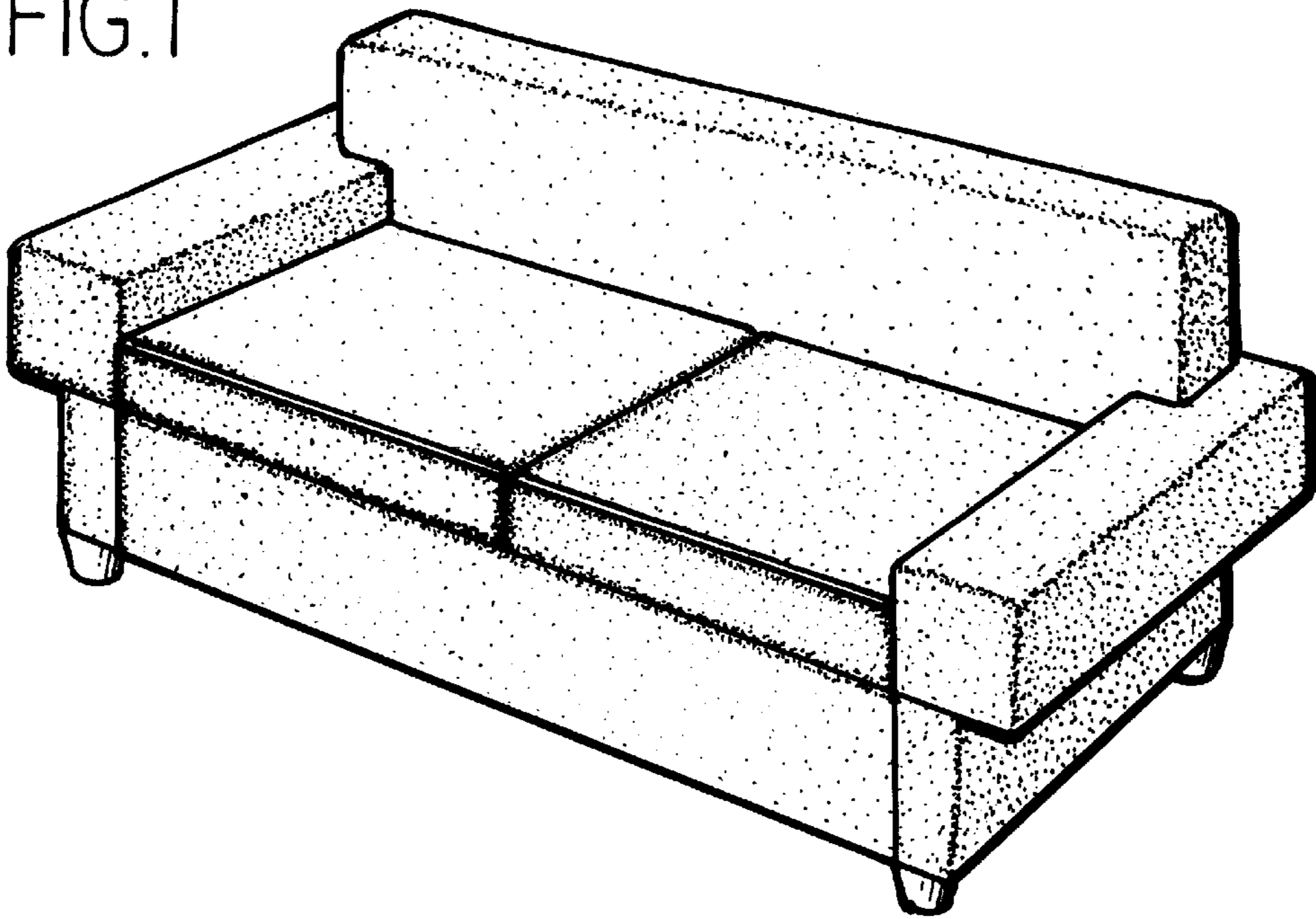


FIG. 2

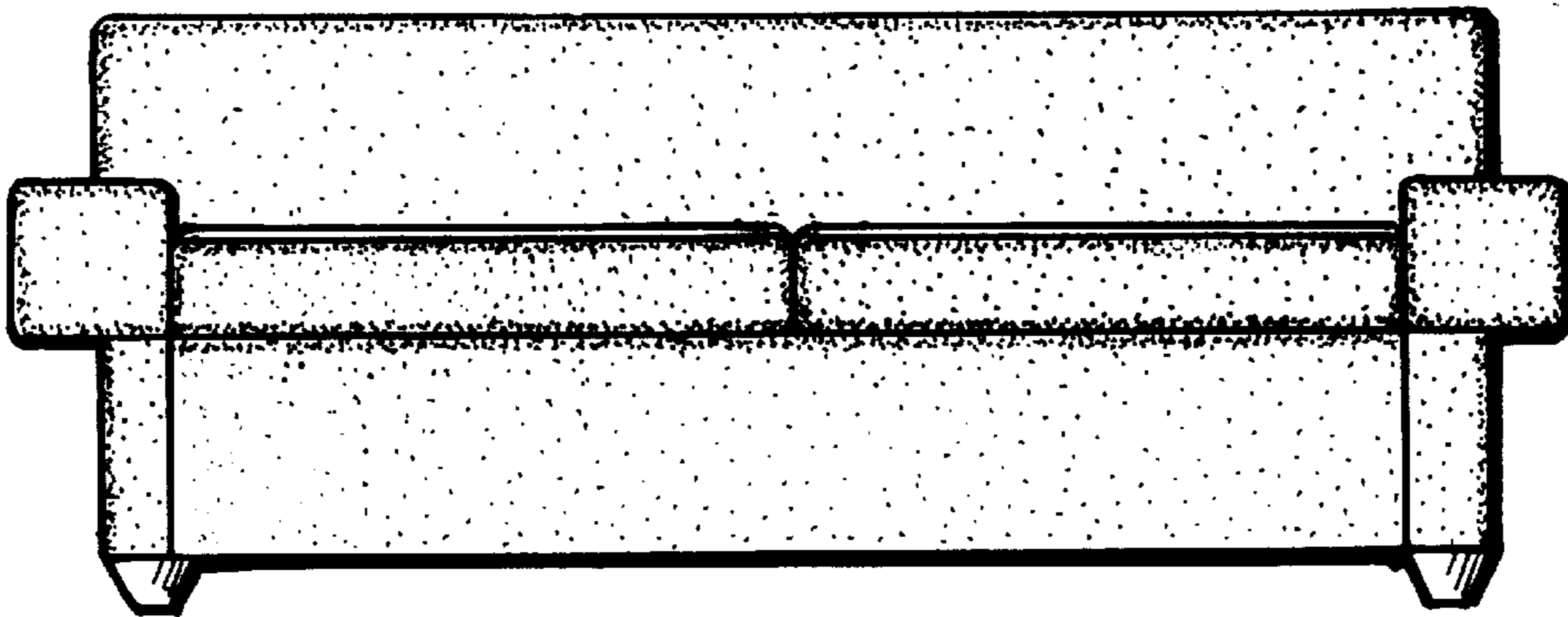


FIG. 3

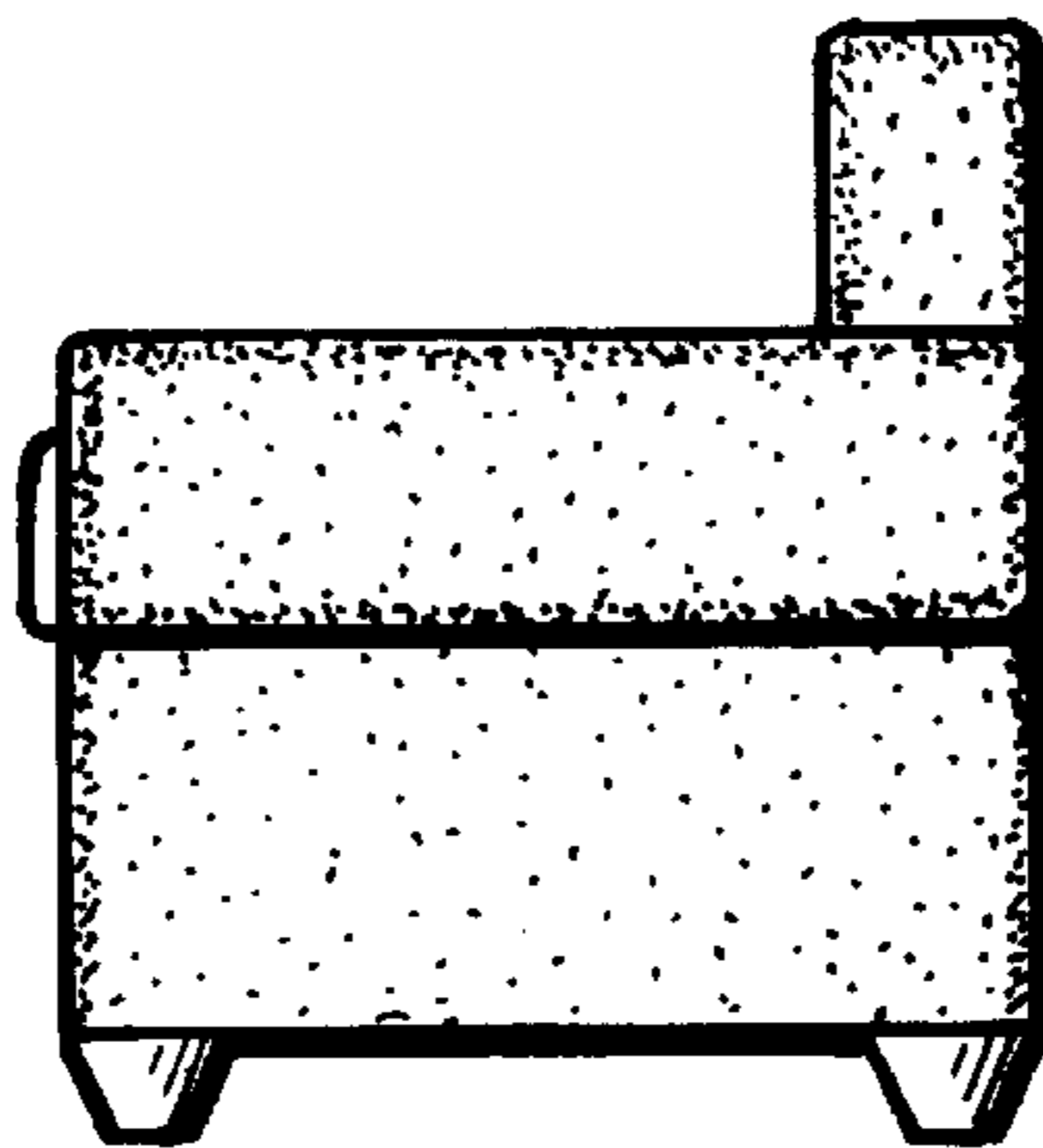


FIG. 4

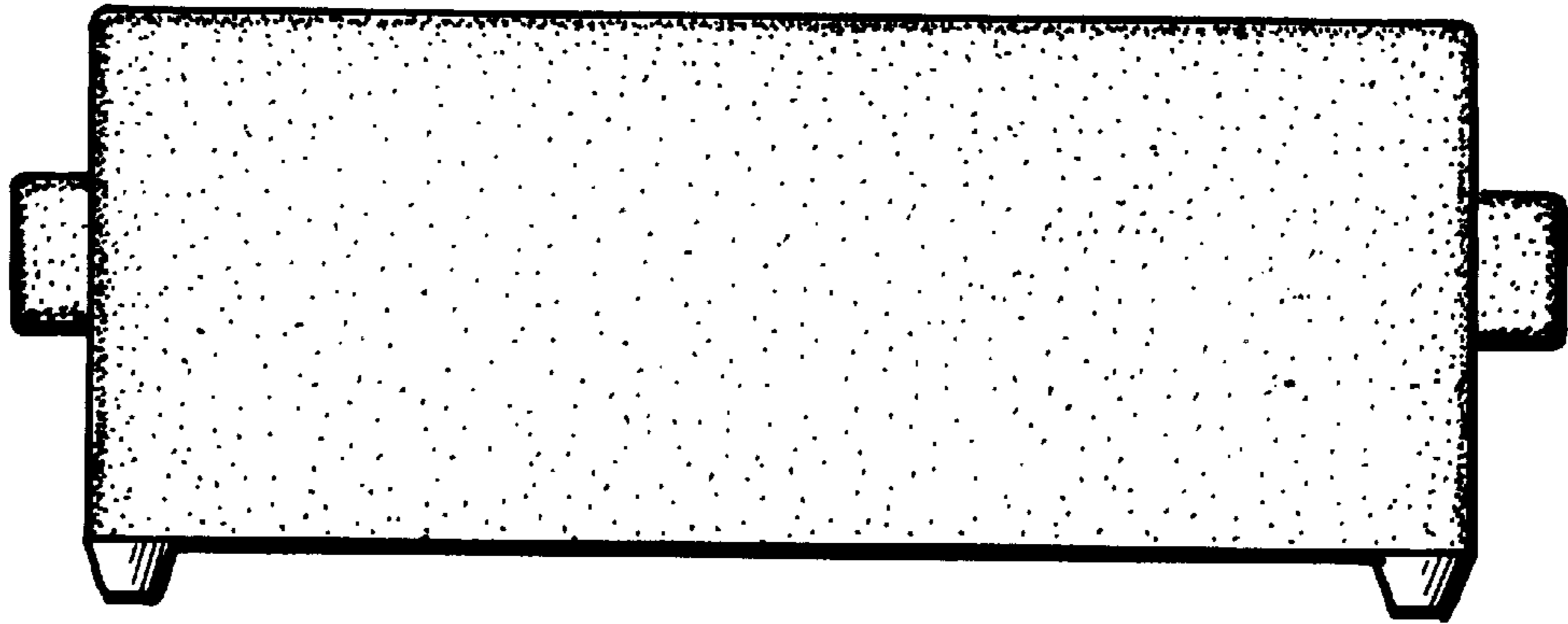


FIG. 5

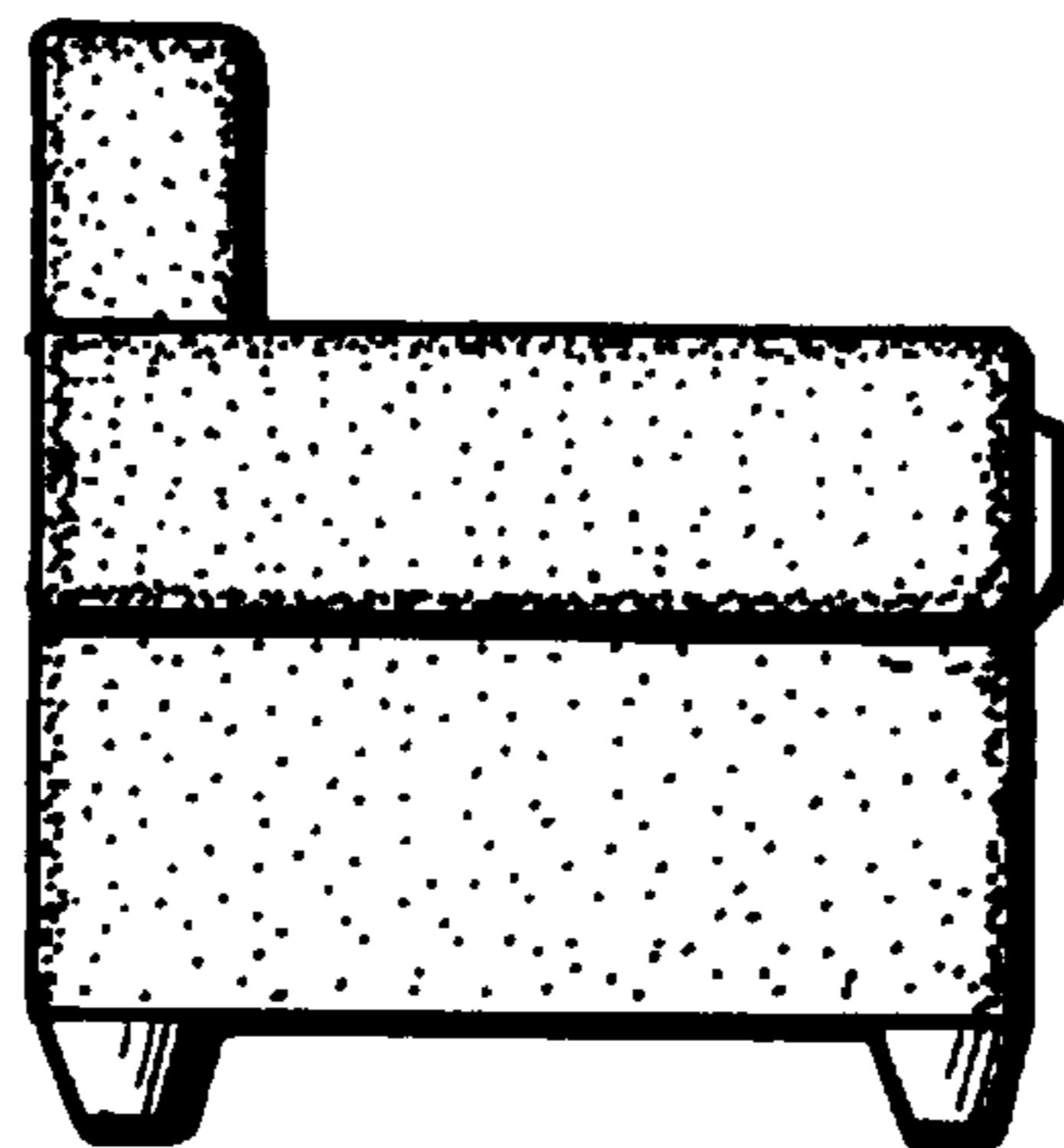


FIG. 6

