



US00D432807S

# United States Patent [19] Gollinucci

[11] **Patent Number: Des. 432,807**

[45] **Date of Patent: \*\* Oct. 31, 2000**

[54] **SEAT**

[75] Inventor: **Daniele Gollinucci**, Cesena, Italy

[73] Assignee: **Rexsitt Italia S.r.l.**, Bertinoro, Italy

[\*\*] Term: **14 Years**

[21] Appl. No.: **29/108,597**

[22] Filed: **Jul. 30, 1999**

### [30] Foreign Application Priority Data

Feb. 2, 1999 [IT] Italy ..... FO990001

[51] **LOC (7) Cl.** ..... **06-01**

[52] **U.S. Cl.** ..... **D6/381; D6/334**

[58] **Field of Search** ..... D6/334, 335, 364,  
D6/371, 373, 381, 500, 501, 502; 297/232,  
445.1

### [56] References Cited

#### U.S. PATENT DOCUMENTS

D. 283,275	4/1986	Culler	.....	D6/371
D. 313,893	1/1991	Hopfer	.....	D6/334
D. 321,797	11/1991	Paris	.....	D6/381
D. 382,129	8/1997	Lewis	.....	D6/381
D. 415,628	10/1999	Lewis	.....	D6/381

### OTHER PUBLICATIONS

Rowe catalog, p. 15, Sofa "16F" at mid-page right, 1995 2nd ed.

*Primary Examiner*—Gary D. Watson

*Attorney, Agent, or Firm*—Guido Modiano; Albert Josif; Daniel O'Byrne

### [57] CLAIM

The ornamental design for a "seat", as shown and described.

### DESCRIPTION

FIG. 1 is an enlarged perspective view of a seat, showing my new design in the form of a sofa;

FIG. 2 is a front view thereof;

FIG. 3 is a rear view thereof;

FIG. 4 is a left side view thereof, the right side being a mirror image thereof;

FIG. 5 is a view thereof, taken from above;

FIG. 6 is an enlarged perspective view of a seat, showing my new design in the form of an easy-chair;

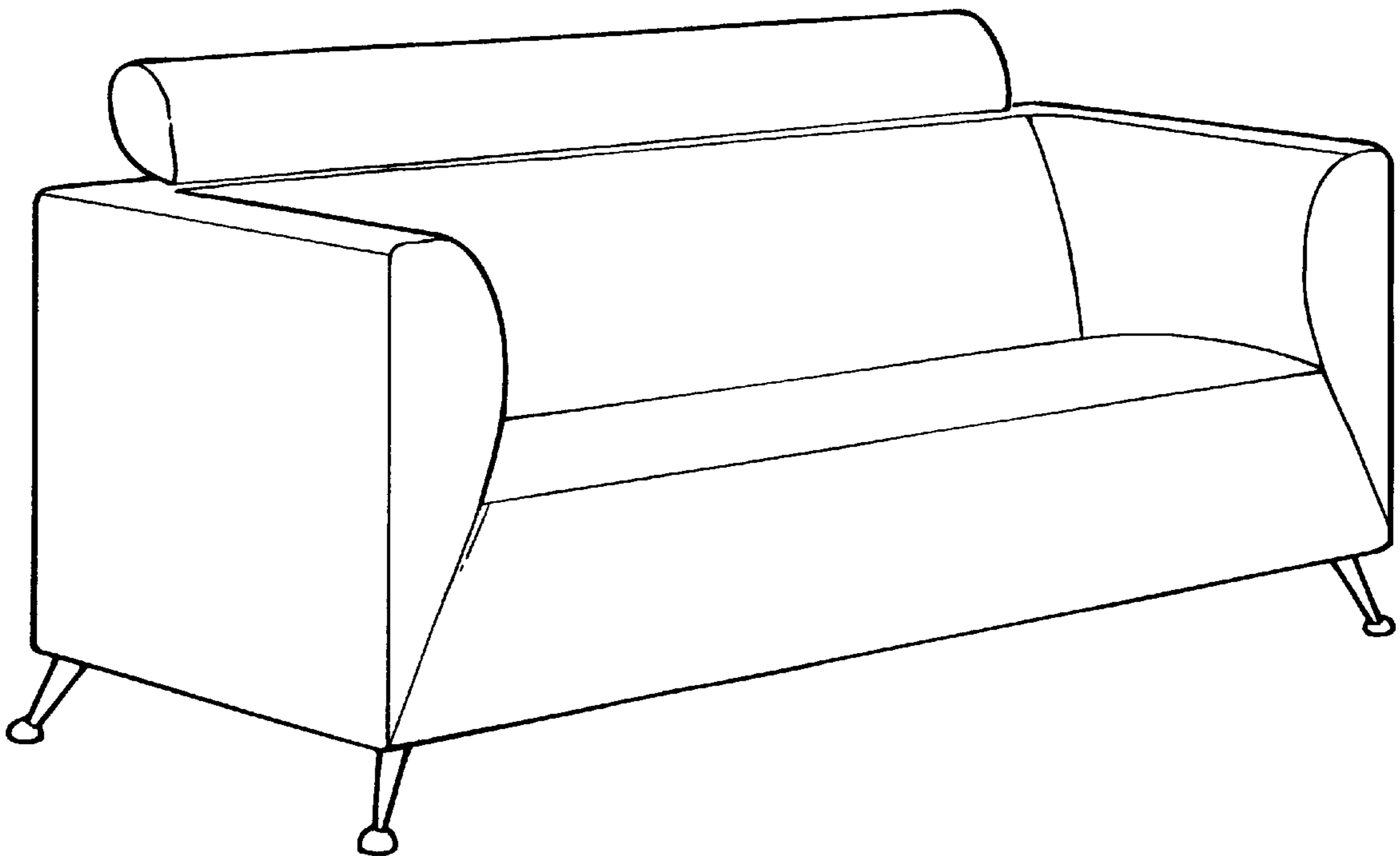
FIG. 7 is a front view thereof;

FIG. 8 is a rear view thereof;

FIG. 9 is a left side view thereof, the right side being a mirror image thereof; and,

FIG. 10 is a view thereof, taken from above;

**1 Claim, 4 Drawing Sheets**



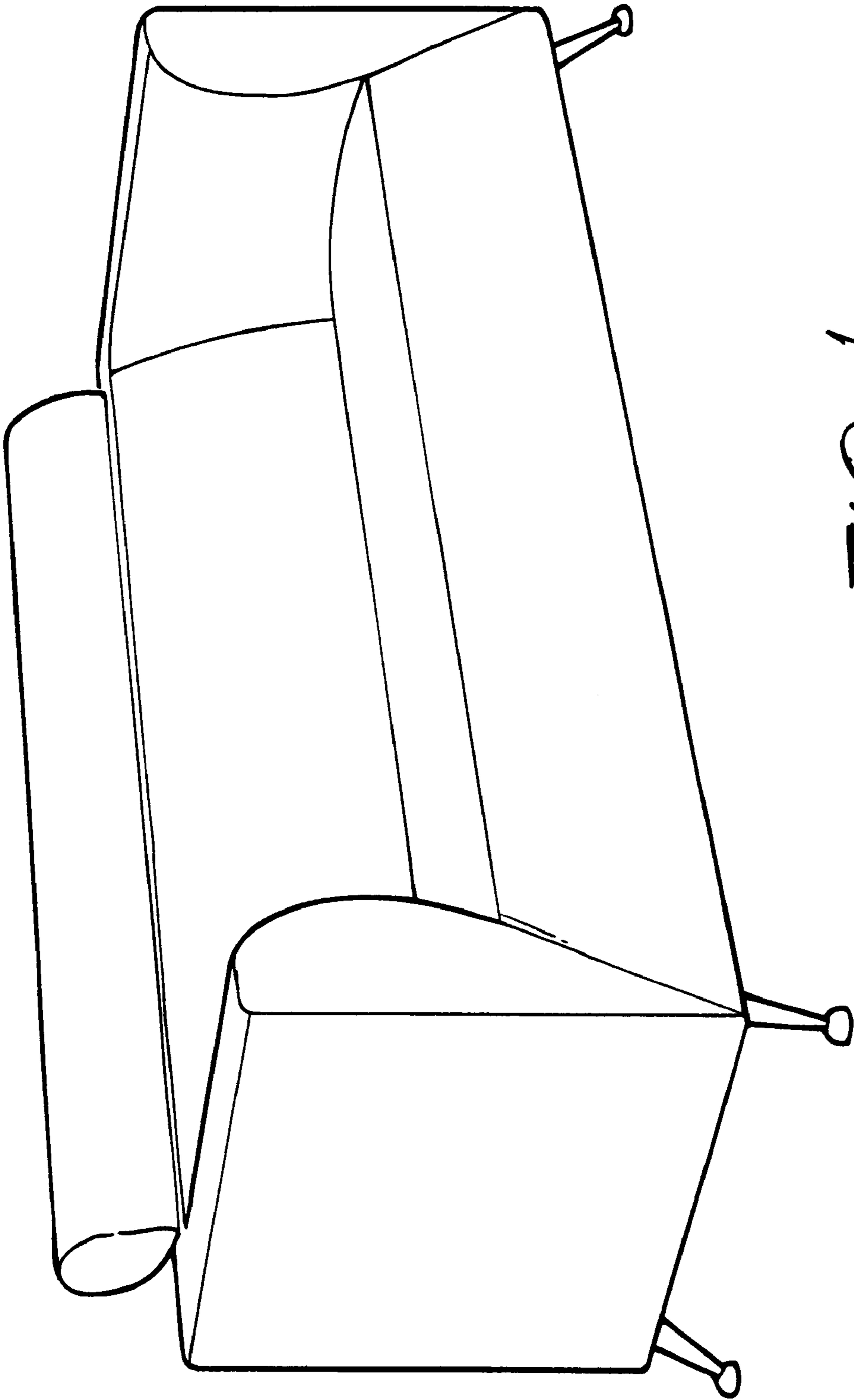


FIG. 1

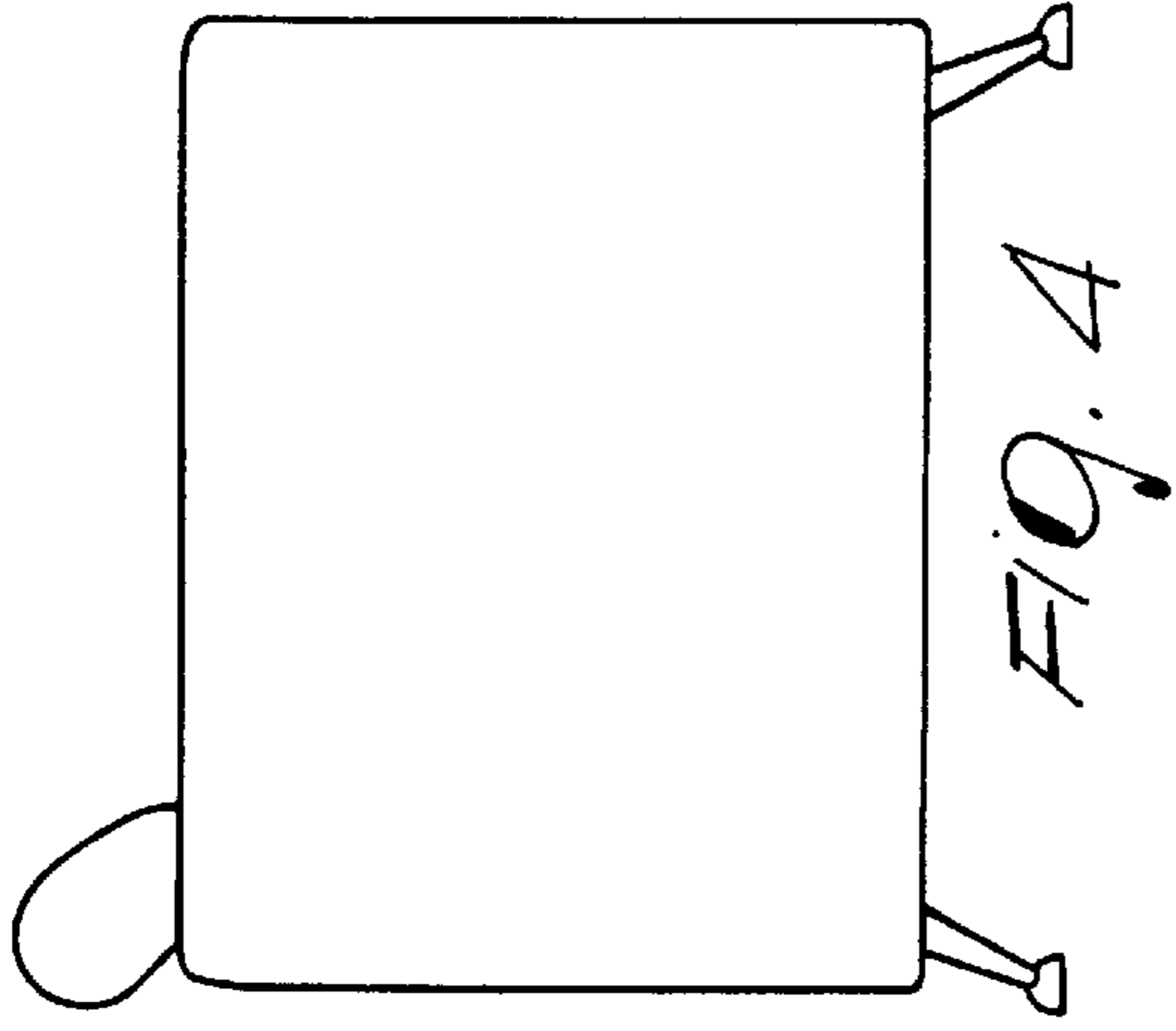


FIG. 4

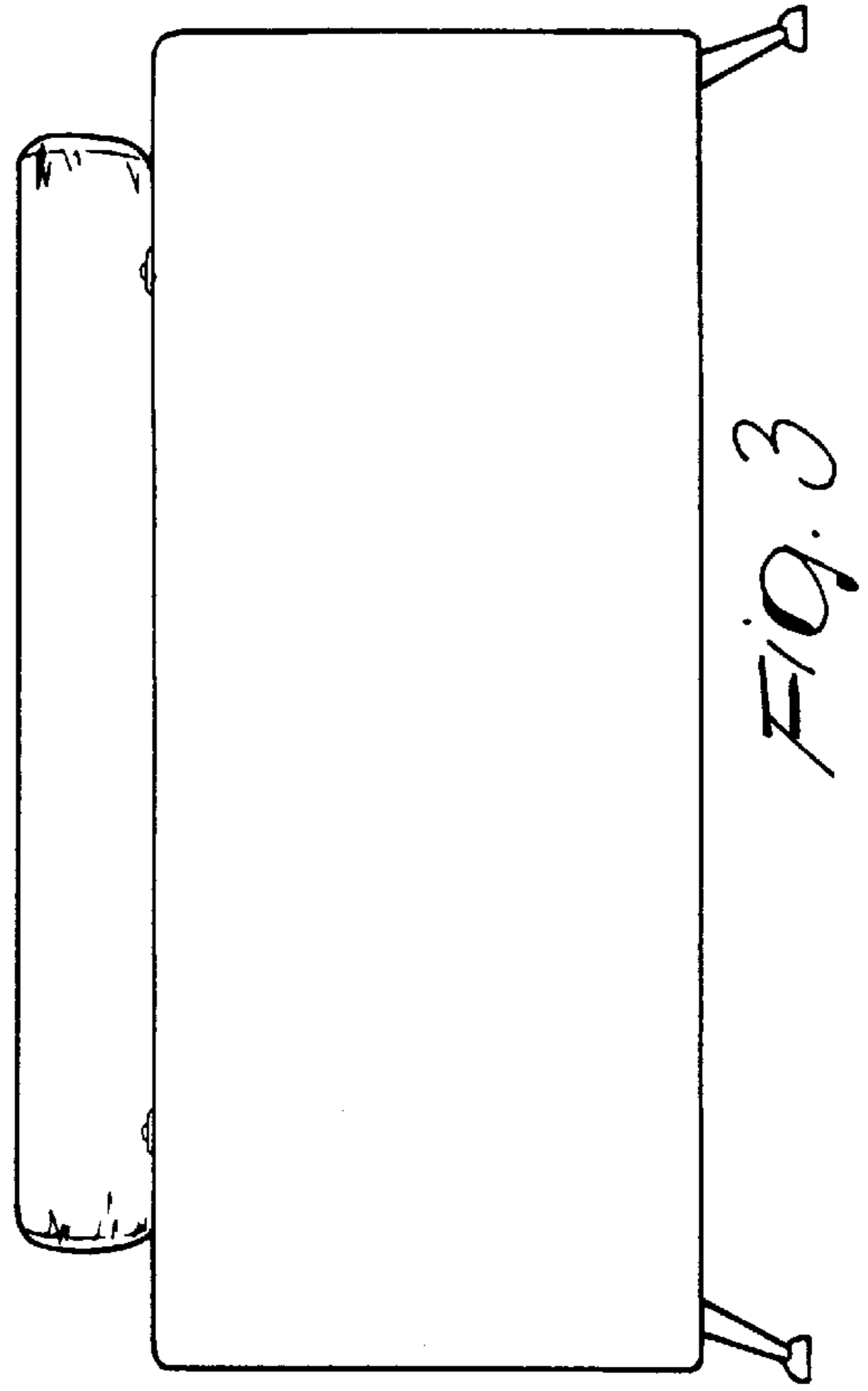


FIG. 3

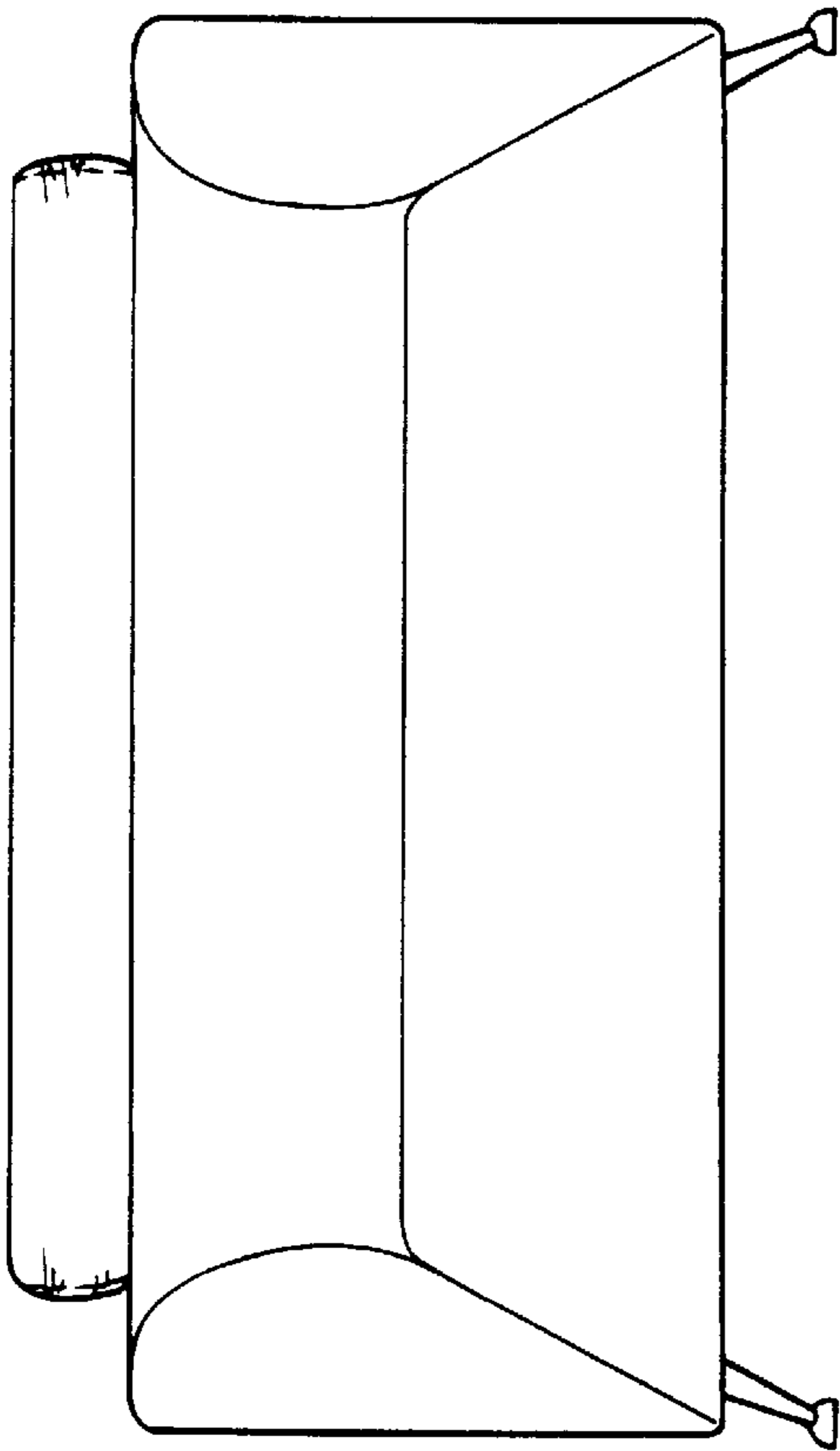


FIG. 2

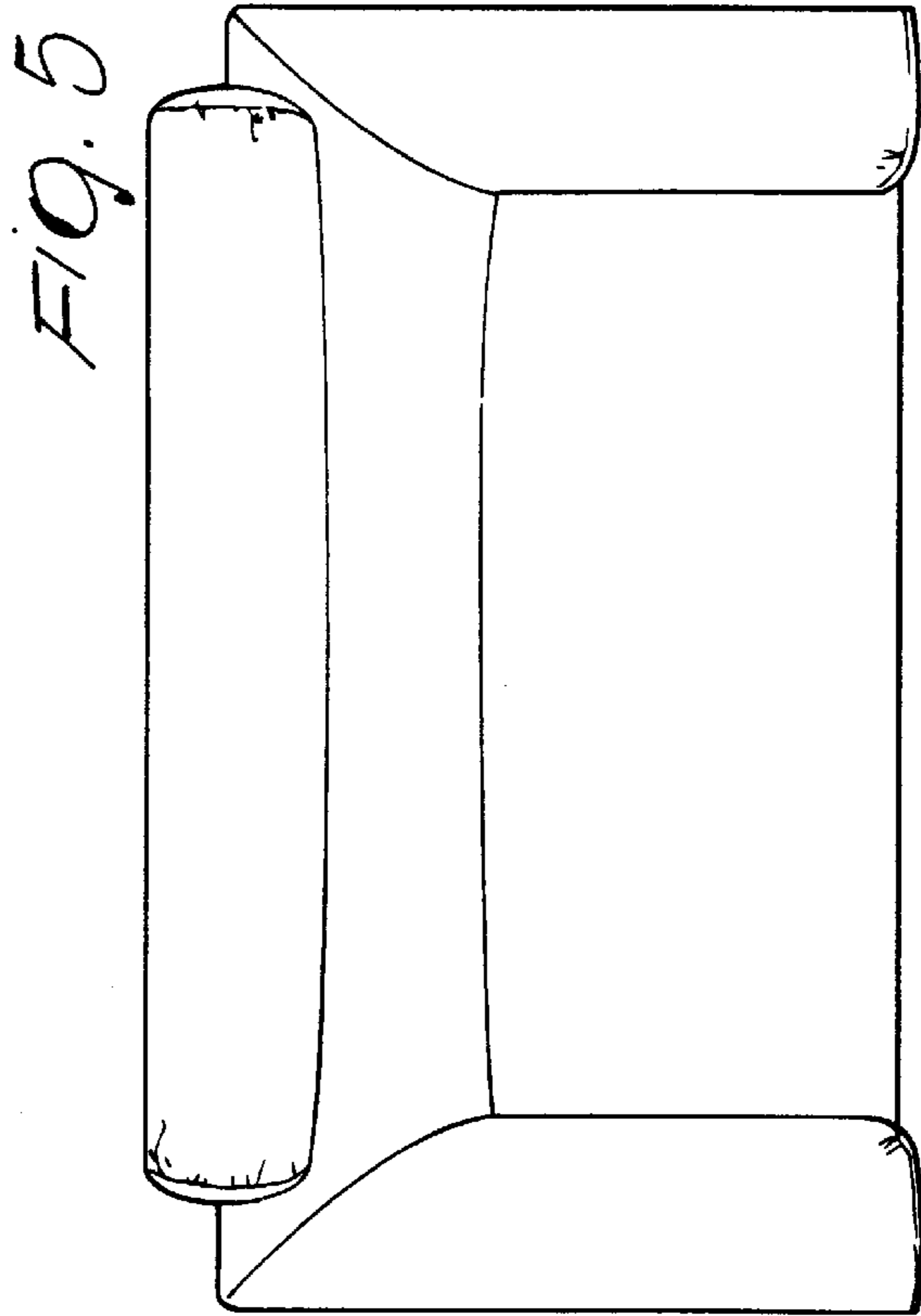


FIG. 5

FIG. 7

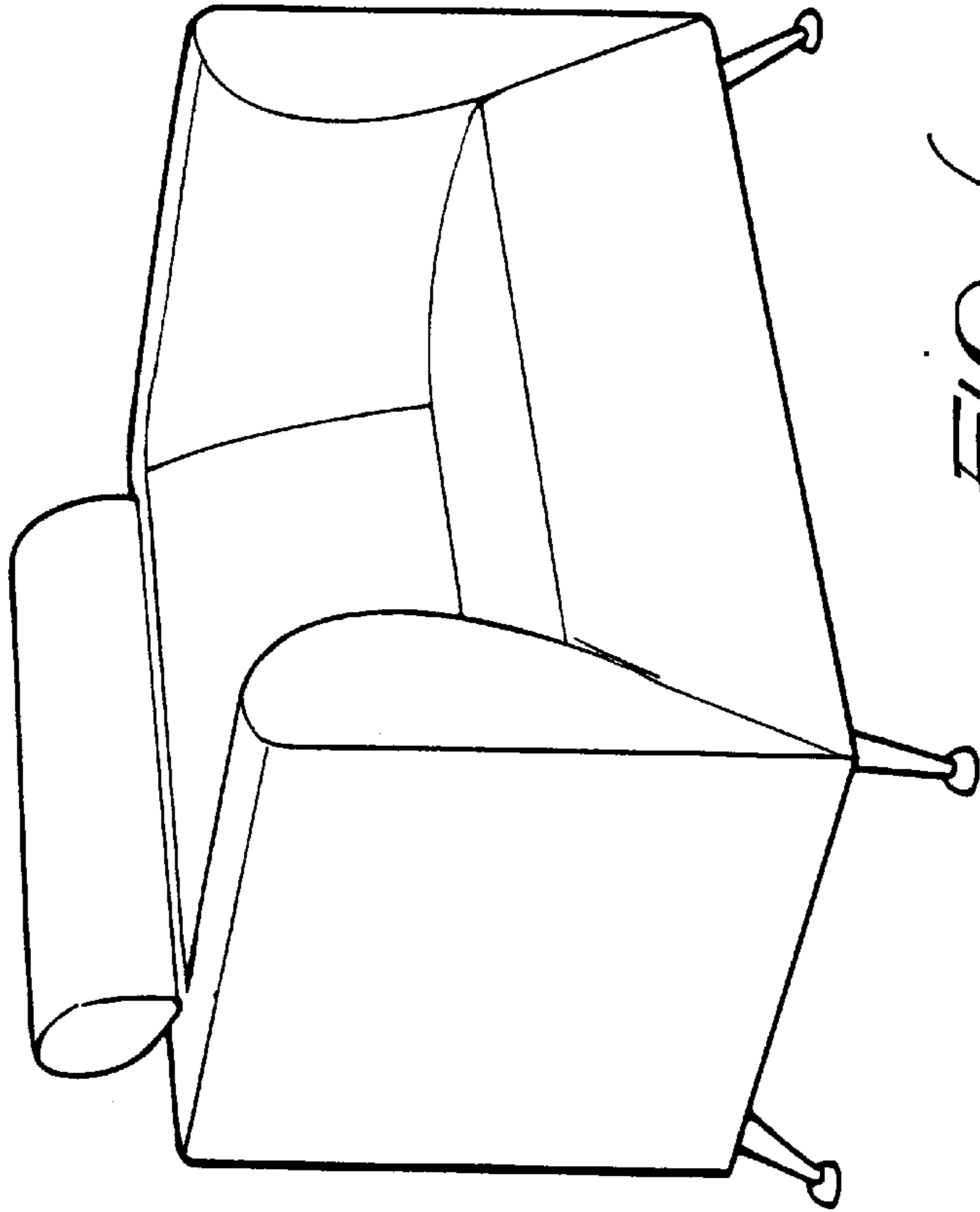
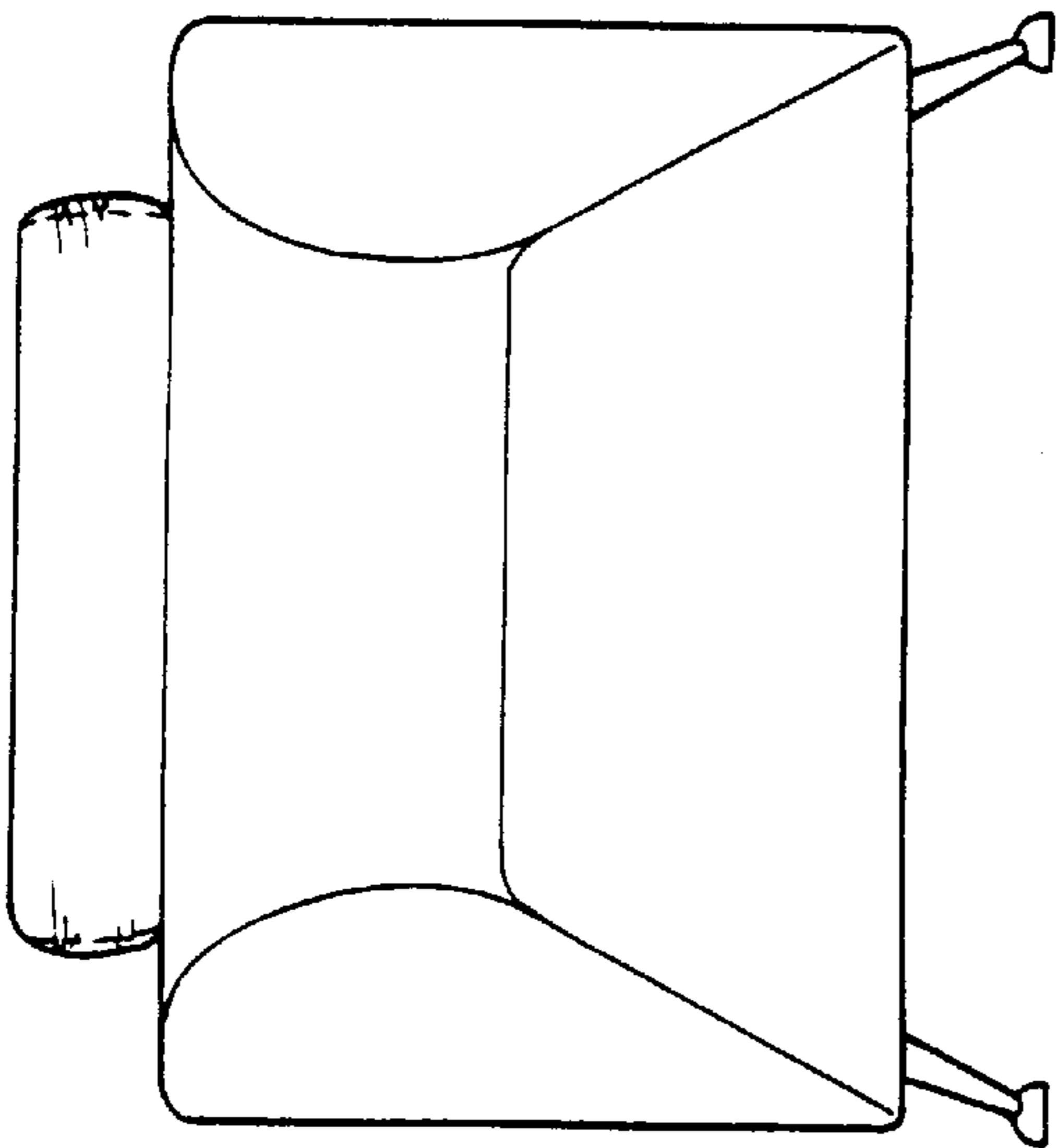
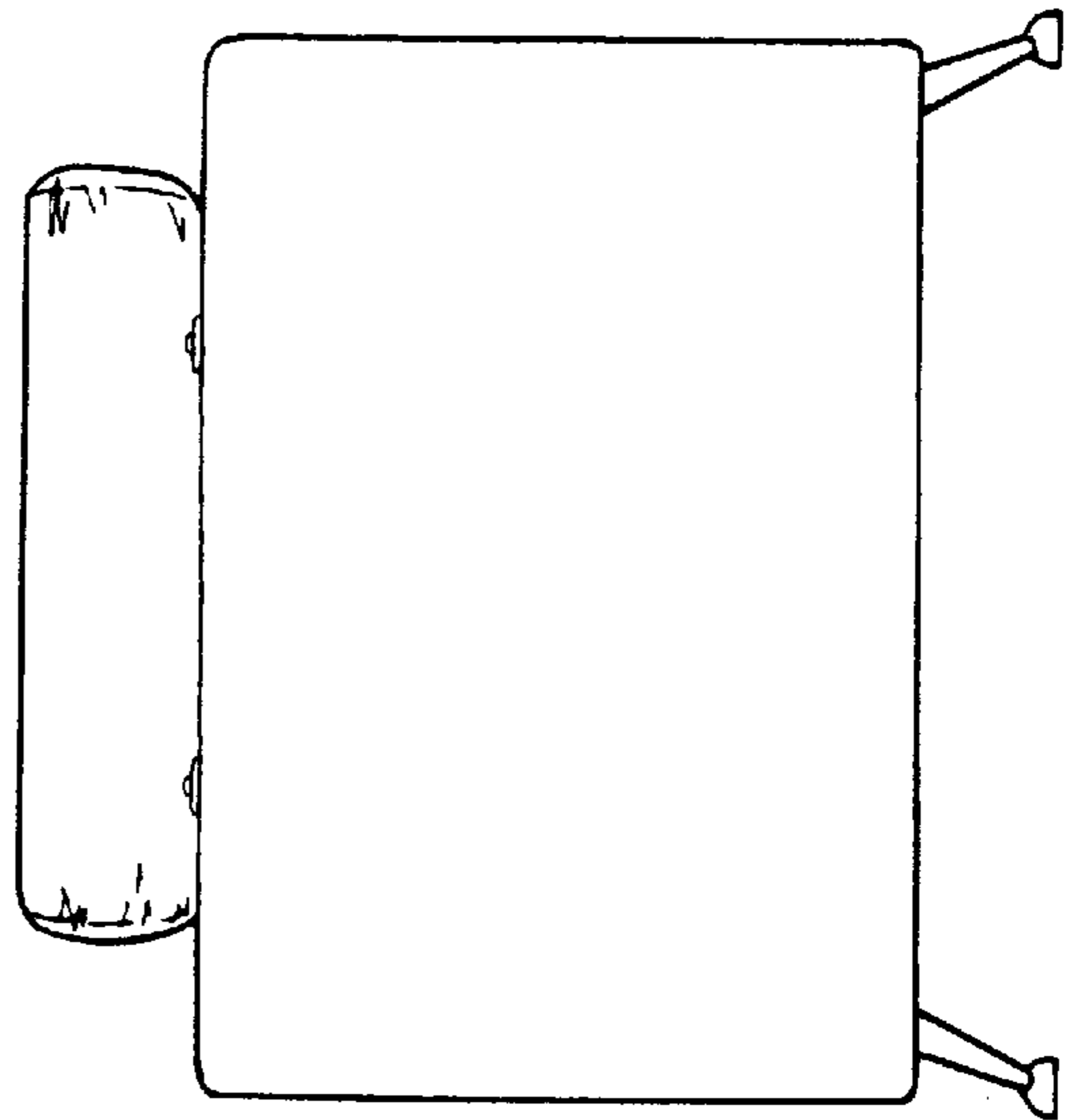


FIG. 6

FIG. 8



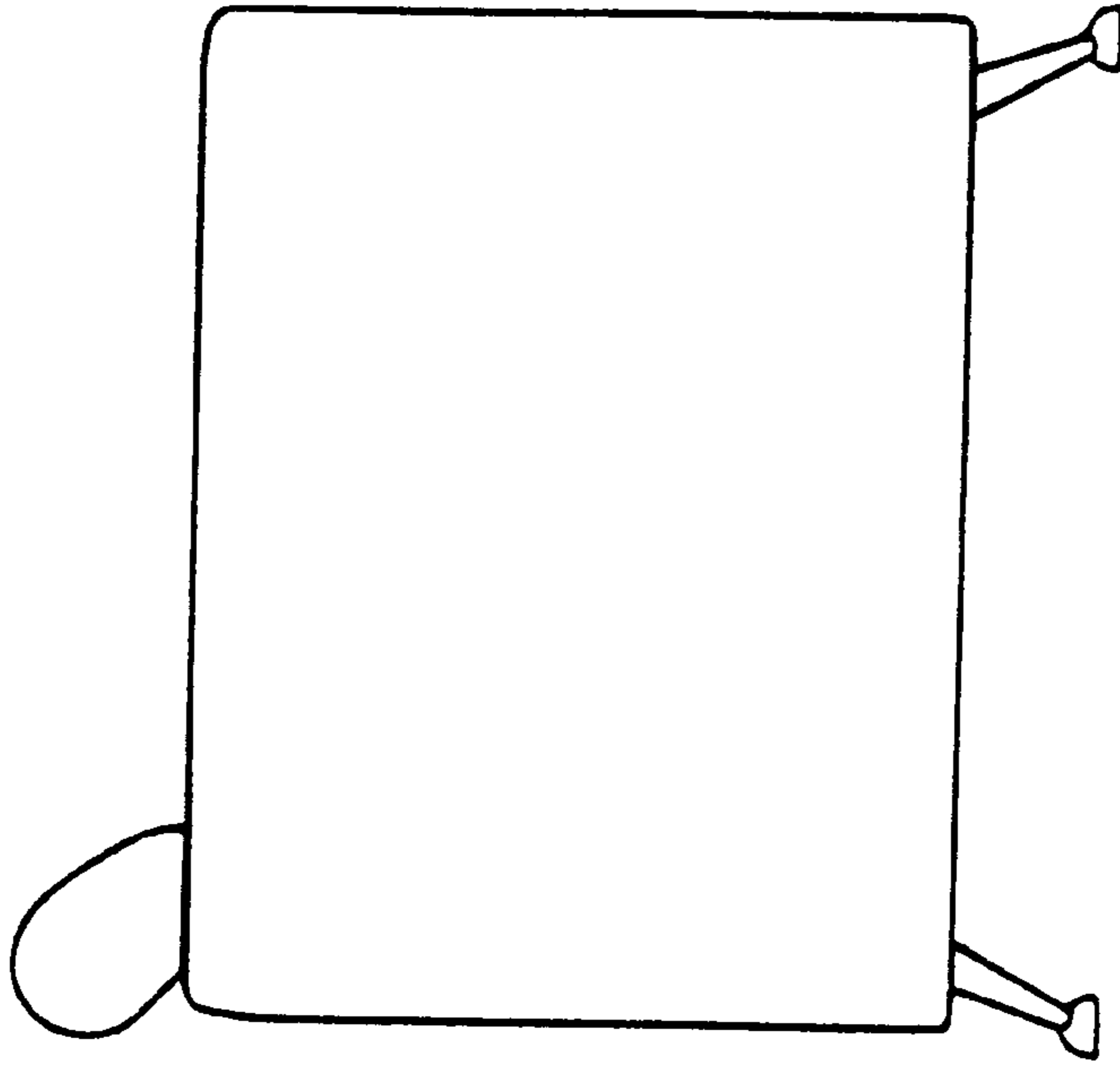


FIG. 9

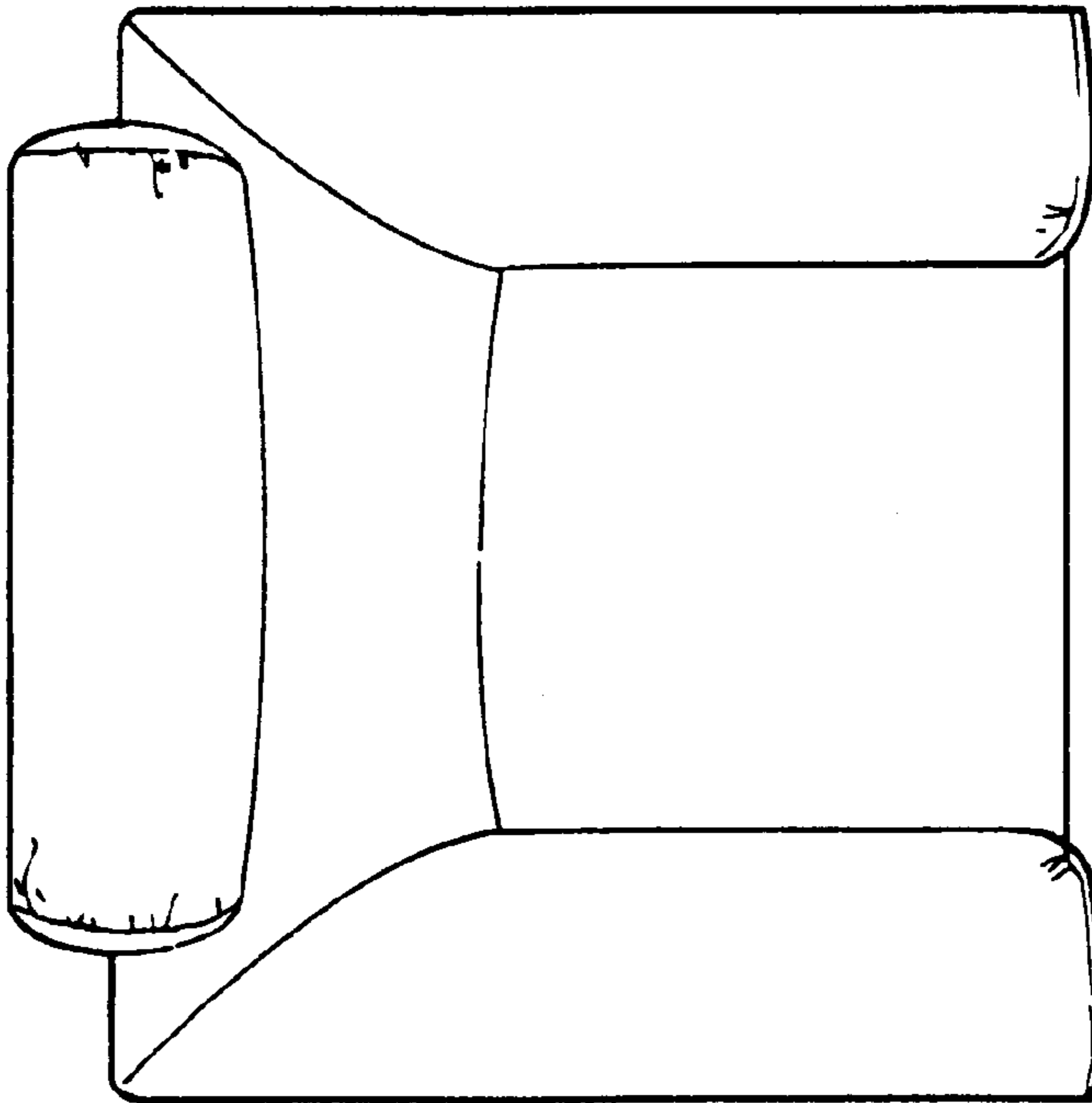


FIG. 10