

US00D432804S

United States Patent [19]
Mizelle et al.

[11] **Patent Number: Des. 432,804**
[45] **Date of Patent: ** Oct. 31, 2000**

[54] **MEDICAL RECLINING CHAIR**

[75] Inventors: **Ned W. Mizelle**, High Point; **Mort Snitzer**, Greensboro, both of N.C.

[73] Assignee: **Graham-Field, Inc.**, Bay Shore, N.Y.

[**] Term: **14 Years**

[21] Appl. No.: **29/103,708**

[22] Filed: **Apr. 20, 1999**

[51] **LOC (7) Cl.** **06-01**

[52] **U.S. Cl.** **D6/360**

[58] **Field of Search** D6/334, 335, 360,
D6/367, 379, 500, 501, 502, 381; 297/68,
83, 423.1, 423.19, 423.2

[56] **References Cited**

U.S. PATENT DOCUMENTS

D. 173,592	11/1954	Richardson	D6/360
D. 173,625	12/1954	Maurer	D6/360
D. 213,365	2/1969	Crawford	D6/360
D. 231,878	6/1974	Kellum	D6/367
D. 315,123	3/1991	Spiegel et al.	D6/335
5,007,679	4/1991	Mizelle	297/68

OTHER PUBLICATIONS

CareChair, p. 21, TEI catalog, May 1989.
3rd chair from the left, no page #, Health Care Seating
brochure, May 1992.

Primary Examiner—Doris V. Coles
Assistant Examiner—Mimosa De
Attorney, Agent, or Firm—Bauer & Schaffer, LLP

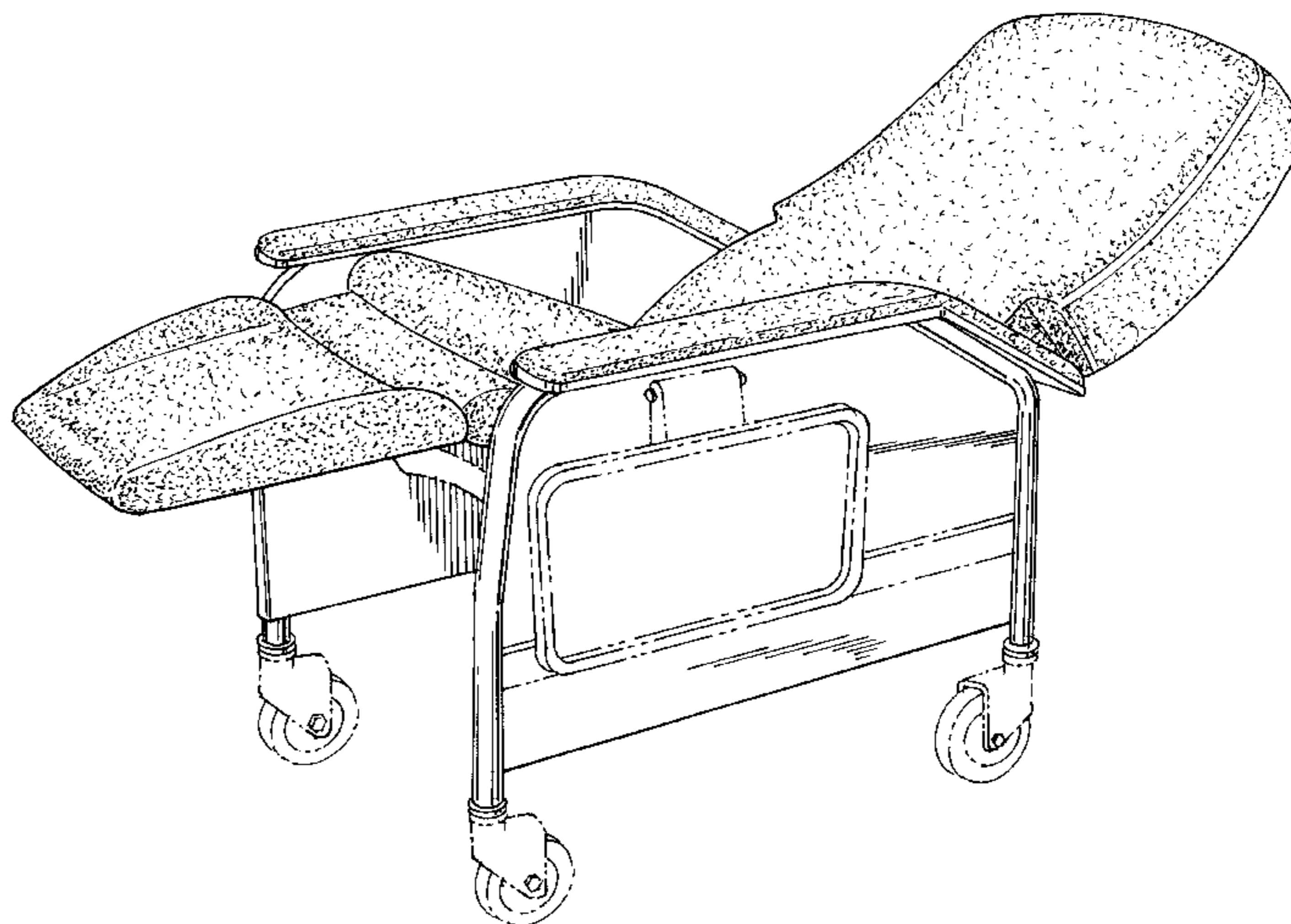
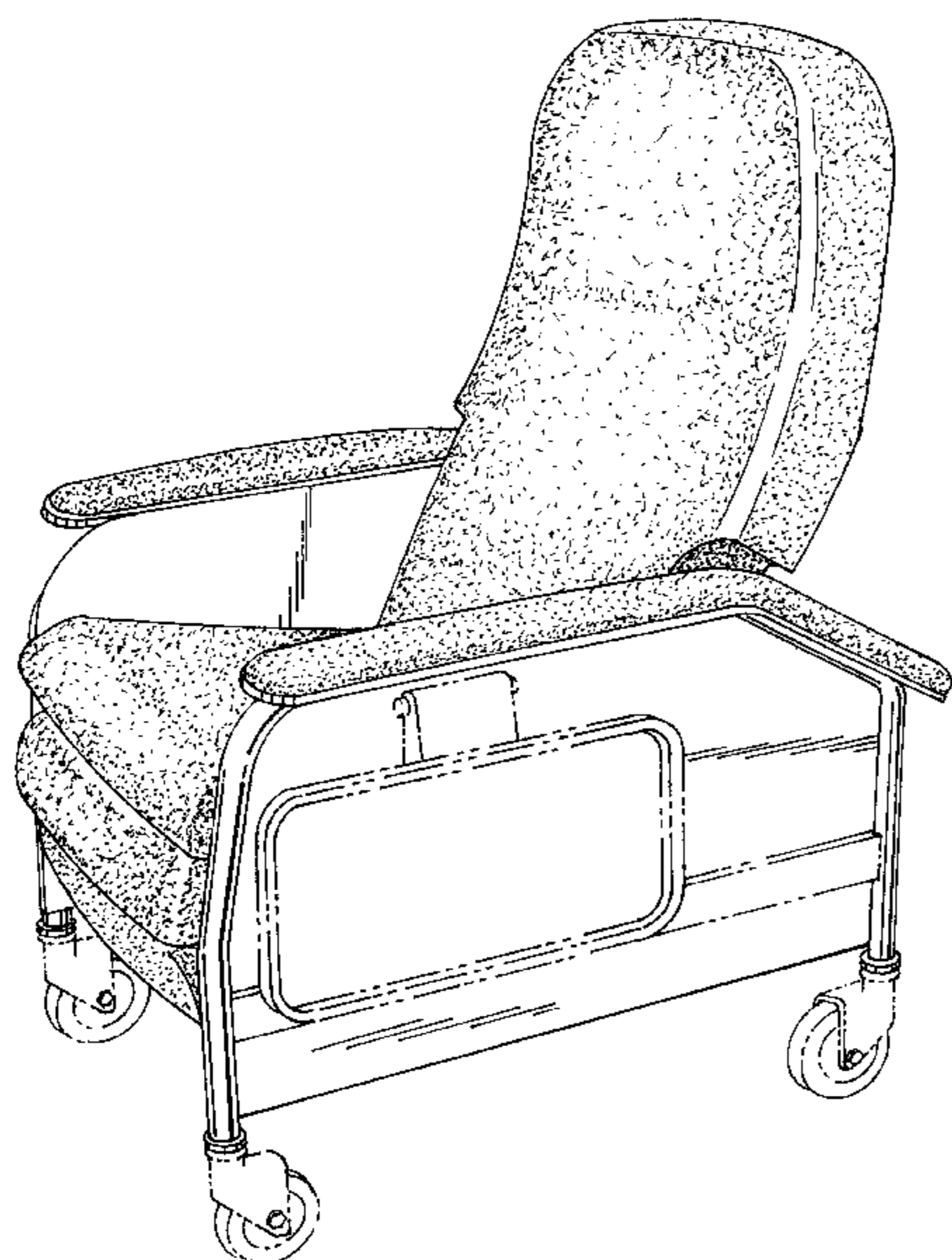
[57] **CLAIM**

The ornamental design for a medical reclining chair, as shown.

DESCRIPTION

FIG. 1 is a perspective view of a medical reclining chair according to the present invention, showing the chair in the upright position;
FIG. 2 is a front elevation view of the reclining chair in FIG. 1;
FIG. 3 is a side elevation view of the reclining chair in FIG. 1;
FIG. 4 is rear elevation view of the reclining chair in FIG. 1;
FIG. 5 is a top elevation view of the reclining chair in FIG. 1;
FIG. 6 is a bottom elevation view of the reclining chair in FIG. 1;
FIG. 7 is a perspective view of the reclining chair in FIG. 1, showing the chair in the reclined position; and,
FIG. 8 is a perspective view of the reclining chair in FIG. 1 showing the chair in the a further reclined position.
The broken line showing of the wheels, side panels, and back frame is for illustrative purposes only and forms no part of the claimed design.

1 Claim, 8 Drawing Sheets



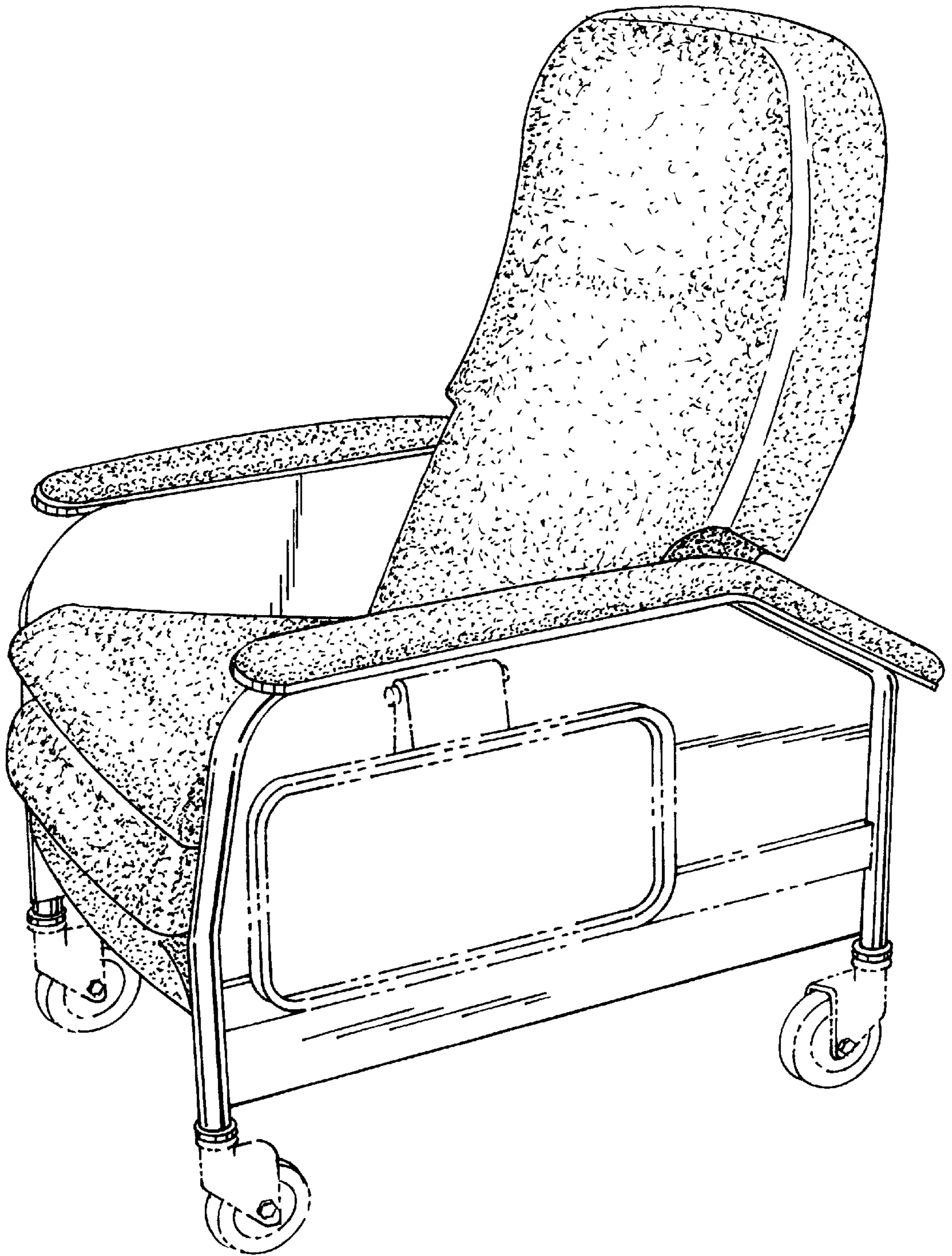


Fig. 1

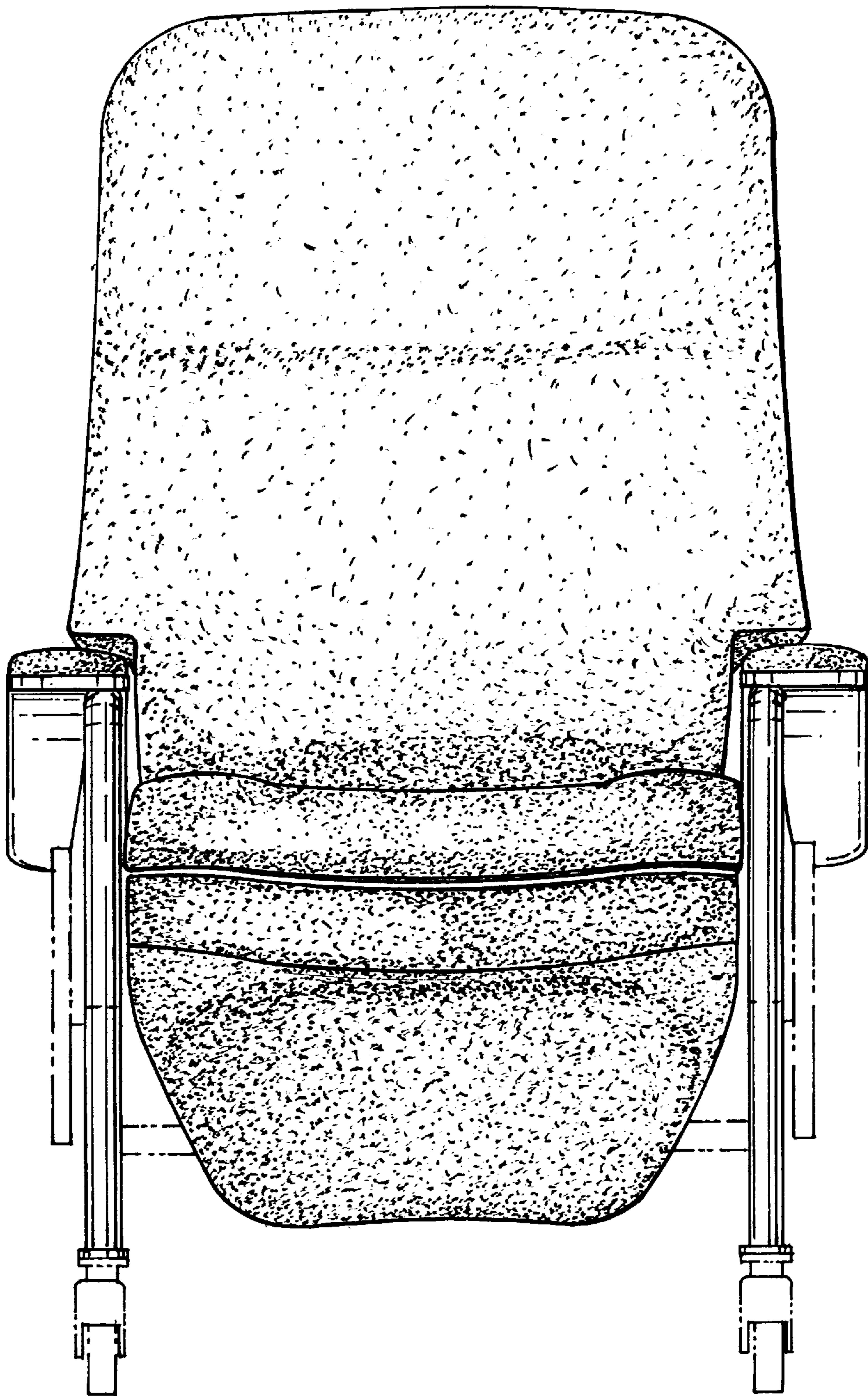


Fig. 2

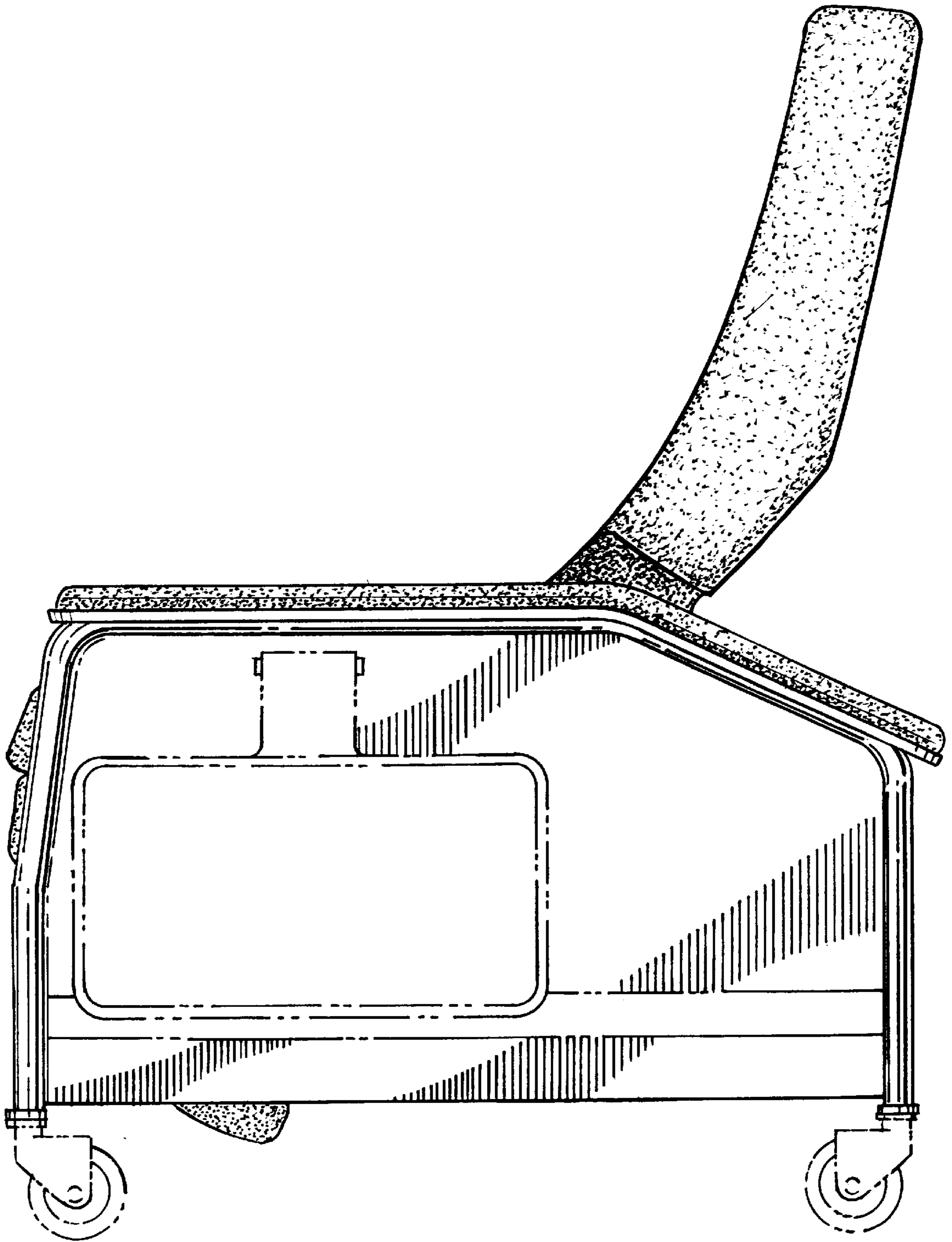


Fig. 3

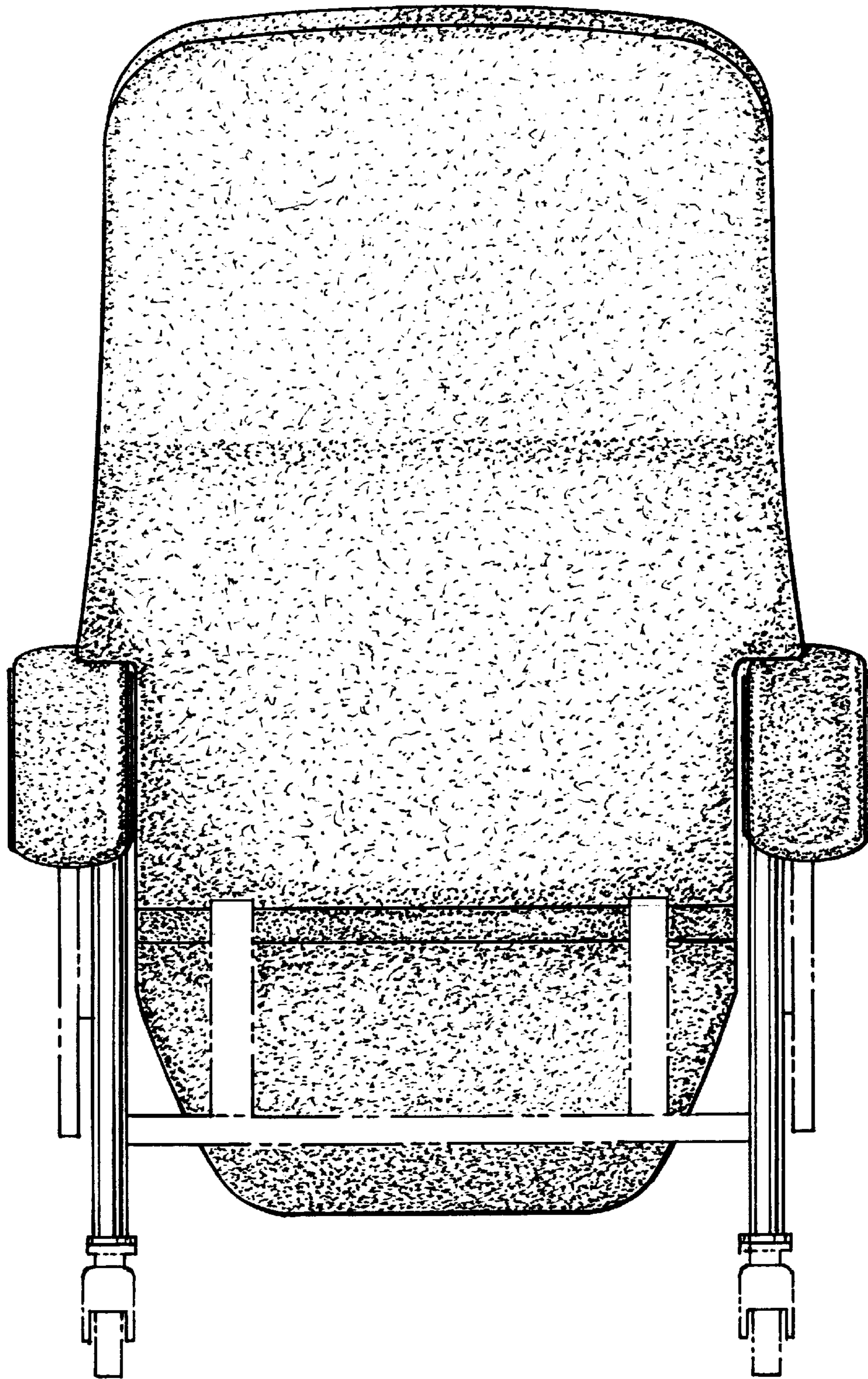
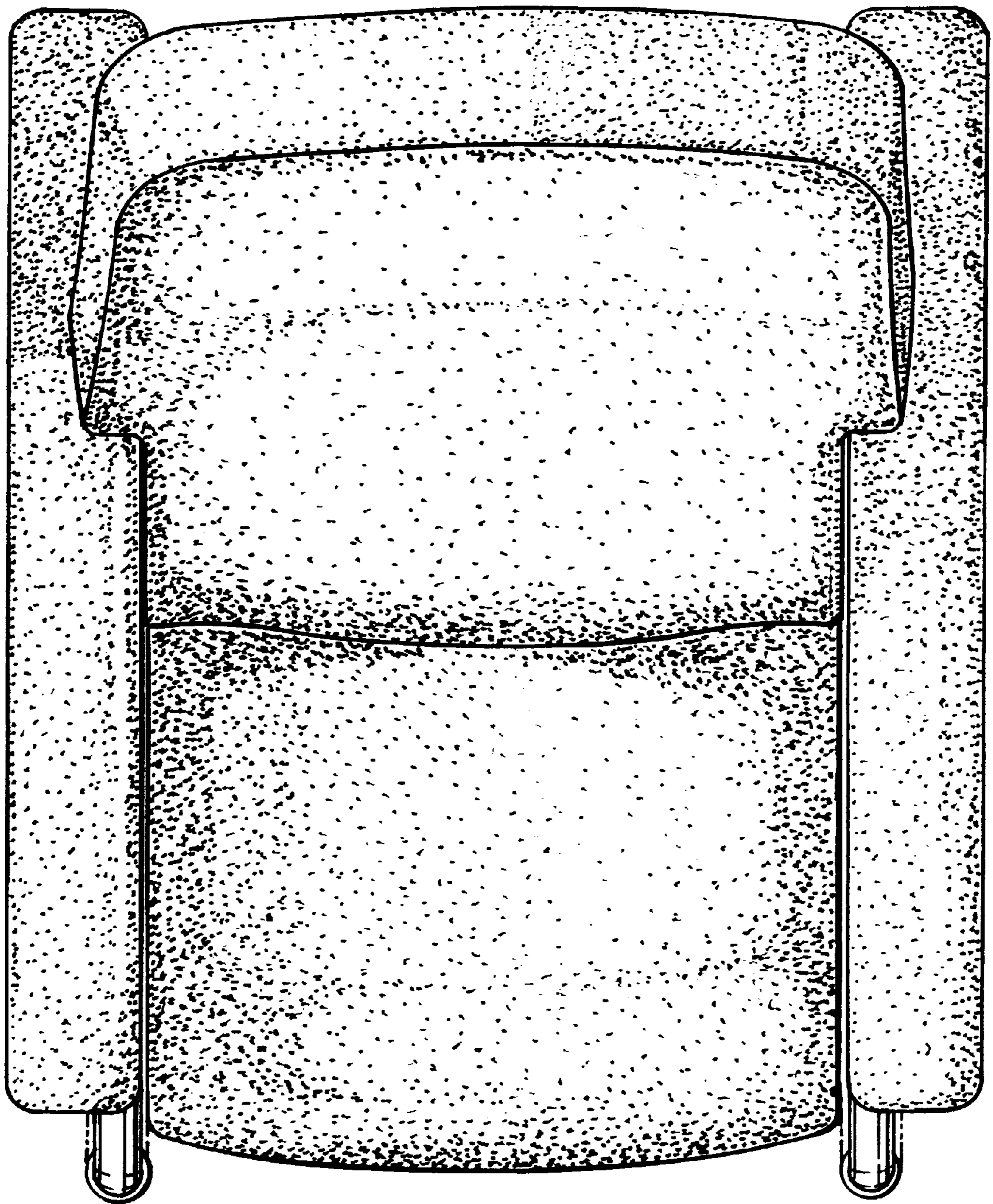


Fig. 4

Fig. 5



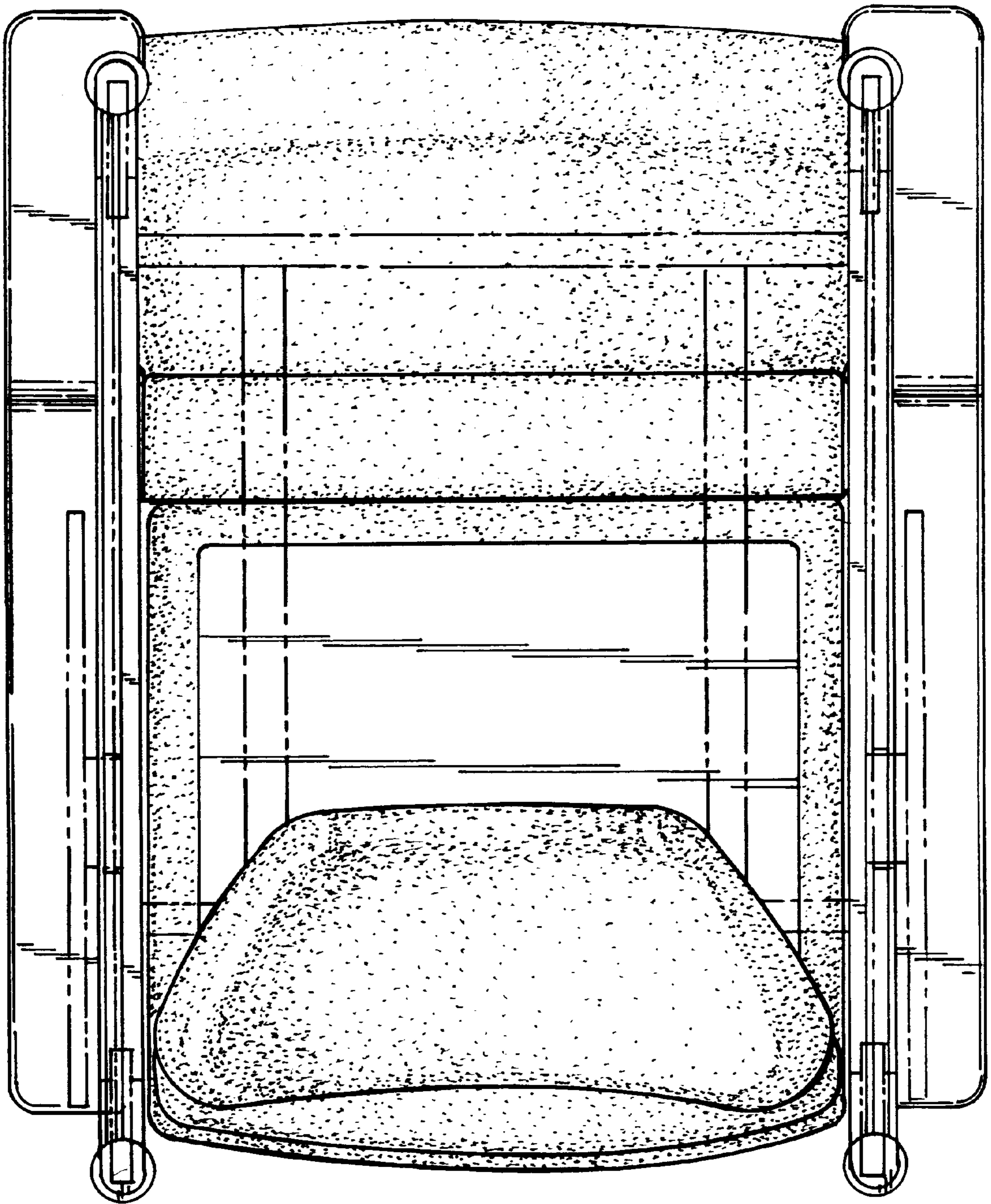


Fig. 6

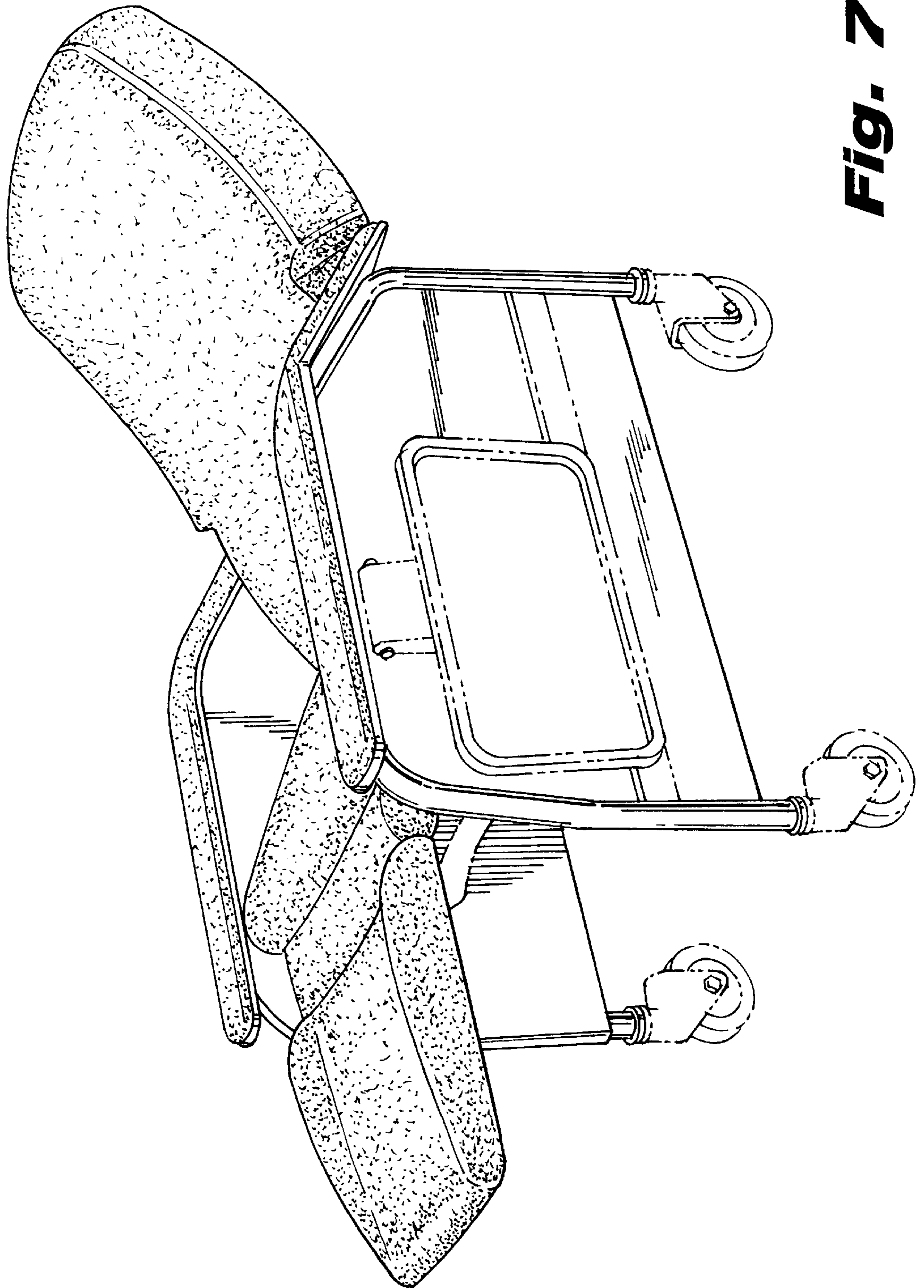


Fig. 7

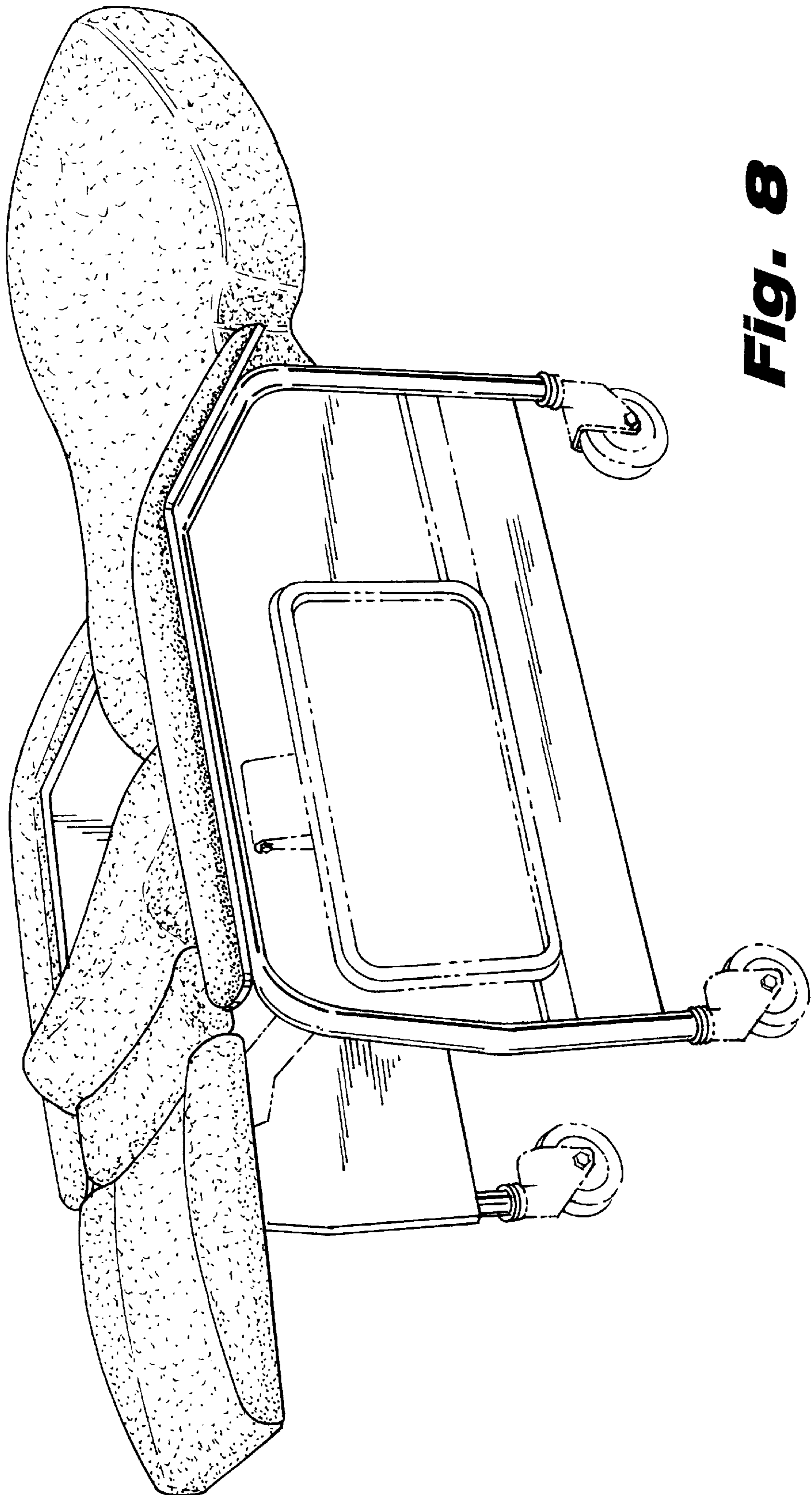


Fig. 8