



US00D432802S

United States Patent [19]

Taylor et al.

[11] Patent Number: **Des. 432,802**

[45] Date of Patent: **** Oct. 31, 2000**

[54] **STOOL**

[76] Inventors: **Nicole Merielle Marie Taylor; John Taylor**, both of 130 Wellington St. N., P.O. Box 1854, St. Mary's, Ontario, Canada, N4X 1C2

[**] Term: **14 Years**

[21] Appl. No.: **29/106,856**

[22] Filed: **Jun. 24, 1999**

[30] Foreign Application Priority Data

Apr. 21, 1999 [CA] Canada 1999-0976

[51] **LOC (7) Cl.** **06-01**

[52] **U.S. Cl.** **D6/351**

[58] **Field of Search** D6/349-353, 497, D6/450, 451; 297/461, 462, 423.1, 423.39, 423.41

[56] References Cited

U.S. PATENT DOCUMENTS

D. 76,900 11/1928 Schwartz D6/349

D. 174,695	5/1955	Kipp	D6/352
D. 182,024	2/1958	Greenberg	D6/349
D. 274,347	6/1984	Budde	D6/351 X
D. 309,681	8/1990	Solomon et al.	D6/351
D. 309,683	8/1990	Solomon et al.	D6/450
D. 373,265	9/1996	Horvath	D6/451

Primary Examiner—Janice E. Seeger
Attorney, Agent, or Firm—Barrigar & Moss

[57] CLAIM

The ornamental design for a stool, as shown and described.

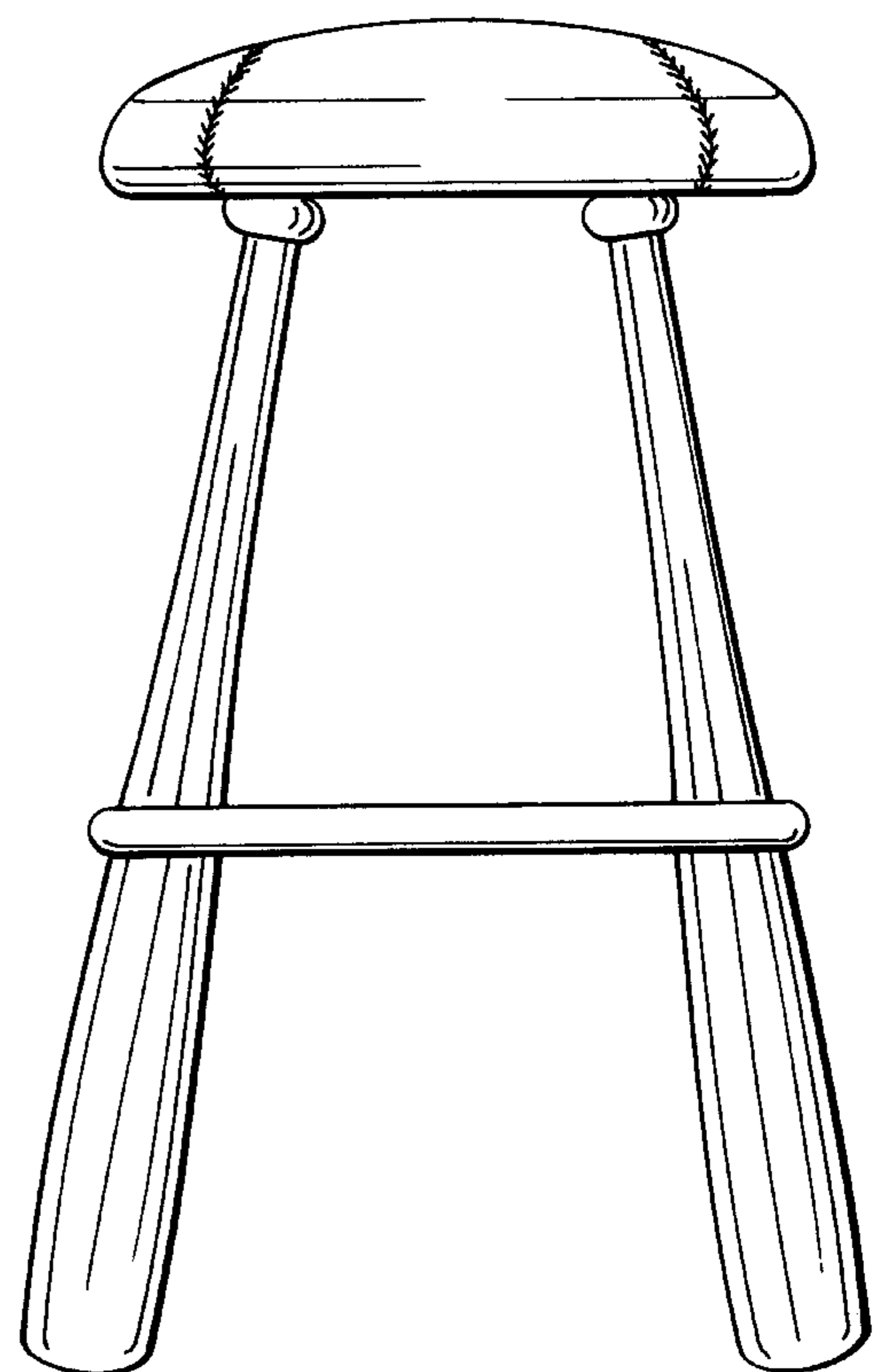
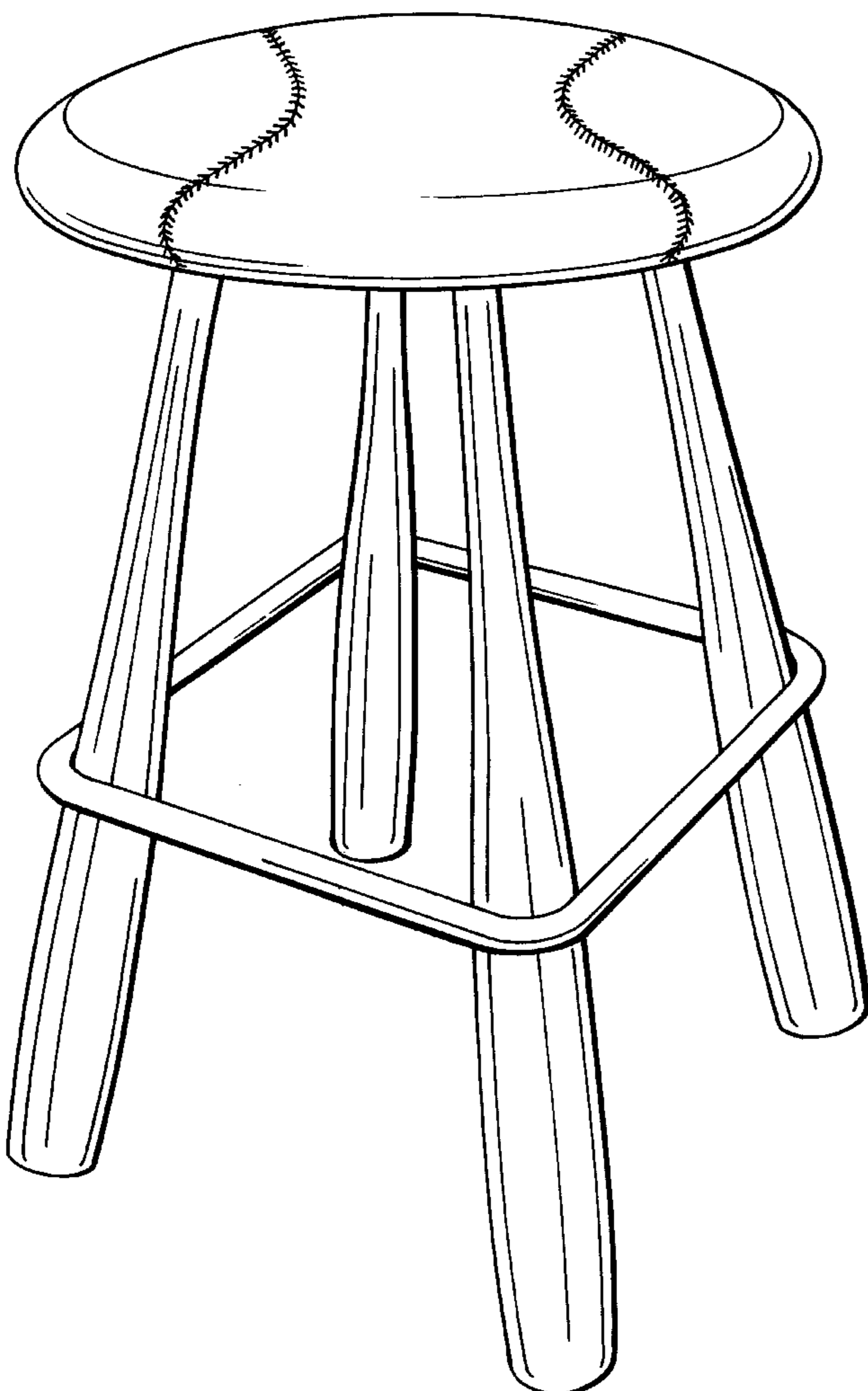
DESCRIPTION

FIG. 1 is a perspective view of the design, this view showing the top and two sides thereof;

FIG. 2 is a side view of the design; and,

FIG. 3 is a top view of the design.

1 Claim, 3 Drawing Sheets



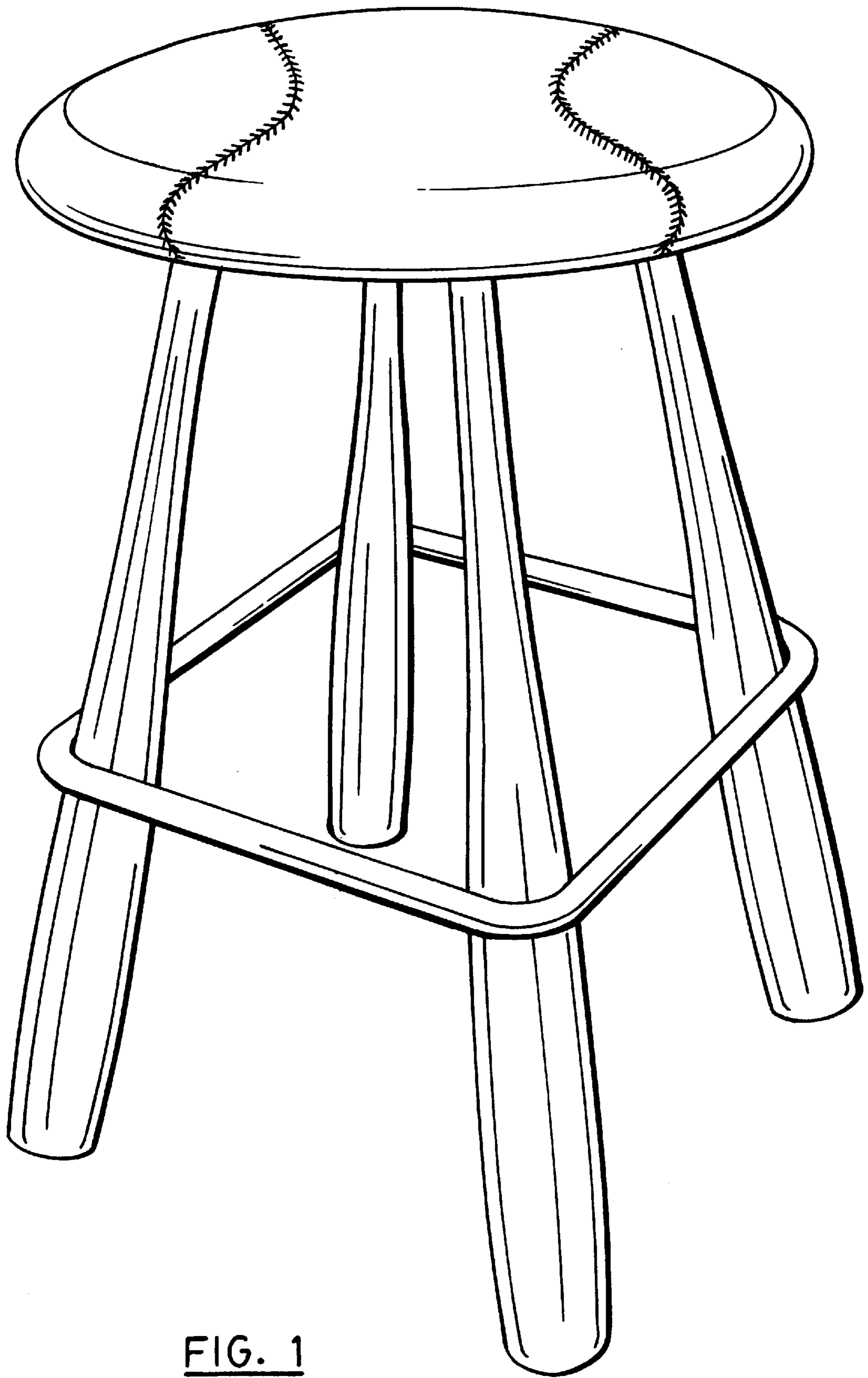


FIG. 1

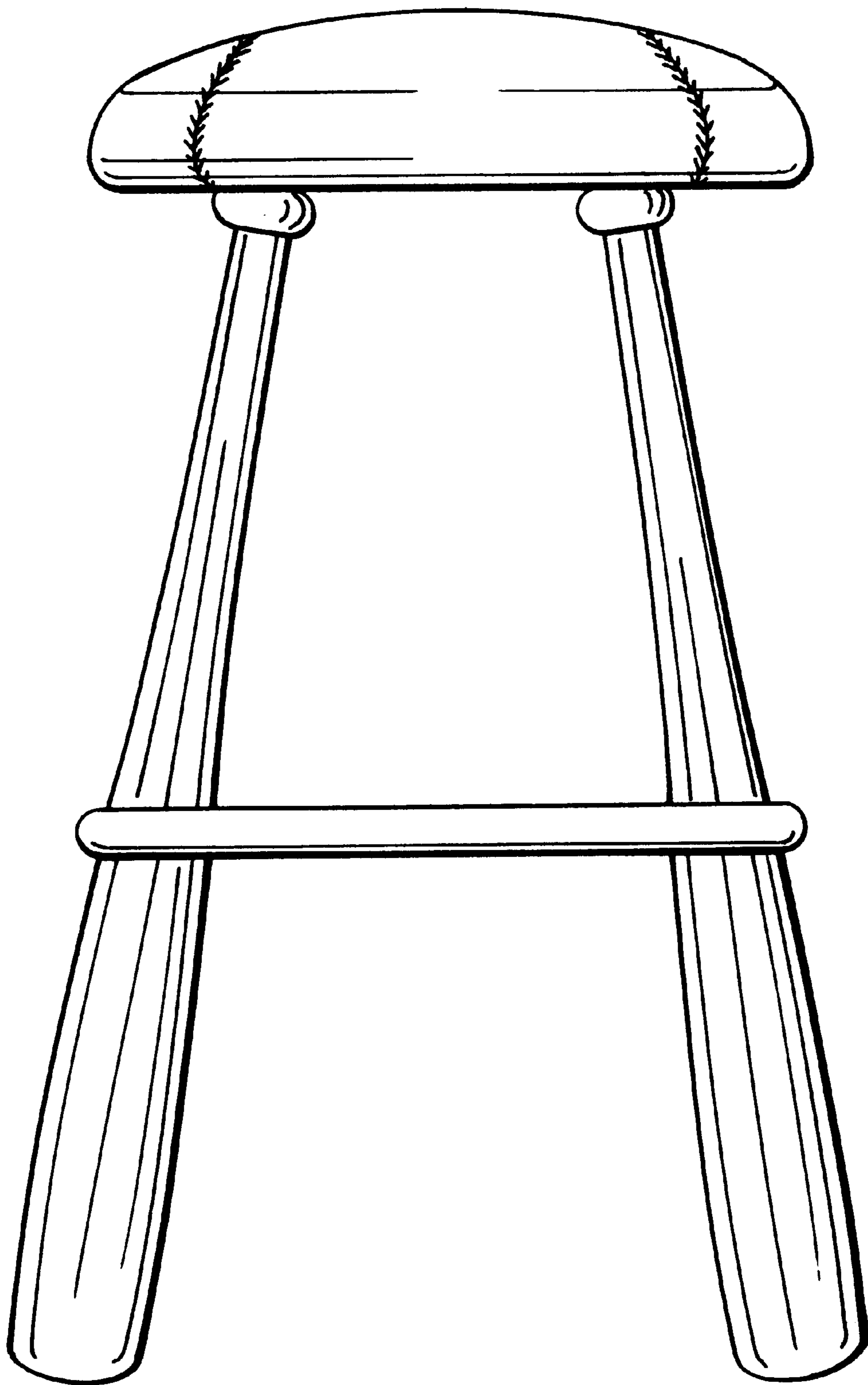


FIG. 2

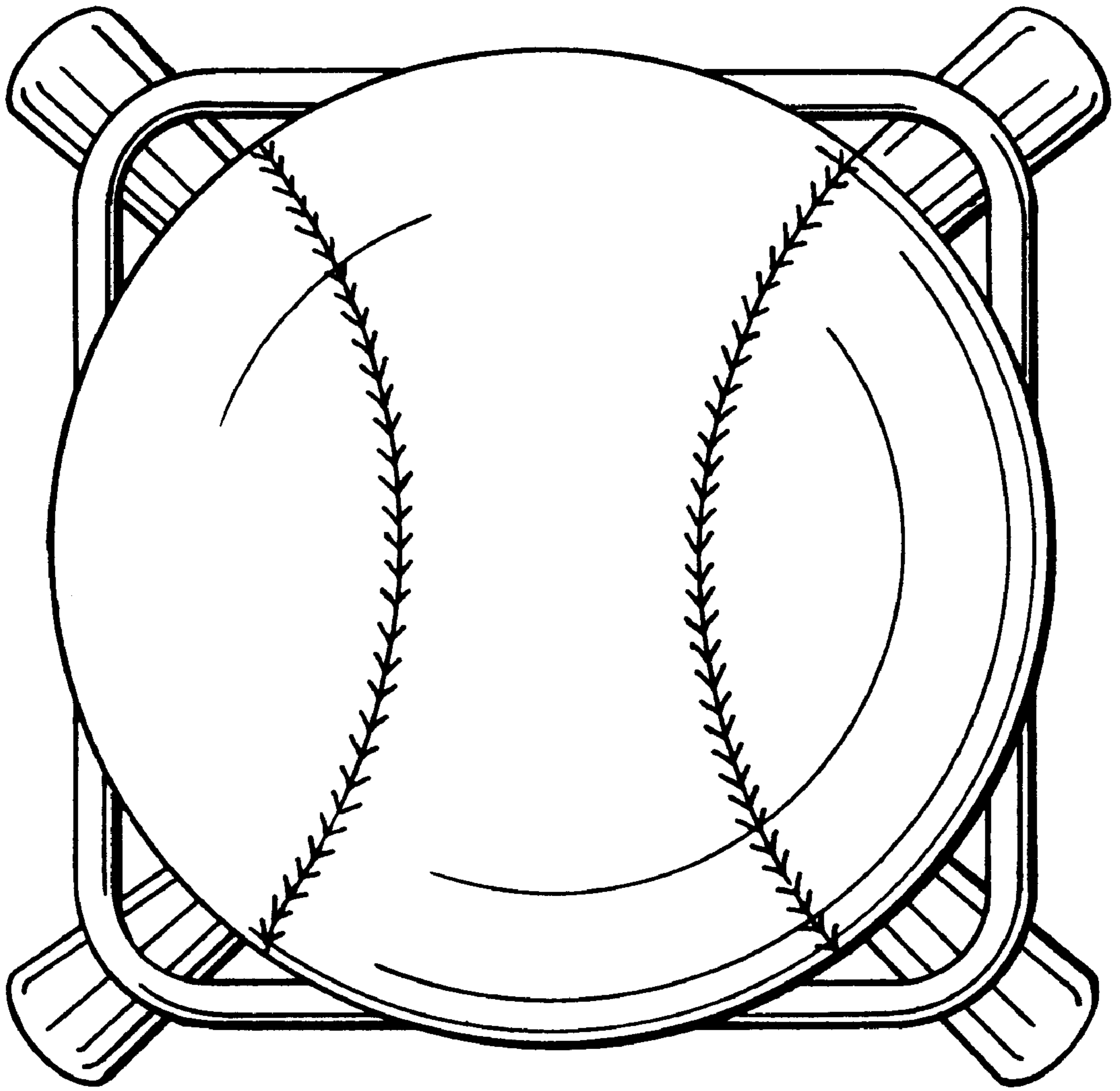


FIG. 3