



US00D432797S

United States Patent [19]

[11] Patent Number: **Des. 432,797**

Schilling et al.

[45] Date of Patent: **** Oct. 31, 2000**

[54] PICNIC TABLE

OTHER PUBLICATIONS

[75] Inventors: **Jerry L. Schilling**, Syracuse; **Michael R. Schilling**, Pierceton; **David A. Reichard**, Warsaw, all of Ind.

1998 "Plastisol" Coated Furniture Catalog, Wabash Valley Mfg. Inc.

[73] Assignee: **Wabash Valley Manufacturing, Inc.**, Silver Lake, Ind.

Vinyl Coated Steel Recreational Furniture 1998 Catalog, Diversified Metal Fabricators, Inc.

[**] Term: **14 Years**

Superior Line Outdoor/Indoor Furniture 1996 Catalog, Fusion Coatings, Inc.

[21] Appl. No.: **29/092,724**

Specializing in Vinyl Coated Steel Recreational Furniture Catalog, Diversified Metal Fabricators, Inc., 12th Edition, Jan., 1996.

[22] Filed: **Aug. 25, 1998**

Recreation Catalog, Ken Coat, Inc., Dec. 1, 1995.

[51] **LOC (7) Cl.** **06-01**

Primary Examiner—Doris V. Coles

[52] **U.S. Cl.** **D6/337**

Assistant Examiner—Mimosa De

[58] **Field of Search** D6/334, 337, 369, D6/370, 500, 501, 502; 297/157.1, 158.3

Attorney, Agent, or Firm—E. Victor Indiano; Bose McKinney & Evans LLP

[56] References Cited

[57] CLAIM

U.S. PATENT DOCUMENTS

The ornamental design for a picnic table, as shown and described.

D. 165,710	1/1952	Currie et al. .	
D. 190,744	6/1961	Guice	D6/337
D. 222,806	1/1972	Wise .	
D. 228,162	8/1973	Fink .	
D. 231,963	7/1974	May .	
D. 277,442	2/1985	Crowell .	
D. 417,965	12/1999	Strong et al.	D6/337
3,758,152	9/1973	Lake .	
3,847,424	11/1974	Nielsen .	
3,910,631	10/1975	Inaba .	
4,023,859	5/1977	Hagenson .	
4,522,443	6/1985	Van Blankenburg .	
5,452,936	9/1995	Koehring .	

DESCRIPTION

FIG. 1 is a perspective view of a picnic table, showing our new design;

FIG. 2 is a front elevational view thereof showing the table;

FIG. 3 is a right side elevational view thereof;

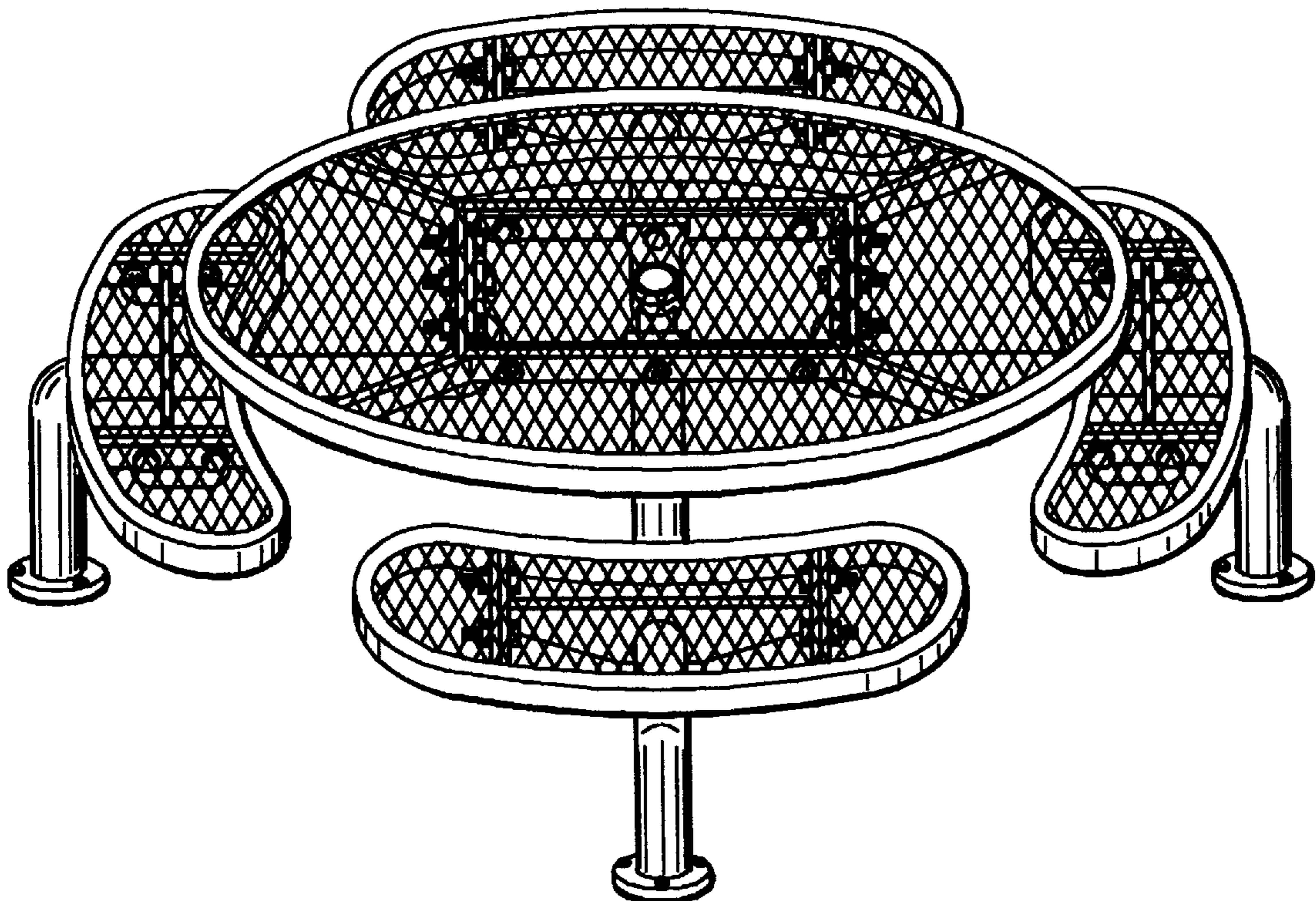
FIG. 4 is a rear elevational view thereof;

FIG. 5 is a left side elevational view thereof;

FIG. 6 is a top view thereof; and,

FIG. 7 is a bottom view thereof;

1 Claim, 4 Drawing Sheets



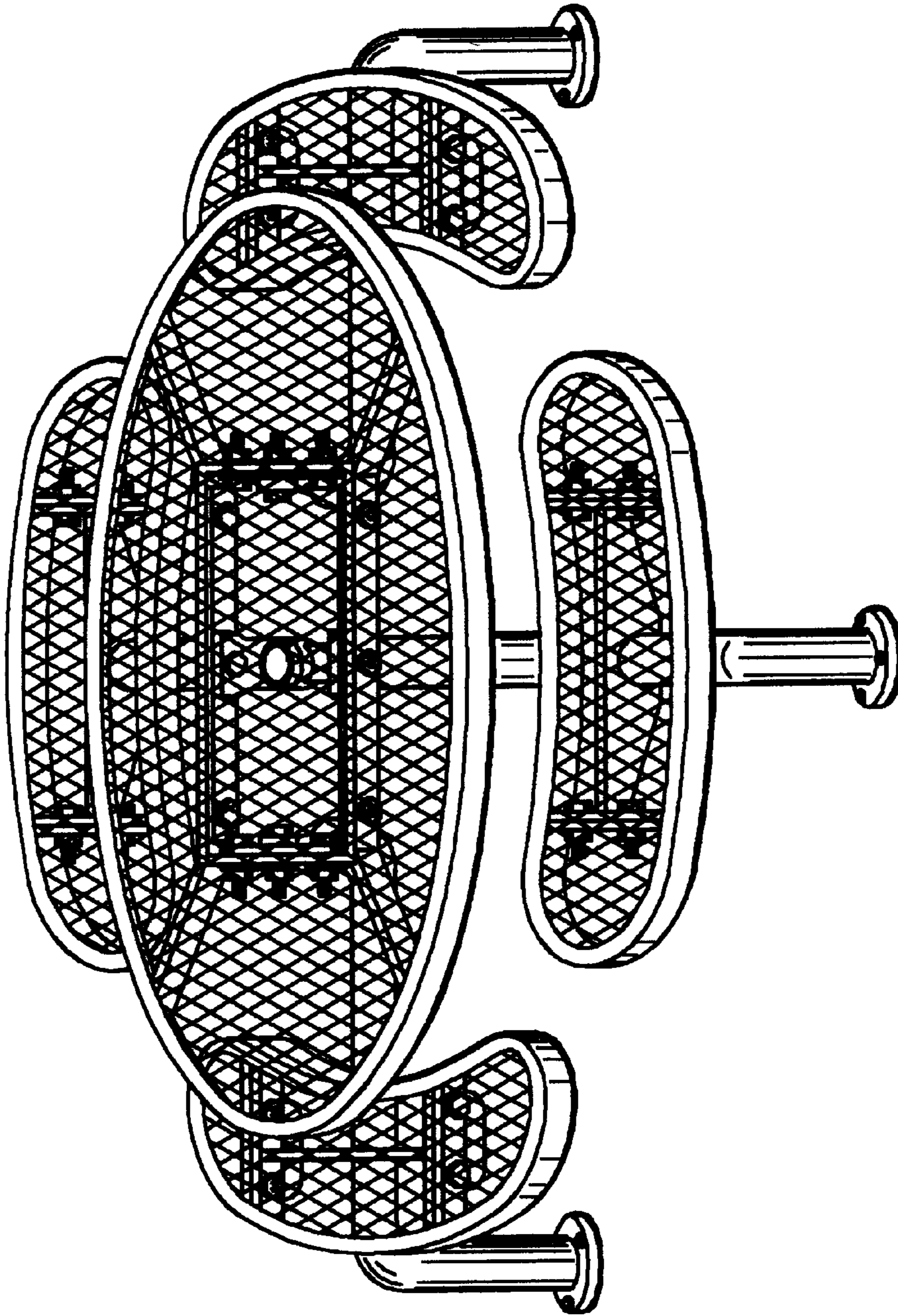


FIG. 1

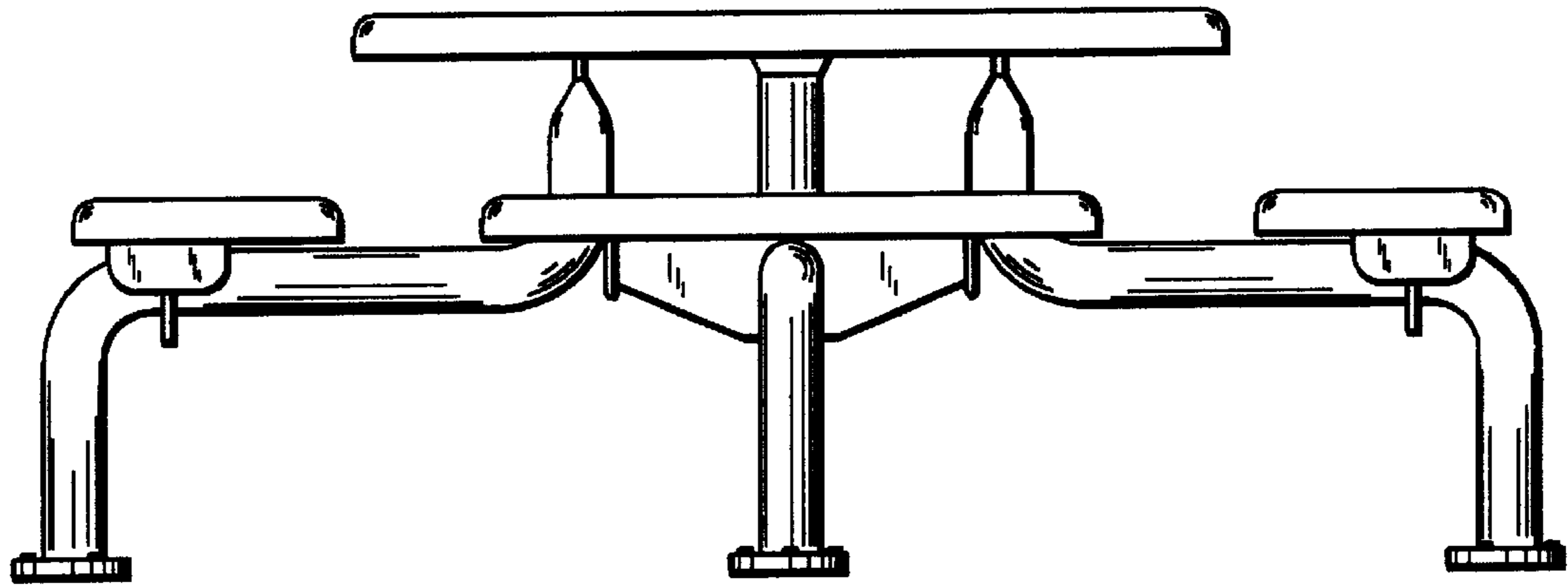


FIG. 2

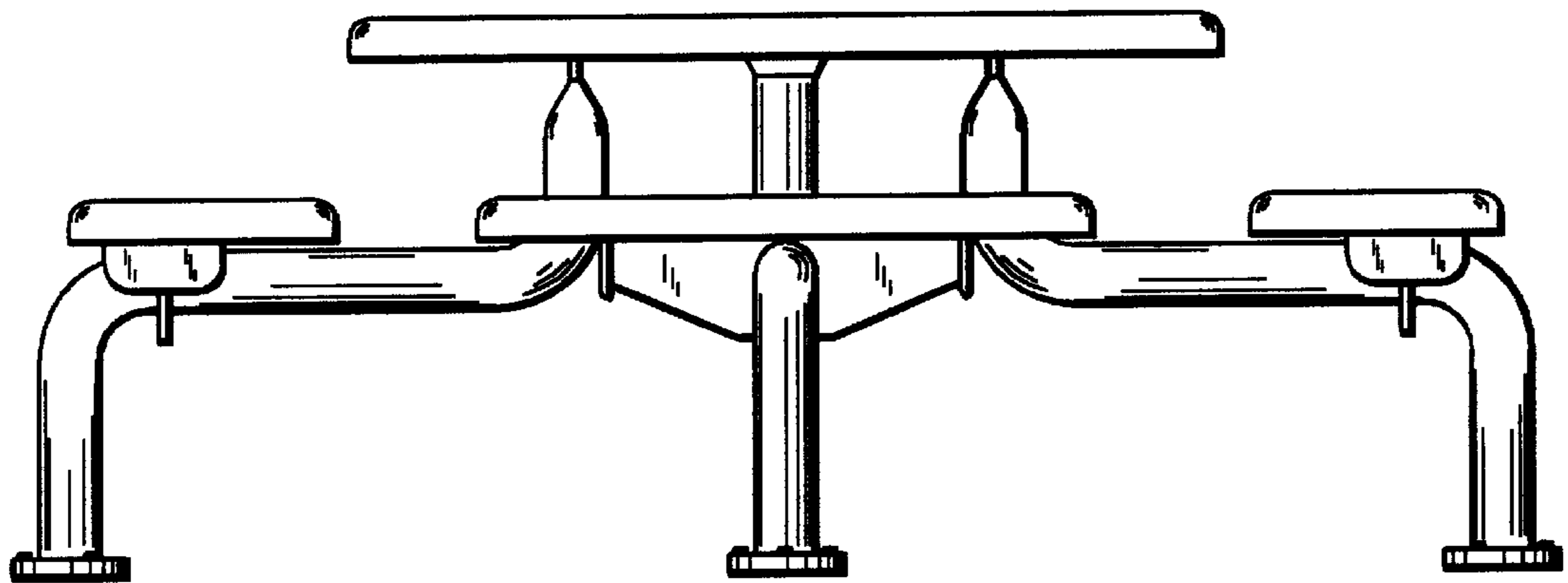


FIG. 3

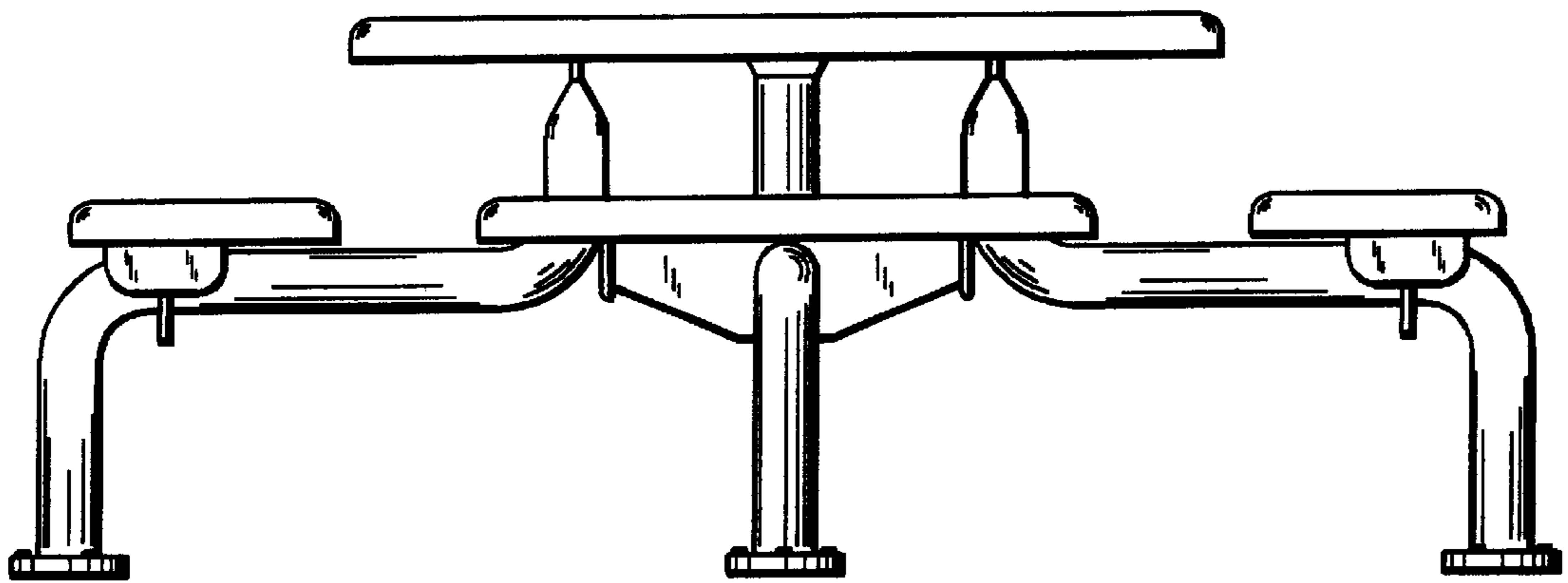


FIG. 4

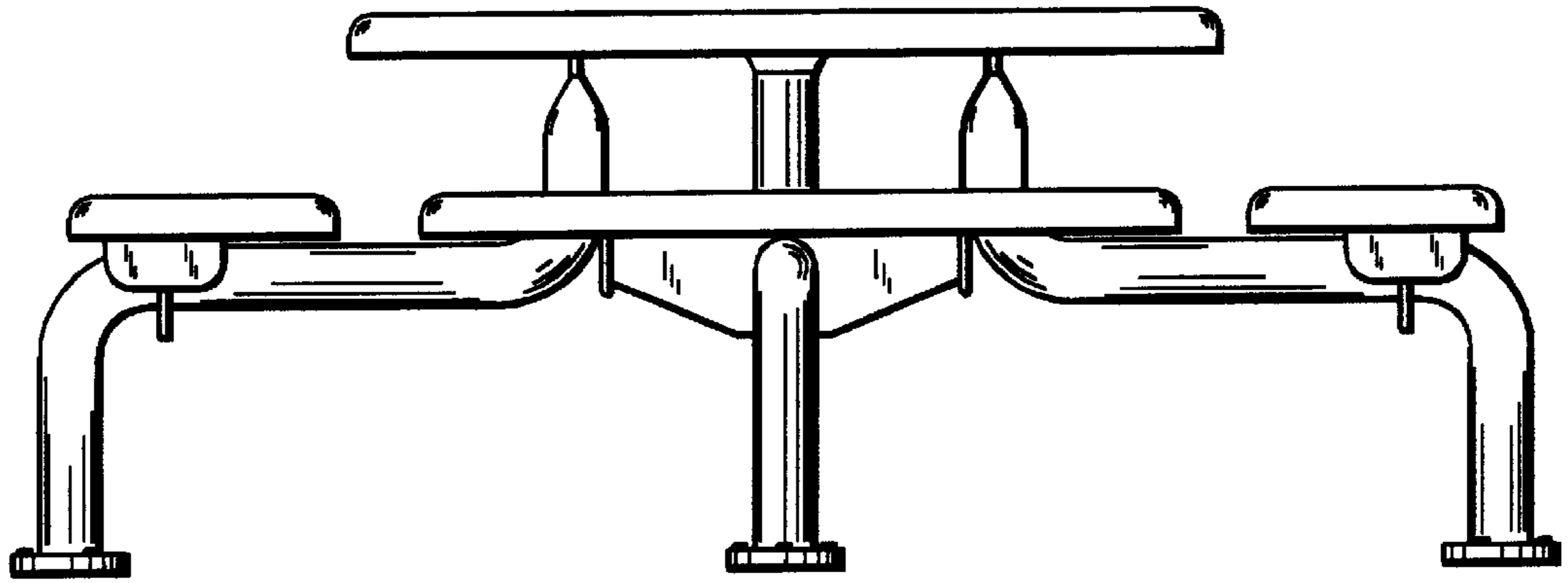


FIG. 5

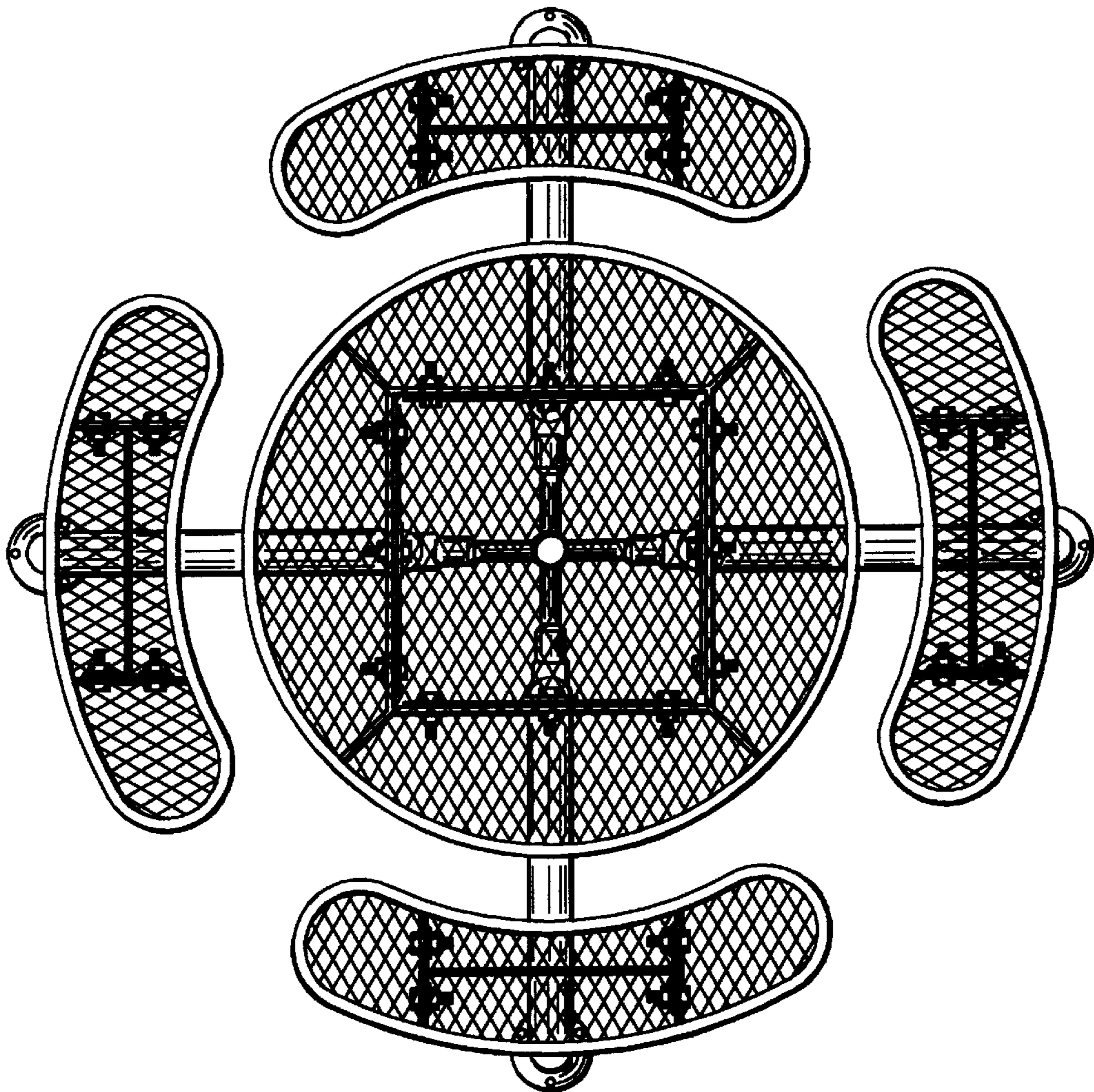


FIG. 6

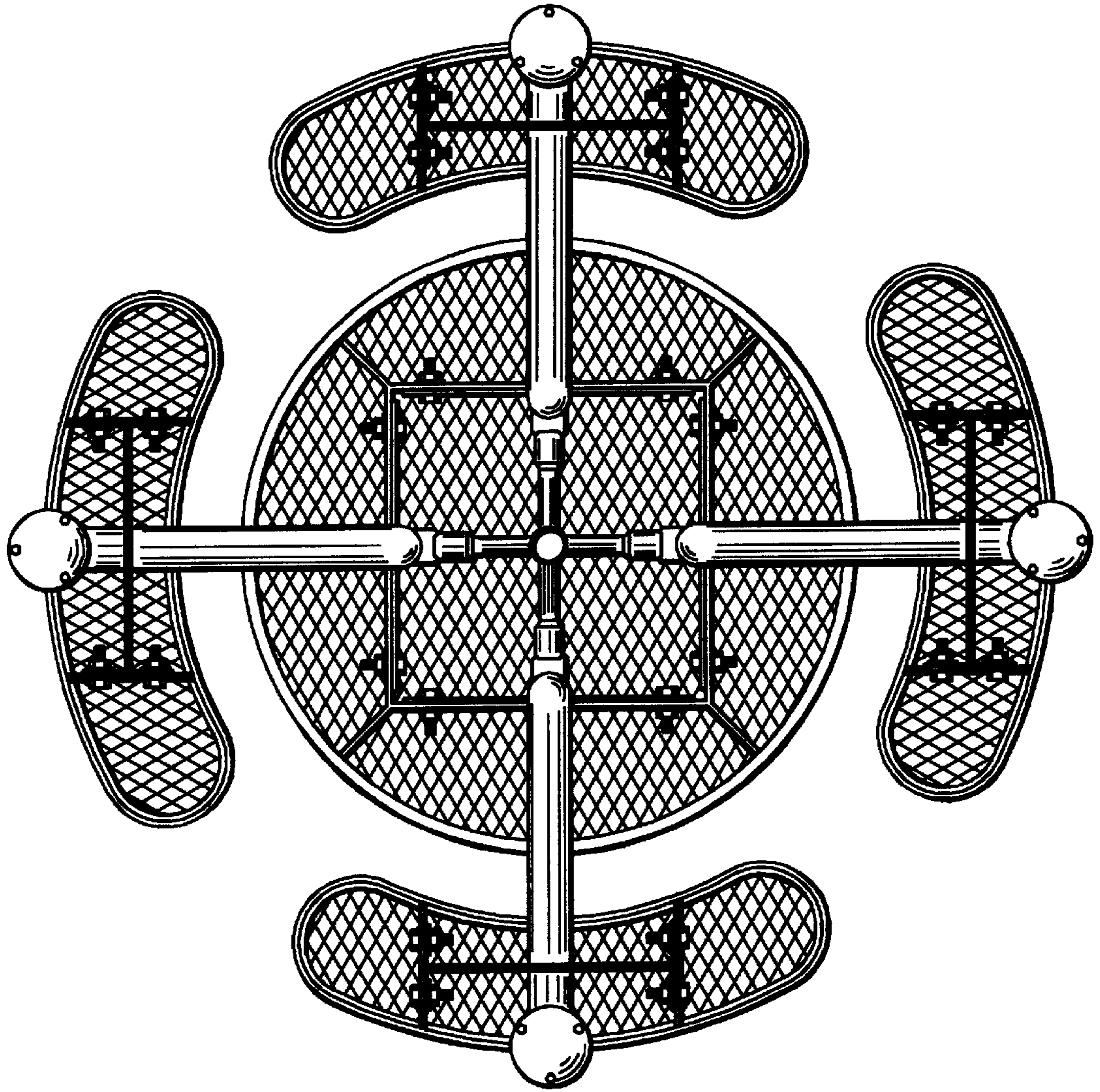


FIG. 7