



US00D432795S

United States Patent [19] Block

[11] **Patent Number: Des. 432,795**

[45] **Date of Patent: ** Oct. 31, 2000**

[54] **FRAME**

D. 59,607 11/1921 Spencer D6/310
D. 165,023 10/1951 Rodbell D6/310

[76] Inventor: **Lawrence M Block**, 1303 Western Ave., Las Vegas, Nev. 89102

Primary Examiner—Janice E. Seeger
Attorney, Agent, or Firm—Leonard Weiss

[**] Term: **14 Years**

[21] Appl. No.: **29/109,801**

[57] **CLAIM**

[22] Filed: **Aug. 23, 1999**

The ornamental design for a frame, as shown and described.

[51] **LOC (7) Cl.** **06-07**

[52] **U.S. Cl.** **D6/300**

[58] **Field of Search** D6/300-303, 308-314;
40/700, 709, 721, 722, 745, 749, 752, 761,
764, 765, 766, 776, 778, 781, 782, 784,
790, 798; 248/441.1, 459; D19/90, 91

DESCRIPTION

FIG. 1 is a perspective view showing the front and left side of my new design; and,

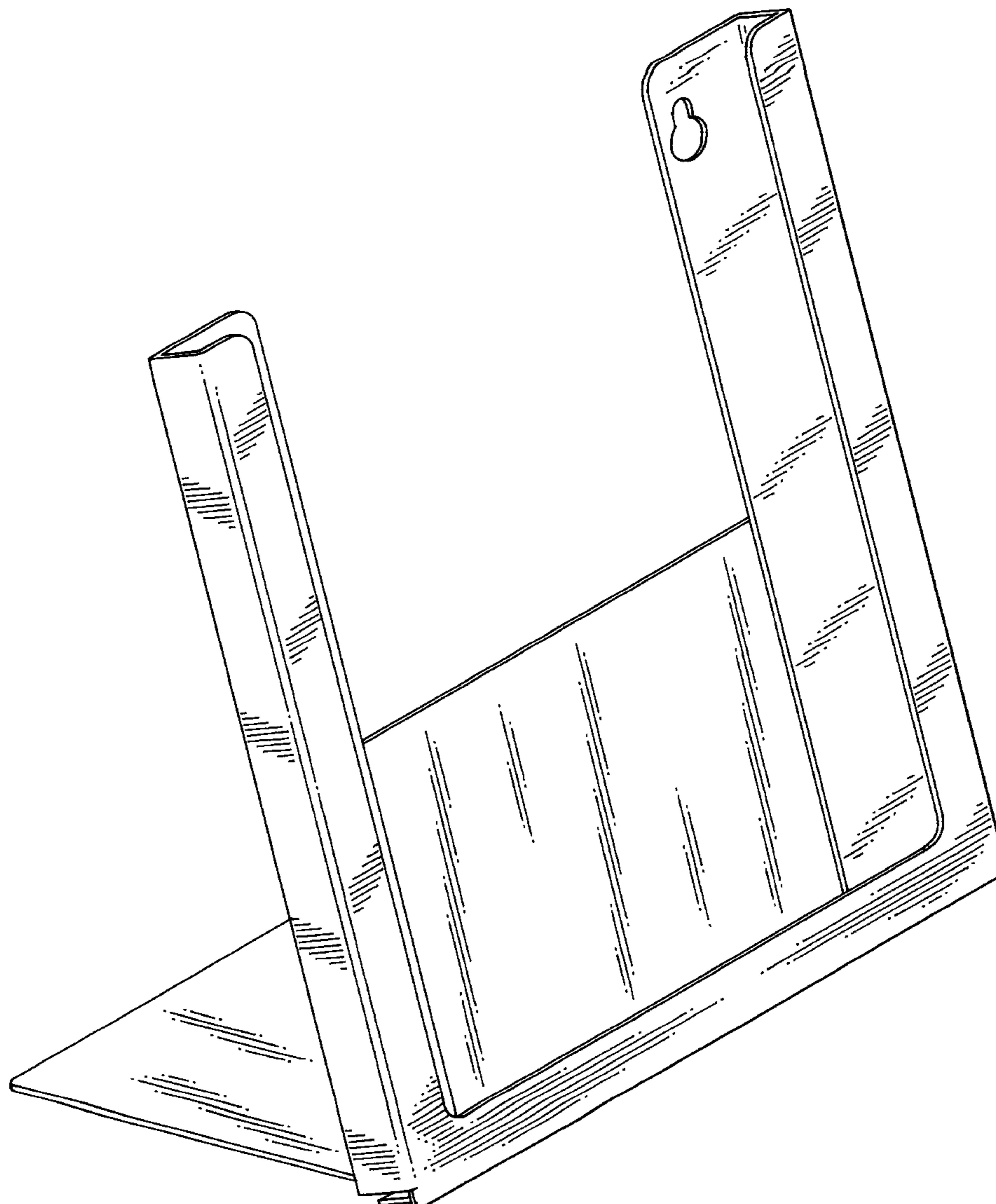
FIG. 2 is a perspective view showing the rear and left side thereof, where the left and right sides are mirror images of each other.

[56] **References Cited**

U.S. PATENT DOCUMENTS

D. 46,314 8/1914 Levy D6/310

1 Claim, 2 Drawing Sheets



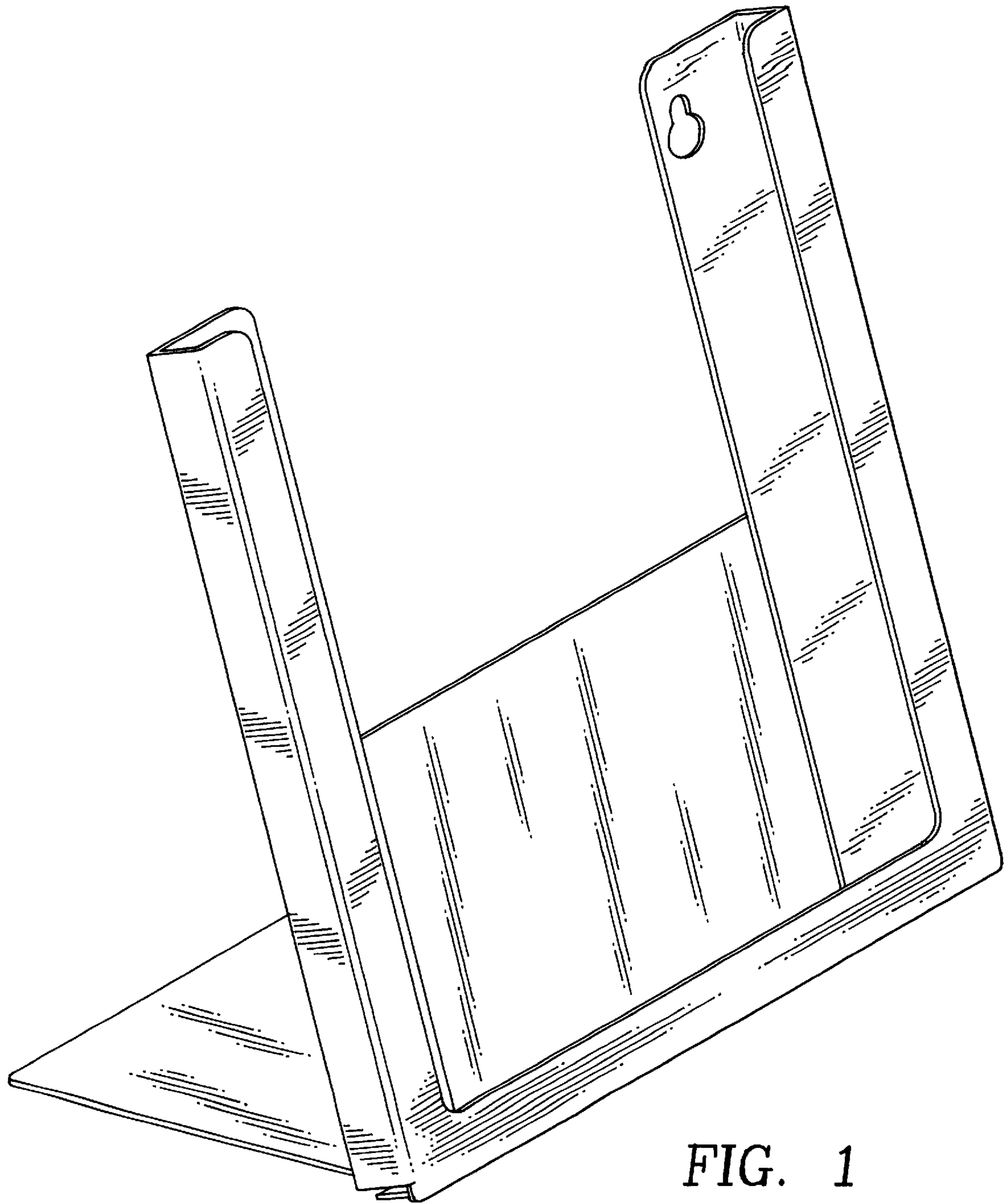


FIG. 1

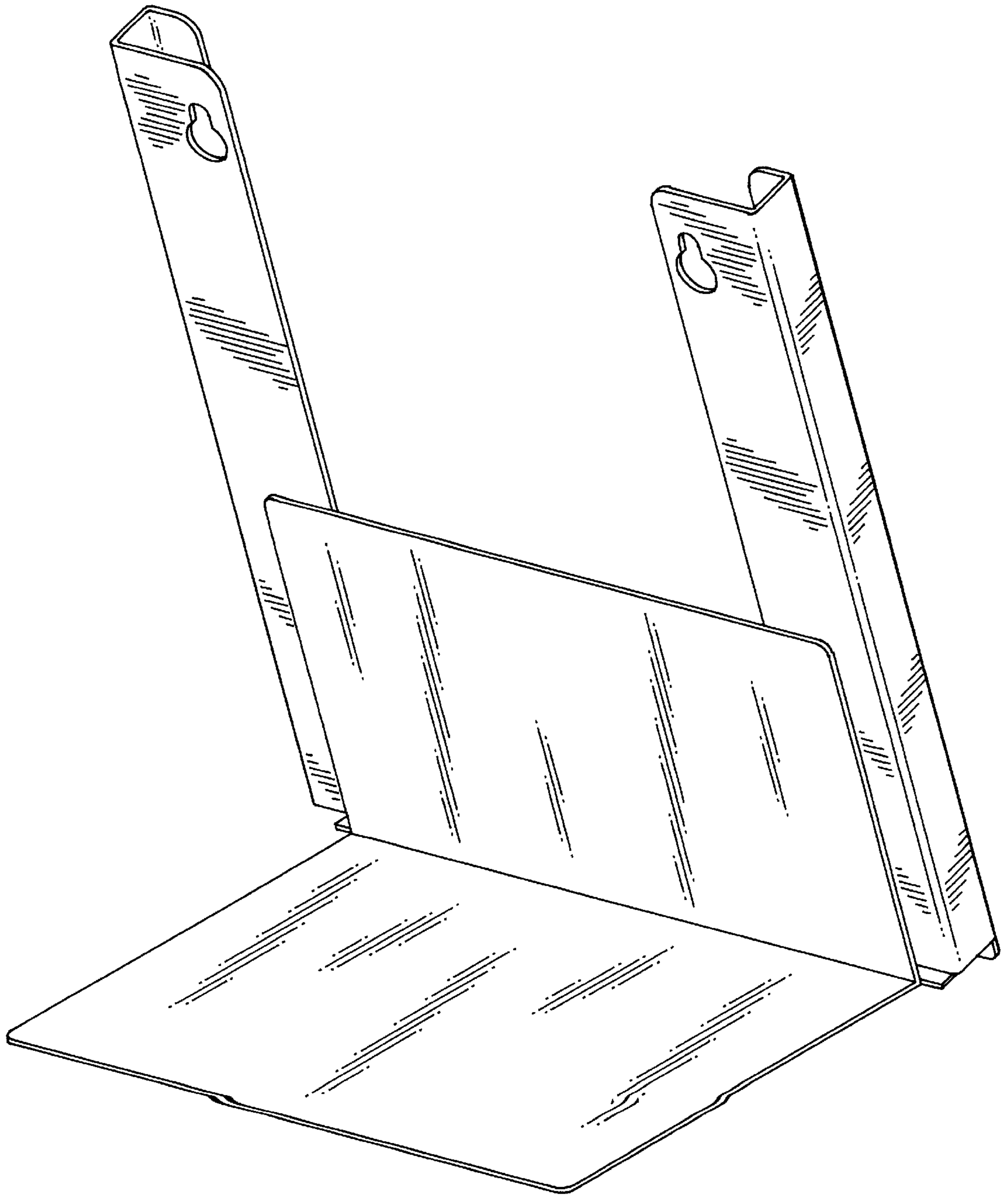


FIG. 2