



US00D432792S

United States Patent [19]
Sivan

[11] **Patent Number: Des. 432,792**

[45] **Date of Patent: ** Oct. 31, 2000**

[54] **HAIRBRUSH**

[75] Inventor: **Avi Sivan**, New York, N.Y.

[73] Assignee: **Tactica International, Inc.**, New York, N.Y.

[**] Term: **14 Years**

[21] Appl. No.: **29/097,980**

[22] Filed: **Dec. 18, 1998**

[51] **LOC (7) Cl.** **04-02**

[52] **U.S. Cl.** **D4/136; D4/133**

[58] **Field of Search** D4/114, 116, 132-134, D4/136, 138; D28/25, 35; 15/143.1, 159.1, 160, 186-188, DIG. 5; 132/120, 148, 159, 227, 271, 313; 401/28, 137, 190, 270, 278, 279, 291

D. 352,397 11/1994 Coleman D4/114
D. 358,489 5/1995 Balster et al. D4/136
D. 391,019 2/1998 Seifert D28/35
4,656,684 4/1987 Jewett 15/187 X

Primary Examiner—Alan P. Douglas
Assistant Examiner—Lavone Tabor
Attorney, Agent, or Firm—Venable; George H. Spencer; Catherine M. Voorhees

[57] **CLAIM**

The ornamental design for a hairbrush, as shown and described.

DESCRIPTION

FIG. 1 is a perspective view of a hairbrush showing my design;
FIG. 2 is a top plan view thereof;
FIG. 3 is a bottom plan view thereof;
FIG. 4 is a right side elevational view, the left side being a mirror image thereof;
FIG. 5 is an enlarged front elevational view thereof; and,
FIG. 6 is an enlarged rear elevational view thereof.

[56] **References Cited**

U.S. PATENT DOCUMENTS

D. 299,976 2/1989 Elkerbout D4/116 X
D. 309,529 7/1990 Kim D4/116

1 Claim, 5 Drawing Sheets

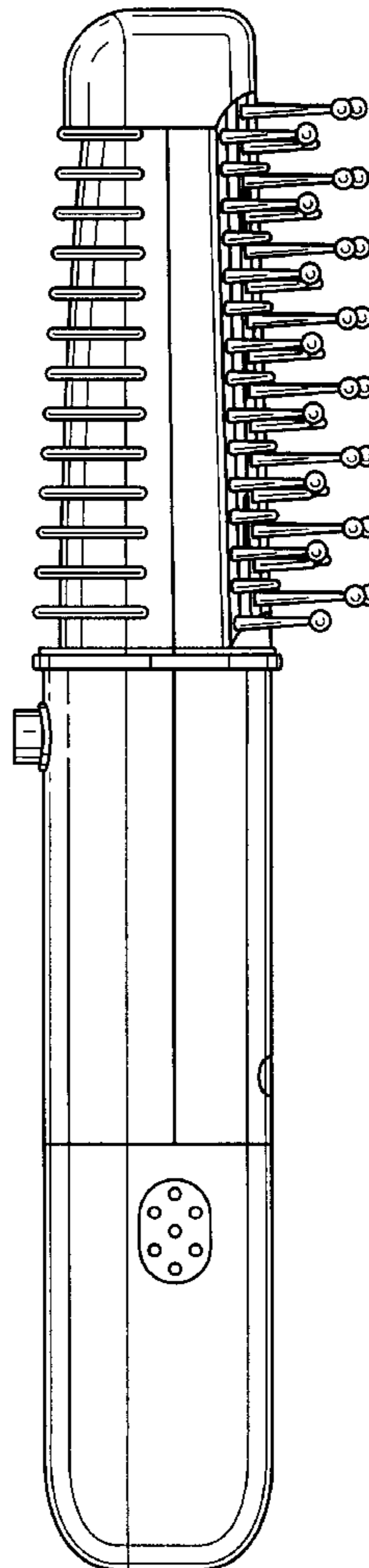
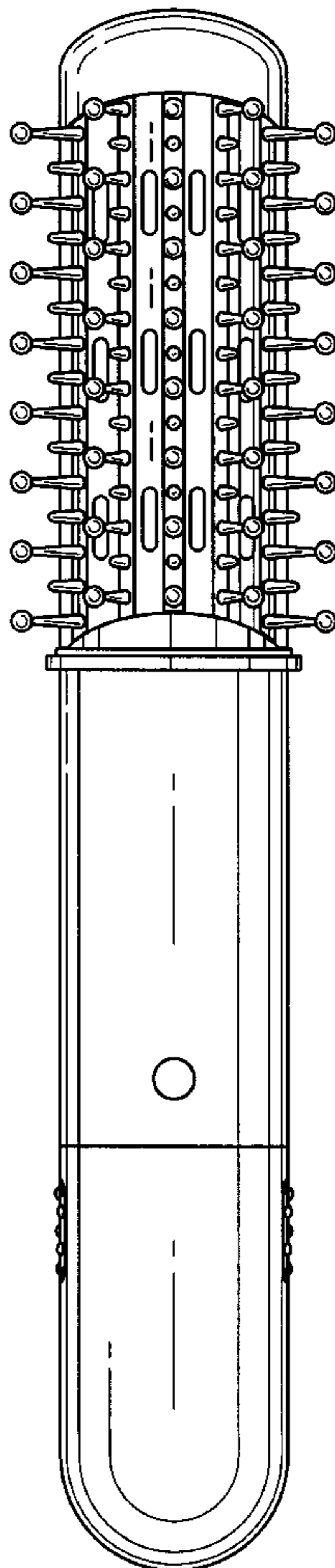


FIG. 1

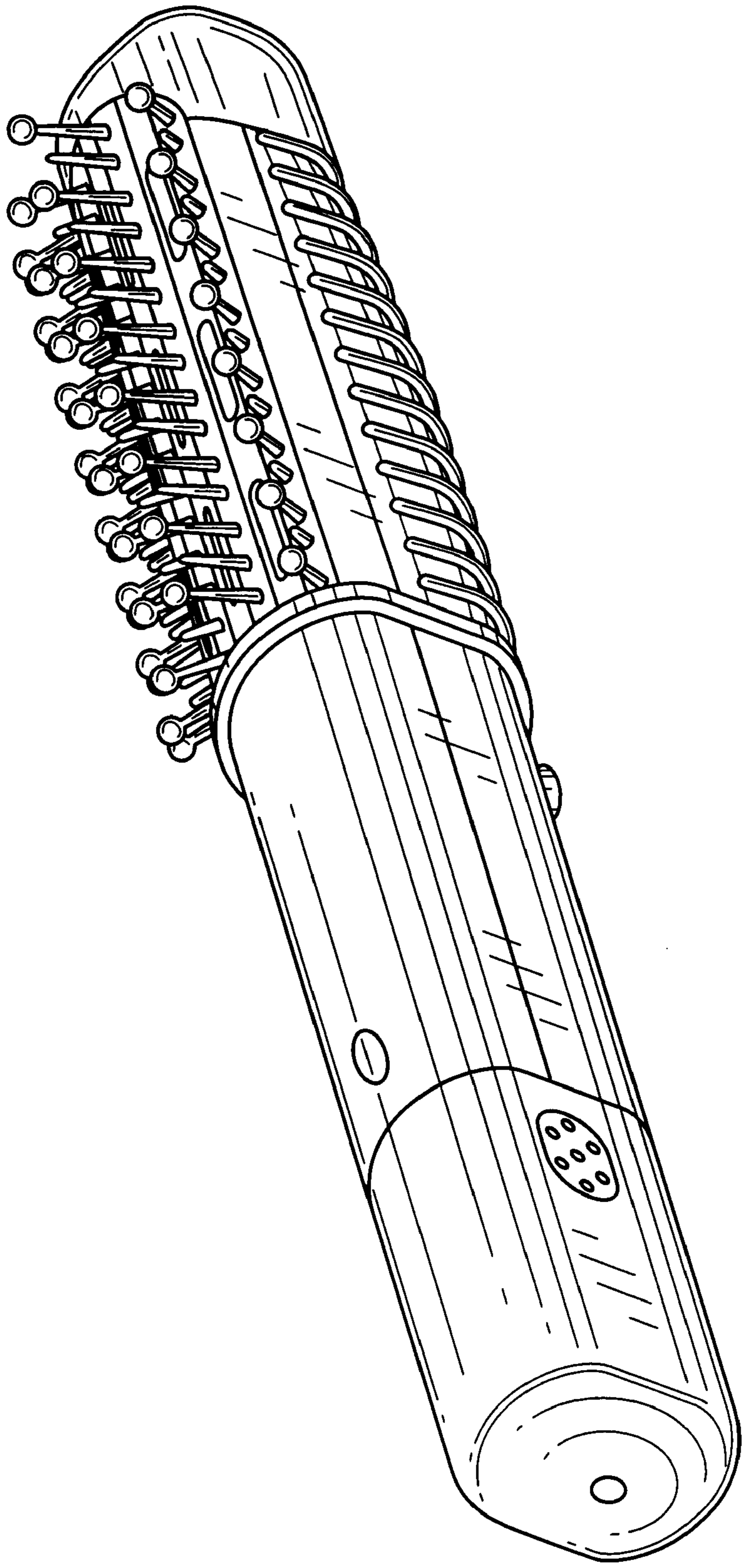
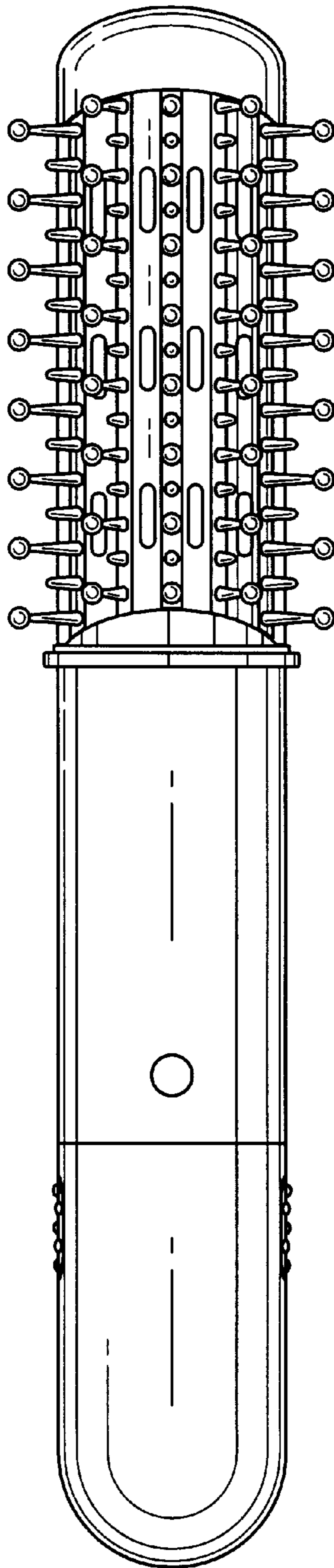


FIG. 2



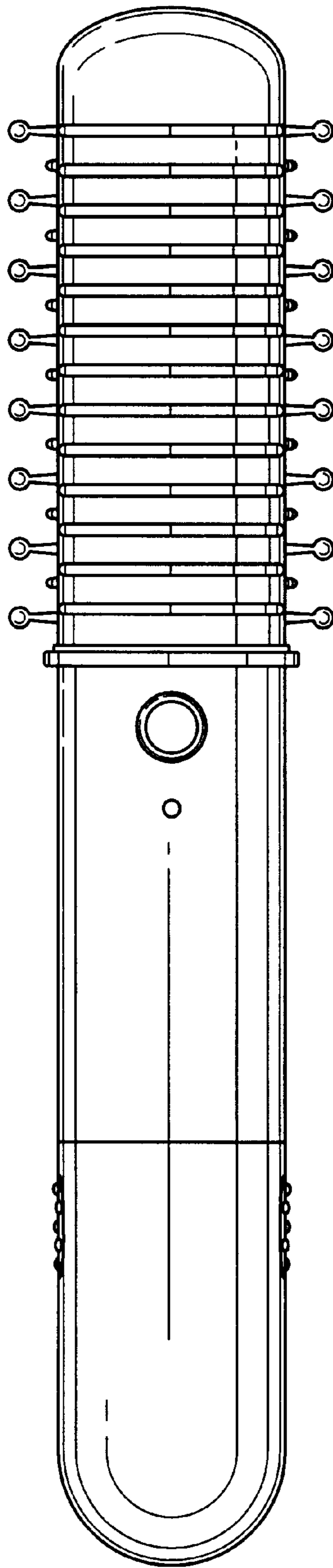
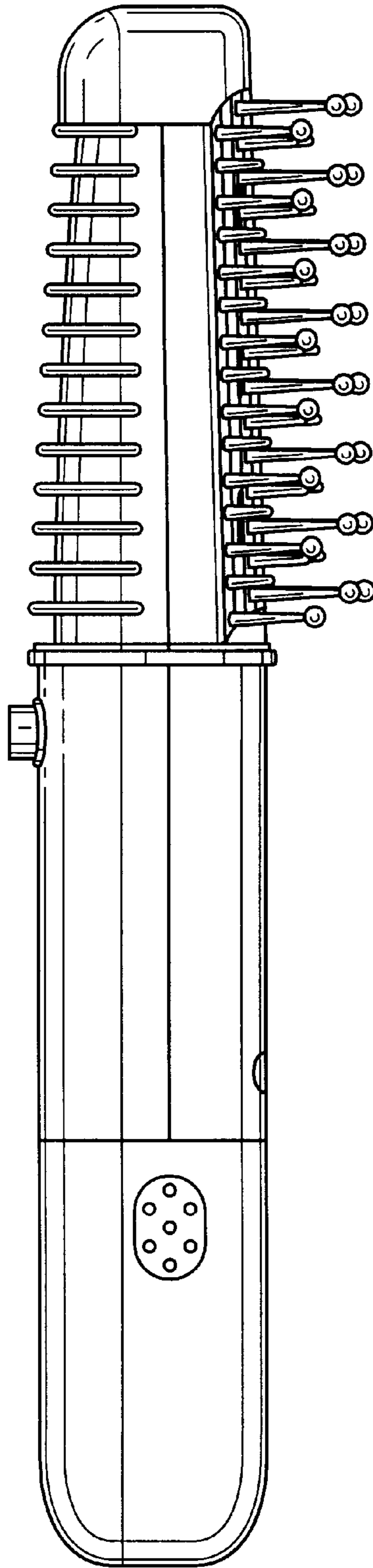


FIG. 3

FIG. 4



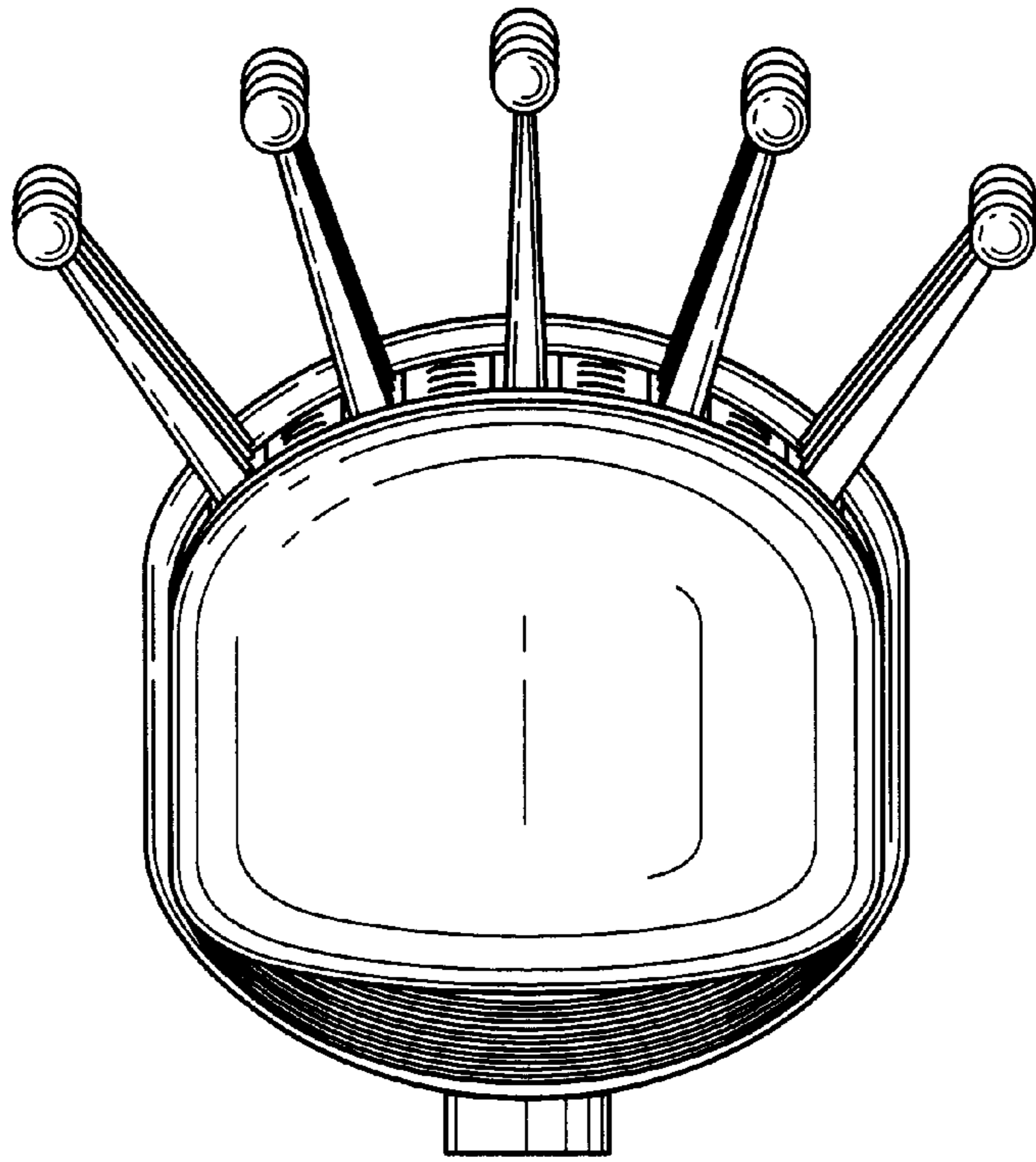


FIG. 5

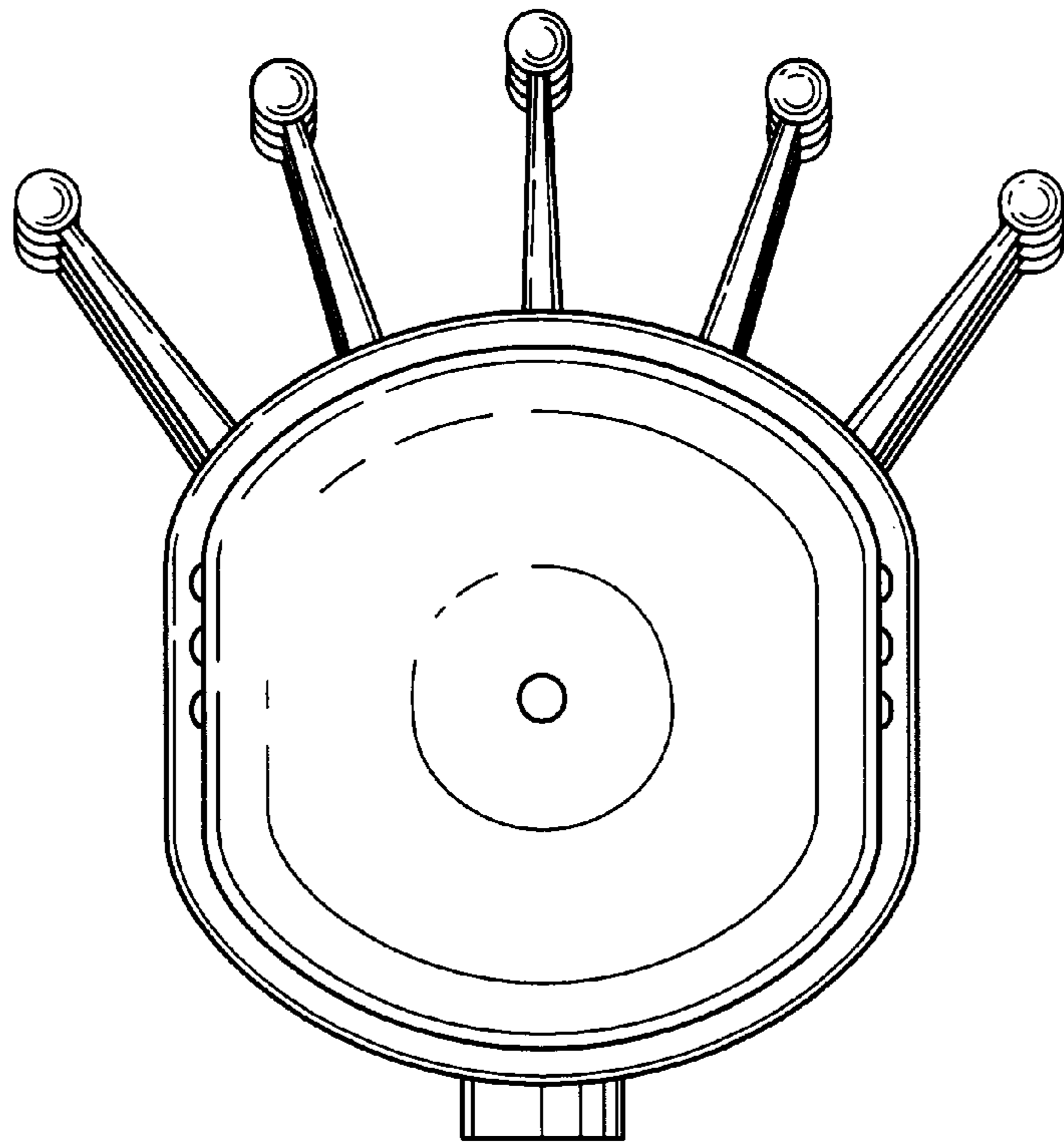


FIG. 6