



US00D432790S

# United States Patent [19]

[11] Patent Number: Des. 432,790

Streich et al.

[45] Date of Patent: \*\* Oct. 31, 2000

[54] SET OF TOOL RECEIVING INSERTS

(List continued on next page.)

[75] Inventors: John P. Streich, Towson, Md.; Patrick S. Keenan, Pittsburgh, Pa.

Primary Examiner—Philip S. Hyder  
Attorney, Agent, or Firm—Harness, Dickey & Pierce, P.L.C.

[73] Assignee: Black & Decker, Inc., Newark, Del.

[57] CLAIM

[\*\*] Term: 14 Years

The ornamental design for a set of tool receiving inserts, as shown and described.

[21] Appl. No.: 29/092,267

DESCRIPTION

[22] Filed: Aug. 14, 1998

FIG. 1 is a perspective view of a set of tool receiving inserts, in accordance with the claimed design;

[51] LOC (7) Cl. .... 03-01

FIG. 2 is a perspective view of one of the tool receiving inserts of FIG. 1;

[52] U.S. Cl. .... D3/318; D3/315; D8/71

FIG. 3 is a top plan view of FIG. 2;

[58] Field of Search ..... D3/905, 315, 318;  
206/349, 372, 373, 378, 379; D8/71; D6/512

FIG. 4 is a bottom plan view of FIG. 2;

FIG. 5 is a front elevational view of FIG. 2;

FIG. 6 is a right side elevational view of FIG. 2;

FIG. 7 is a rear elevational view of FIG. 2;

[56] References Cited

U.S. PATENT DOCUMENTS

D. 178,627	9/1956	Baratelli .	
D. 221,317	7/1971	Muller .....	D3/282
D. 229,366	11/1973	Yonce .....	D3/905
D. 269,648	7/1983	Wilcox et al. .	
D. 291,946	9/1987	Dottori et al. ....	D3/282
D. 314,669	2/1991	Kunimune .....	D3/282
D. 328,189	7/1992	Hillinger .....	D3/282
D. 329,331	9/1992	Hobson .	
337,888	3/1886	Swan .	

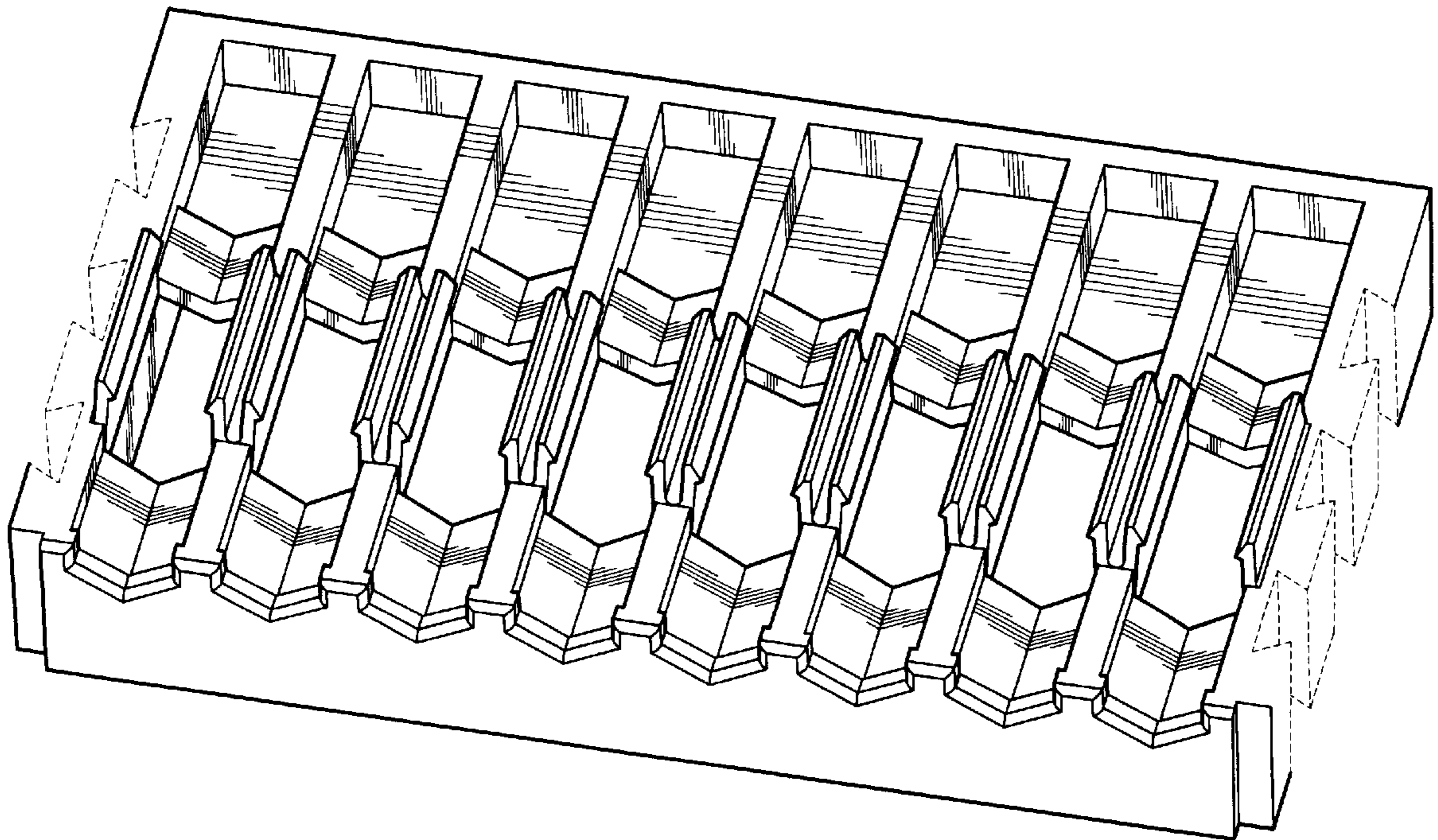
FIG. 8 is a perspective view of a second tool receiving insert of FIG. 1; and,

FIG. 9 is a perspective view of a third tool receiving insert of FIG. 1.

The undisclosed bottom surfaces of the second and third tool receiving inserts form no part of the claimed design.

The broken line showing of the case is for illustrating purposes only and forms no part of the claimed design.

1 Claim, 4 Drawing Sheets



U.S. PATENT DOCUMENTS					
			5,031,768	7/1991	Fischer ..... 206/370
D. 345,650	4/1994	Boyd ..... D12/423	5,056,661	10/1991	Balzano ..... 206/372
D. 358,257	5/1995	Sidabras et al. .... D3/282	5,133,455	7/1992	Chow ..... 206/374
D. 374,988	10/1996	Hillinger ..... D3/294	5,156,271	10/1992	Toner ..... 206/457
D. 379,715	6/1997	Yemini ..... D3/282	5,217,115	6/1993	Purkapile ..... 206/373
D. 382,115	8/1997	Chang ..... D3/282	5,222,619	6/1993	Gregory ..... 220/324
D. 382,709	8/1997	Cuneo ..... D3/282	5,248,030	9/1993	Tarozzi .
D. 385,109	10/1997	Stäheli ..... D3/281	5,248,033	9/1993	Kos et al. .... 206/334
D. 394,952	6/1998	Wei ..... D3/272	5,320,223	6/1994	Allen ..... 206/372
D. 400,709	11/1998	Chang ..... D3/294	5,341,926	8/1994	Leben ..... 206/307
470,567	3/1892	Hitch .	5,346,063	9/1994	Chow ..... 206/376
498,455	5/1893	Bartlett .	5,346,677	9/1994	Risk .
1,927,110	9/1933	Bannister et al. .	5,398,810	3/1995	Yao Wang ..... 206/373
2,487,174	11/1949	Petre .	5,409,560	4/1995	Hammer et al. .... 206/372
2,508,951	5/1950	Kazimier .	5,429,235	7/1995	Chen ..... 206/373
2,601,101	6/1952	Derham .	5,433,929	7/1995	Riihimaki et al. .... 206/370
2,792,934	5/1957	Rocchetti .	5,469,961	11/1995	Chang ..... 206/312
2,844,244	7/1958	Hanson ..... 206/379	5,484,057	1/1996	Tzu-Ching ..... 206/374
2,880,857	4/1959	Parsons et al. .	5,509,731	4/1996	Callahan et al. .
3,018,876	1/1962	Huot .	5,520,285	5/1996	Mursch et al. .... 206/373
3,154,192	10/1964	Cowley ..... 206/379	5,524,915	6/1996	Liu ..... 206/372
3,276,847	10/1966	Duff et al. .	5,526,929	6/1996	Wei ..... 206/378
3,367,483	2/1968	Studen .	5,535,881	7/1996	Krivec ..... 206/376
3,370,697	2/1968	Levey et al. .	5,551,795	9/1996	Engibarov .
3,426,890	2/1969	Bayer .	5,553,710	9/1996	Takama ..... 206/561
3,499,525	3/1970	Kanter ..... 206/379	5,560,572	10/1996	Osborn et al. .
3,583,556	6/1971	Wagner .	5,562,208	10/1996	Hasler et al. .... 206/373
3,904,034	9/1975	Saunders ..... 206/378	5,570,784	11/1996	Sidabras et al. .... 206/378
4,048,051	9/1977	Gretz ..... 206/1.5	5,588,240	12/1996	Zilliox .
4,260,057	4/1981	Wall-Anderson ..... 206/379	5,603,415	2/1997	Balnis, Jr. .
4,340,140	7/1982	Wilcox et al. .... 206/373	5,624,037	4/1997	Kozo .
4,489,830	12/1984	Charlebois et al. .... 206/316	5,638,838	6/1997	Lombardi .
4,576,307	3/1986	Frydenberg ..... 220/324	5,638,964	6/1997	Ernst .
4,615,464	10/1986	Byrns ..... 220/449	5,641,066	6/1997	Mascaro ..... 206/372
4,619,364	10/1986	Czopor, Jr. .... 206/379	5,649,657	7/1997	Chuang .
4,958,732	9/1990	Rau et al. .... 206/379	5,651,941	7/1997	Stark et al. .

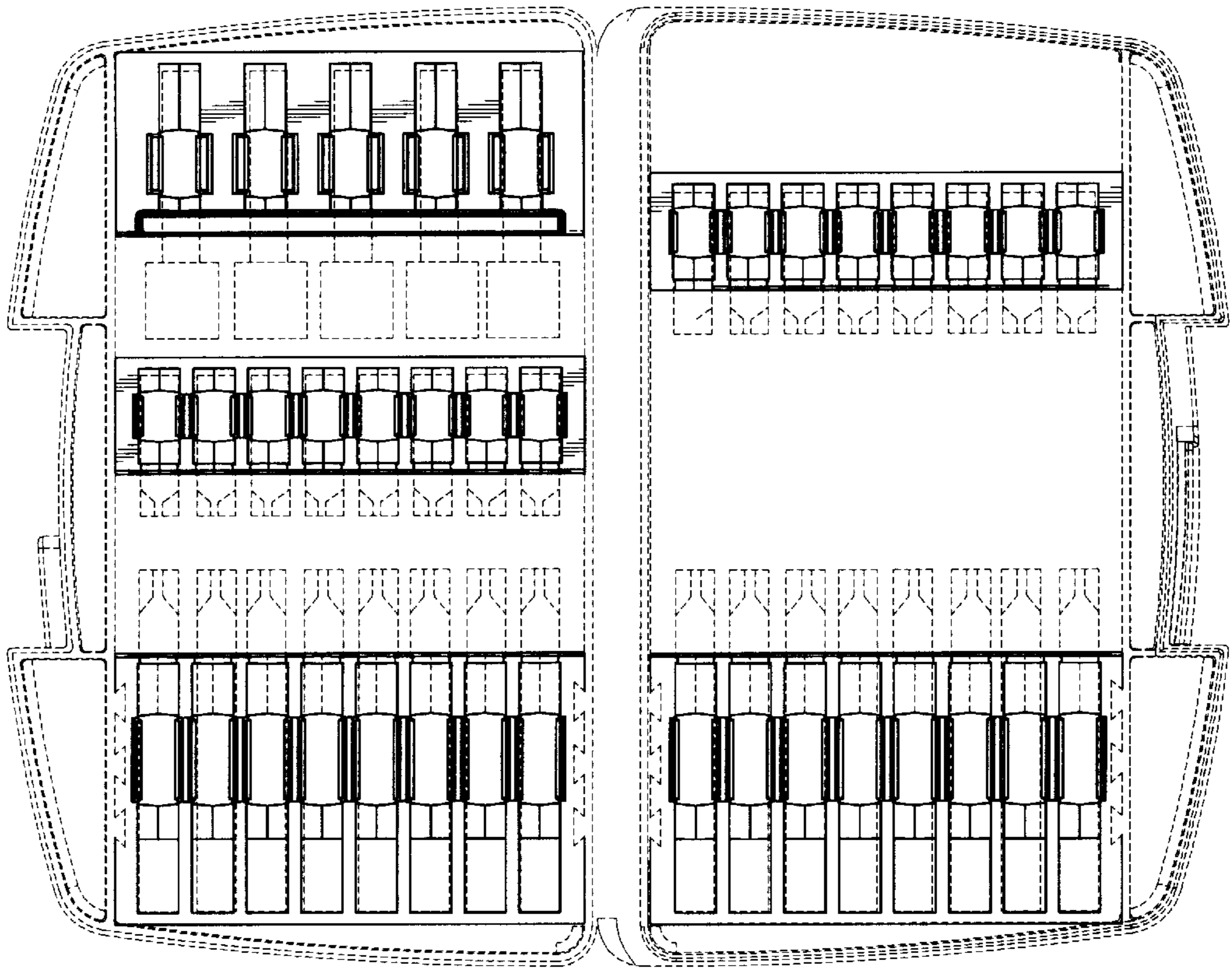


Fig-1

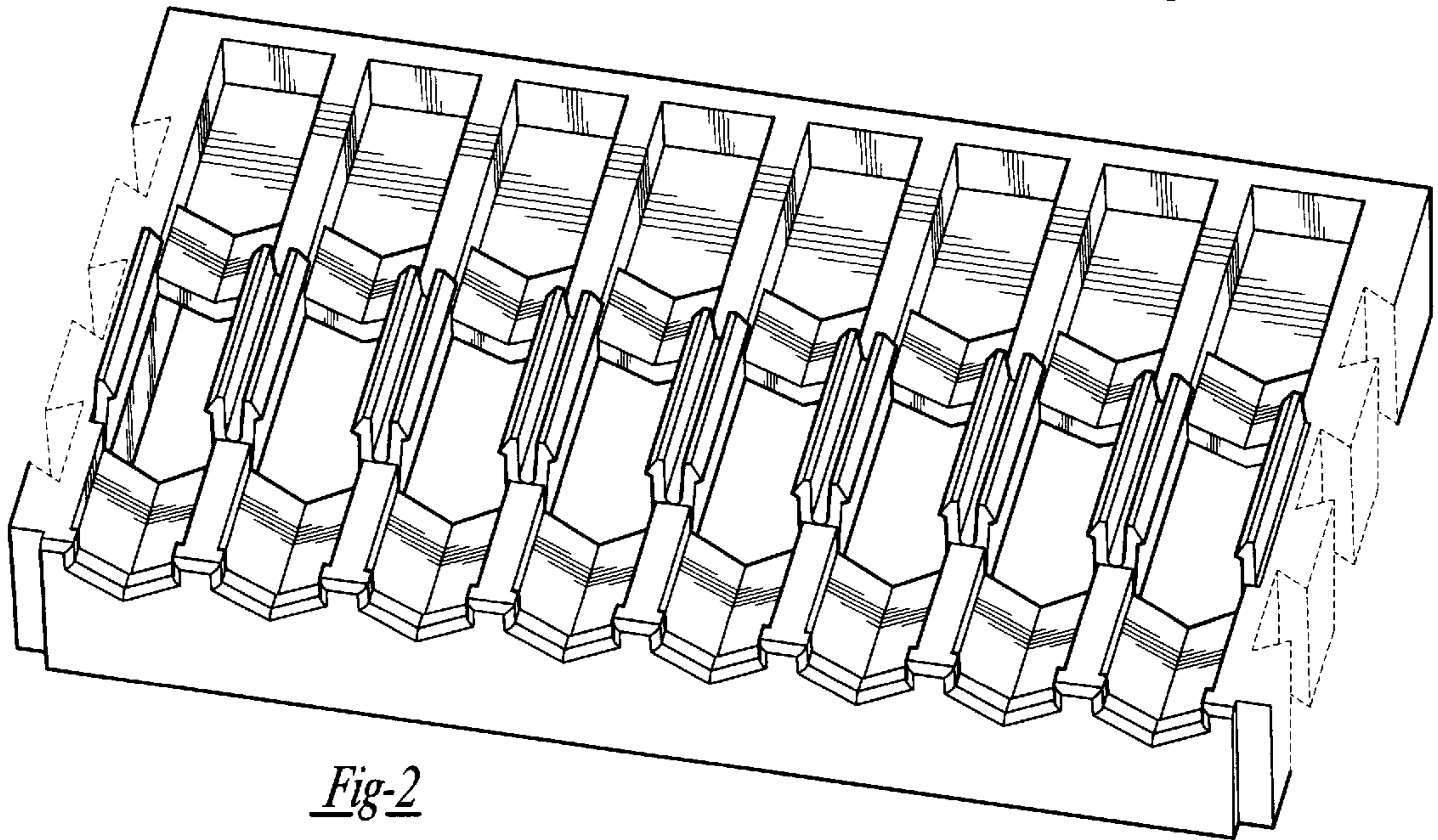


Fig-2

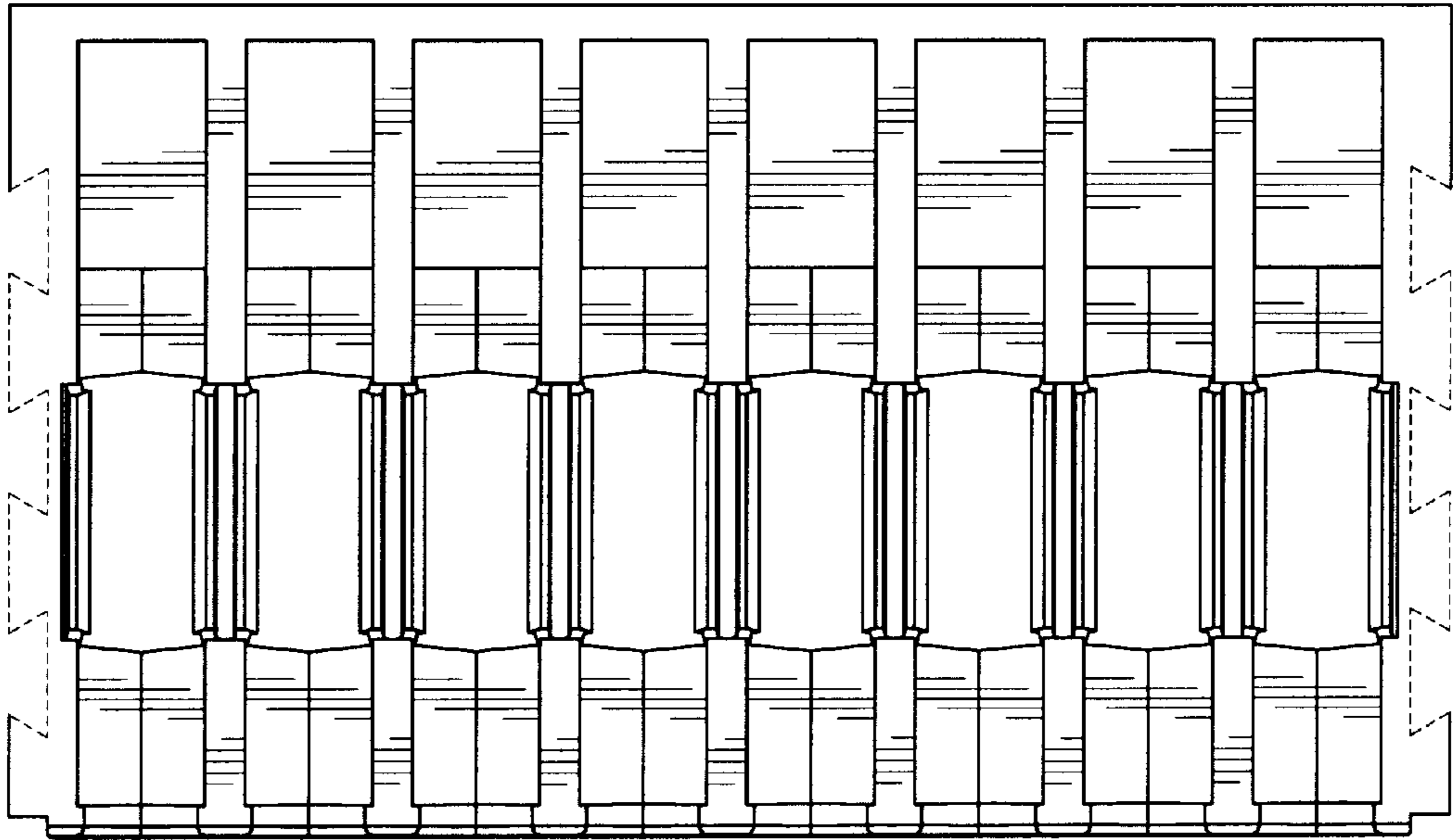


Fig-3

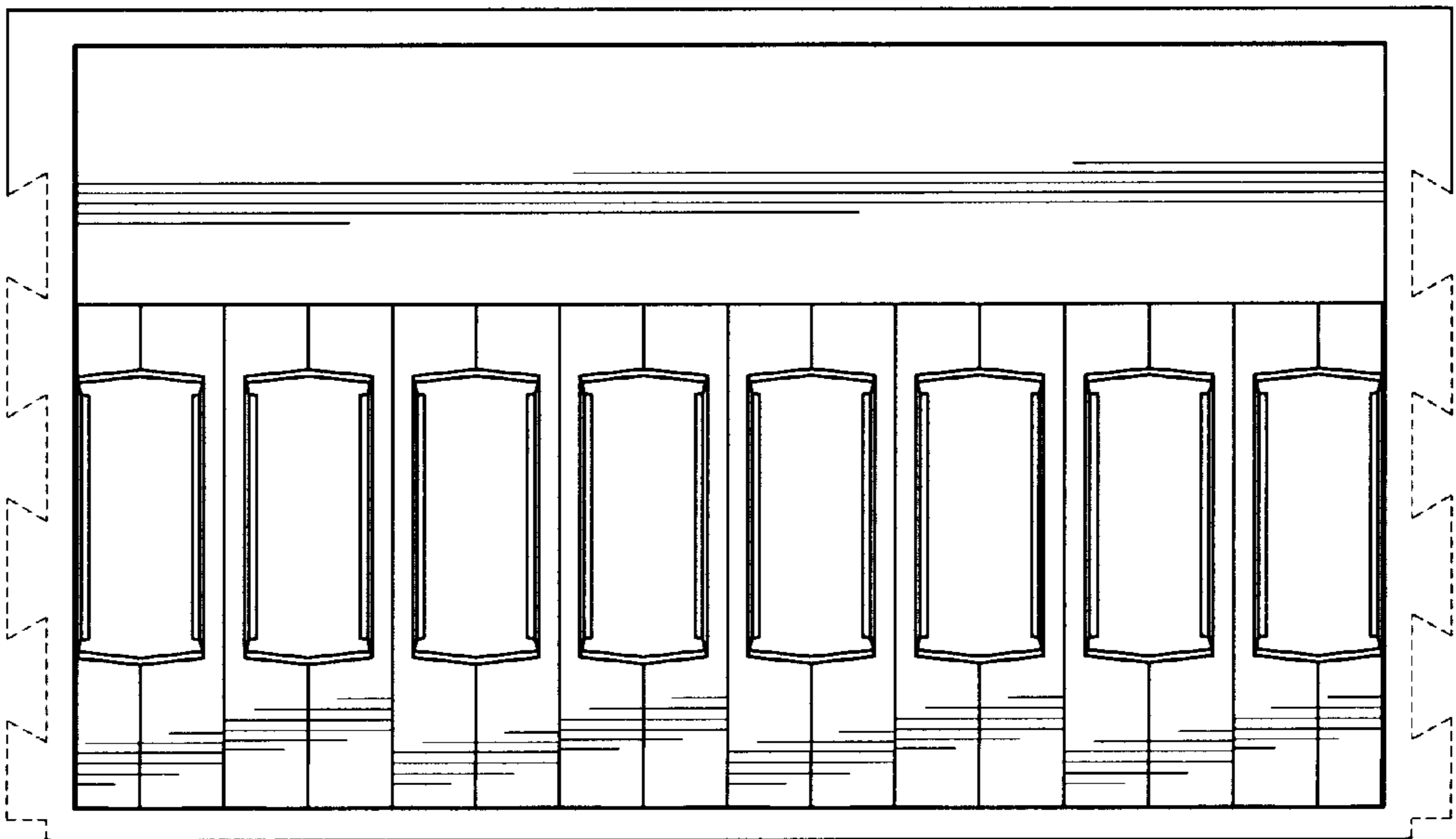


Fig-4

Fig-5

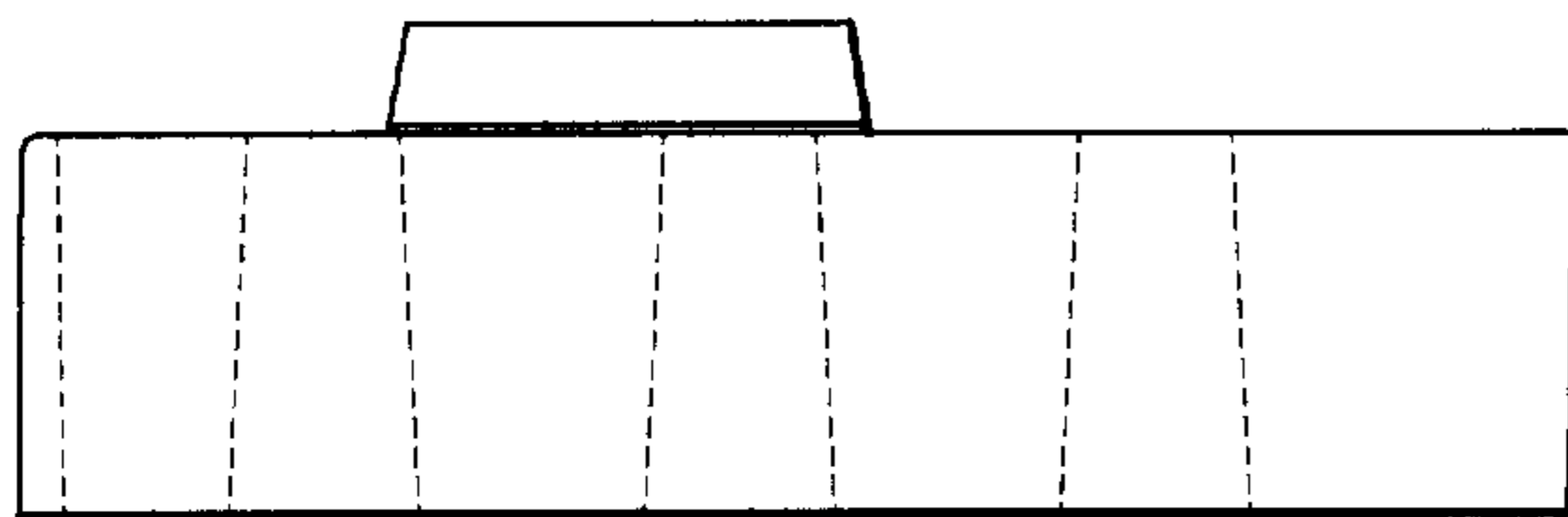
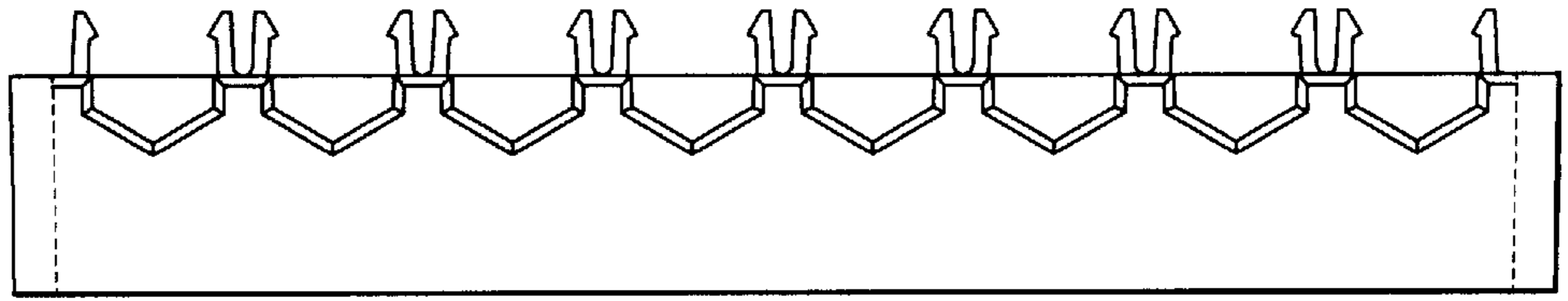


Fig-6

Fig-7

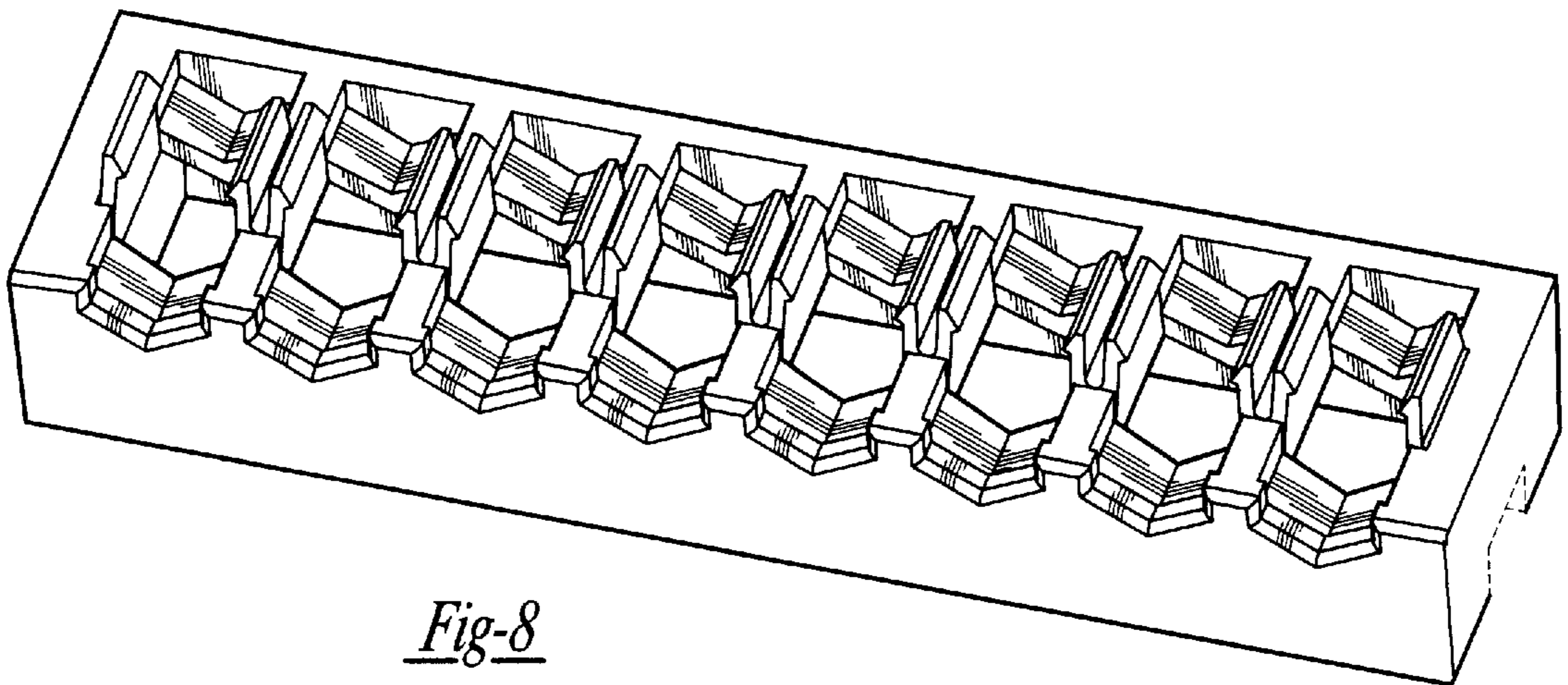
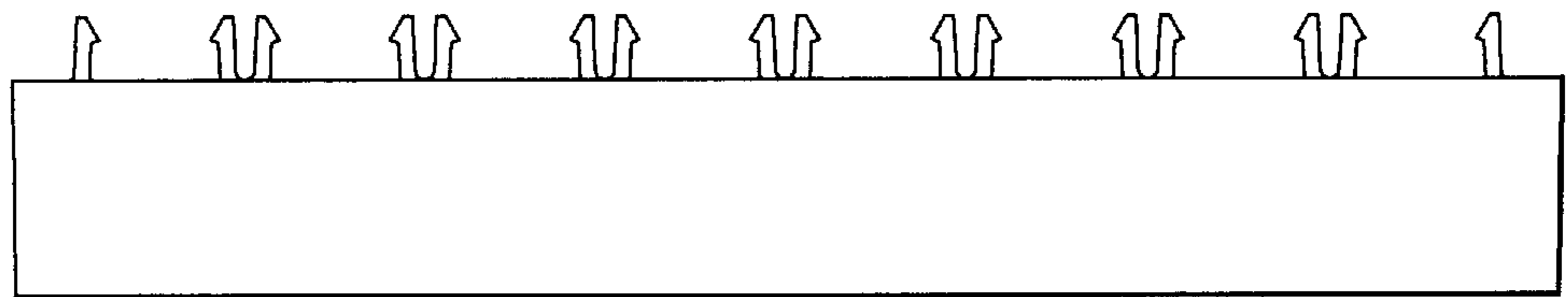


Fig-8

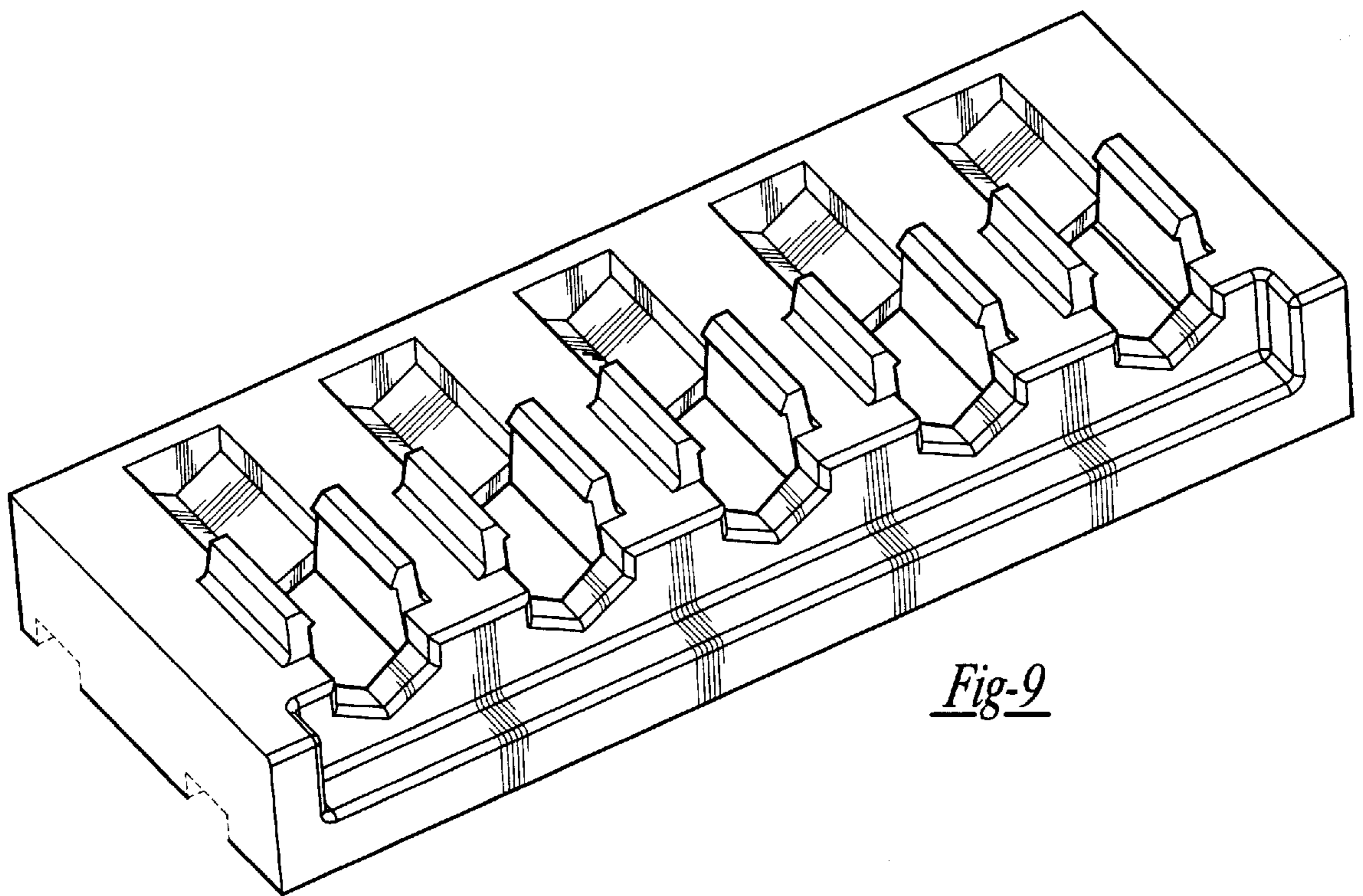


Fig-9