

US00D432773S

United States Patent [19]

Debiase

[11] **Patent Number: Des. 432,773**

[45] **Date of Patent: ** Oct. 31, 2000**

[54] **CASUAL FOOTWEAR**

[75] **Inventor: Max Debiase, Boca Raton, Fla.**

[73] **Assignee: BBC International, Ltd., Boca Raton, Fla.**

[**] **Term: 14 Years**

[21] **Appl. No.: 29/113,971**

[22] **Filed: Nov. 15, 1999**

[51] **LOC (7) Cl. 02-99**

[52] **U.S. Cl. D2/972; D2/977**

[58] **Field of Search** D2/896, 902, 907, D2/929, 943, 944, 969, 970, 972, 973, 977; 36/45, 50.1, 51, 77 M, 77 R, 83, 88, 89, 113, 114, 126-130

[56] **References Cited**

U.S. PATENT DOCUMENTS

D. 33,014 7/1900 Clap D2/977
D. 98,054 1/1936 Collela D2/929

D. 100,672 8/1936 Samuels D2/929
D. 133,903 9/1942 Tweedie D2/977
D. 272,012 1/1984 Trevisani D2/972
2,036,963 4/1936 Frohlich 36/45
3,494,063 2/1970 Kennedy D2/977

Primary Examiner—Dominic Simone
Attorney, Agent, or Firm—John Chiatelas; Marguerite Del Valle

[57] CLAIM

I claim the ornamental design for the casual footwear, as shown and described.

DESCRIPTION

FIG. 1 is a top plan view of the casual footwear showing my new design.

FIG. 2 is a left side view thereof.

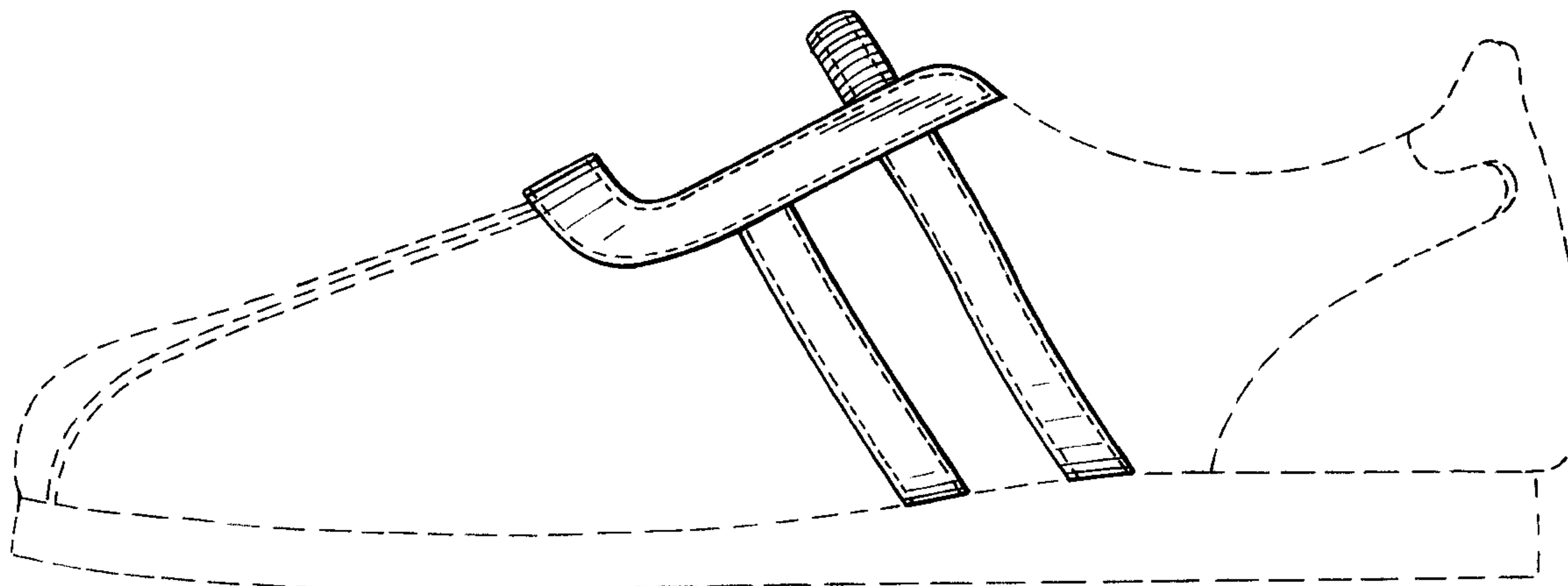
FIG. 3 is a front plan view thereof.

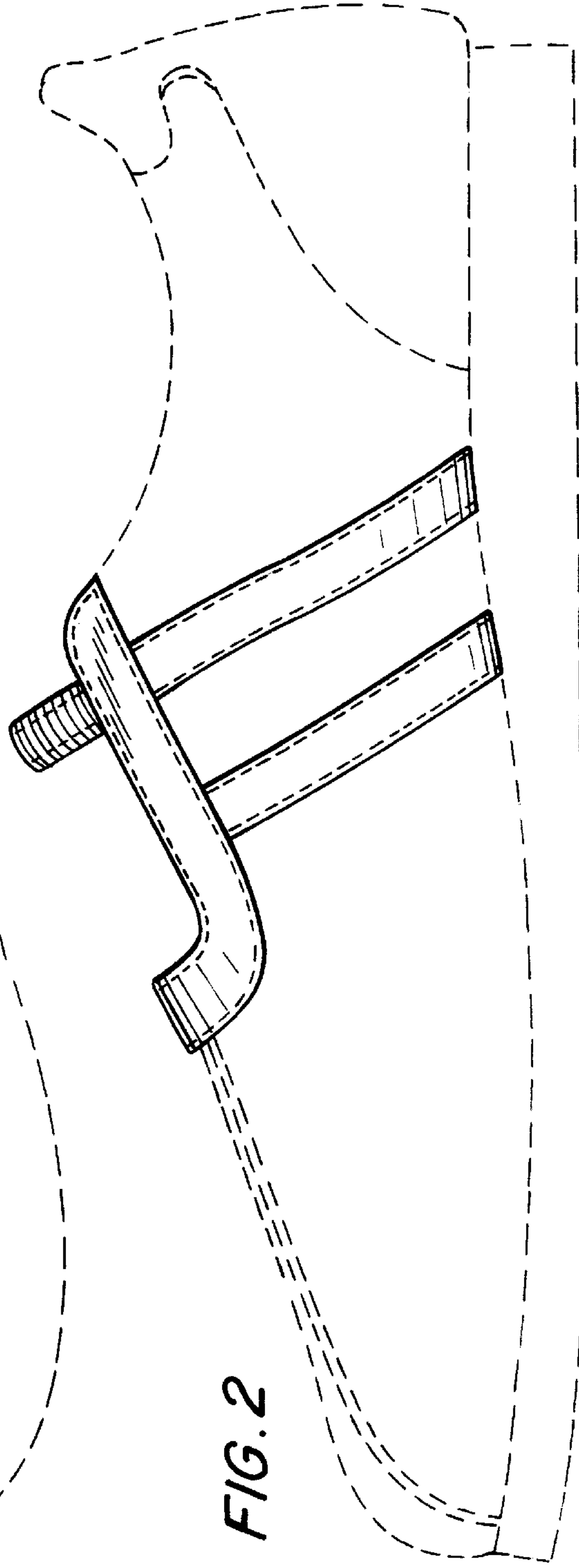
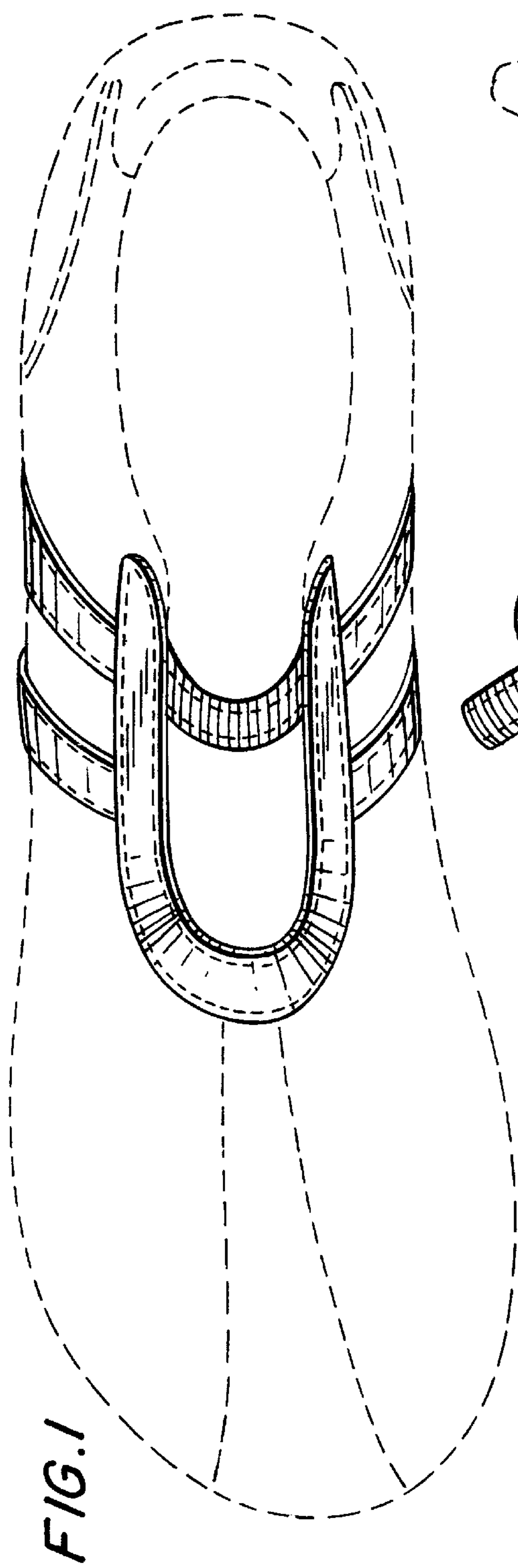
FIG. 4 is a right side view thereof.

FIG. 5 is a rear plan view thereof; and,

FIG. 6 is a bottom plan view thereof.

1 Claim, 3 Drawing Sheets





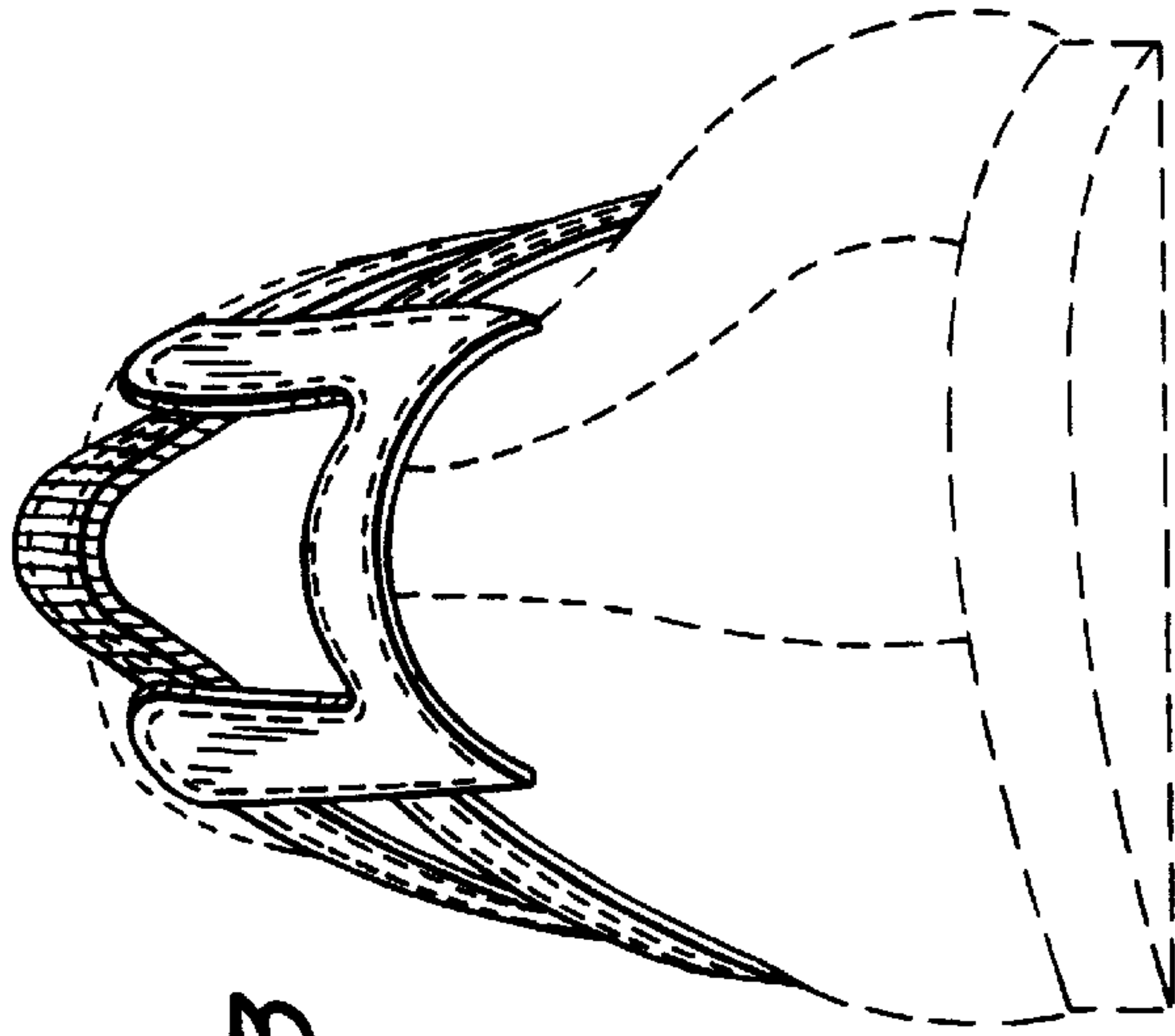


FIG. 3

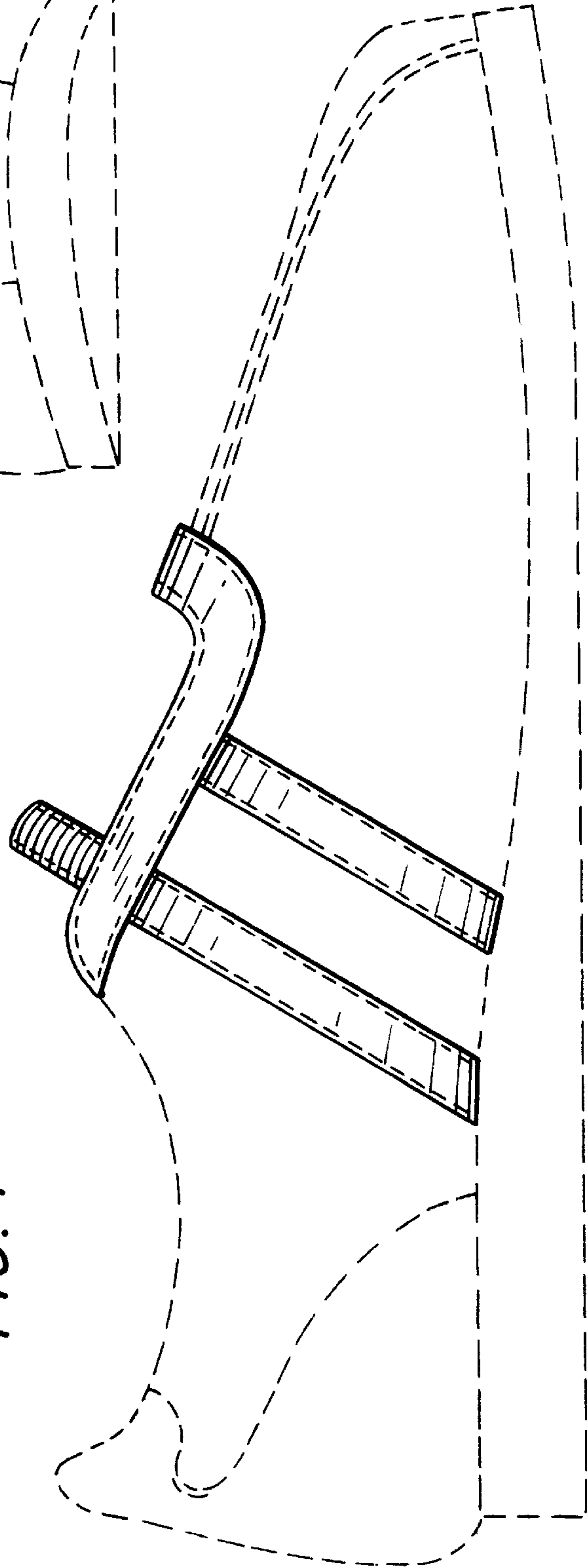


FIG. 4

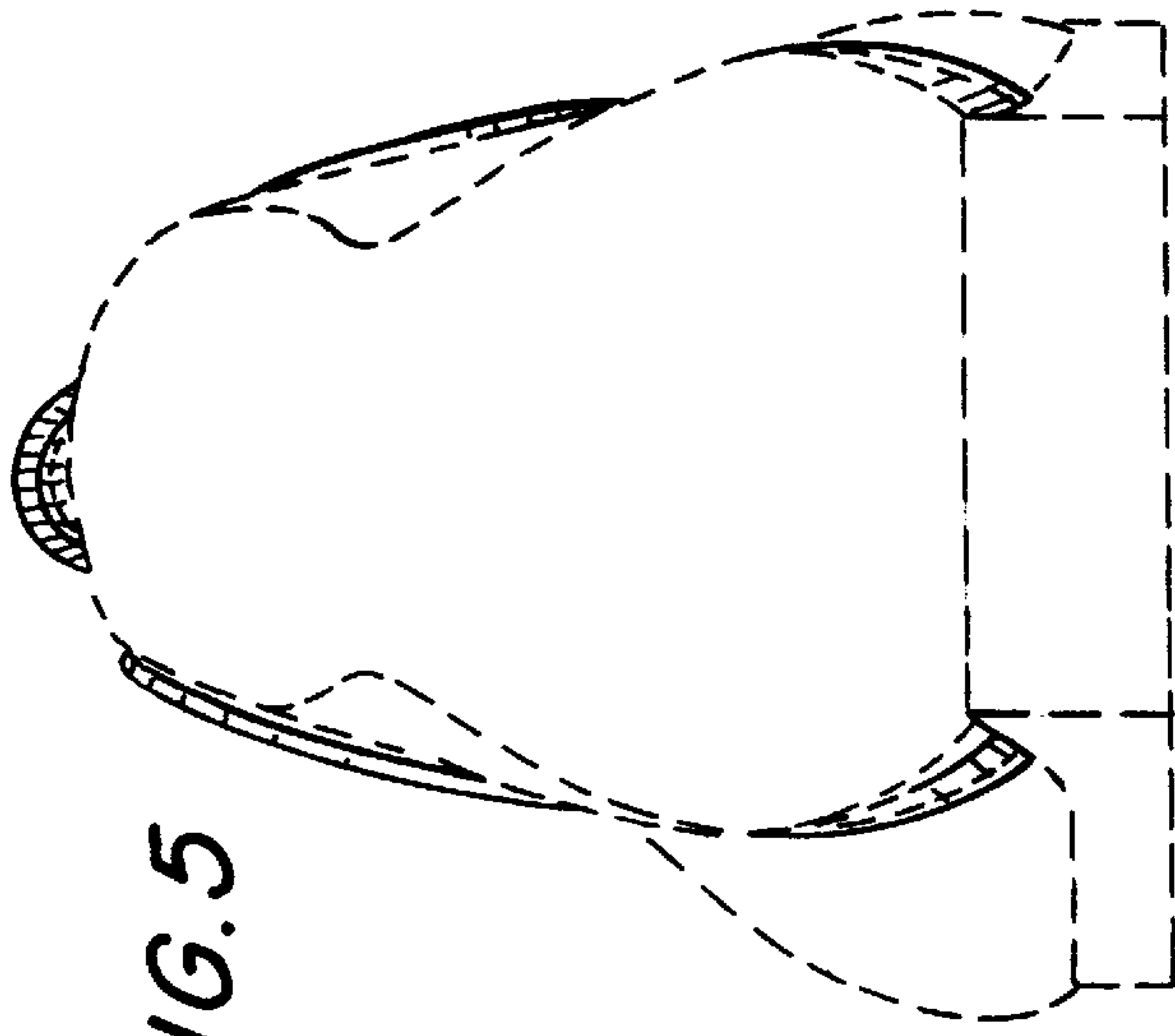


FIG. 5

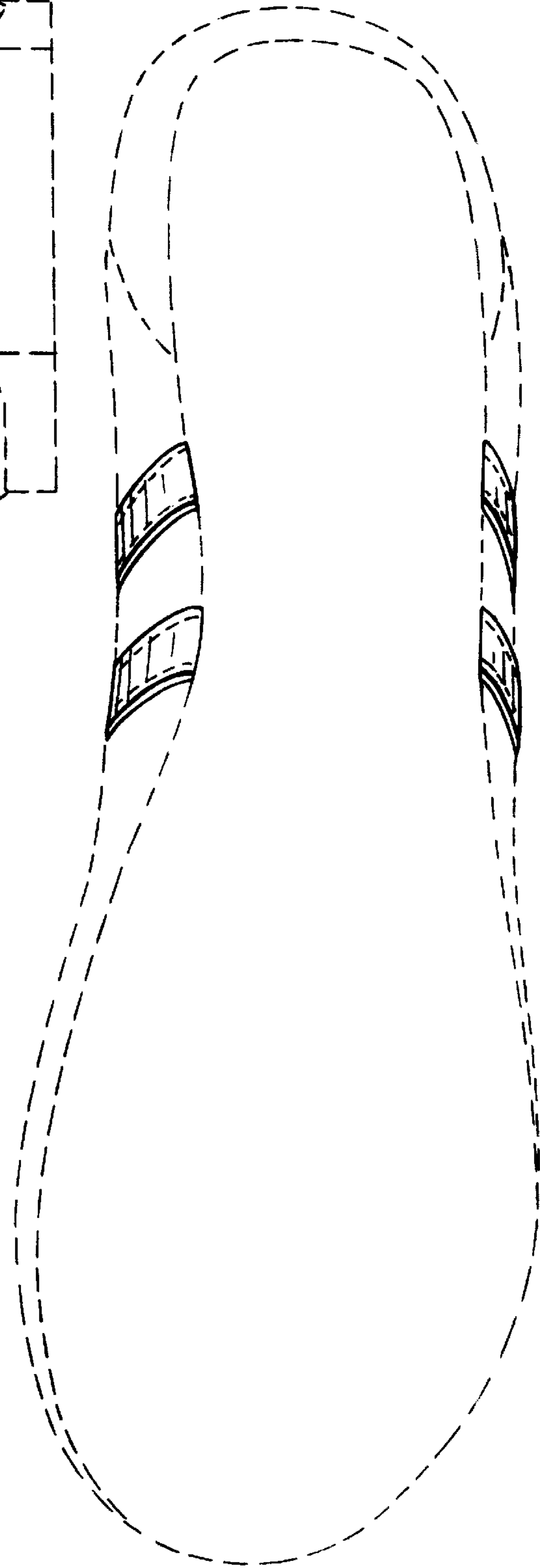


FIG. 6