



US00D432753S

# United States Patent [19] Braud

[11] Patent Number: Des. 432,753

[45] Date of Patent: \*\* Oct. 24, 2000

[54] FORKLIFT VEHICLE

[75] Inventor: Marcel-Claude Braud, Champtoceaux, France

[73] Assignee: Manitou BF, Ancenis, France

[\*\*] Term: 14 Years

[21] Appl. No.: 29/102,462

[22] Filed: Mar. 24, 1999

### [30] Foreign Application Priority Data

Sep. 25, 1998 [XH] Hague Agreement ..... DM/045301

[51] LOC (7) Cl. .... 12-05

[52] U.S. Cl. .... D34/34

[58] Field of Search ..... D34/34, 35, 37;  
D12/14-15, 93, 94; 180/89.12, 89.17, 89.14;  
280/402; 414/579, 785, 607

### [56] References Cited

#### U.S. PATENT DOCUMENTS

D. 139,759	12/1944	Johnson	.....	D34/34
D. 222,694	12/1971	Goodacre	.....	D34/34
D. 327,356	6/1992	Laatsch	.....	D34/34
D. 346,259	4/1994	Laatsch	.....	D34/34
D. 354,604	1/1995	Soederberg	.....	D34/34
D. 361,645	8/1995	Heiler	.....	D34/34

D. 362,099	9/1995	Heiler	.....	D34/34
D. 379,020	4/1997	Avitan	.....	D34/34
D. 393,516	4/1998	Hahn et al.	.....	D34/34
D. 393,517	4/1998	Kim et al.	.....	D34/34
D. 395,532	6/1998	Kim	.....	D34/34
D. 396,928	8/1998	Hahn et al.	.....	D34/34
4,024,973	5/1977	Siderits et al.	.....	280/402
4,043,472	8/1977	Hoyt	.....	180/89.12
4,095,714	6/1978	Schuster	.....	180/89.17 X
5,560,451	10/1996	Hincks	.....	414/785

Primary Examiner—Susan J. Lucas  
Assistant Examiner—Cynthia Ramirez  
Attorney, Agent, or Firm—Finnegan, Henderson, Farabow, Garrett & Dunner, L.L.P.

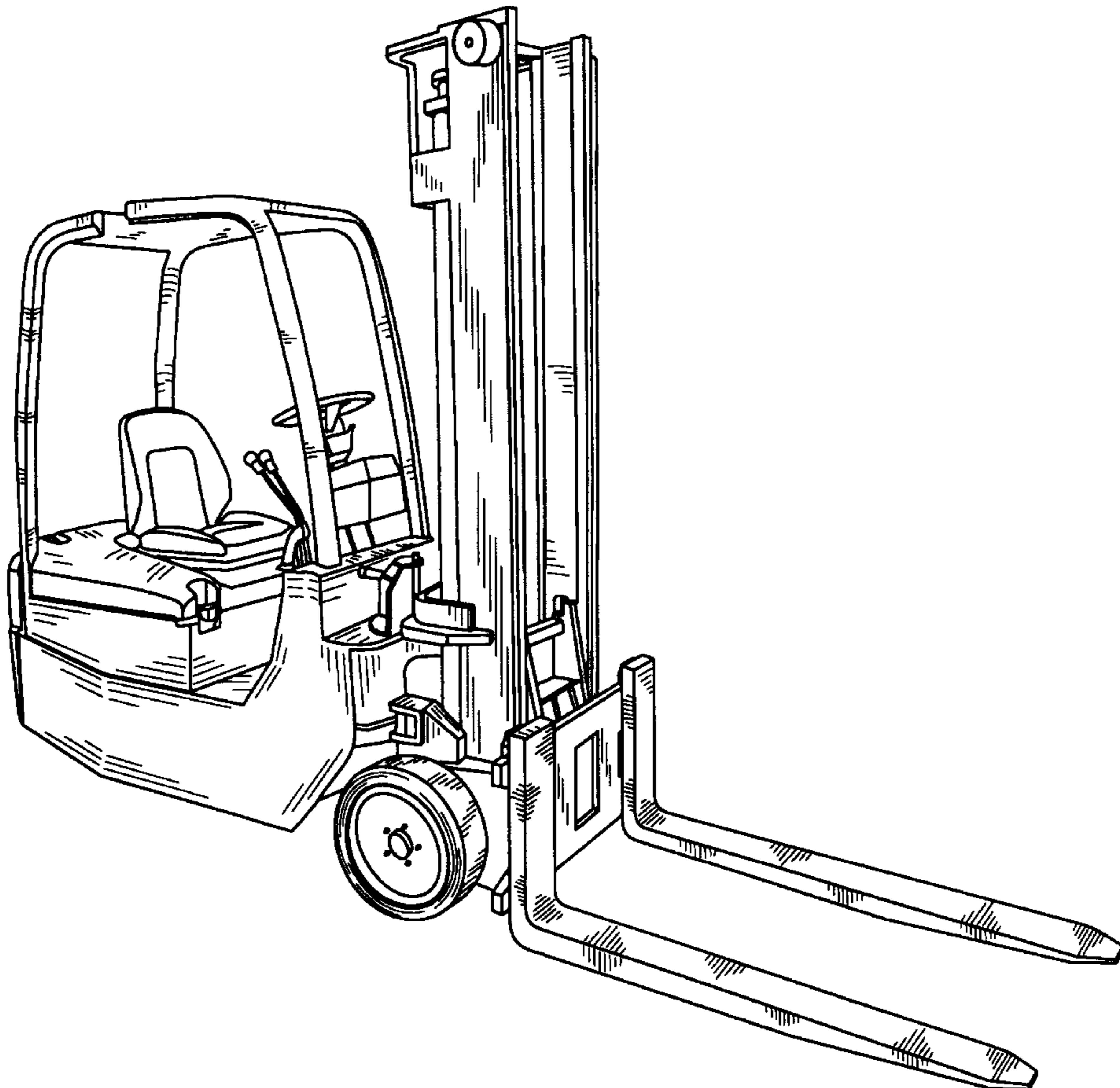
### [57] CLAIM

The ornamental design for a forklift vehicle, as shown and described.

### DESCRIPTION

FIG. 1 is a perspective view of the forklift vehicle of my design;  
FIG. 2 is a left side view of the vehicle;  
FIG. 3 is a right side view of the vehicle;  
FIG. 4 is a top view of the vehicle;  
FIG. 5 is a front view of the vehicle;  
FIG. 6 is a rear view of the vehicle; and,  
FIG. 7 is a bottom view of the vehicle.

1 Claim, 7 Drawing Sheets



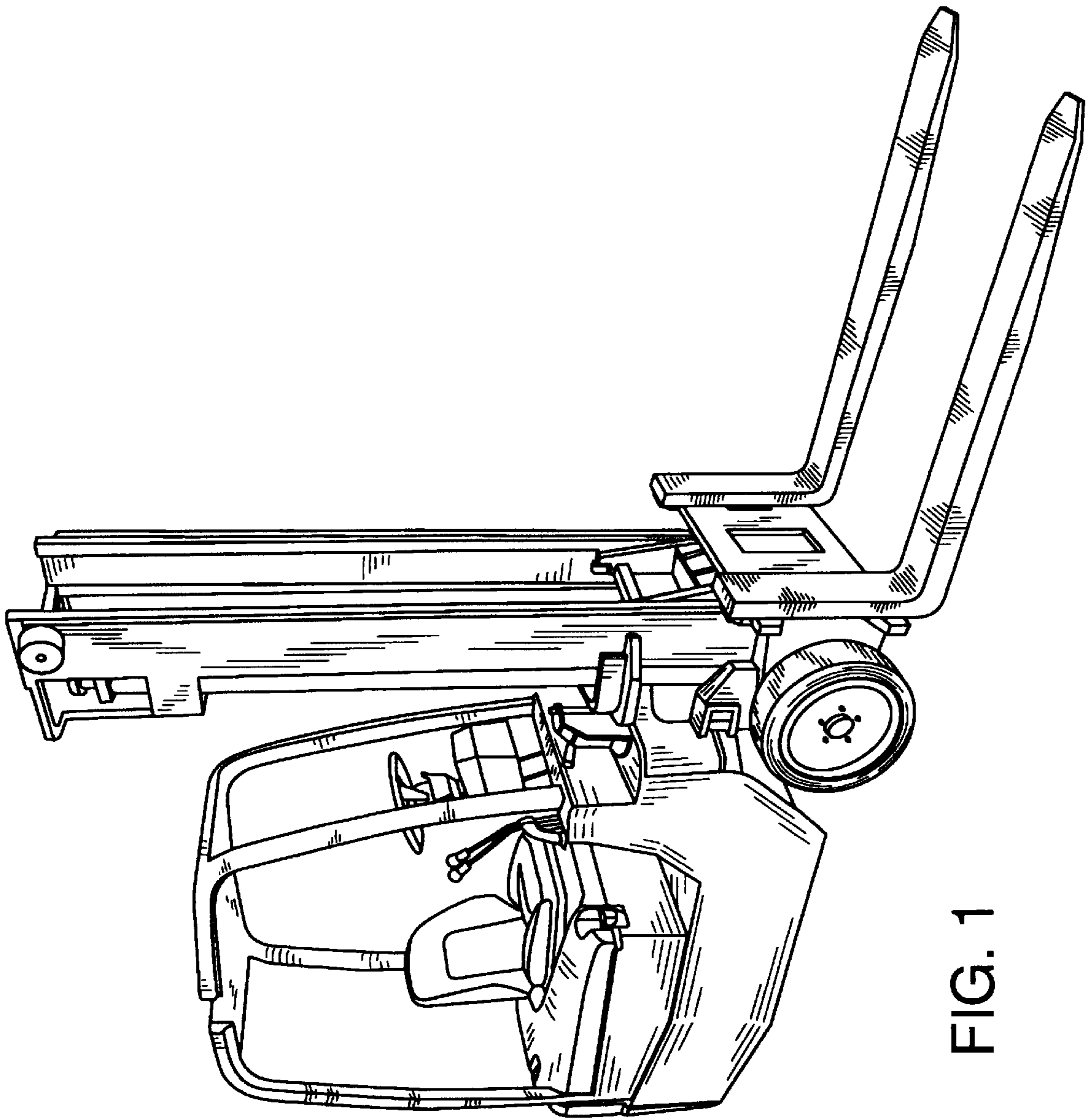
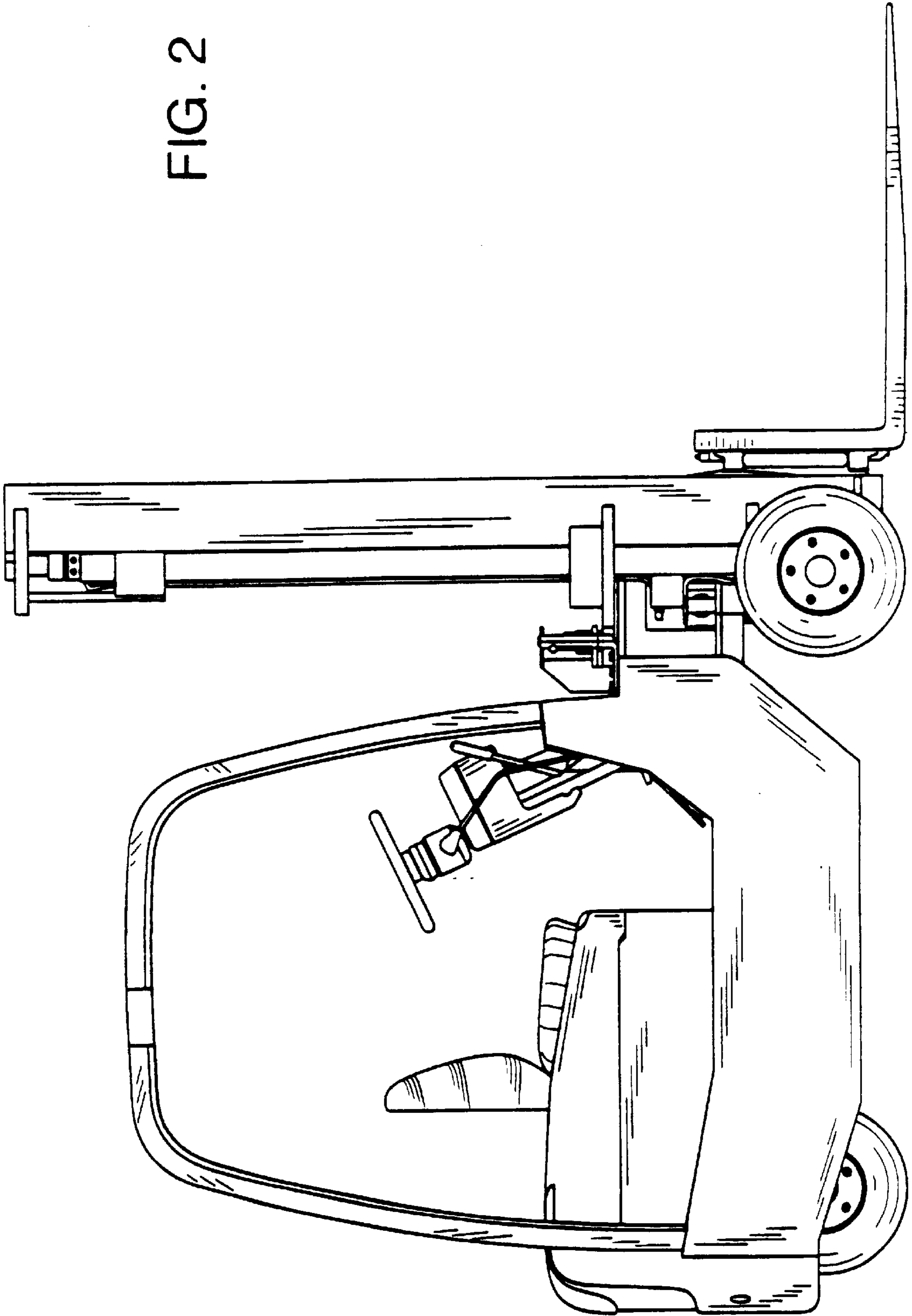


FIG. 1

FIG. 2



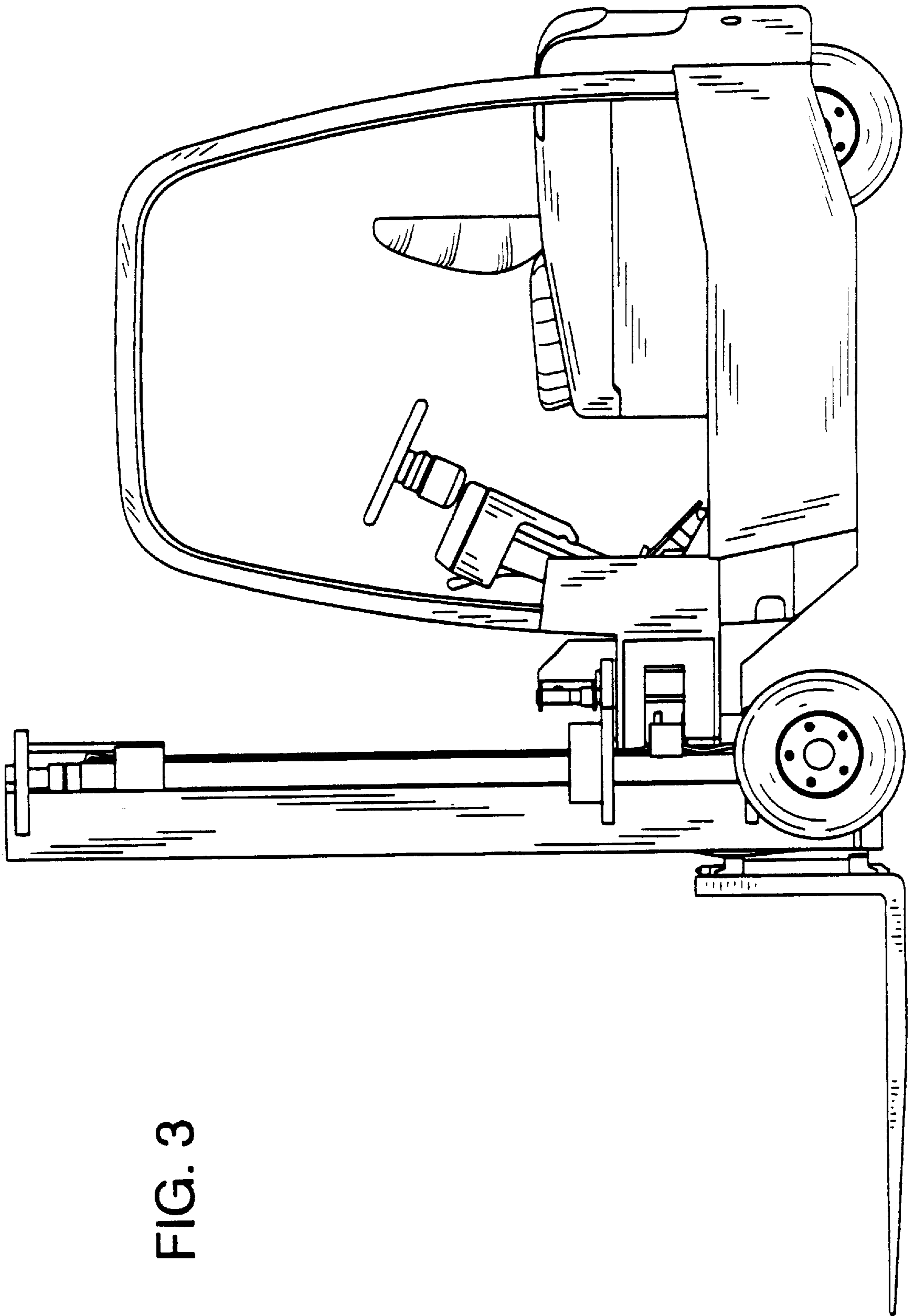


FIG. 3

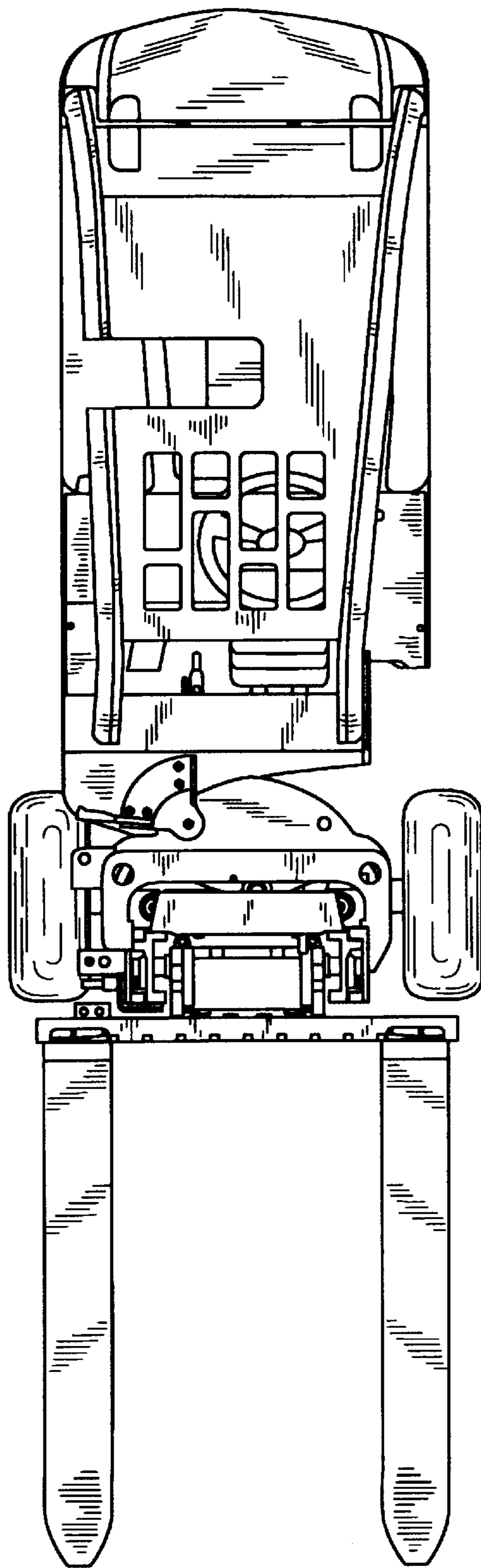


FIG. 4

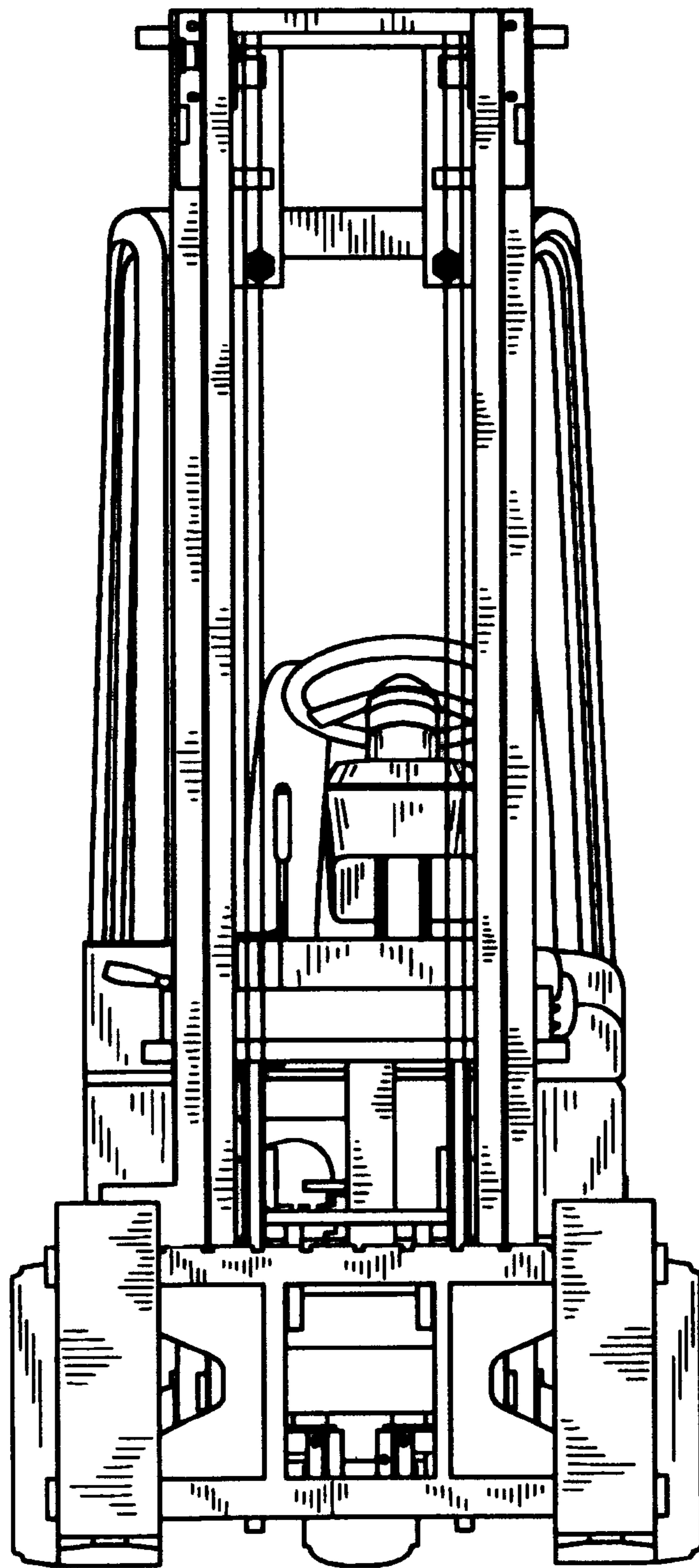


FIG. 5

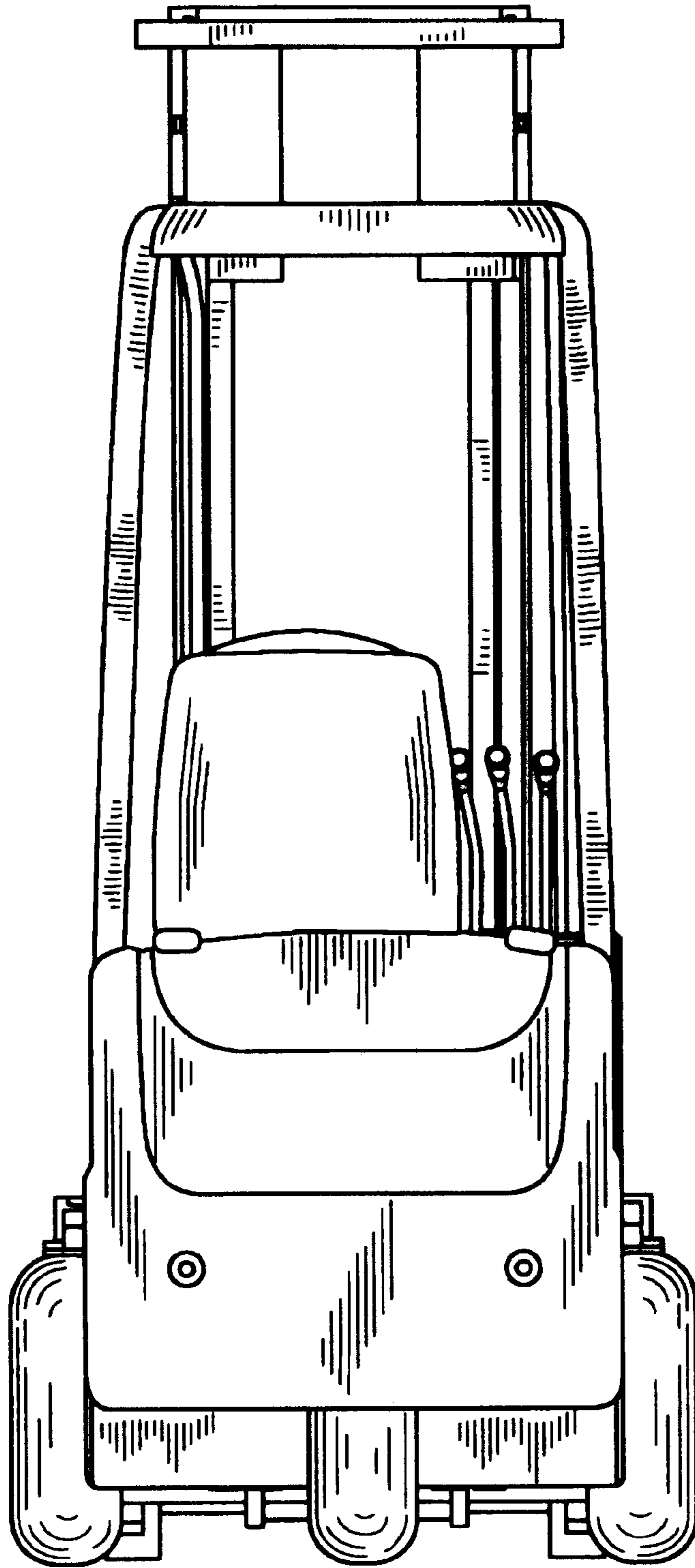


FIG. 6

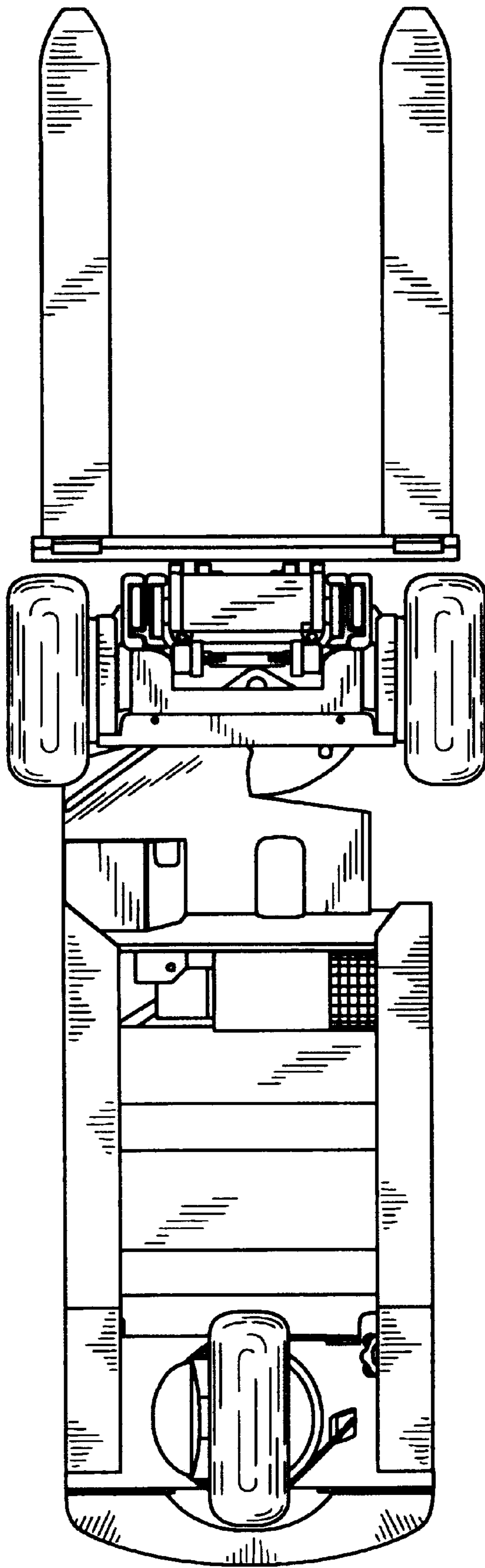


FIG. 7