



US00D432747S

**United States Patent** [19]  
**Kunkler**

[11] **Patent Number: Des. 432,747**

[45] **Date of Patent: \*\* Oct. 24, 2000**

[54] **BOTTLE FITMENT**  
[75] Inventor: **Jeffery Scott Kunkler**, Chicago, Ill.  
[73] Assignee: **The Procter & Gamble Company**, Cincinnati, Ohio  
[\*\*] Term: **14 Years**  
[21] Appl. No.: **29/097,132**  
[22] Filed: **Nov. 30, 1998**  
[51] **LOC (7) Cl.** ..... **15-01**  
[52] **U.S. Cl.** ..... **D32/25**  
[58] **Field of Search** ..... D32/25, 45; 401/136, 401/137, 138, 140; 222/325, 333, 259, 318

3,953,902 5/1976 Taylor ..... 4/227  
3,995,772 12/1976 Liautaud ..... 222/83.5  
4,079,865 3/1978 Kutik ..... 222/259  
4,109,832 8/1978 Kutik et al. .... 222/316  
4,119,386 10/1978 Cushing ..... 401/138  
4,163,500 8/1979 Gunne et al. .... 215/260  
4,173,295 11/1979 Steinman ..... 222/81  
4,209,488 6/1980 Breno ..... 422/101  
4,243,150 1/1981 Gunne et al. .... 215/247  
4,481,986 11/1984 Meyers ..... 141/4  
4,506,807 3/1985 Anderson ..... 222/181  
4,572,397 2/1986 Arens ..... 220/270  
4,699,188 10/1987 Baker et al. .... 141/18  
4,728,006 3/1988 Drobish et al. .... 222/181  
4,747,518 5/1988 Laauwe ..... 222/153  
4,767,033 8/1988 Gemperie ..... 222/383  
4,863,299 9/1989 Osberghaus et al. .... 401/15

(List continued on next page.)

[56] **References Cited**

**U.S. PATENT DOCUMENTS**

Re. 21,699 1/1941 Monnier ..... 215/37  
D. 396,908 8/1998 Beechuk et al. .... D32/45  
D. 401,703 11/1998 Beechuk et al. .... D32/45  
1,241,352 9/1917 Doering et al. .  
1,319,376 10/1919 Cooper .  
1,337,206 4/1920 Doering et al. .  
1,715,632 6/1929 Wertheimer .  
2,053,282 9/1936 Gewalt .  
2,137,944 11/1938 MacLeod .  
2,187,671 1/1940 Suddarth .  
2,470,837 5/1949 Polson .  
2,618,799 11/1952 Barbato .  
2,842,276 7/1958 Butler ..... 215/79  
3,011,722 12/1961 Federichi et al. .... 239/61  
3,055,367 9/1962 Thorstad ..... 128/272  
3,085,601 4/1963 Zellweger ..... 141/293  
3,092,106 6/1963 Butler ..... 128/214  
3,094,152 6/1963 Kenny et al. .  
3,099,028 7/1963 Ardito .  
3,131,712 5/1964 Risley et al. .... 137/318  
3,166,096 1/1965 Lang ..... 137/564.5  
3,188,669 6/1965 Beardslee .  
3,200,994 8/1965 Levinson et al. .... 222/82  
3,278,974 10/1966 Nighswander .  
3,392,859 7/1968 Fischer ..... 215/39  
3,542,240 11/1970 Solowey ..... 222/83  
3,685,694 8/1972 Ianelli ..... 222/82  
3,826,408 7/1974 Berndt et al. .... 222/70

**FOREIGN PATENT DOCUMENTS**

746231 11/1966 Canada .  
1 269 210 5/1990 Canada ..... 15/8  
2225303 6/1998 Canada .  
0365770 5/1990 European Pat. Off. .  
1031533 6/1958 Germany .  
3439388 4/1986 Germany .  
WO95/32059 11/1995 WIPO .

*Primary Examiner*—Mitchell Siegel  
*Attorney, Agent, or Firm*—Elizabeth M. Koch; James C. Vago

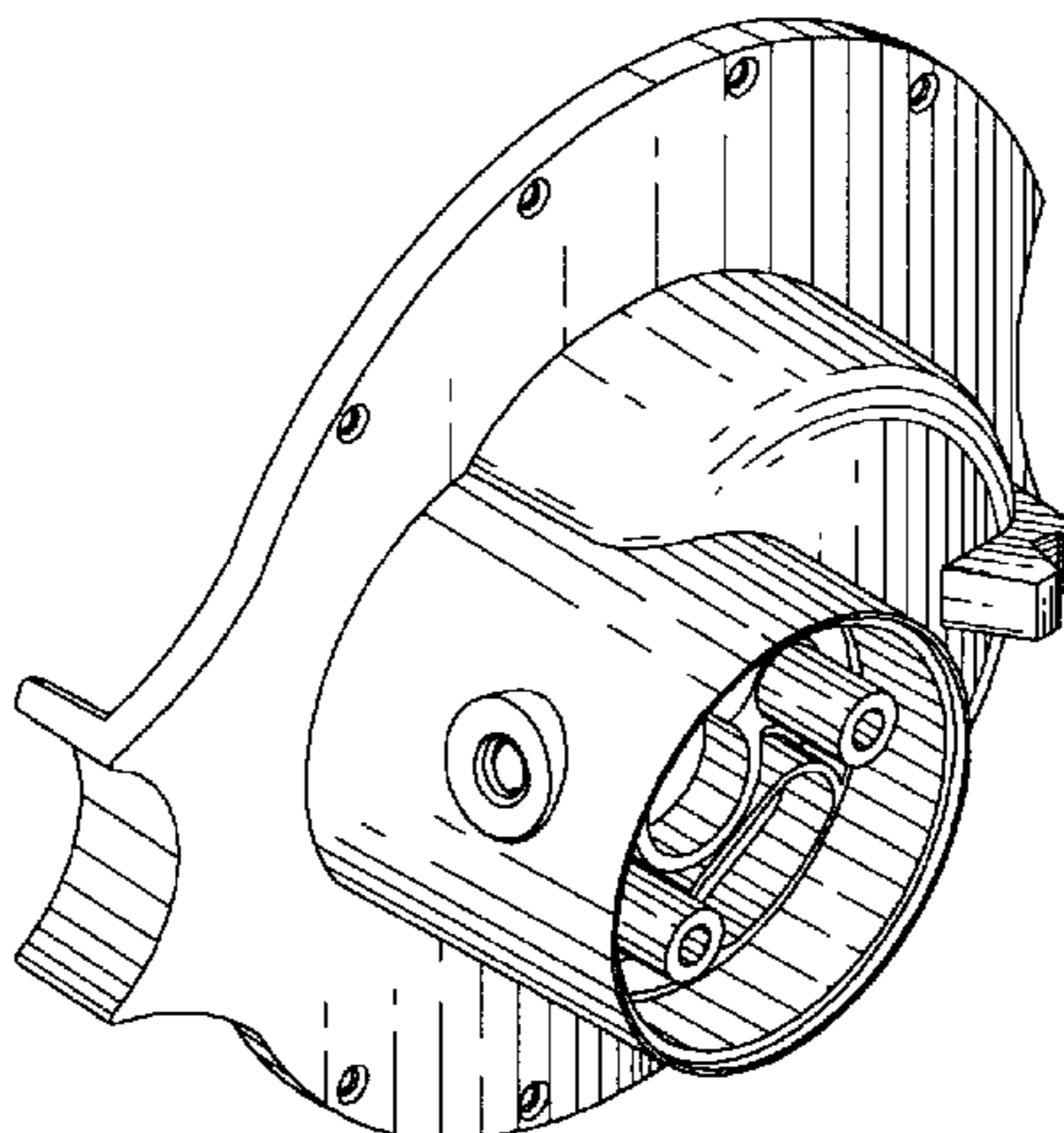
[57] **CLAIM**

The ornamental design for a bottle fitment, as shown and described.

**DESCRIPTION**

FIG. 1 is a perspective view of a bottle fitment, embodying our new design;  
FIG. 2 is a left side elevational view thereof;  
FIG. 3 is a right side elevational view thereof;  
FIG. 4 is a front elevational view thereof;  
FIG. 5 is a bottom view thereof;  
FIG. 6 is a back elevational view thereof; and,  
FIG. 7 is a top view thereof.

**1 Claim, 2 Drawing Sheets**



U.S. PATENT DOCUMENTS

4,874,023	10/1989	Ulm .....	141/346	5,092,699	3/1992	Silvenis .....	401/21
4,921,150	5/1990	Lagergren et al. ....	222/639	5,244,124	9/1993	Raffo .....	222/325
4,971,471	11/1990	Sloan .....	401/203	5,397,034	3/1995	Wunsch .....	222/333
5,014,884	5/1991	Wunsch .....	222/333	5,472,122	12/1995	Appleby .....	222/212
5,020,220	6/1991	Miyake et al. ....	30/2	5,526,963	6/1996	Smith .....	222/321.8
5,031,675	7/1991	Lindgren .....	141/291	5,636,402	6/1997	Kubo et al. ....	15/98
5,086,950	2/1992	Crossdale et al. ....	222/88	5,735,959	4/1998	Kubo et al. ....	118/663
				5,888,006	3/1999	Ping et al. ....	401/137

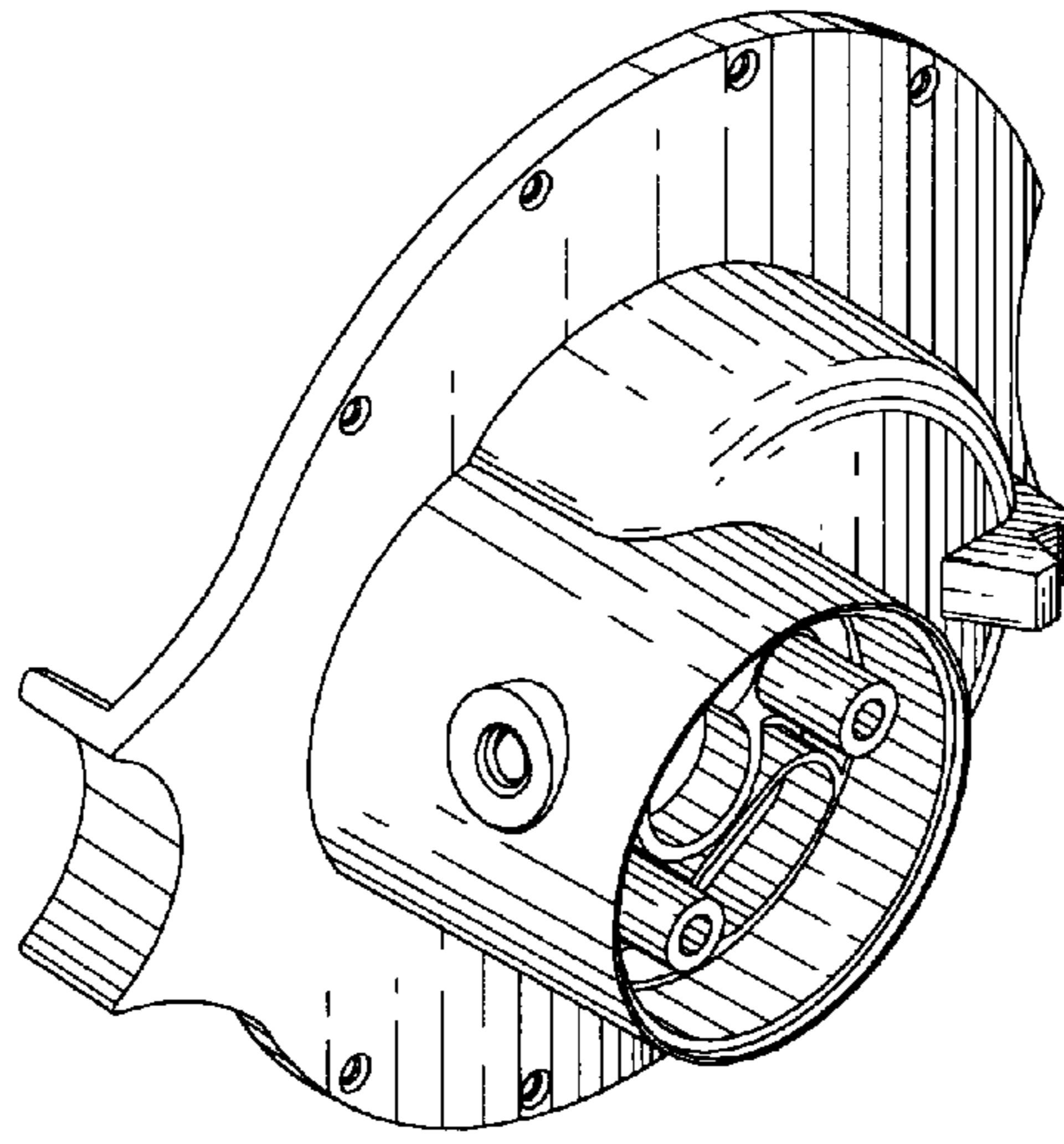


Fig. 1

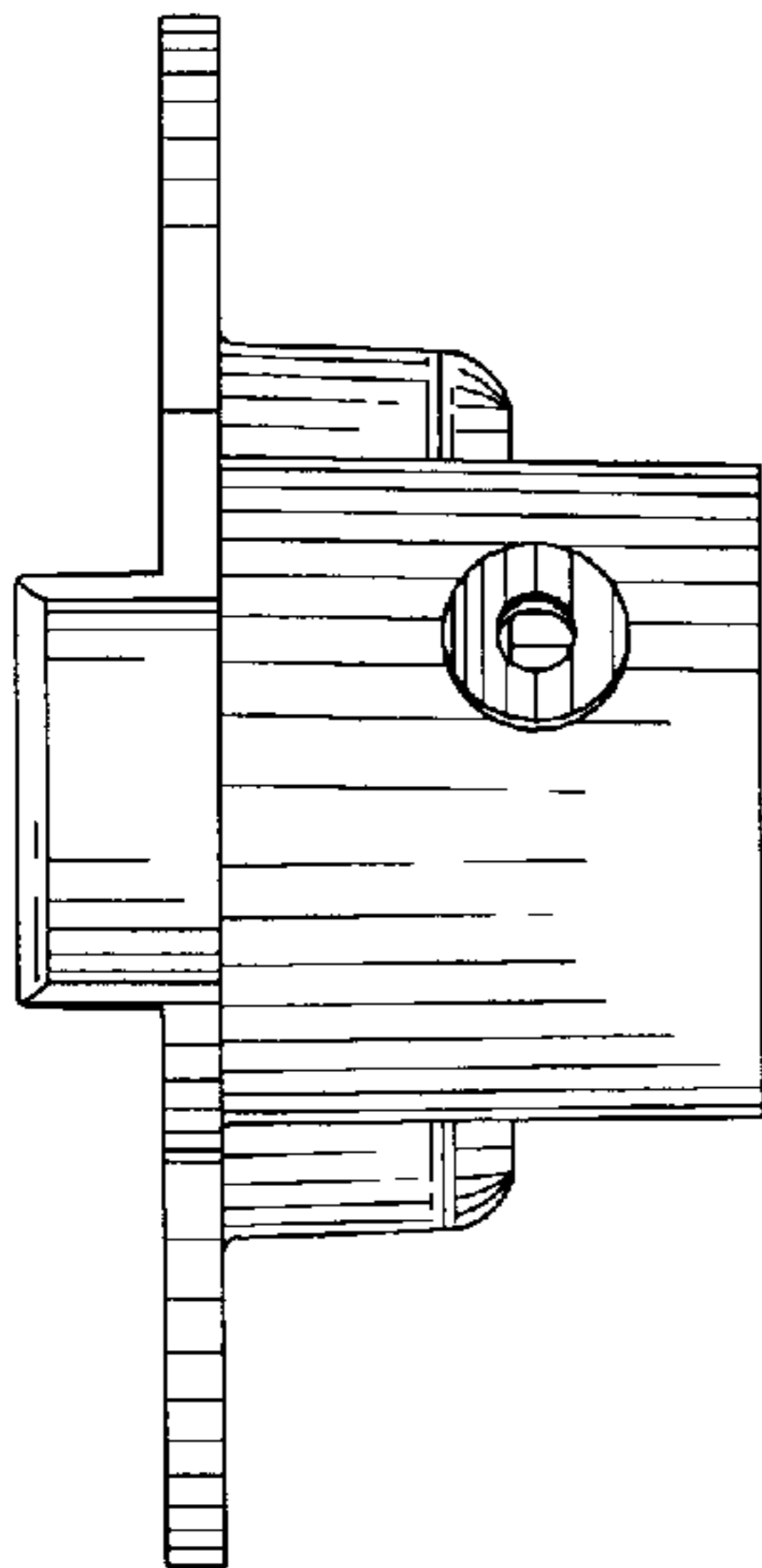


Fig. 2

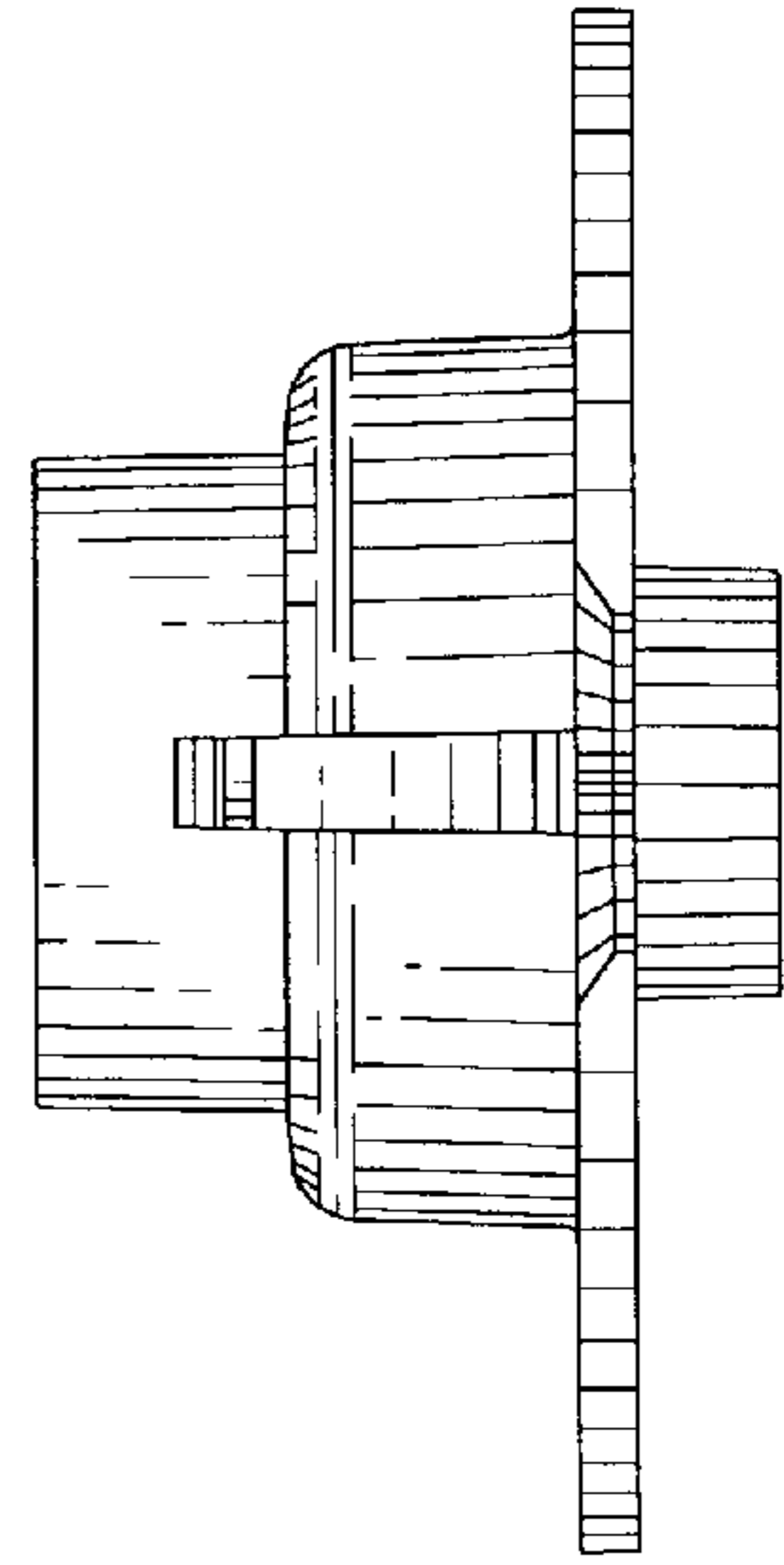


Fig. 3

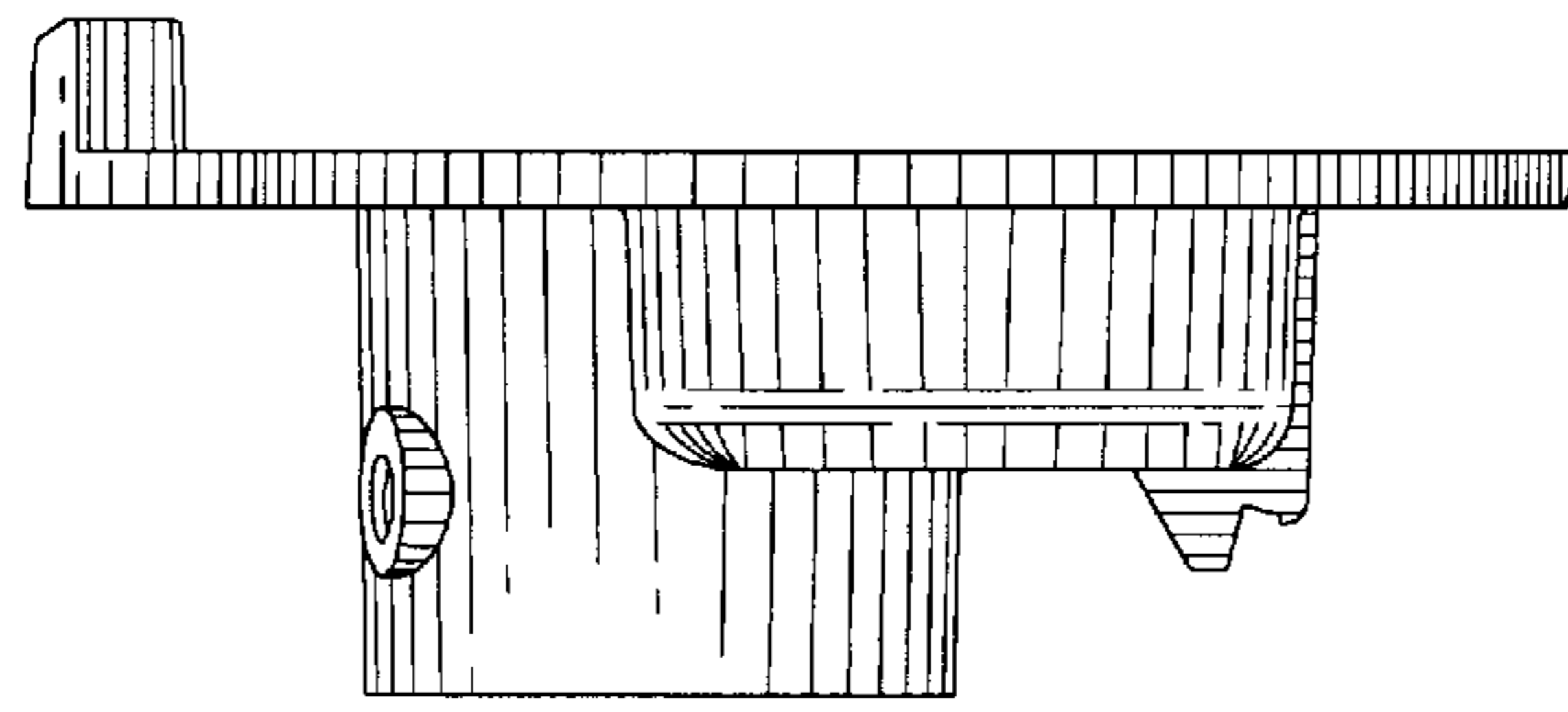


Fig. 4

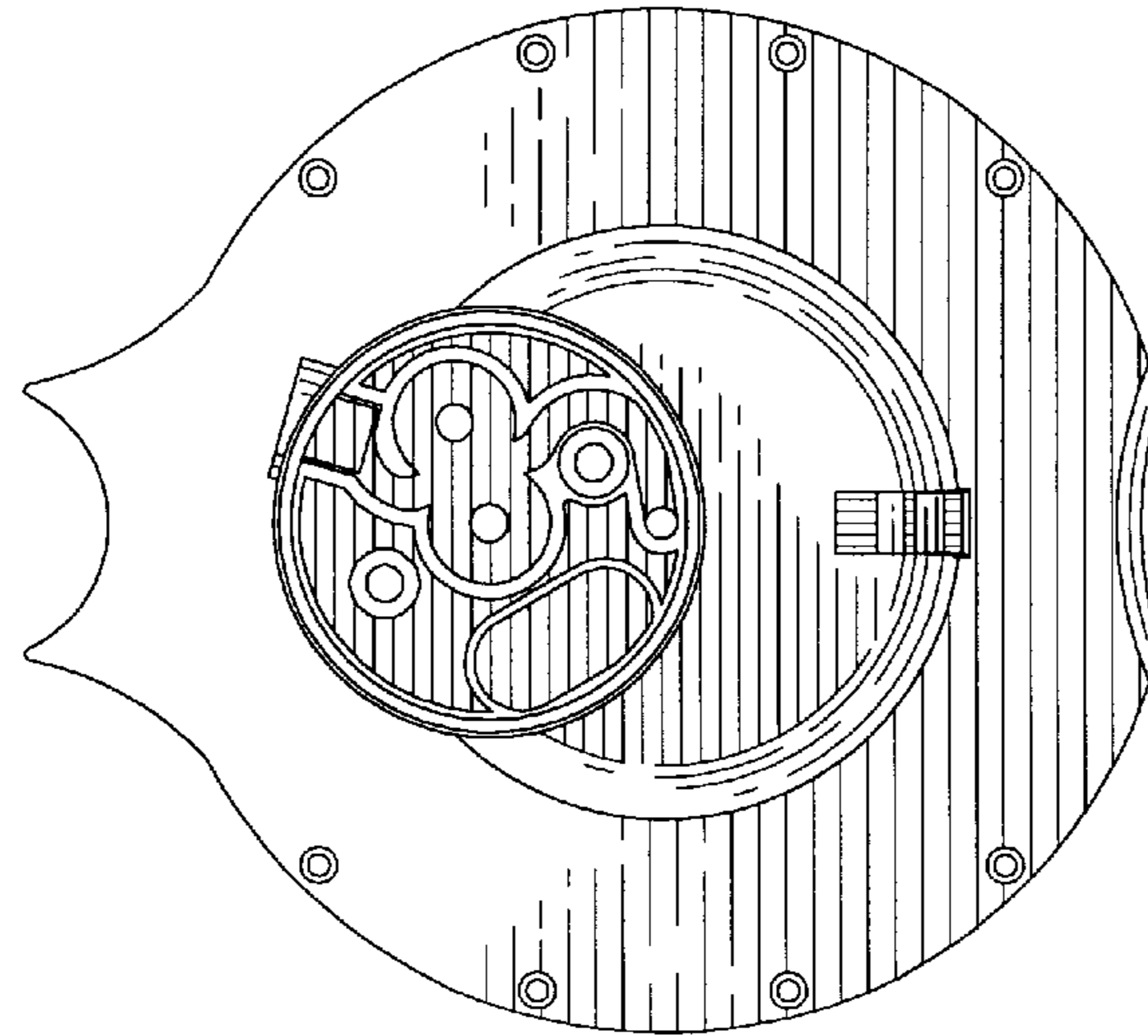


Fig. 5

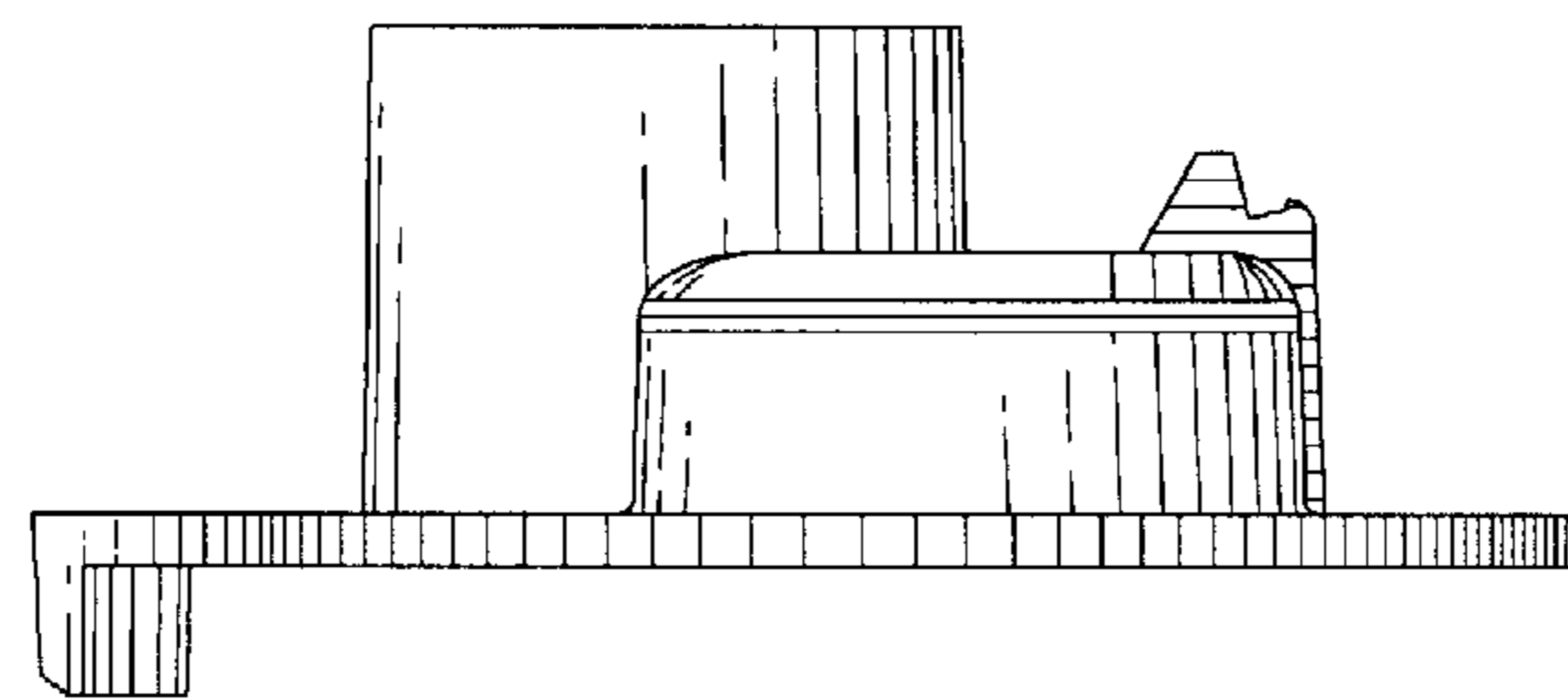


Fig. 6

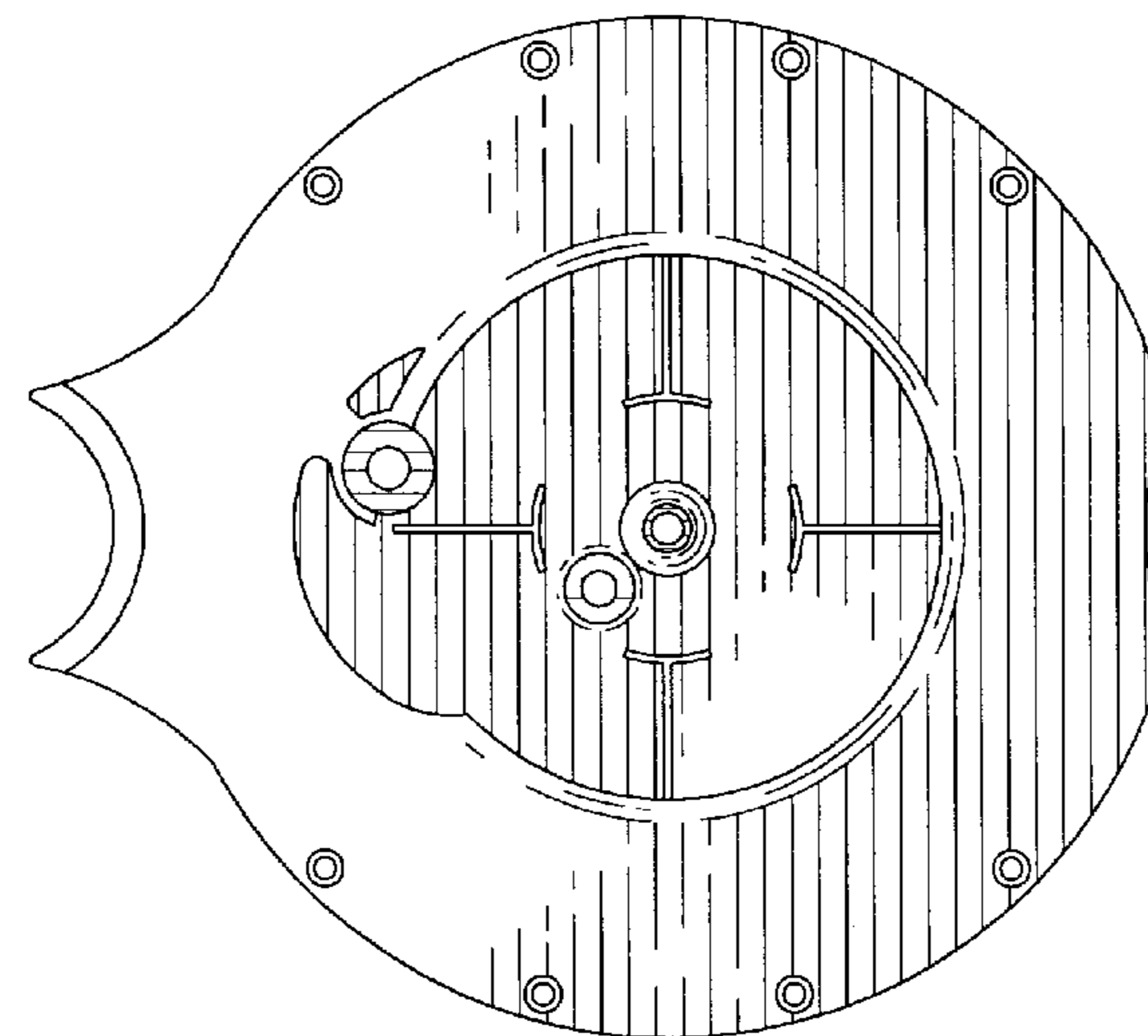


Fig. 7