



US00D432746S

United States Patent [19] Frey

[11] **Patent Number: Des. 432,746**

[45] **Date of Patent: ** Oct. 24, 2000**

[54] **CANISTER VACUUM CLEANER**

[75] Inventor: **Robert A. Frey**, Westlake, Ohio

[73] Assignee: **HMI Industries, Inc.**, Cleveland, Ohio

[**] Term: **14 Years**

[21] Appl. No.: **29/104,269**

[22] Filed: **Apr. 30, 1999**

[51] **LOC (7) Cl. 15-05**

[52] **U.S. Cl. D32/24**

[58] **Field of Search D32/21-24, 25,**
D32/31; 15/320-321, 353, 327.1, 327.2,
327.3, 327.4, 327.6, 327.7

D. 424,764 5/2000 Collins et al. D32/21
2,627,936 2/1953 Martinet .
3,343,344 9/1967 Fairaizl et al. .
5,641,343 6/1997 Frey .

Primary Examiner—Ruth McInroy
Attorney, Agent, or Firm—Vickers, Daniels & Young

[57] CLAIM

The ornamental design for a canister vacuum cleaner, as shown and described.

DESCRIPTION

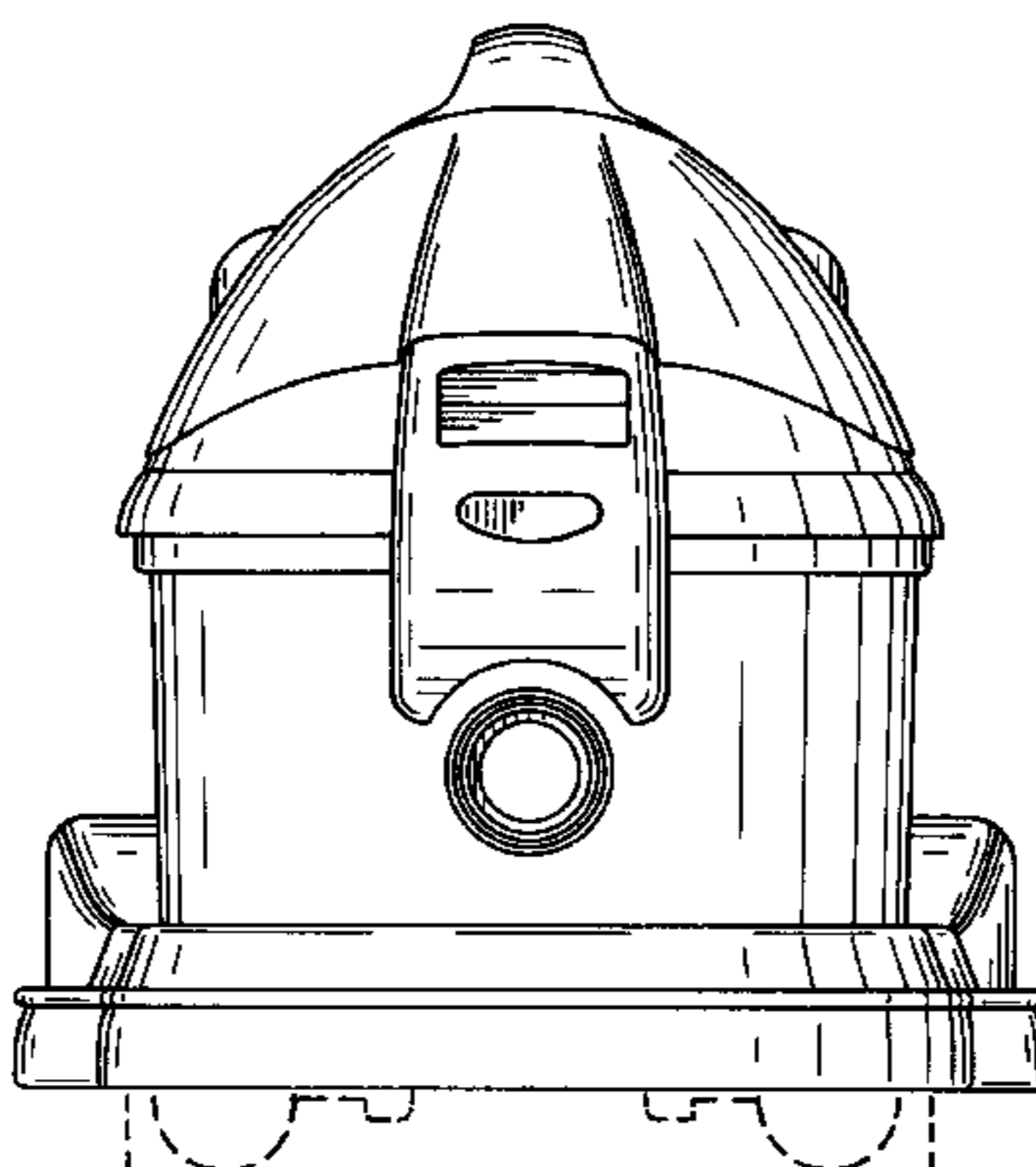
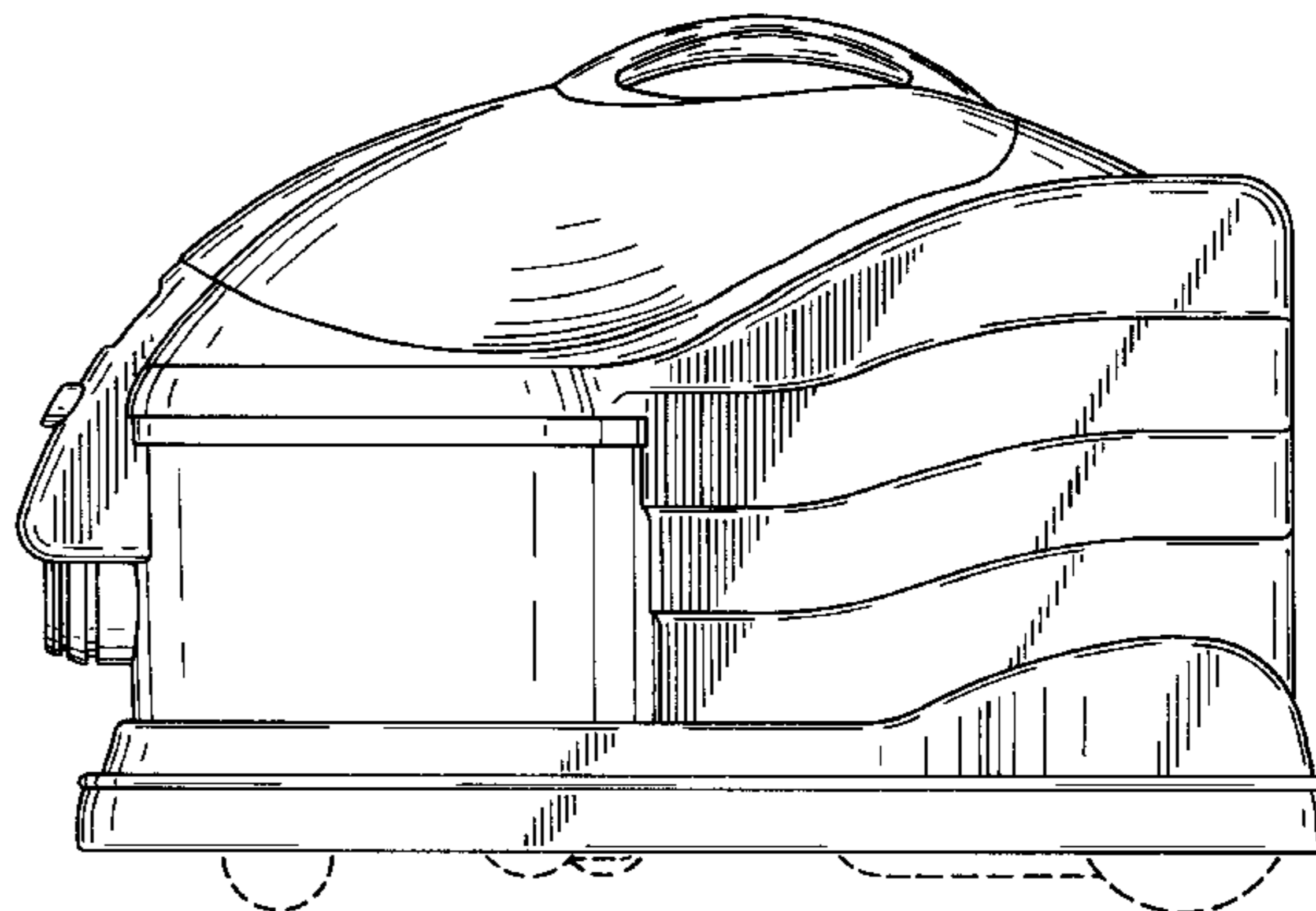
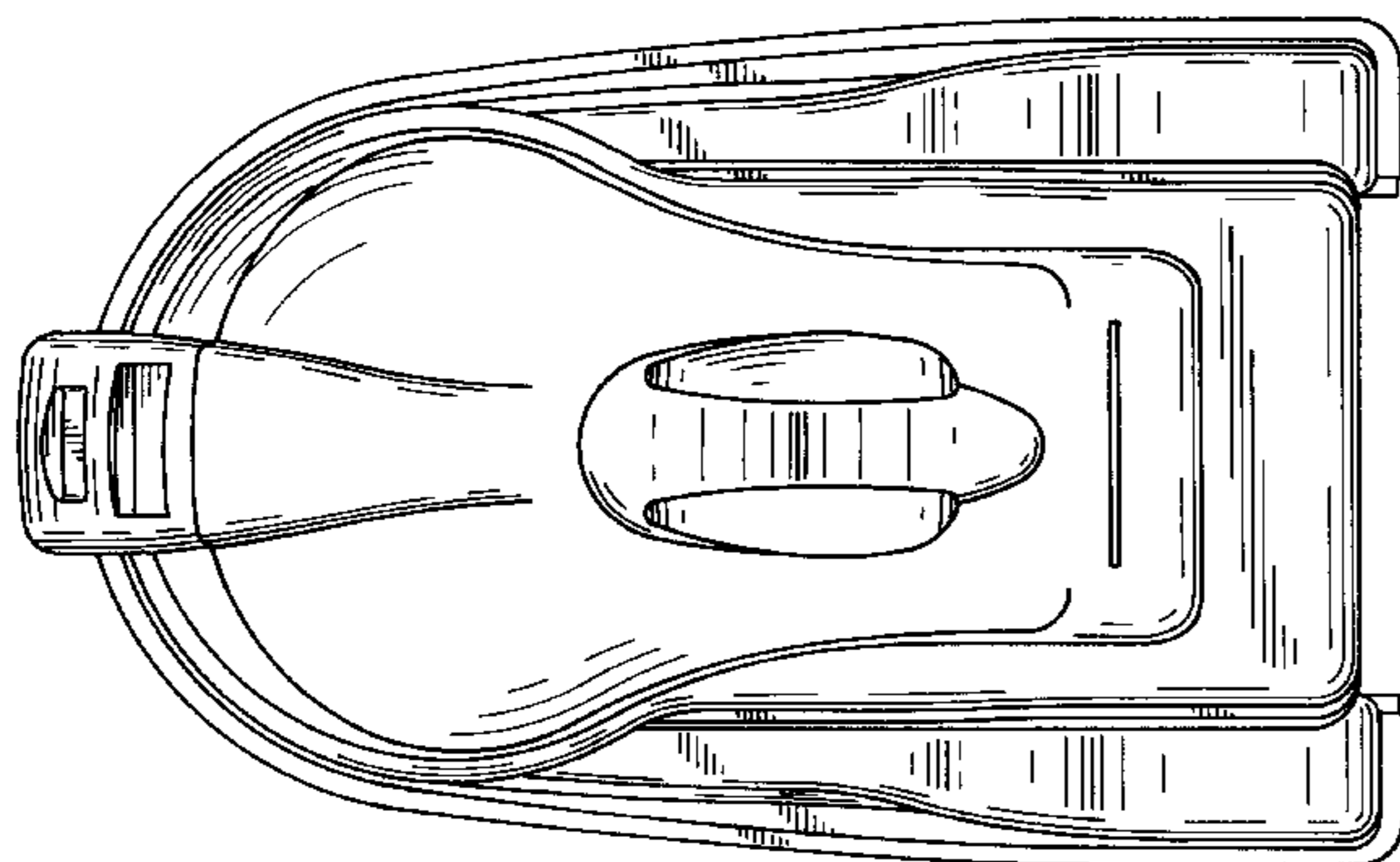
FIG. 1 is a top perspective view of the canister vacuum cleaner showing my new design;
FIG. 2 is a side elevation view thereof; and,
FIG. 3 is a front elevation view thereof.

The details shown in broken lines in FIGS. 2 and 3 are for illustrative purposes only and form no part of the claimed design.

The rear portion of the article not shown in the drawings or described in the specification forms no part of the claimed design.

- [56] **References Cited**
- U.S. PATENT DOCUMENTS
- | | | | | |
|------------|--------|---------------|-------|--------|
| D. 338,989 | 8/1993 | Ambrosiano | | D32/15 |
| D. 343,934 | 2/1994 | Meelen | | D32/24 |
| D. 344,377 | 2/1994 | Thomas | | D32/23 |
| D. 355,283 | 2/1995 | Thomas et al. | | D32/24 |
| D. 422,386 | 4/2000 | Jaros et al. | | D32/21 |
| D. 422,763 | 4/2000 | Tsuda | | D32/21 |

1 Claim, 2 Drawing Sheets



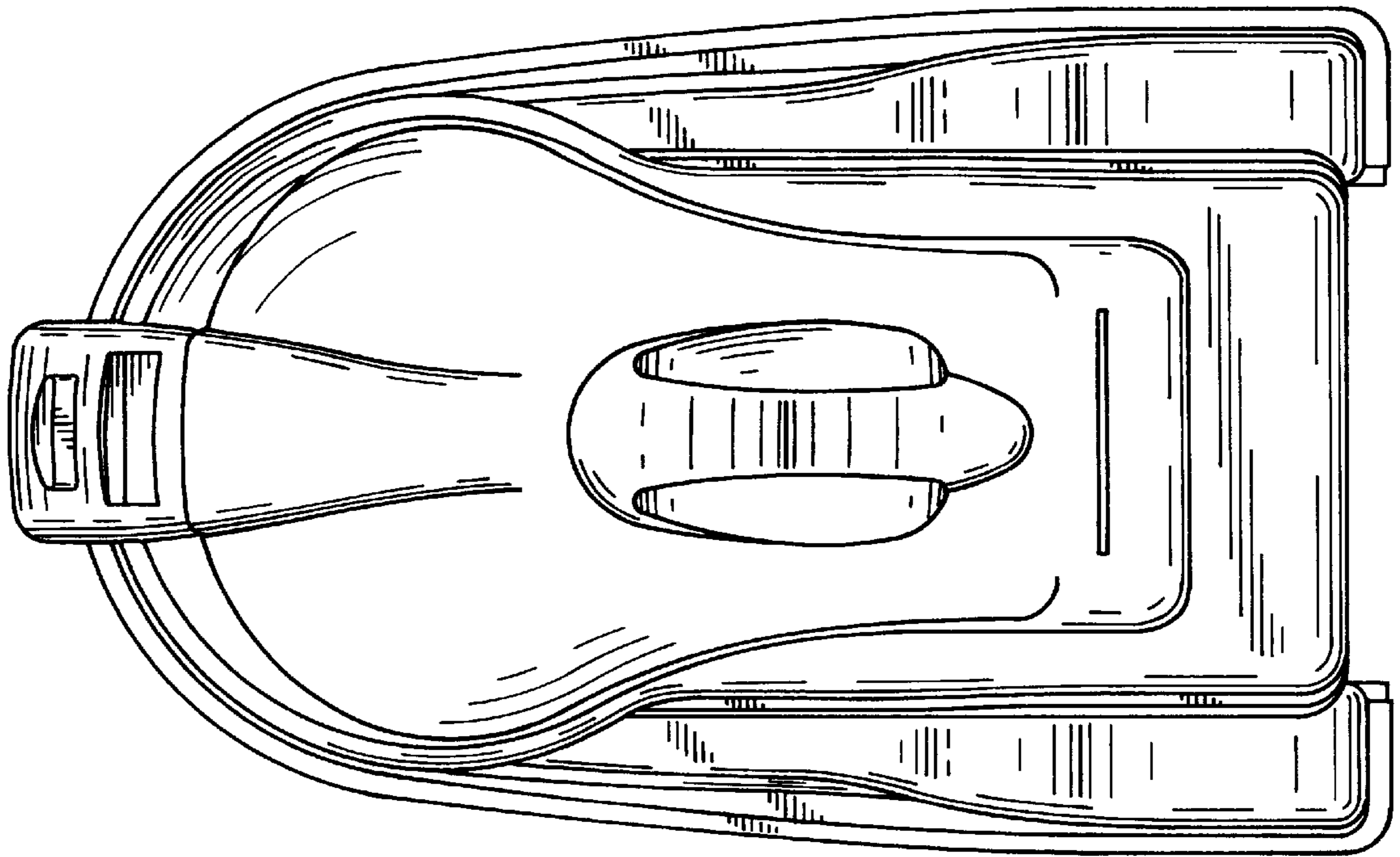


FIG. 1

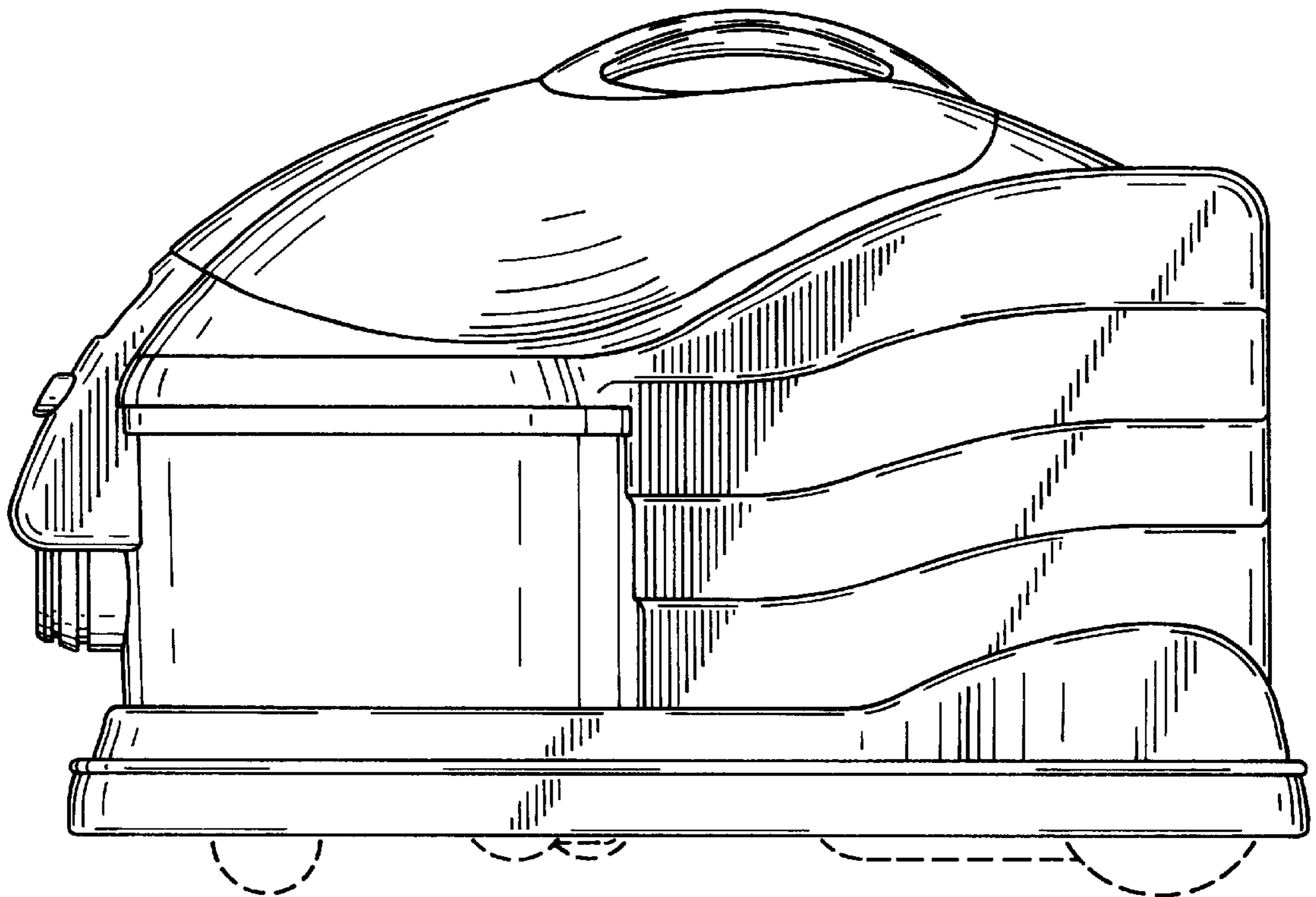


FIG. 2

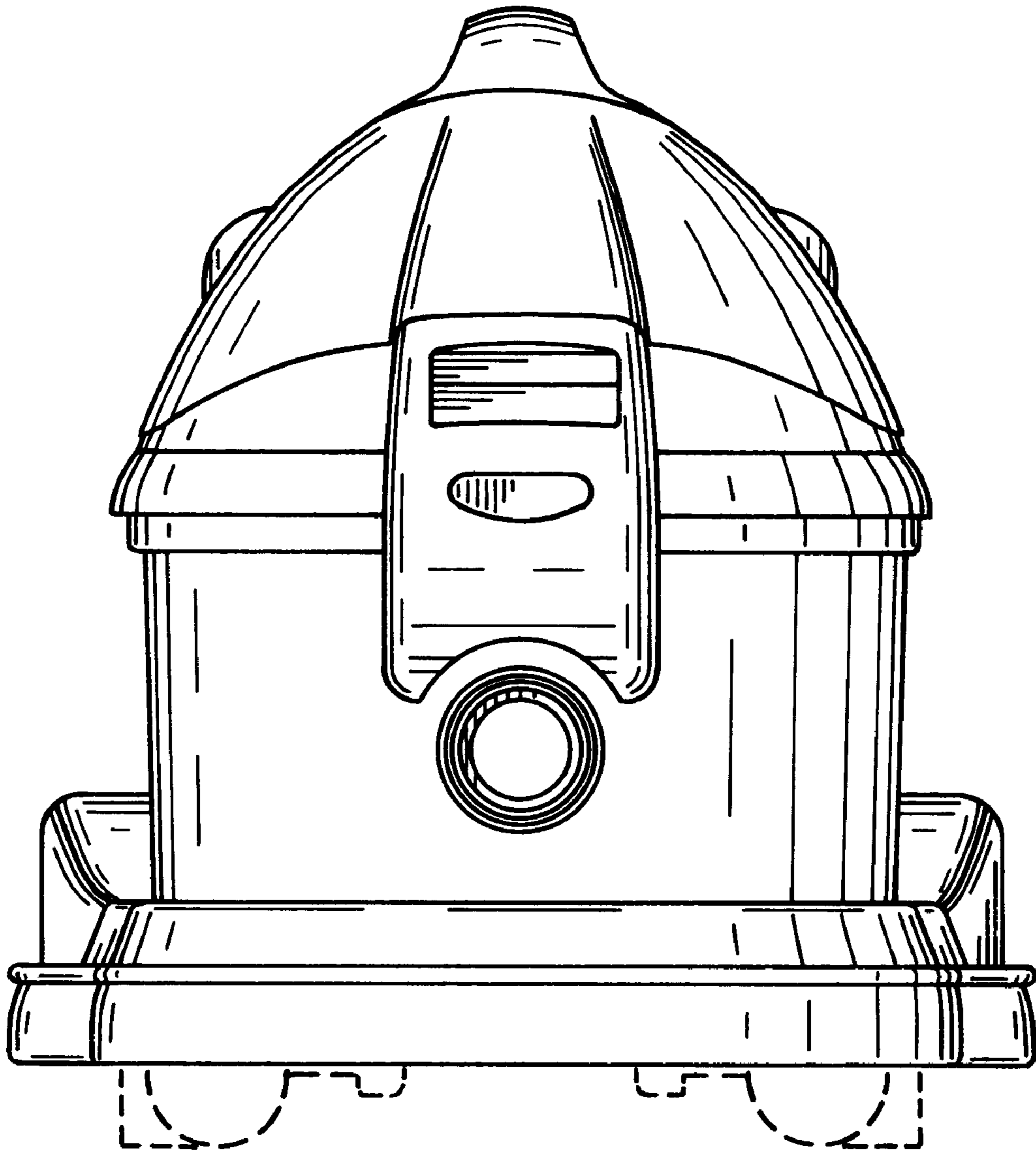


FIG. 3