



US00D432740S

United States Patent [19] Morley

[11] Patent Number: Des. 432,740

[45] Date of Patent: ** *Oct. 24, 2000

[54] DOG KENNEL COVER

5,485,805 1/1996 Meissner 119/497

[76] Inventor: Patrick Morley, 3525 Glen Arbor, St. Louis, Mo. 63125

FOREIGN PATENT DOCUMENTS

372659 6/1990 France D30/161

[*] Notice: This patent is subject to a terminal disclaimer.

Primary Examiner—Cathy Anne MacCormac
Attorney, Agent, or Firm—Polster, Lieder, Woodruff & Lucchesi

[**] Term: 14 Years

[57] CLAIM

[21] Appl. No.: 29/073,016

I claim the ornamental design for a dog kennel cover, as shown.

[22] Filed: Jun. 27, 1997

DESCRIPTION

[51] LOC (7) Cl. 30-02

[52] U.S. Cl. D30/119

[58] Field of Search D30/108-109,
D30/117-119, 158, 160-161, 199; 119/537,
468, 51.01, 482, 484, 847, 28.5, 706, 498,
412, 168, 497, 496, 479; 5/413 R; 108/156

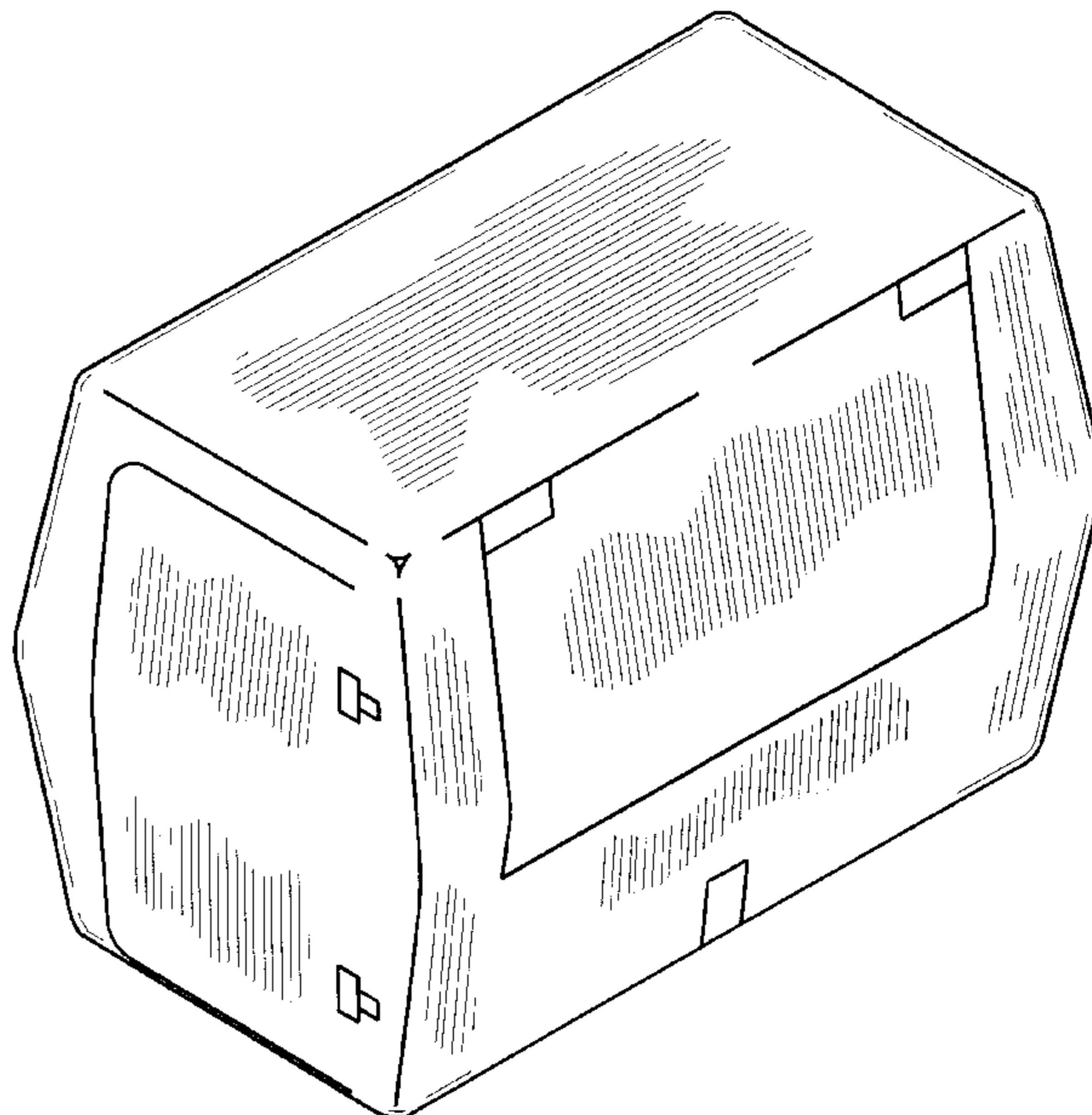
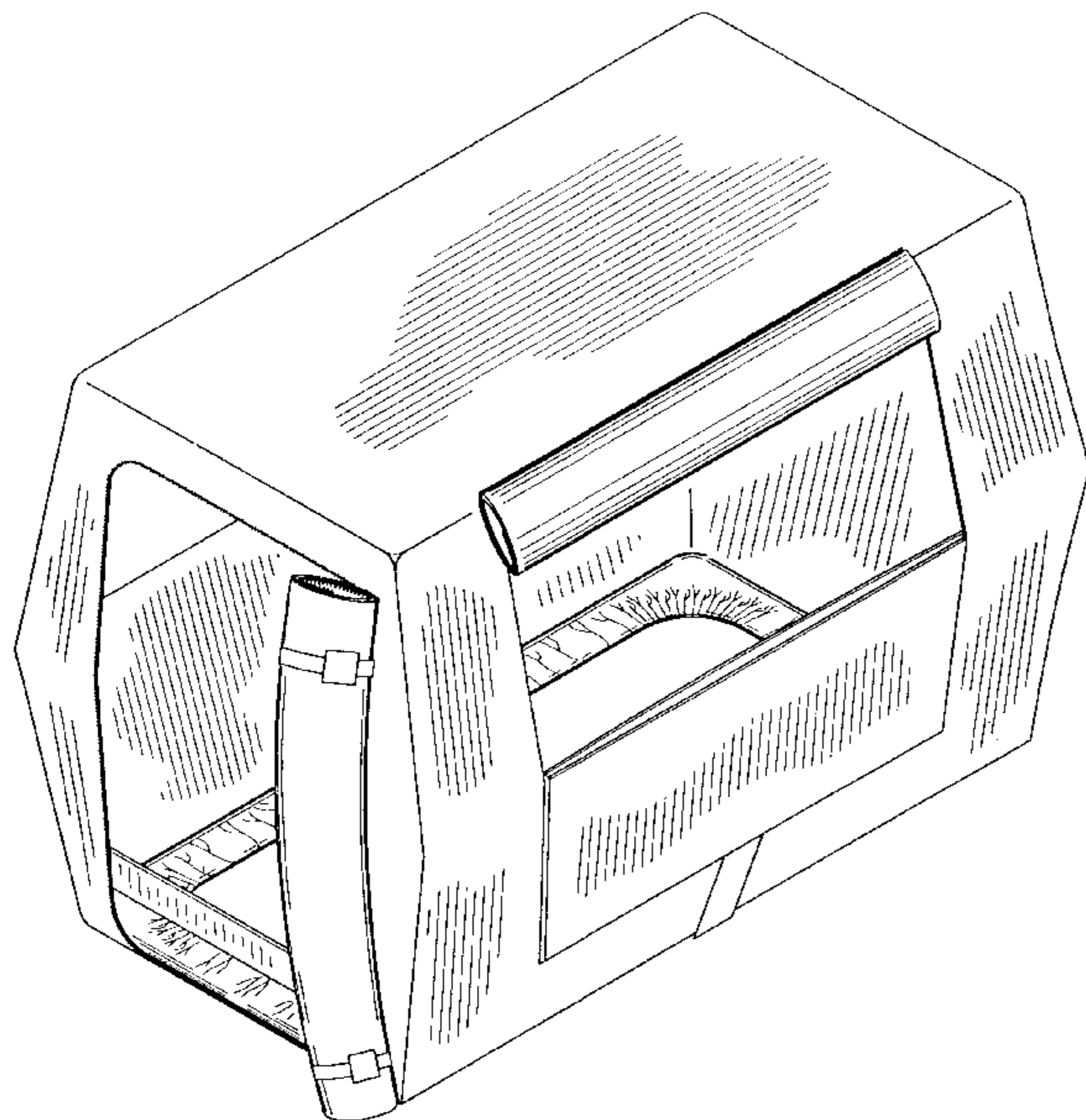
FIG. 1 is a perspective view of a dog kennel cover showing my new design;
FIG. 2 is a bottom plan view thereof;
FIG. 3 is a top plan view thereof;
FIG. 4 is a side elevation also view thereof;
FIG. 5 is a rear elevational view thereof;
FIG. 6 is a front elevational view thereof;
FIG. 7 is another perspective view showing the door and side windows of the cover in closed position;
FIG. 8 is a bottom plan view of FIG. 7;
FIG. 9 is a top plan view of FIG. 7;
FIG. 10 is a side elevational view of FIG. 7;
FIG. 11 is a rear elevational view of FIG. 7; and,
FIG. 12 is a front elevational view of FIG. 7.

[56] References Cited

U.S. PATENT DOCUMENTS

3,084,667	4/1963	Felhofer et al.	119/497
3,547,079	12/1970	Bassett	119/497
4,220,119	9/1980	Albright	119/497
5,027,748	7/1991	Wolak	119/498
5,078,096	1/1992	Bishop et al.	119/497
5,113,793	5/1992	Leader et al.	119/453
5,357,900	10/1994	Ho	119/479

1 Claim, 12 Drawing Sheets



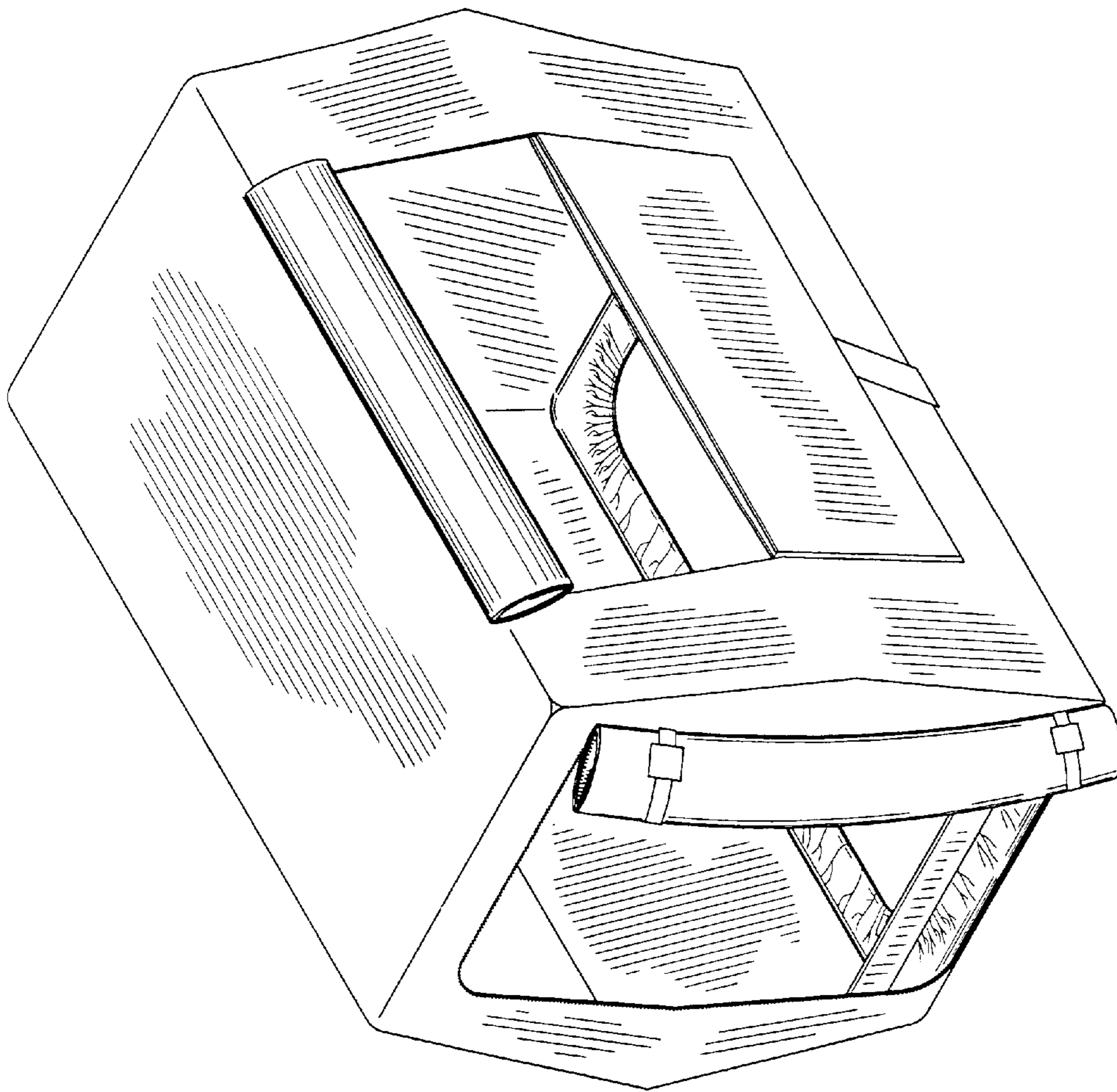


Figure 1

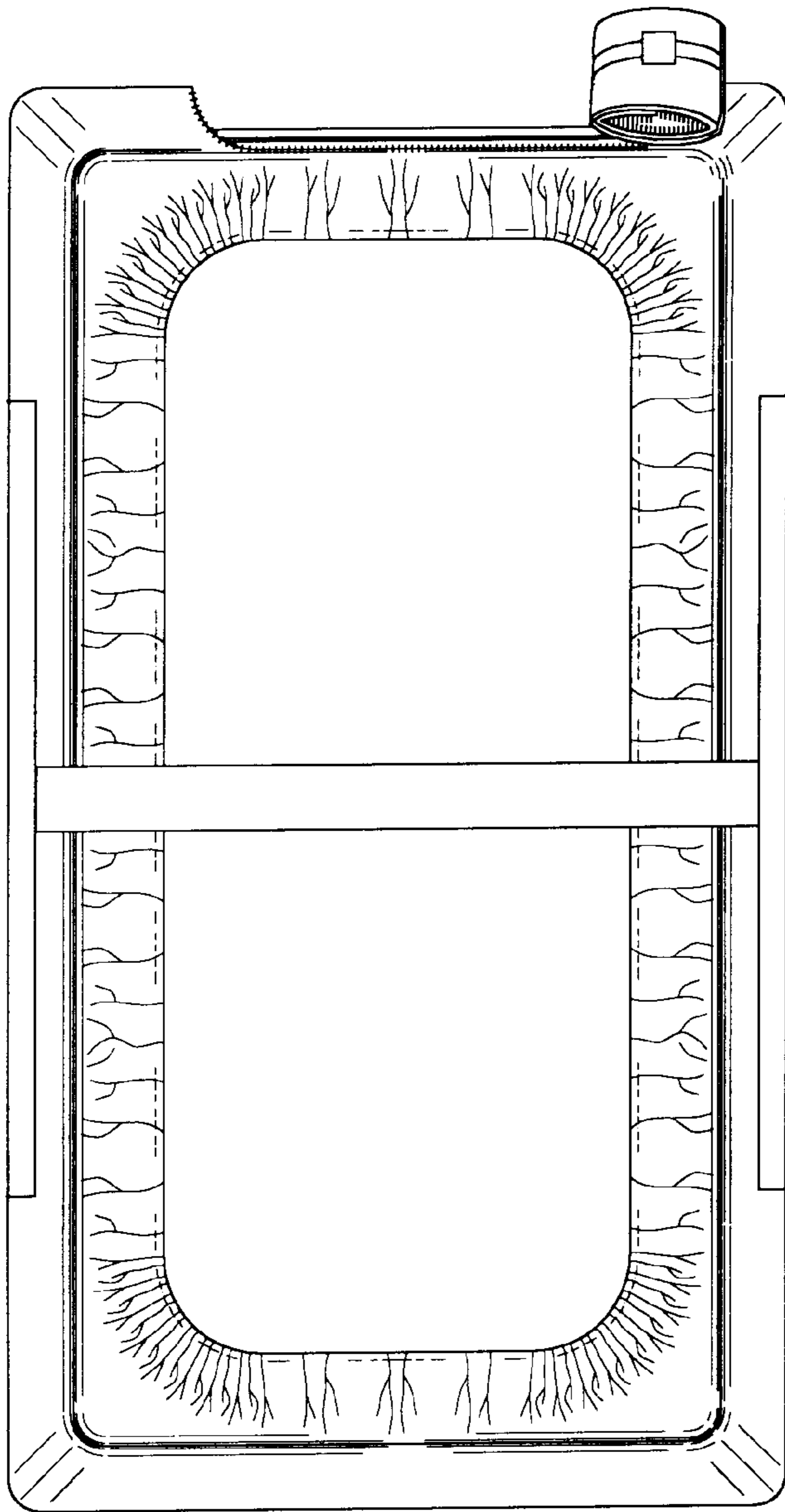


Figure 2

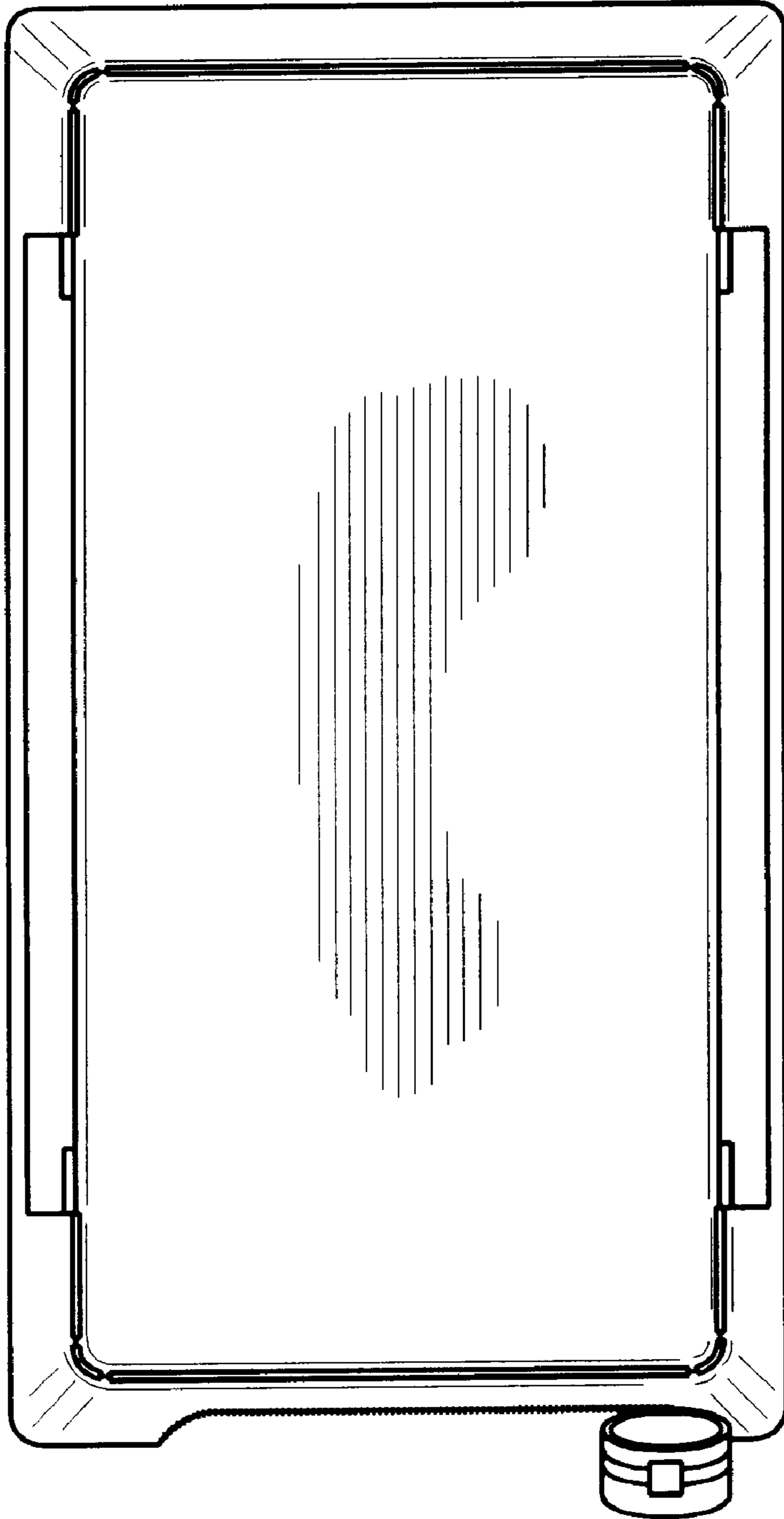


FIG. 3

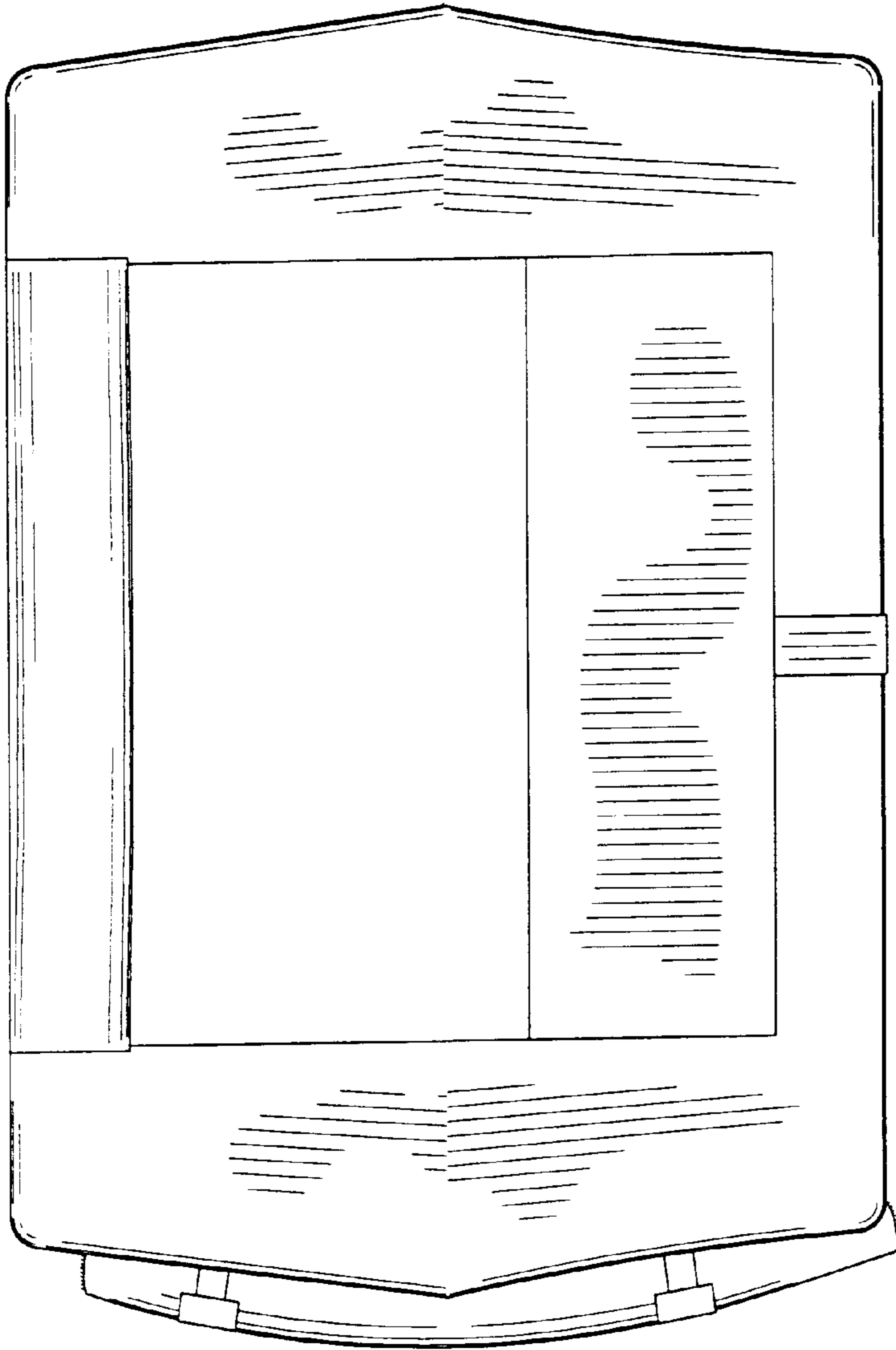


Figure 4

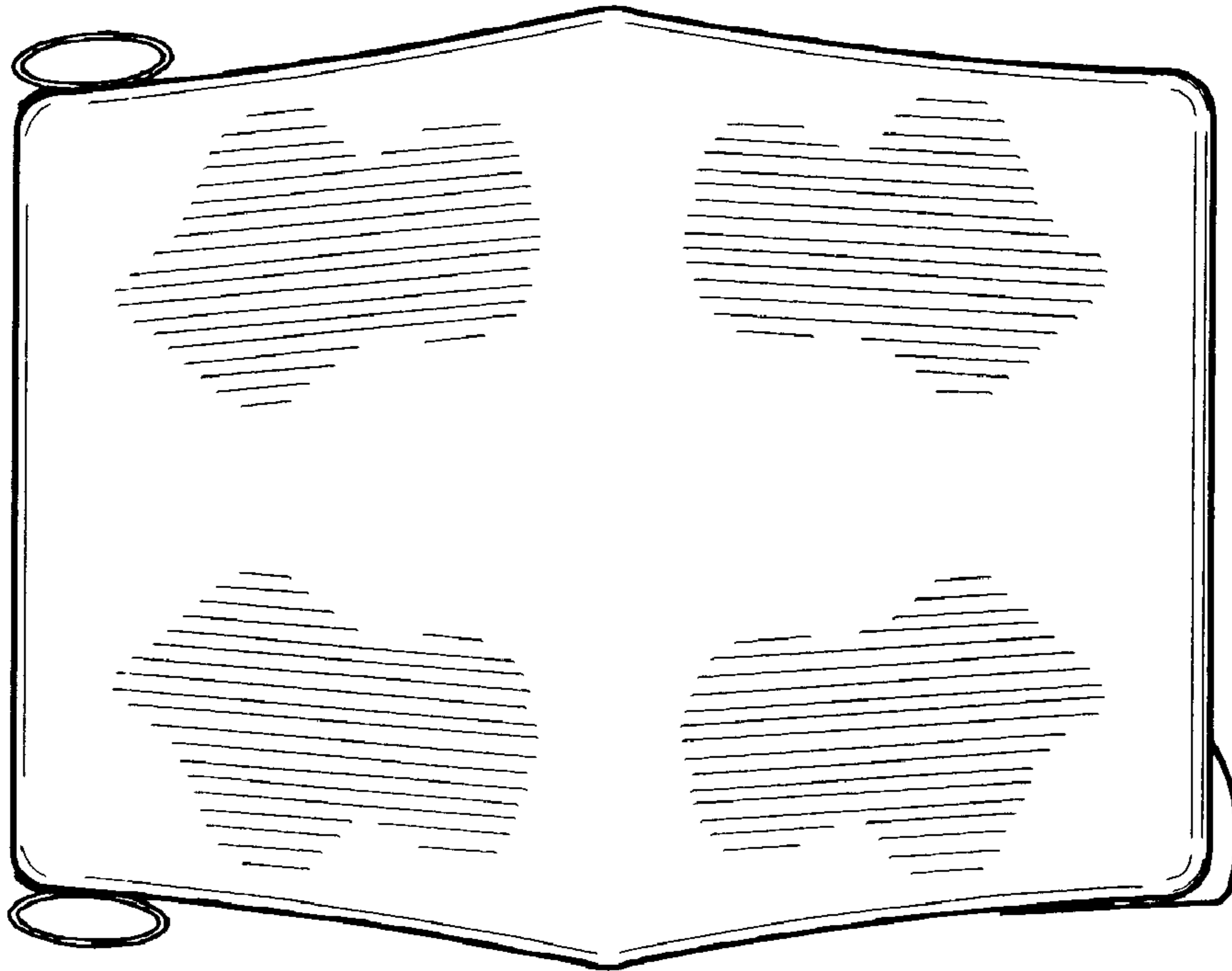


FIG. 5

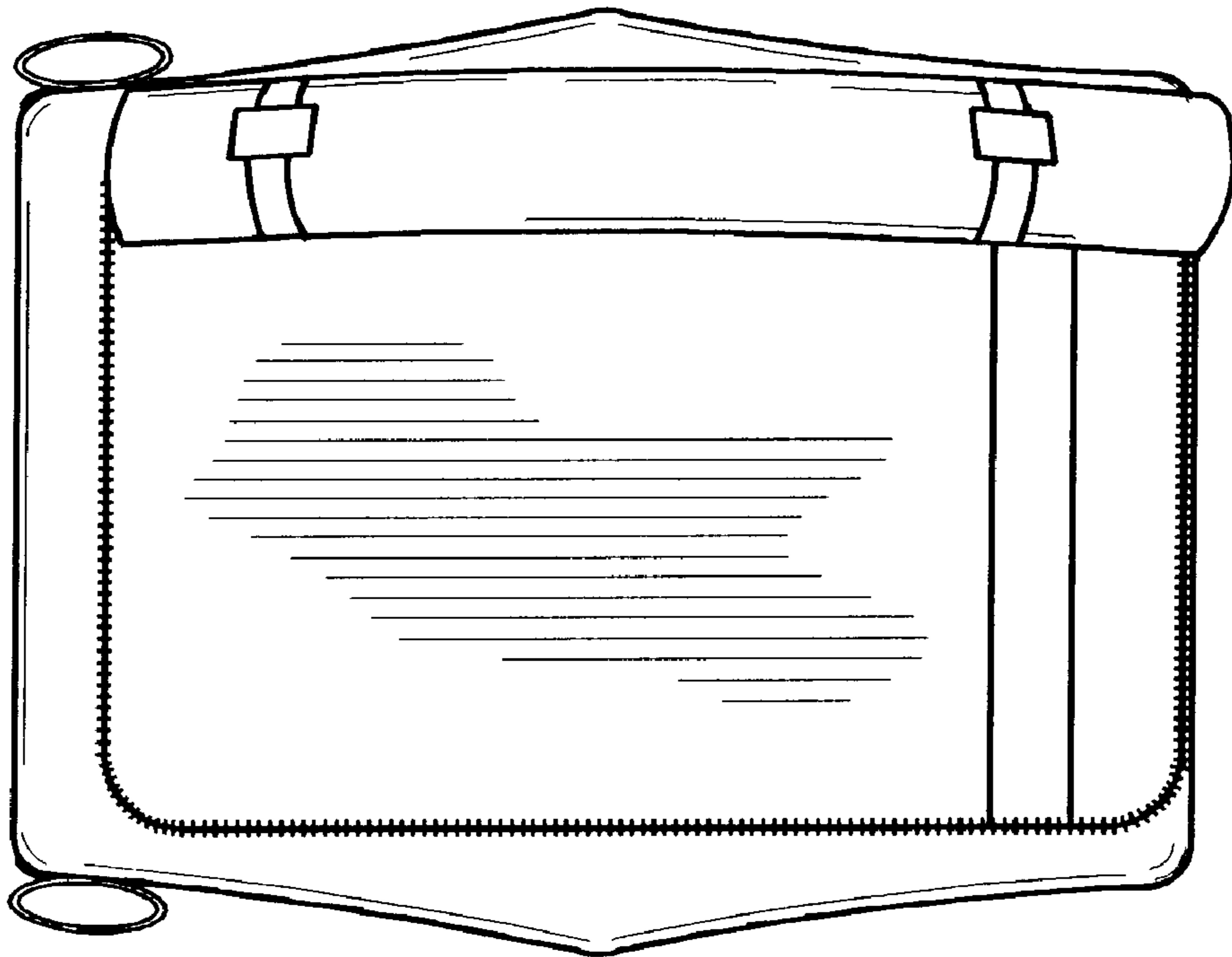


FIG. 6

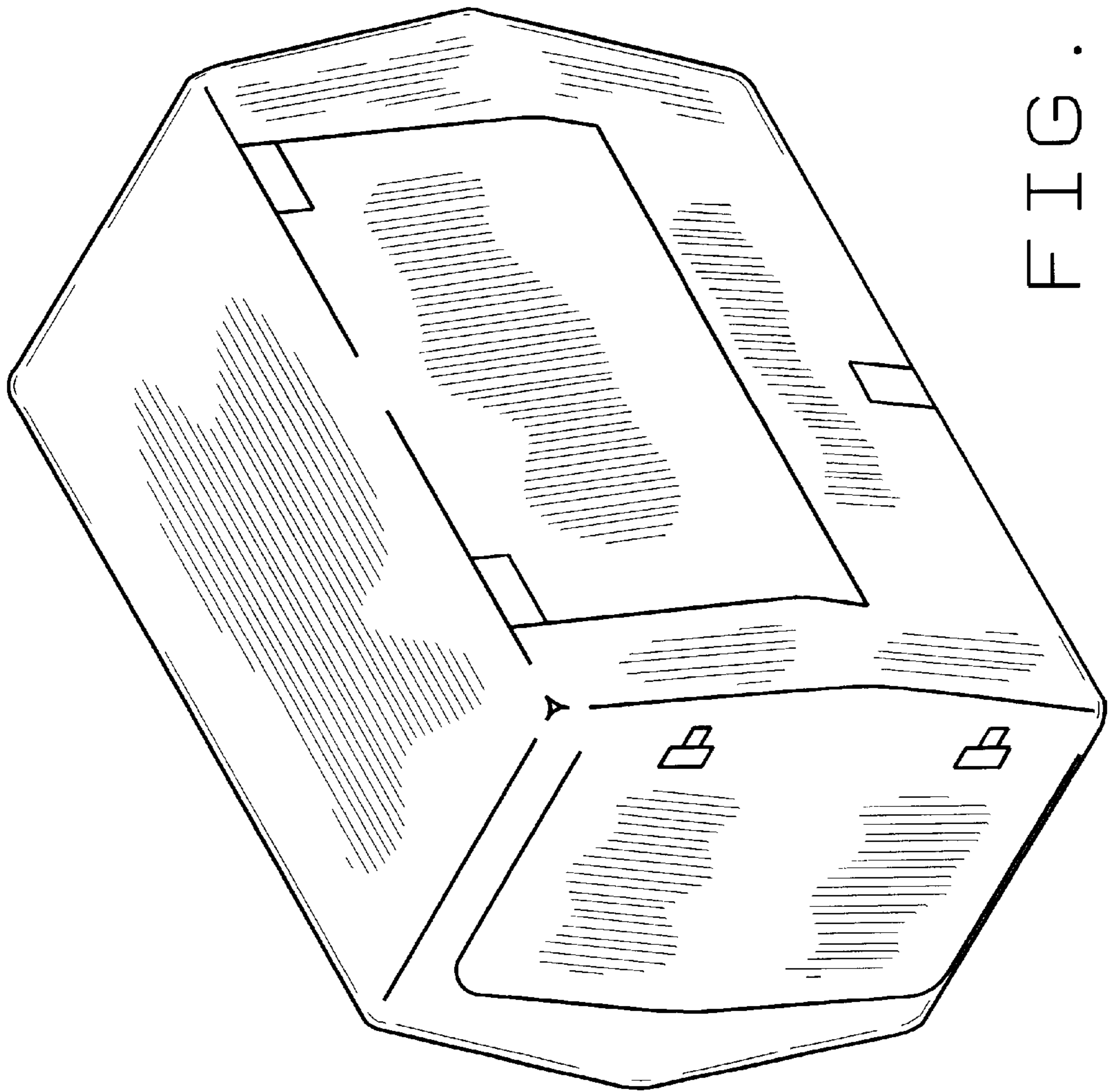


FIG. 7

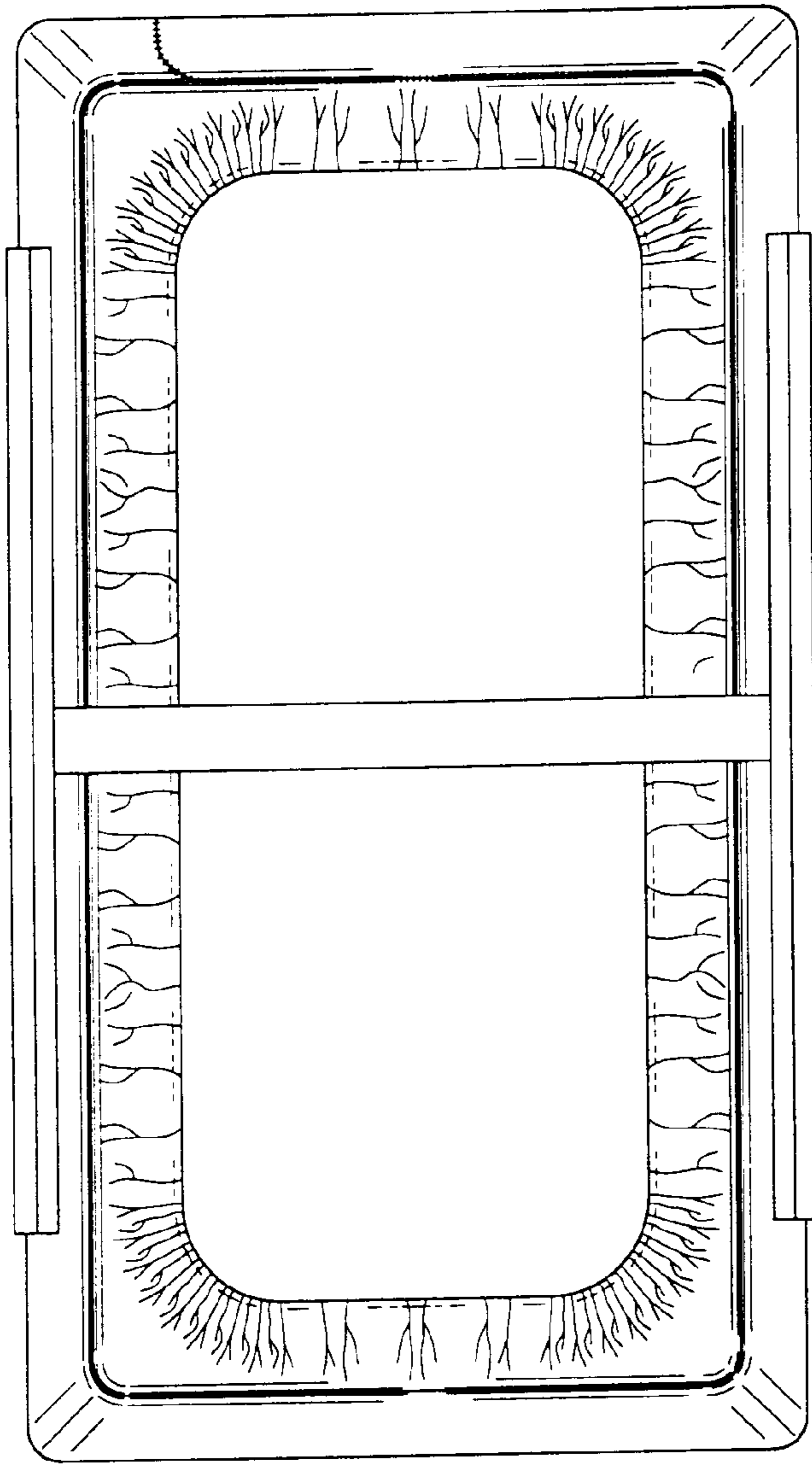


Figure 8

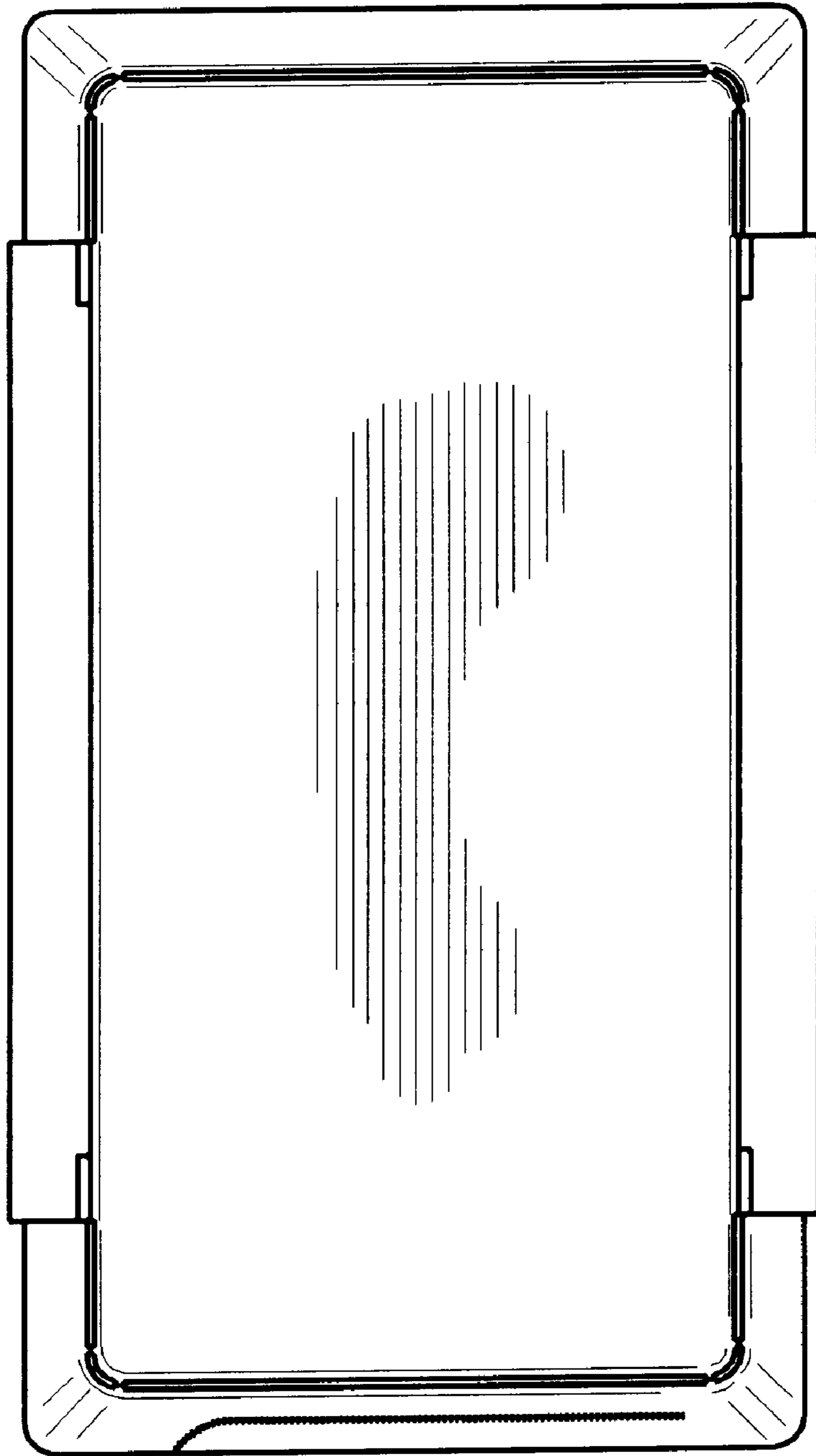


FIG. 9



FIG. 10

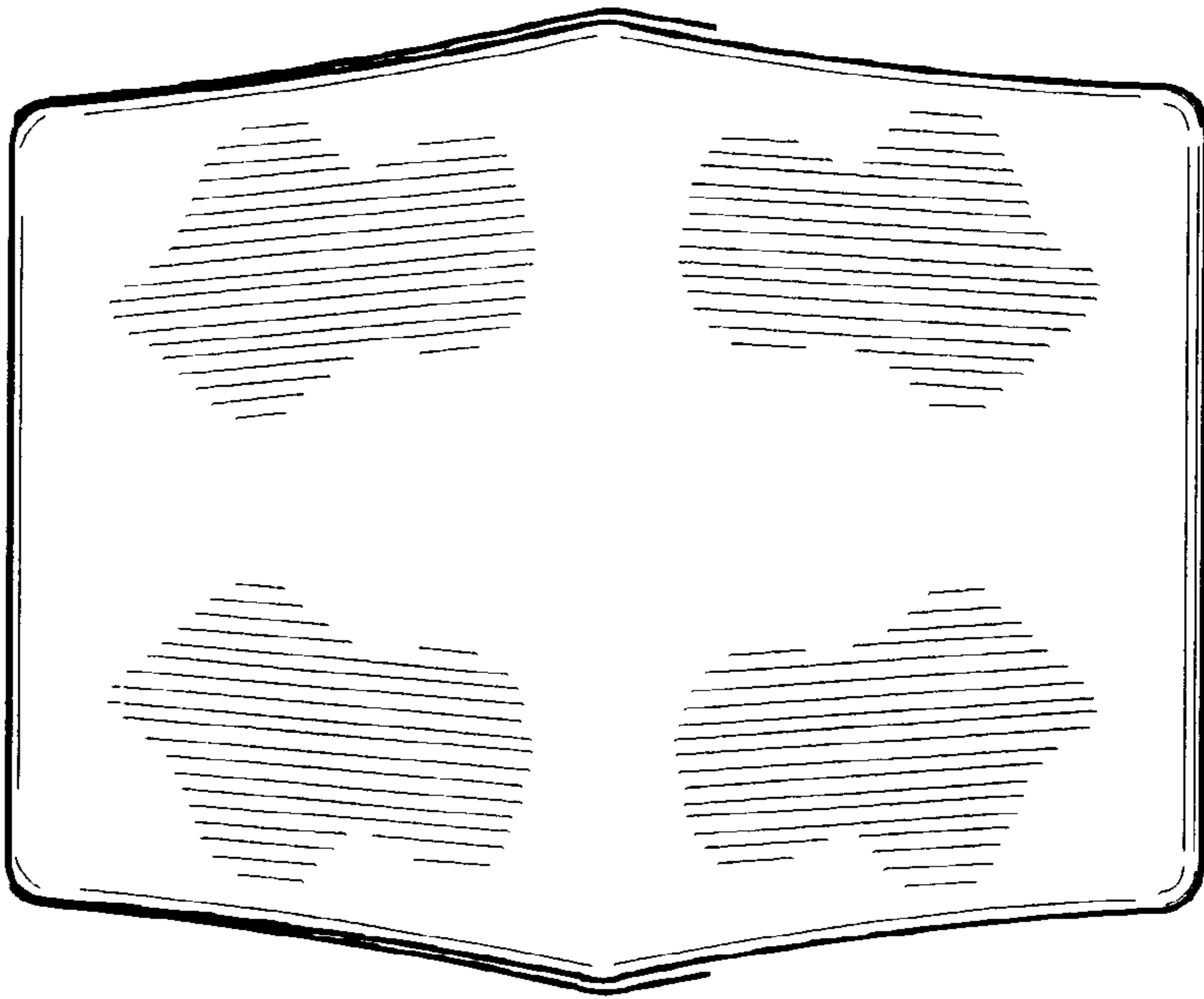


FIG. 11

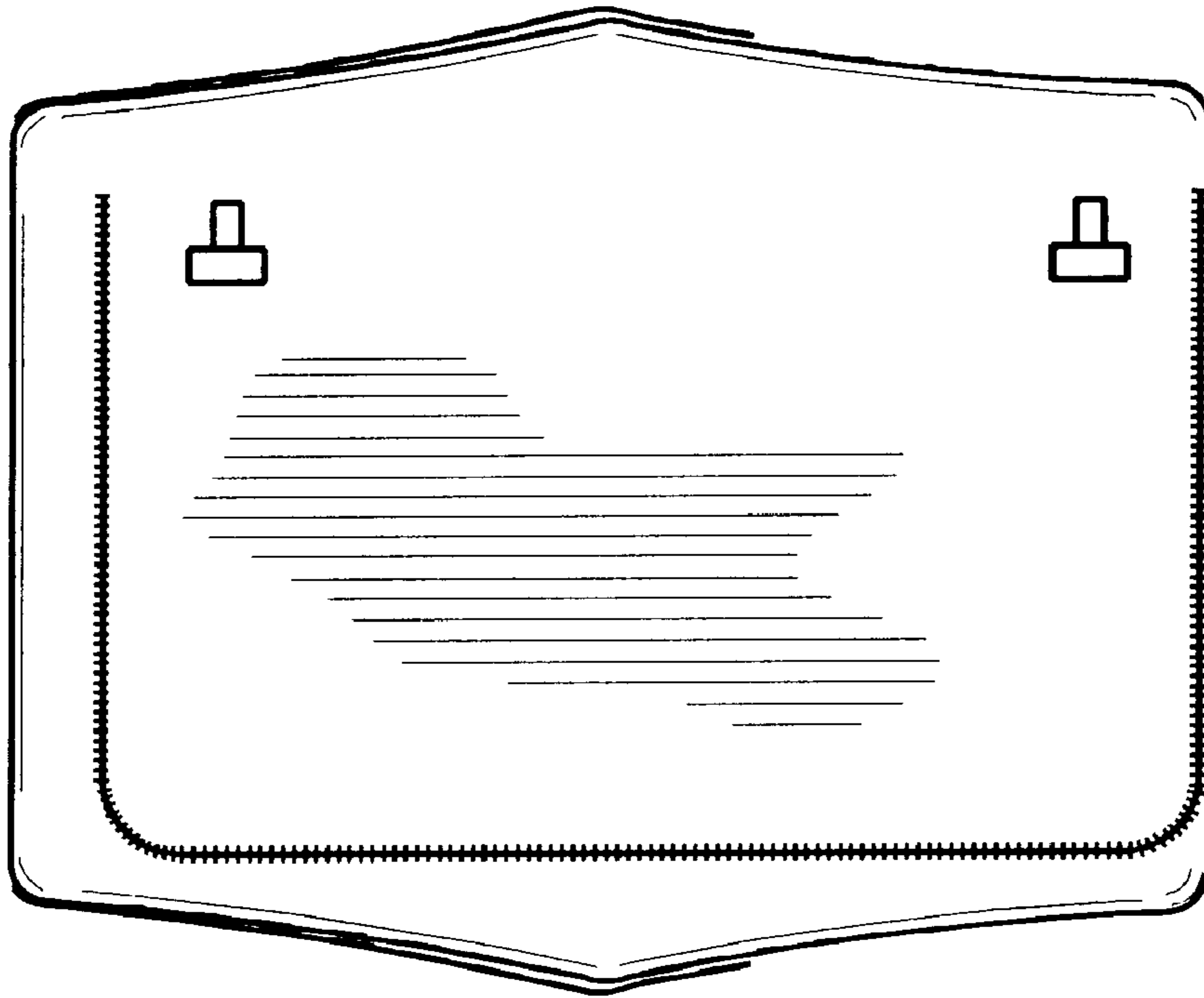


FIG. 12