



US00D432723S

United States Patent [19] Crosta

[11] Patent Number: **Des. 432,723**

[45] Date of Patent: **** *Oct. 24, 2000**

[54] **CONTAINER FOR COSMETIC PRODUCTS**

[75] Inventor: **Sergio Crosta**, Venegono Inferiore, Italy

[73] Assignee: **Laffon S.p.A.**, Varese, Italy

[*] Notice: This patent is subject to a terminal disclaimer.

[**] Term: **14 Years**

[21] Appl. No.: **29/095,299**

[22] Filed: **Oct. 20, 1998**

[30] **Foreign Application Priority Data**

Apr. 24, 1998 [IT] Italy MI9800287

[51] **LOC (7) Cl.** **28-03**

[52] **U.S. Cl.** **D28/82**

[58] **Field of Search** D28/76-84; 132/293-307, 132/316; 206/235, 581, 823; 220/DIG. 26

[56] **References Cited**

U.S. PATENT DOCUMENTS

D. 318,346 7/1991 Bakic D28/82

D. 342,808 12/1993 Bakic D28/82
D. 392,773 3/1998 Litton D28/82
D. 401,017 11/1998 Thorpe D28/78
D. 408,591 4/1999 Litton et al. D28/82
4,569,438 2/1986 Sheffler 206/37

FOREIGN PATENT DOCUMENTS

WO 8707483 12/1987 WIPO 132/293

Primary Examiner—Catherine Tuttle
Attorney, Agent, or Firm—Hedman, Gibson & Costigan, P.C.

[57] **CLAIM**

The ornamental design for a container for cosmetic products, as shown and described.

DESCRIPTION

FIG. 1 is a perspective view of a container for cosmetic products, showing my new design;
FIG. 2 is a top view thereof;
FIG. 3 is a front view thereof;
FIG. 4 is a side elevation view thereof;
FIG. 5 is a bottom view thereof; and,
FIG. 6 is a rear view thereof.

1 Claim, 2 Drawing Sheets

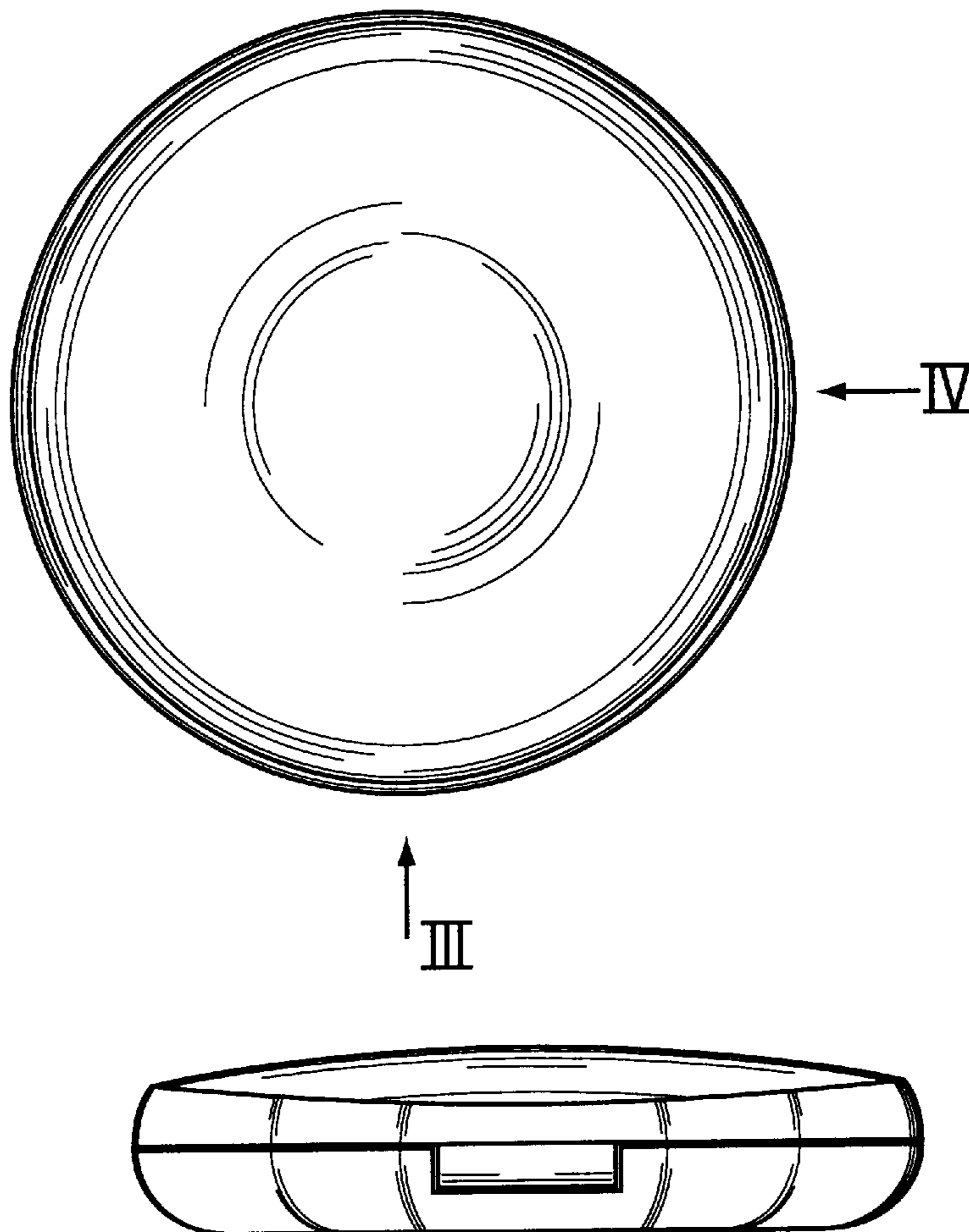


FIG. 1

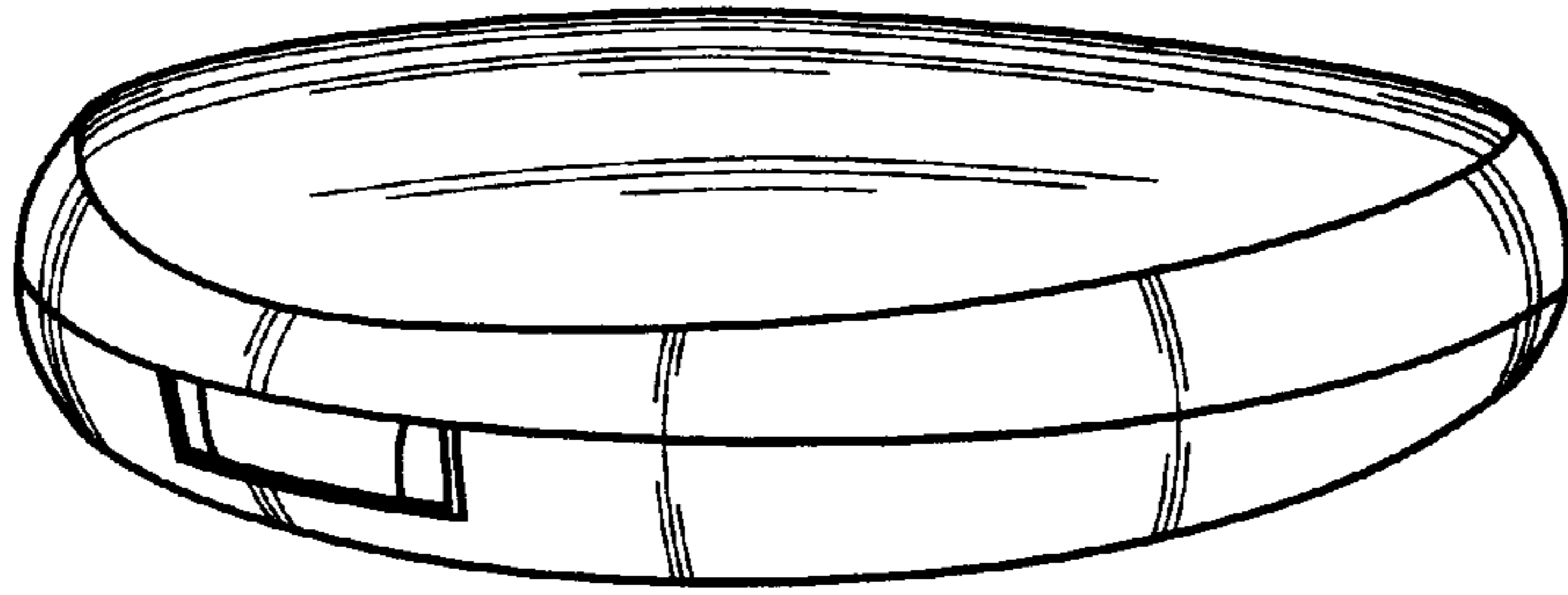


FIG. 6

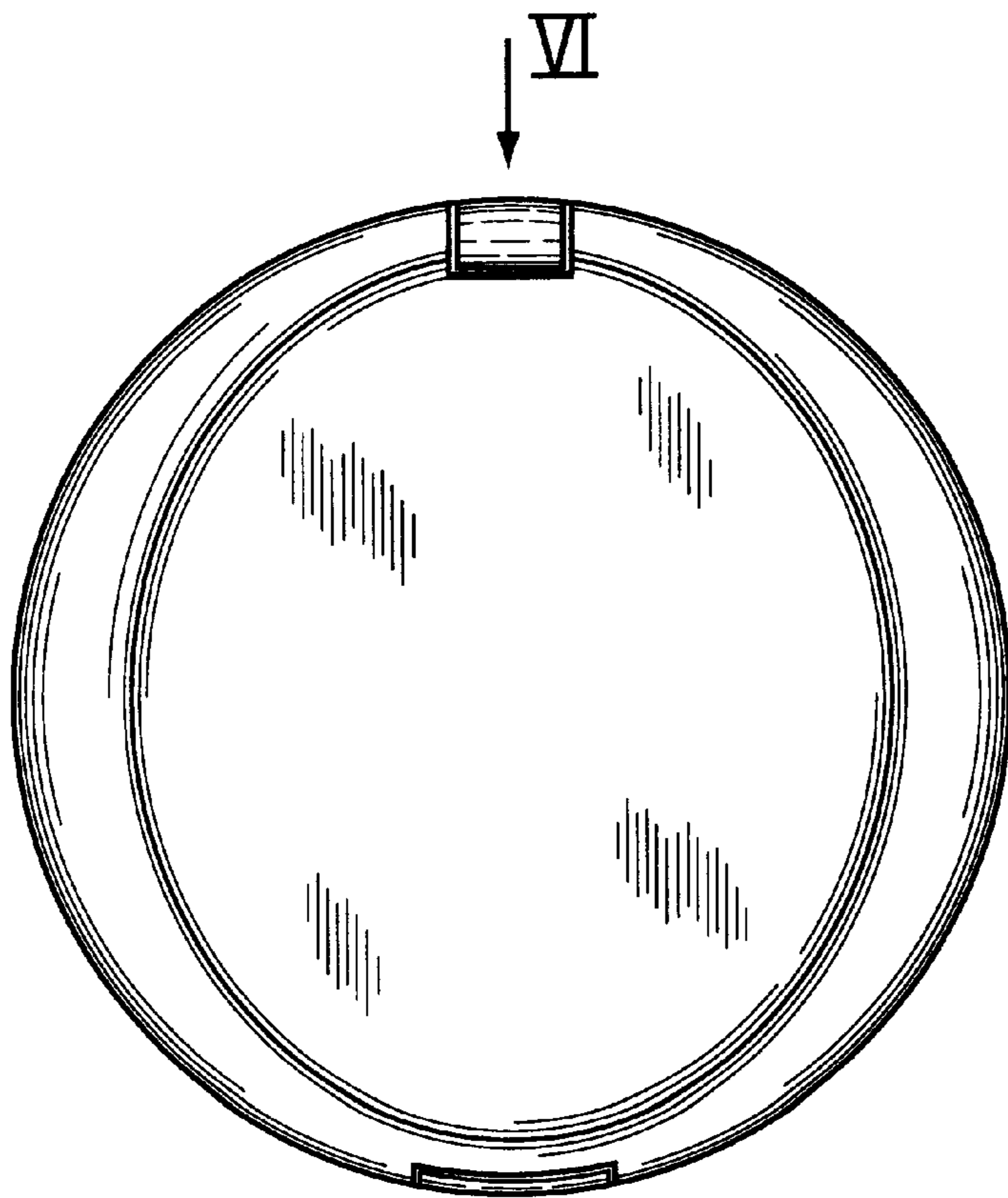
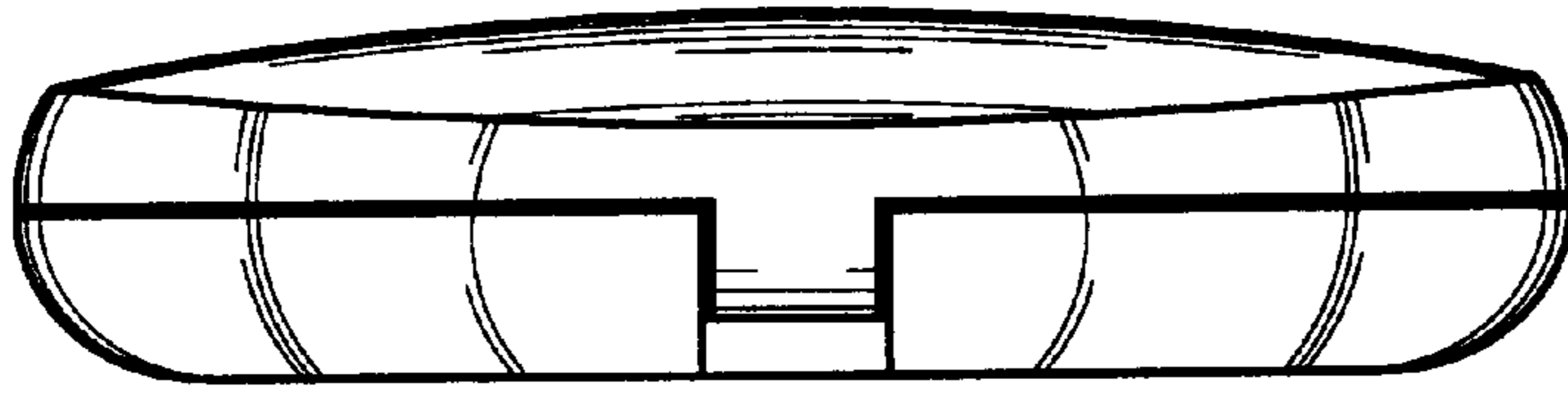


FIG. 5

FIG. 3

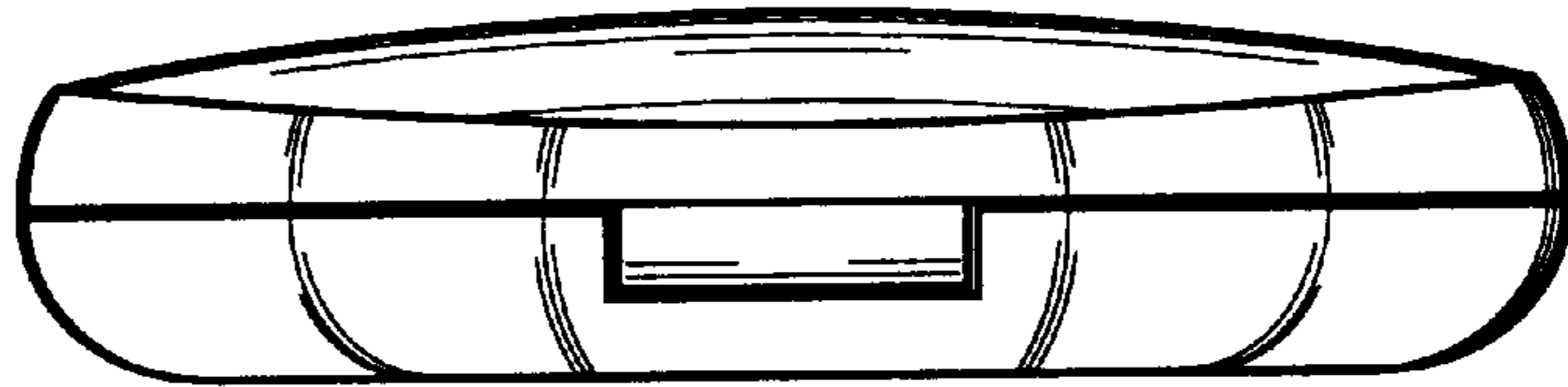


FIG. 2

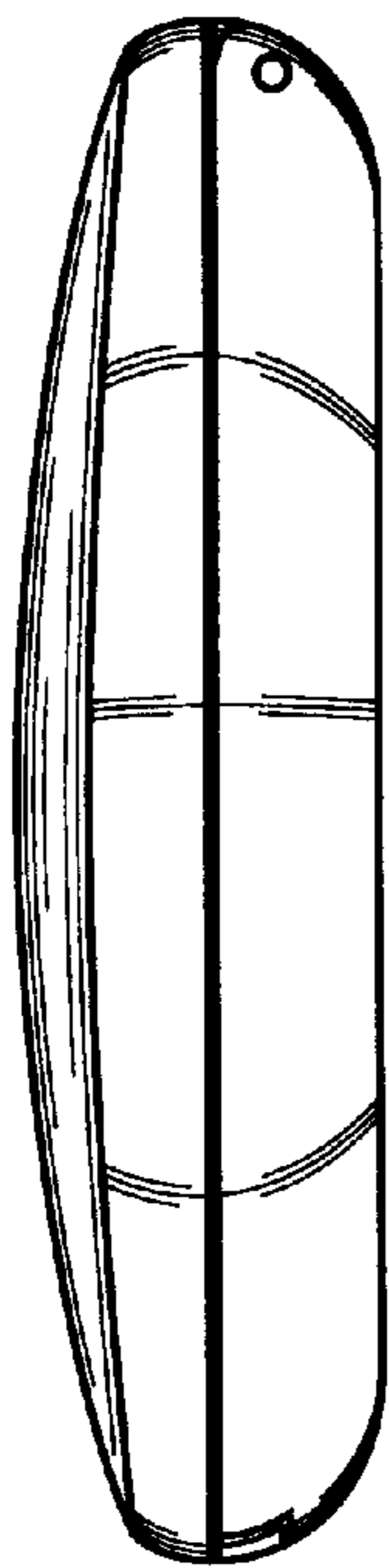
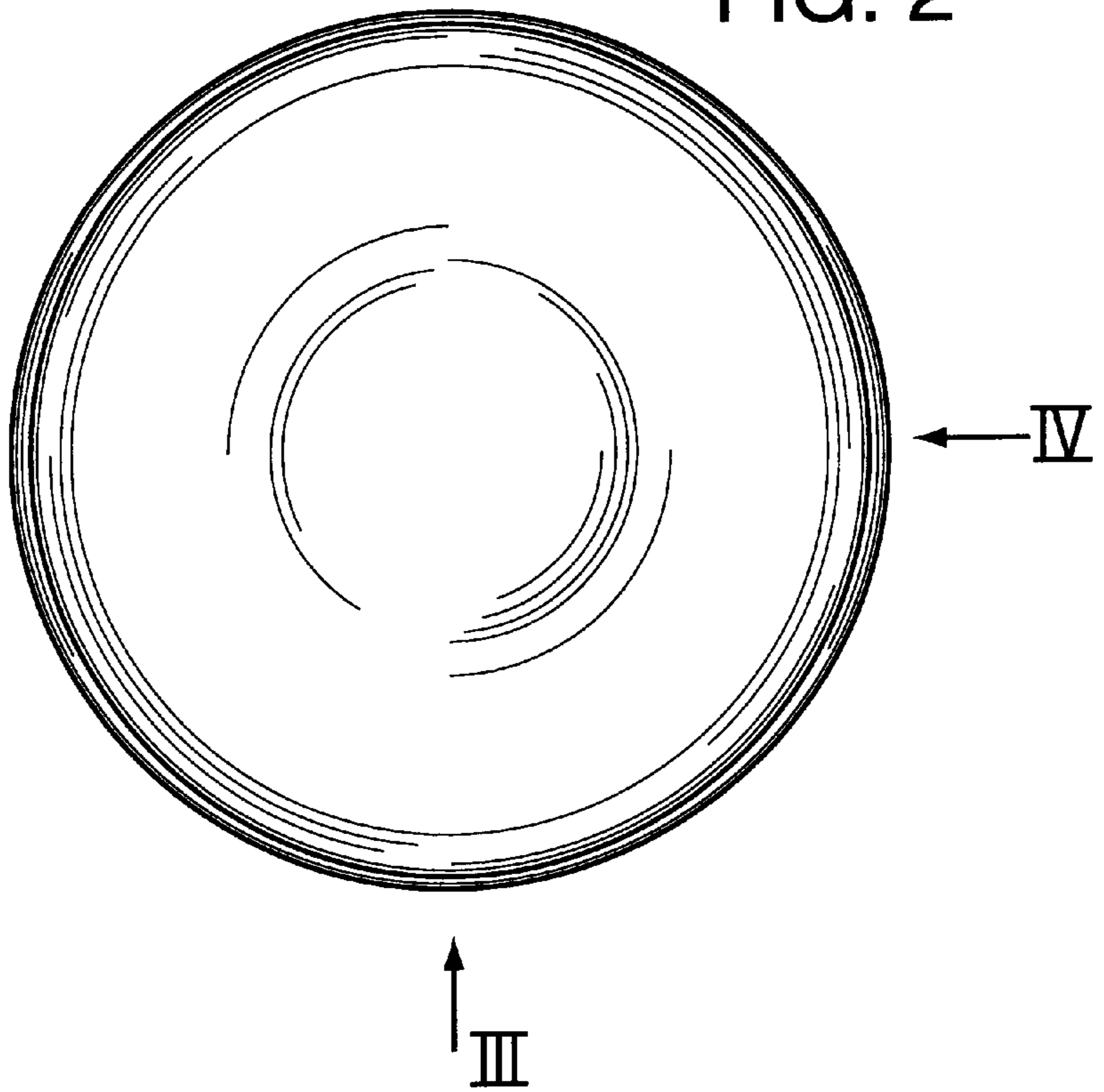


FIG. 4