



US00D432718S

United States Patent [19]

[11] **Patent Number: Des. 432,718**

Sartena

[45] **Date of Patent: ** Oct. 24, 2000**

[54] HAIR ORNAMENT

OTHER PUBLICATIONS

[75] Inventor: **Stacey Eve Sartena**, Great Neck, N.Y.

Hong Kong Enterprise Oct. 1989, p. 337: six hair ornaments in the lower left corner of page.

[73] Assignee: **Hair Blast, Inc.**, Great Neck, N.Y.

Hong Kong Enterprise Jan. 1998, p. 86: hair clips indicated by arrows.

[**] Term: **14 Years**

Primary Examiner—Catherine Tuttle
Attorney, Agent, or Firm—Notaro & Michalos P.C.

[21] Appl. No.: **29/098,789**

[22] Filed: **Jan. 6, 1999**

[57] CLAIM

[51] **LOC (7) Cl.** **28-03**

The ornamental design for a hair ornament, as shown and described.

[52] **U.S. Cl.** **D28/40; D28/41**

[58] **Field of Search** D28/25, 29, 39-43, D28/92, 93; D11/1, 2, 8, 18; 132/273, 275-279, 148; D2/865, 866, 895

DESCRIPTION

[56] References Cited

U.S. PATENT DOCUMENTS

48,677	7/1865	Grant et al.	132/275
D. 156,433	12/1949	Katz	D11/8
D. 261,181	10/1981	Sands	D28/32
D. 281,456	11/1985	Swedarsky et al.	D2/875
D. 384,786	10/1997	LaFauci	D28/40 X
452,156	5/1891	Bagshaw	132/148 X
2,849,007	8/1958	Behr	132/275
4,315,362	2/1982	Pigford et al.	29/433
4,406,296	9/1983	Wexler et al.	132/148
4,998,186	3/1991	Cocca	362/103
5,138,720	8/1992	Campbell	2/207
5,154,196	10/1992	Moffat	132/278
5,803,096	9/1998	Lie	132/277

FIG. 1 is a front elevational view of my design for a hair ornament;

FIG. 2 is a back elevational view of the hair ornament of FIG. 1;

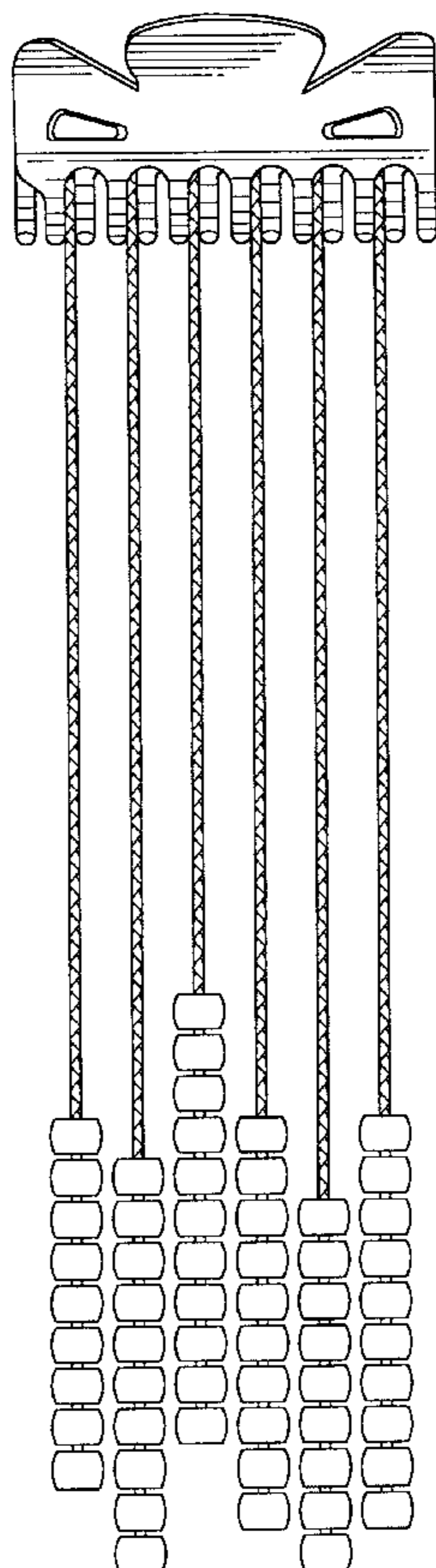
FIG. 3 is a right side elevational view of the hair ornament of FIG. 1;

FIG. 4 is a left side elevational view of the hair ornament of FIG. 1;

FIG. 5 is a top plan view of the hair ornament of FIG. 1; and, FIG. 6 is a bottom plan view of the hair ornament of FIG. 1.

The surface(s) or portion(s) of the article not shown in the drawing or described in the specification form(s) no part of the claimed design.

1 Claim, 5 Drawing Sheets



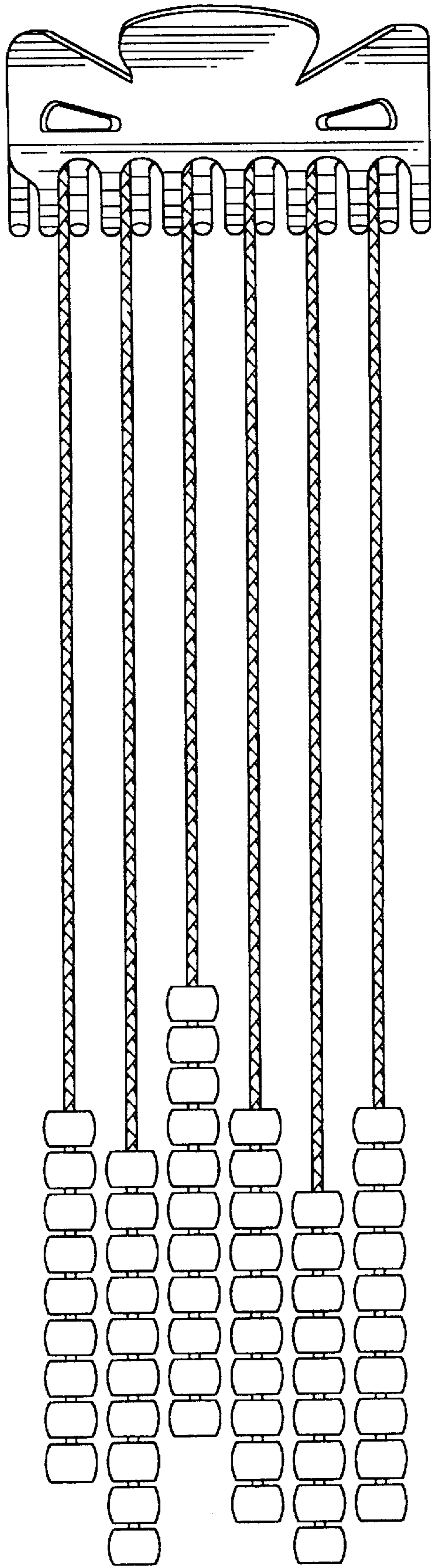


FIG. 1

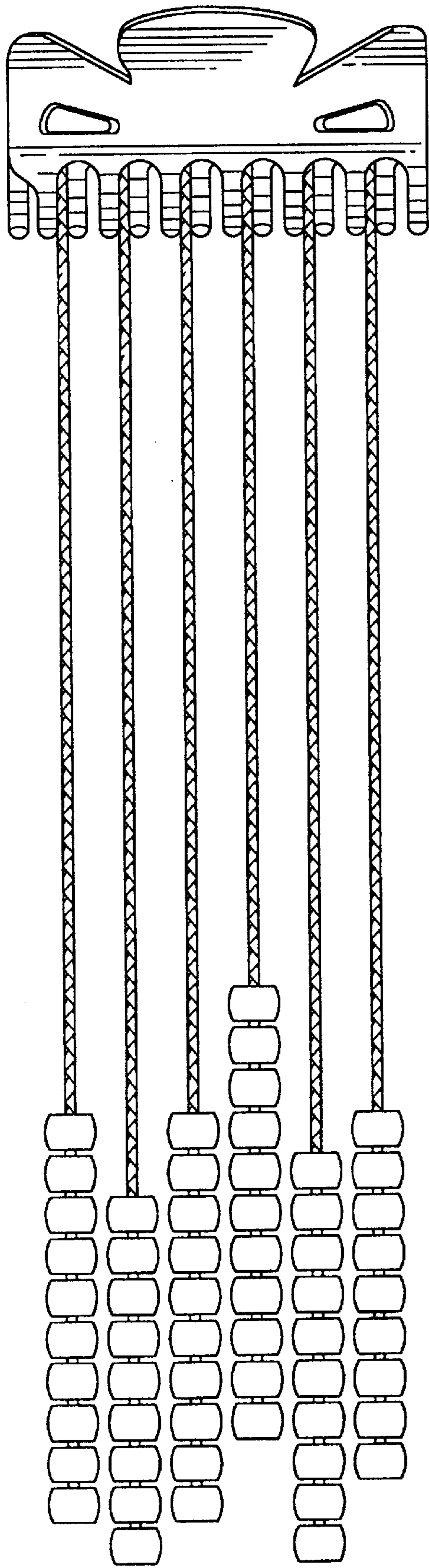


FIG. 2

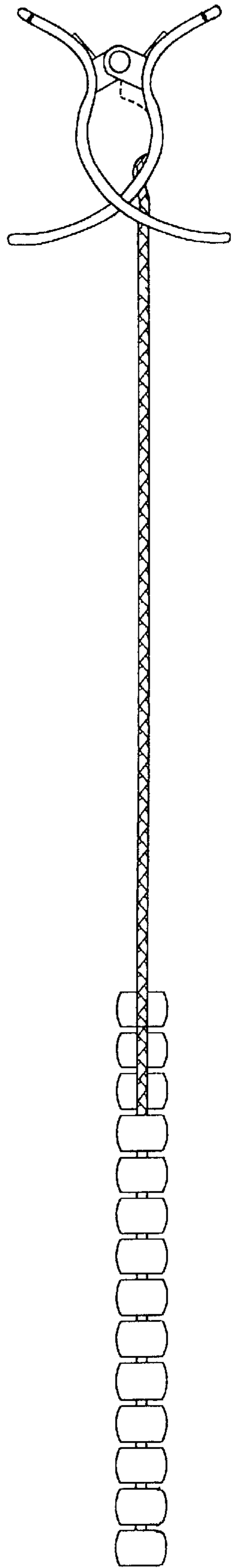


FIG. 3

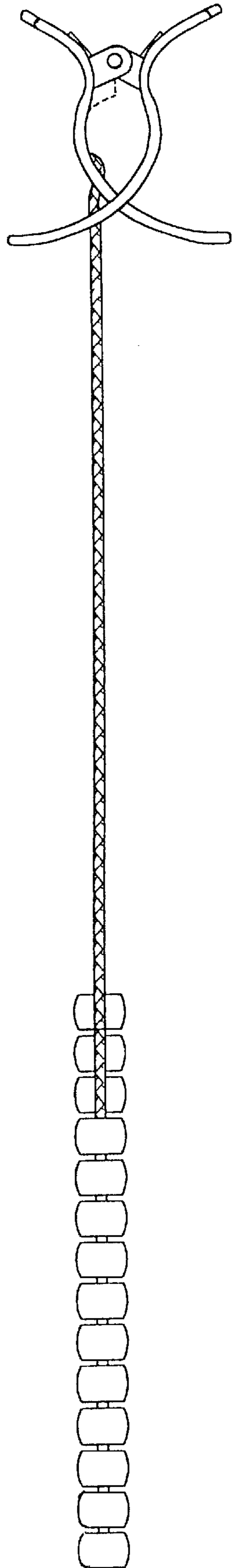


FIG. 4

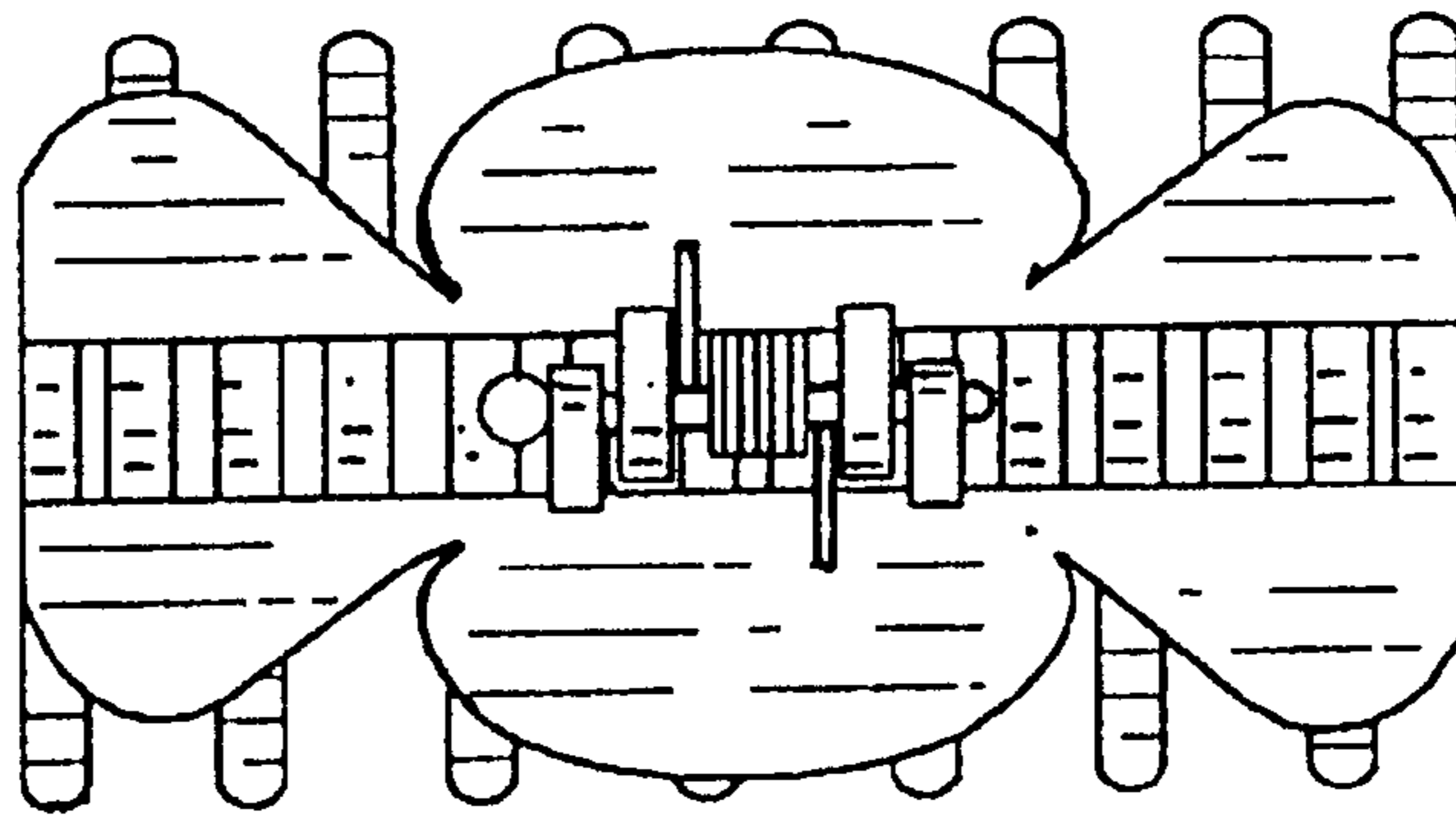


FIG. 5

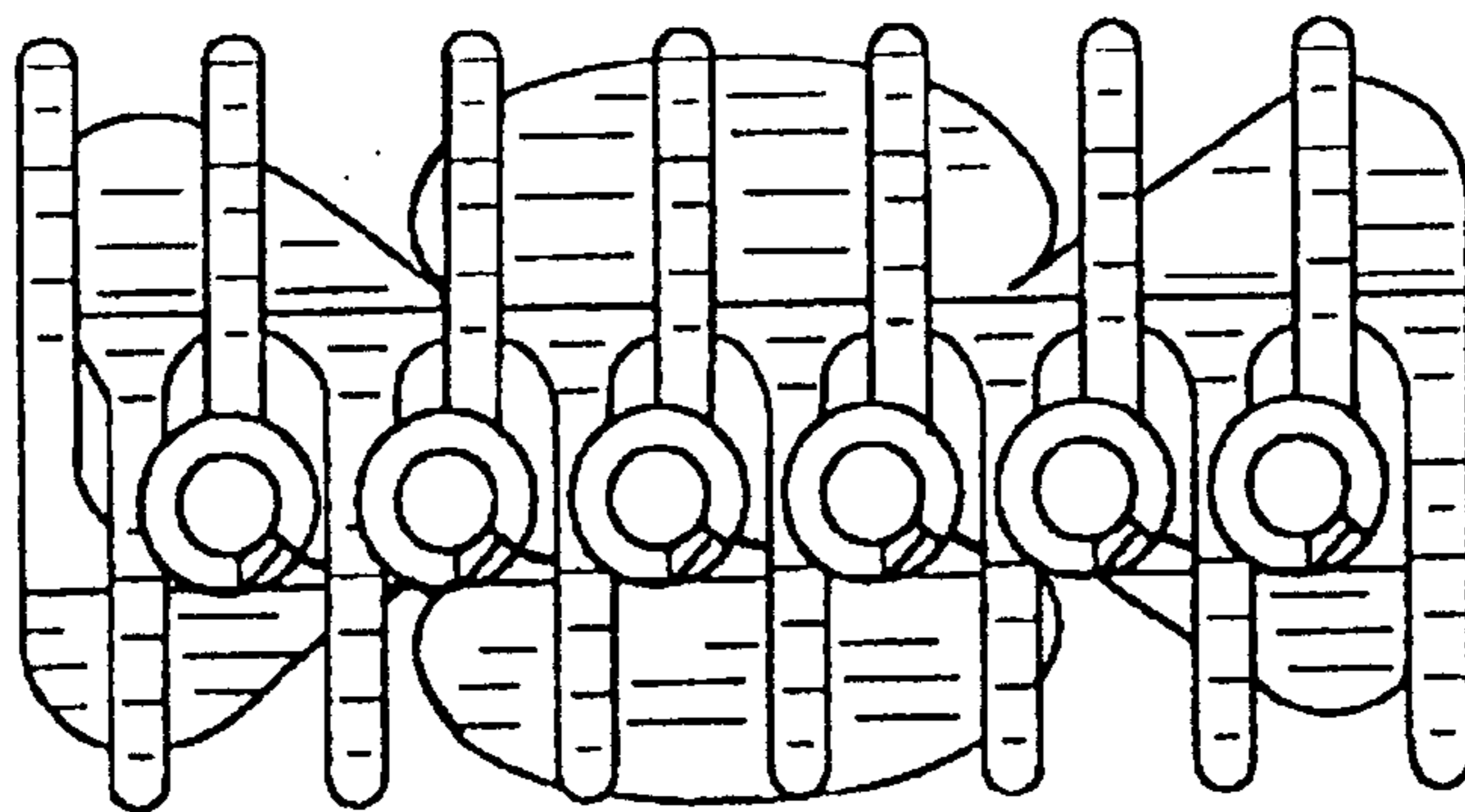


FIG. 6