

US00D432717S

United States Patent [19]

Micinilio et al.

[11] Patent Number: **Des. 432,717**

[45] Date of Patent: **** Oct. 24, 2000**

[54] **HAIR DRYER**

[75] Inventors: **Gregg A. Micinilio**, Trumbull; **Joseph M. Sulik**, Bridgeport, both of Conn.

[73] Assignee: **Remington Corporation L.L.C.**, Bridgeport, Conn.

[**] Term: **14 Years**

[21] Appl. No.: **29/118,664**

[22] Filed: **Feb. 11, 2000**

[51] **LOC (7) Cl.** **28-03**

[52] **U.S. Cl.** **D28/13; D28/18**

[58] **Field of Search** D28/12, 13, 14, D28/15, 16, 17, 18; 34/96, 97, 98, 100, 101; 392/379, 380, 383, 384, 385; 132/271

[56] **References Cited**

U.S. PATENT DOCUMENTS

| | | | | |
|------------|---------|---------|-------|--------|
| D. 227,816 | 7/1973 | Madl | | D28/13 |
| D. 286,924 | 11/1986 | Muller | | D28/13 |
| D. 392,413 | 3/1998 | Gudefin | | D28/18 |
| D. 407,847 | 4/1999 | Gudefin | | D28/13 |
| D. 422,114 | 3/2000 | Gudefin | | D28/13 |

| | | | | |
|-----------|---------|-----------------|-------|-----------|
| 4,198,558 | 4/1980 | Benty | | 392/385 |
| 4,918,289 | 4/1990 | Ohlsen et al. | | 392/379 |
| 5,612,849 | 3/1997 | Prehodka et al. | | 392/380 X |
| 5,983,517 | 11/1999 | Ehlhardt | | 132/271 X |
| 6,011,903 | 1/2000 | Nosenchuck | | 392/385 |

Primary Examiner—Paula A. Mortimer
Attorney, Agent, or Firm—Melvin I. Stoltz

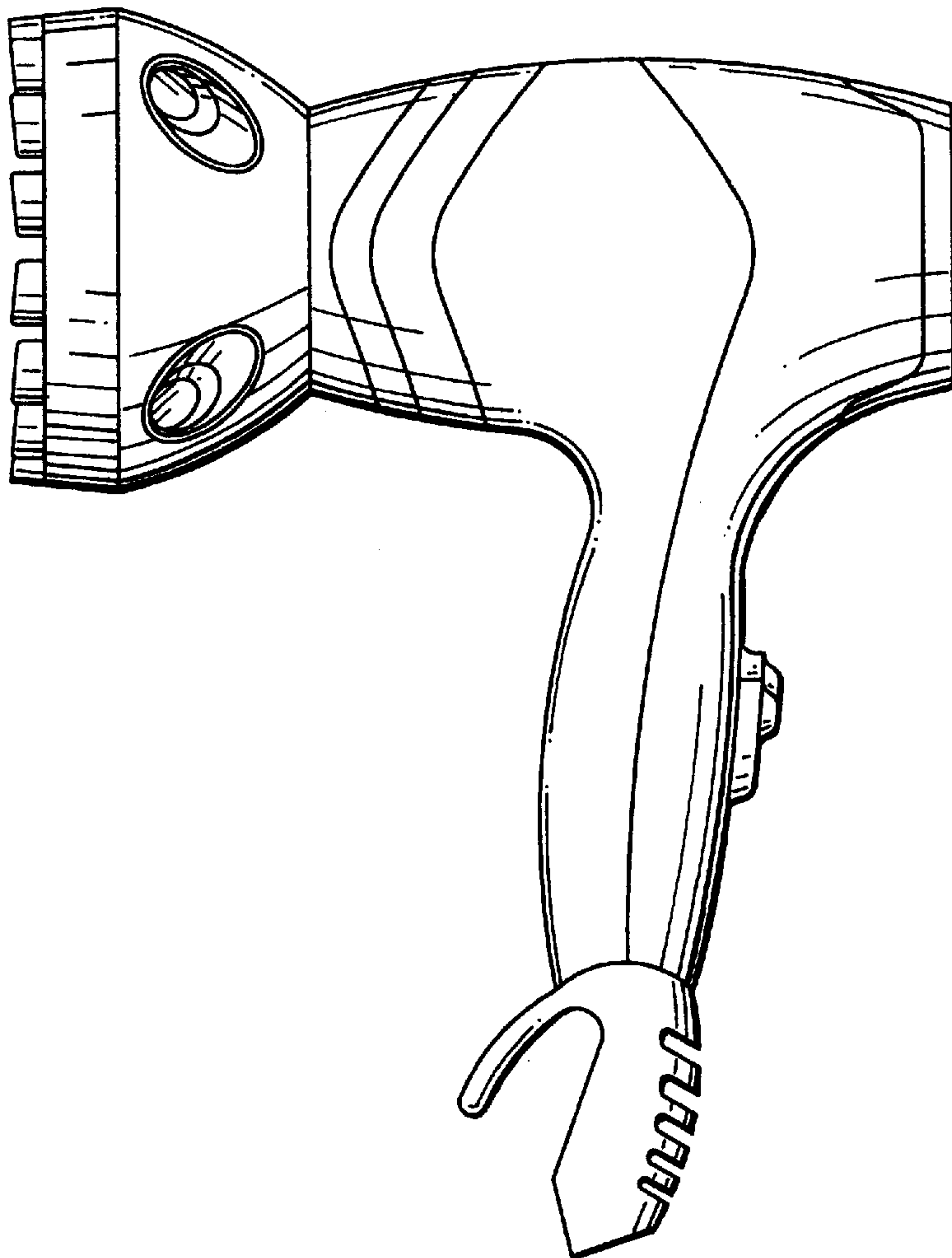
[57] **CLAIM**

The ornamental design for the hair dryer, as shown and described.

DESCRIPTION

FIG. 1 is a perspective view of the hair dryer showing my our design;
FIG. 2 is a side elevational view, looking from the left side of FIG. 3;
FIG. 3 is a rear elevational view thereof;
FIG. 4 is a side elevational view thereof, looking from the right side of FIG. 3;
FIG. 5 is a front elevational view thereof;
FIG. 6 is a top plan view thereof; and,
FIG. 7 is a bottom plan view thereof.

1 Claim, 4 Drawing Sheets



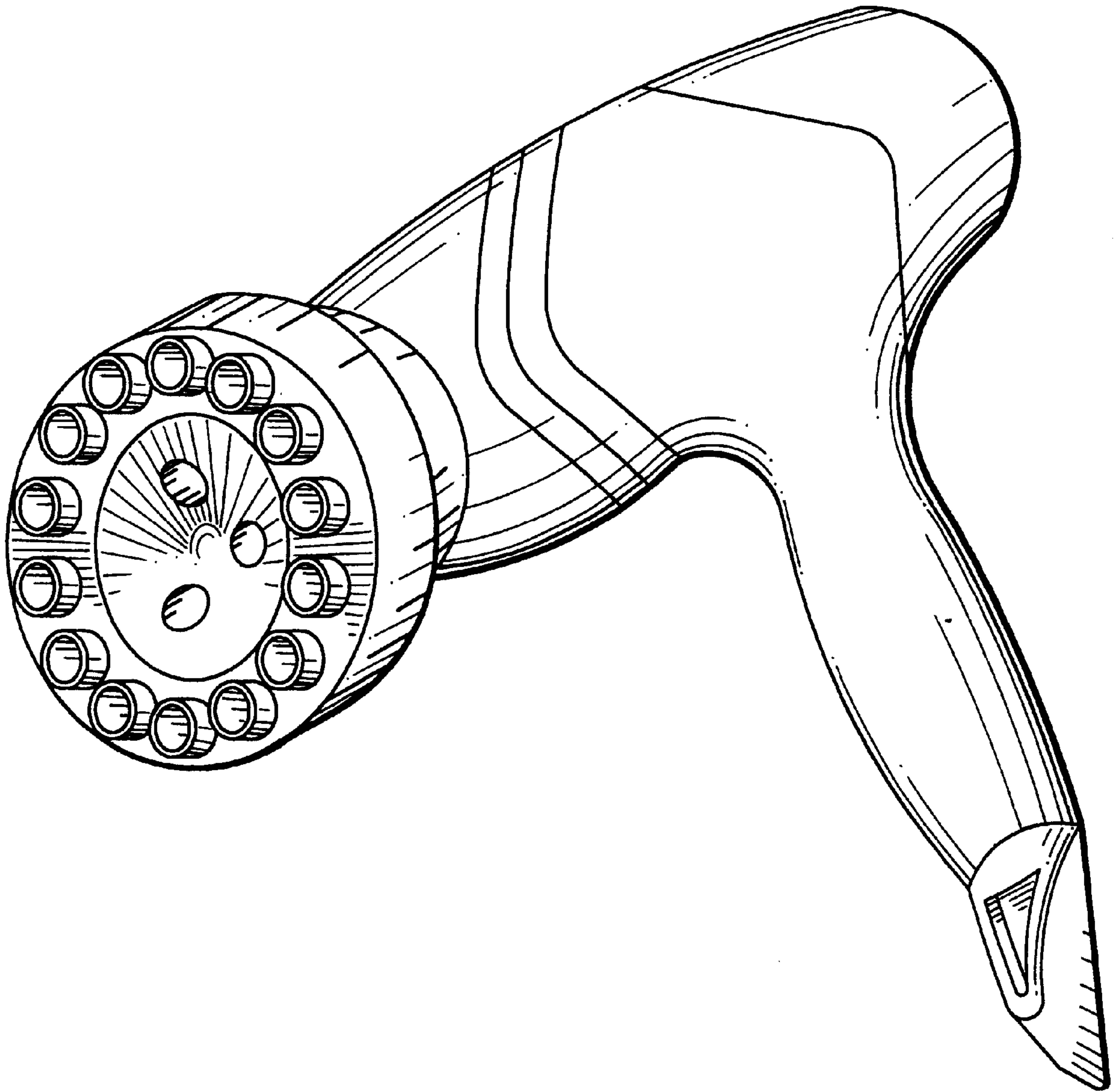


FIG. 1

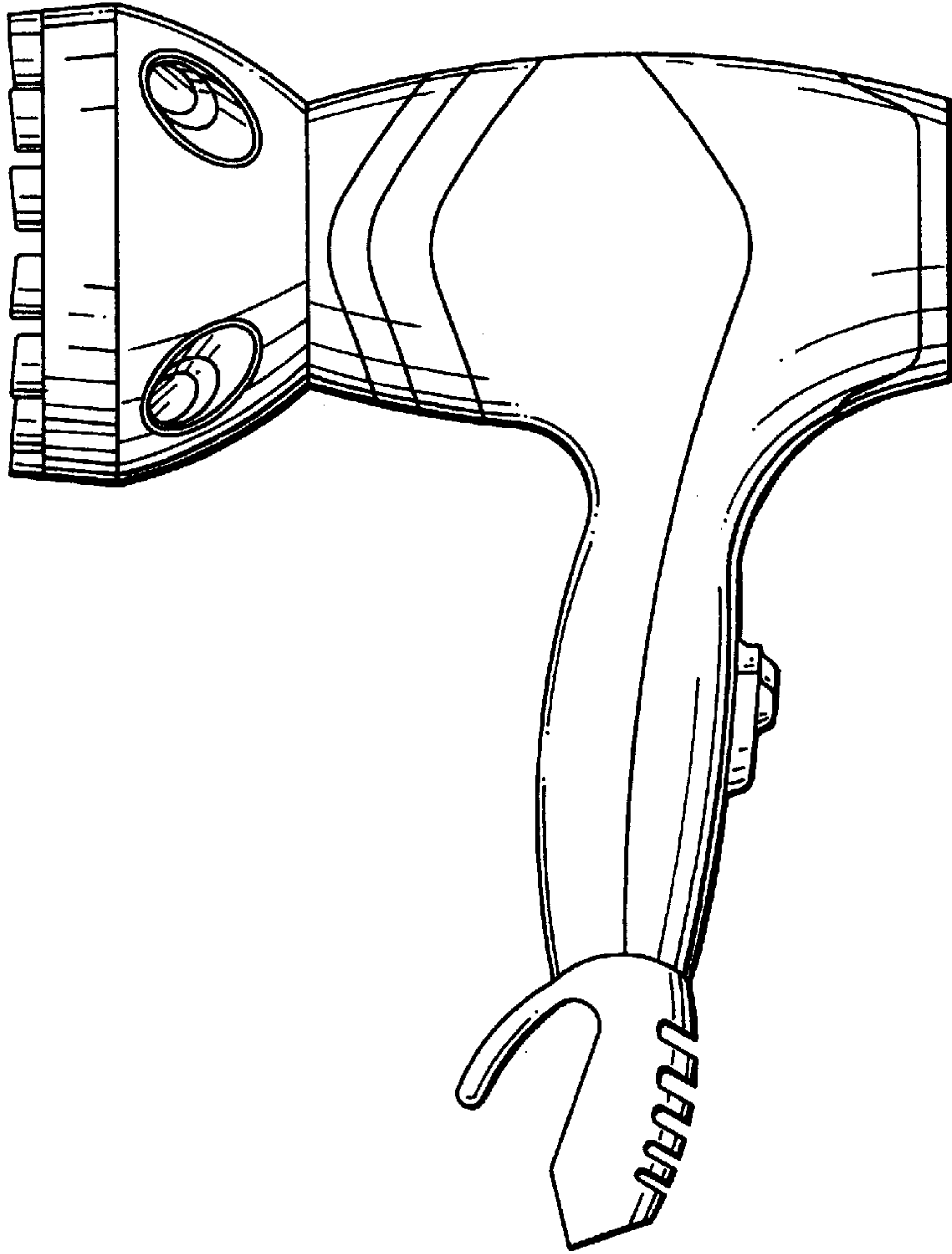


FIG. 2

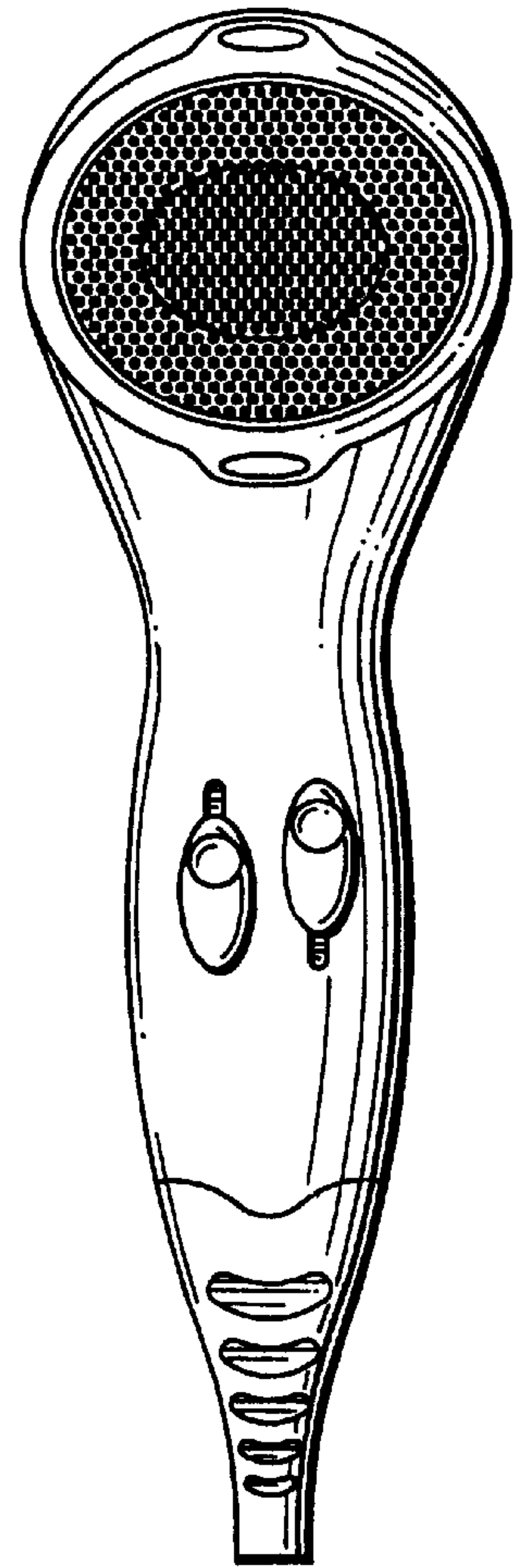


FIG. 3

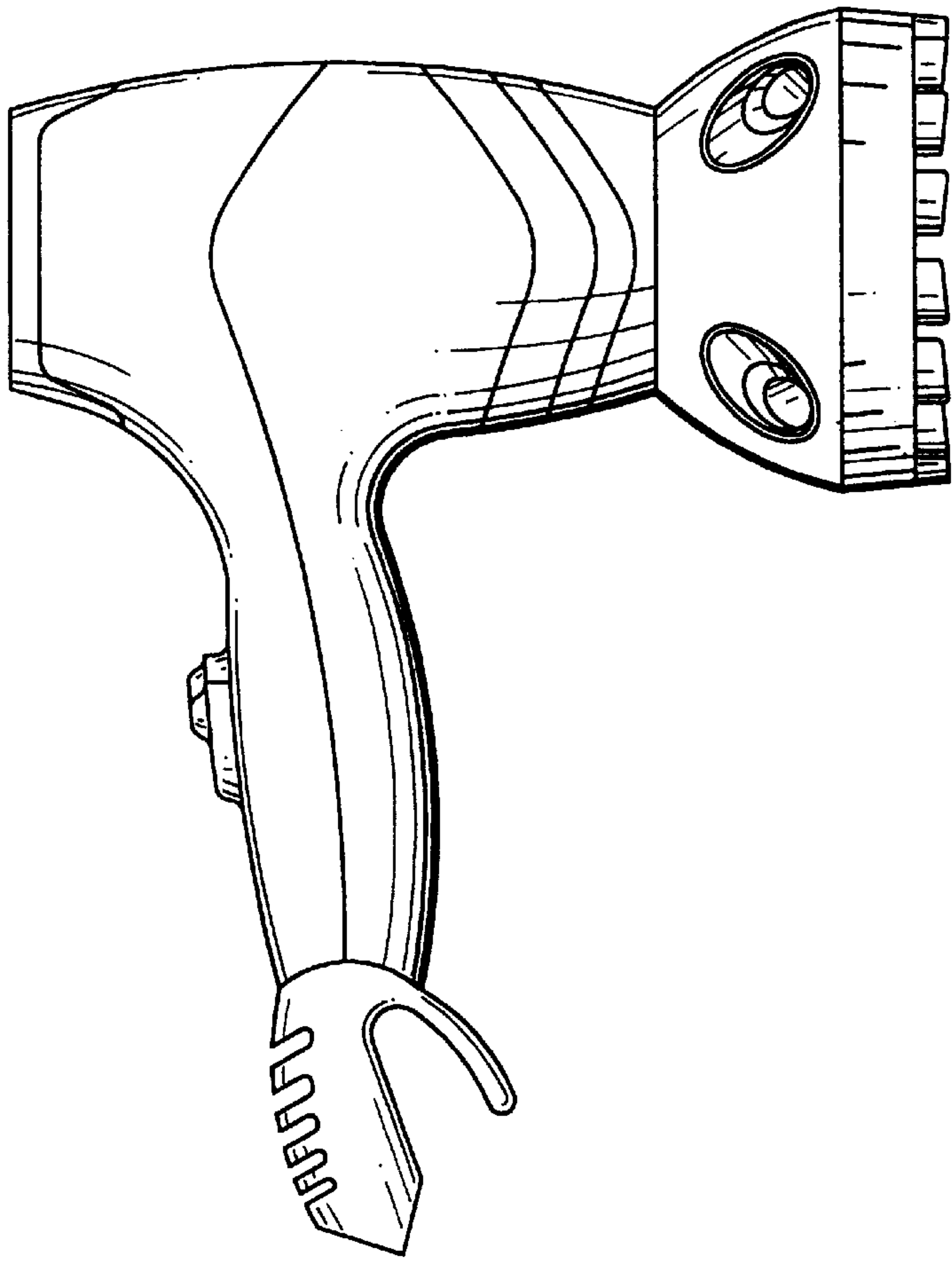


FIG. 4

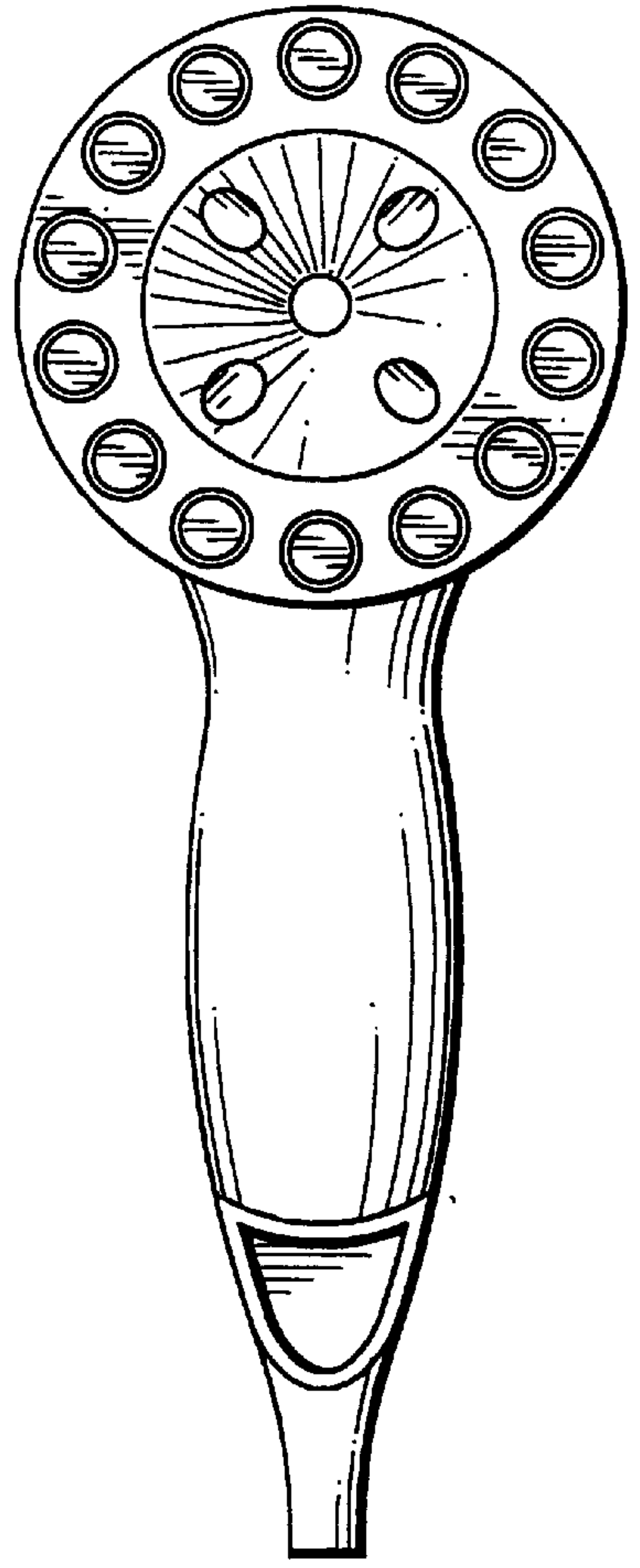


FIG. 5

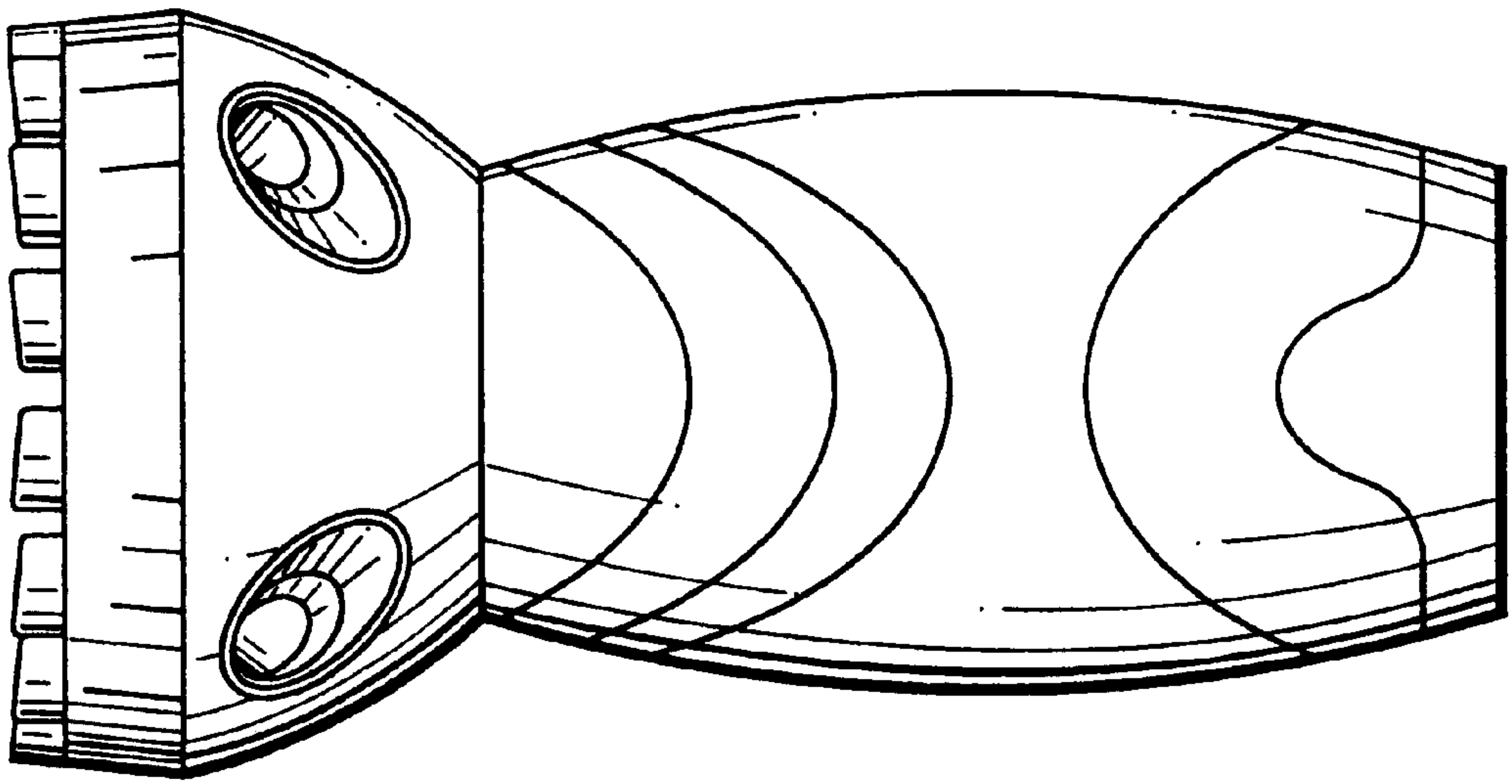


FIG. 6

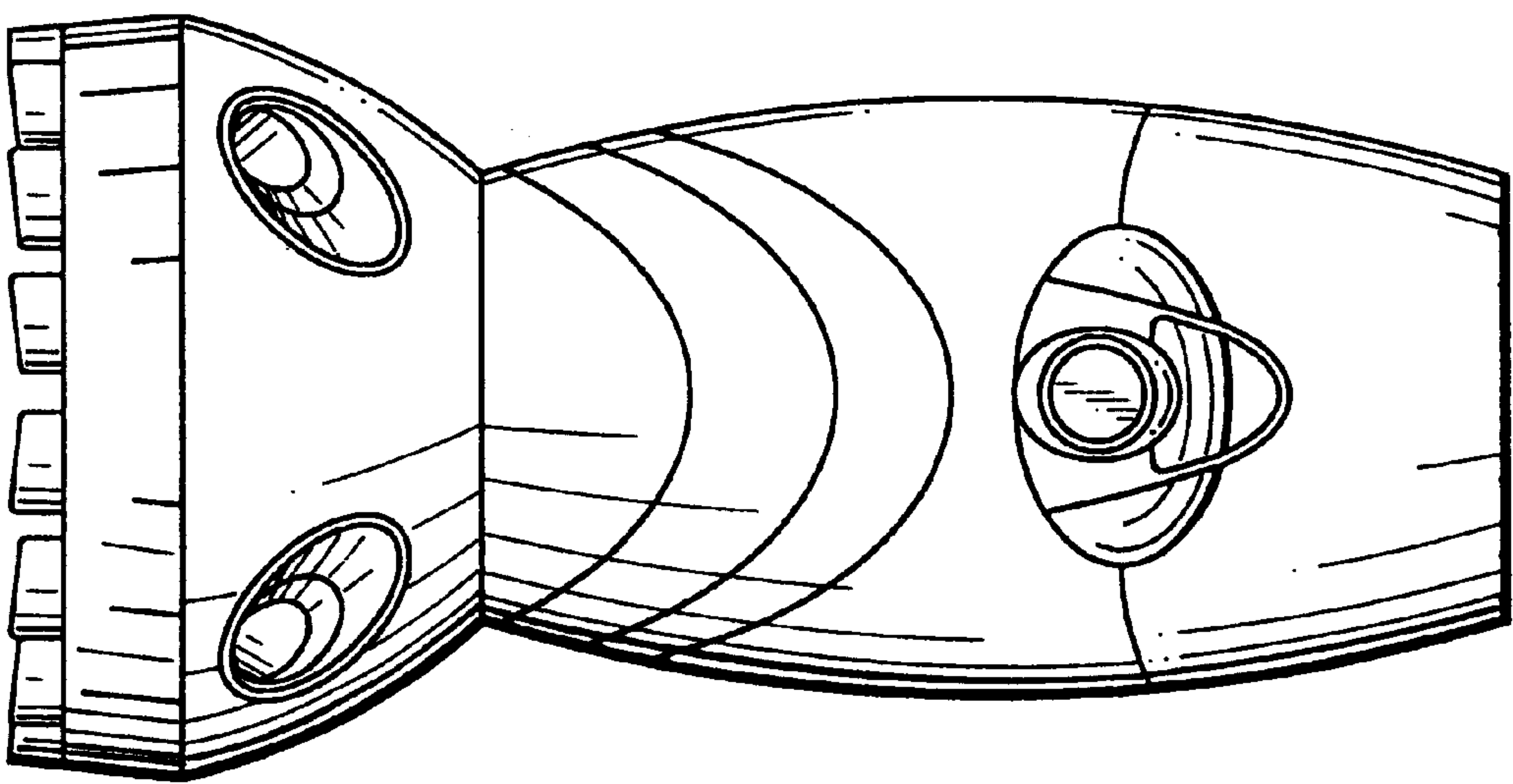


FIG. 7