



US00D432709S

United States Patent [19]

Hsu

[11] **Patent Number: Des. 432,709**

[45] **Date of Patent: ** Oct. 24, 2000**

[54] **LAMP SHADE**

[75] Inventor: **Keen Hsu**, Taichung, Taiwan

[73] Assignee: **Bright Yin Huey Co., Ltd.**, Taichung, Taiwan

[**] Term: **14 Years**

[21] Appl. No.: **29/103,723**

[22] Filed: **Apr. 21, 1999**

[51] **LOC (7) Cl.** **26-05**

[52] **U.S. Cl.** **D26/128; D26/85**

[58] **Field of Search** **D26/72, 80-92; 362/147, 404-408**

[56] **References Cited**

U.S. PATENT DOCUMENTS

- D. 75,869 7/1928 Pfeiffer D26/119
- D. 197,187 12/1963 Laskar D26/119 X
- D. 424,736 5/2000 Johnson D26/119

OTHER PUBLICATIONS

Minka-Lavery lighting catalog, 1994, p. 93, ceiling lamp, # A 84-66.

Murray Feiss lighting catalog, Mar. 1995, p. 41, ceiling lamp # FM109-11.

Primary Examiner—Susan J. Lucas
Attorney, Agent, or Firm—Rosenberg, Klein & Lee

[57] **CLAIM**

The ornamental design for a lamp shade, as shown and described.

DESCRIPTION

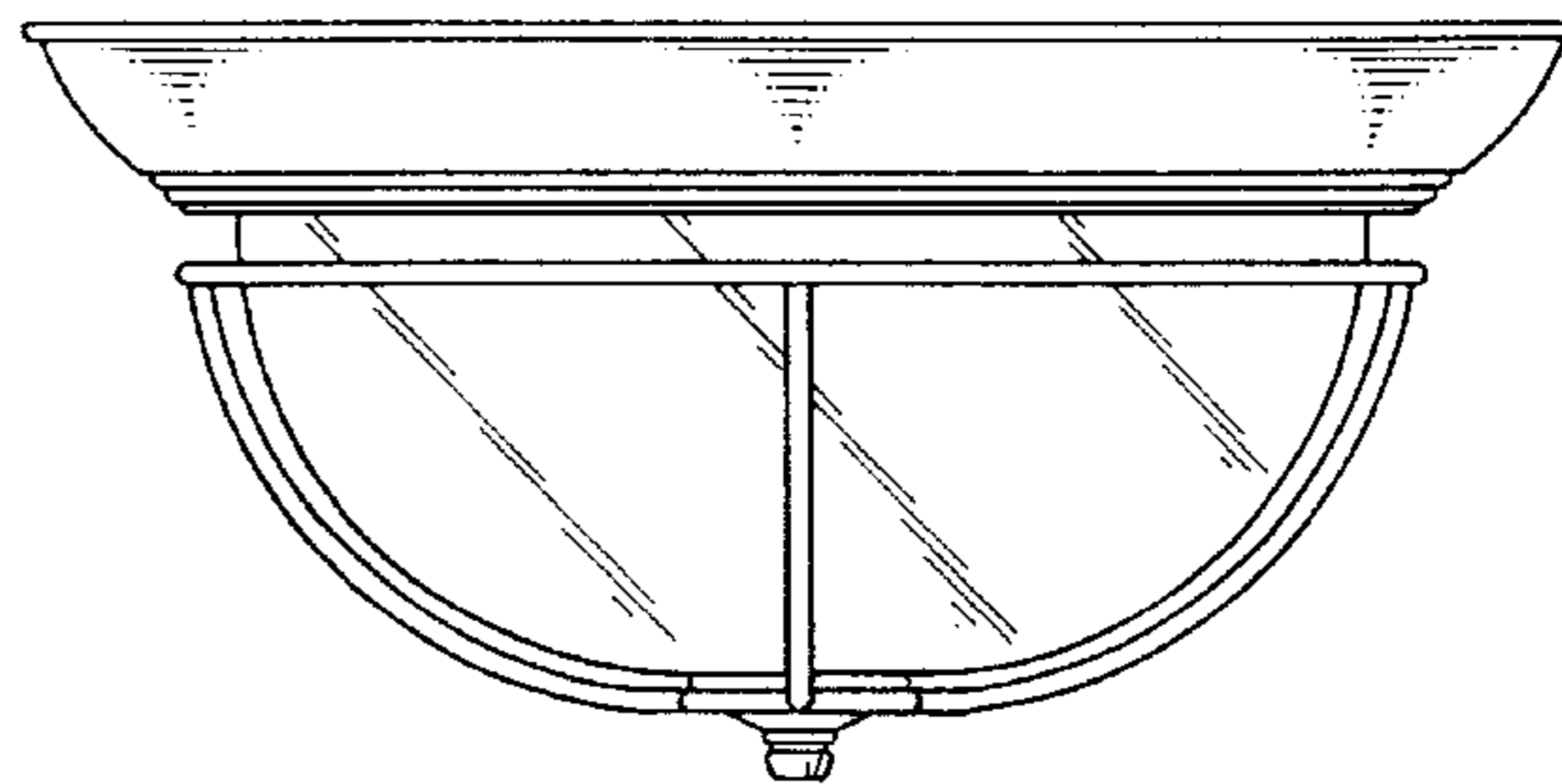
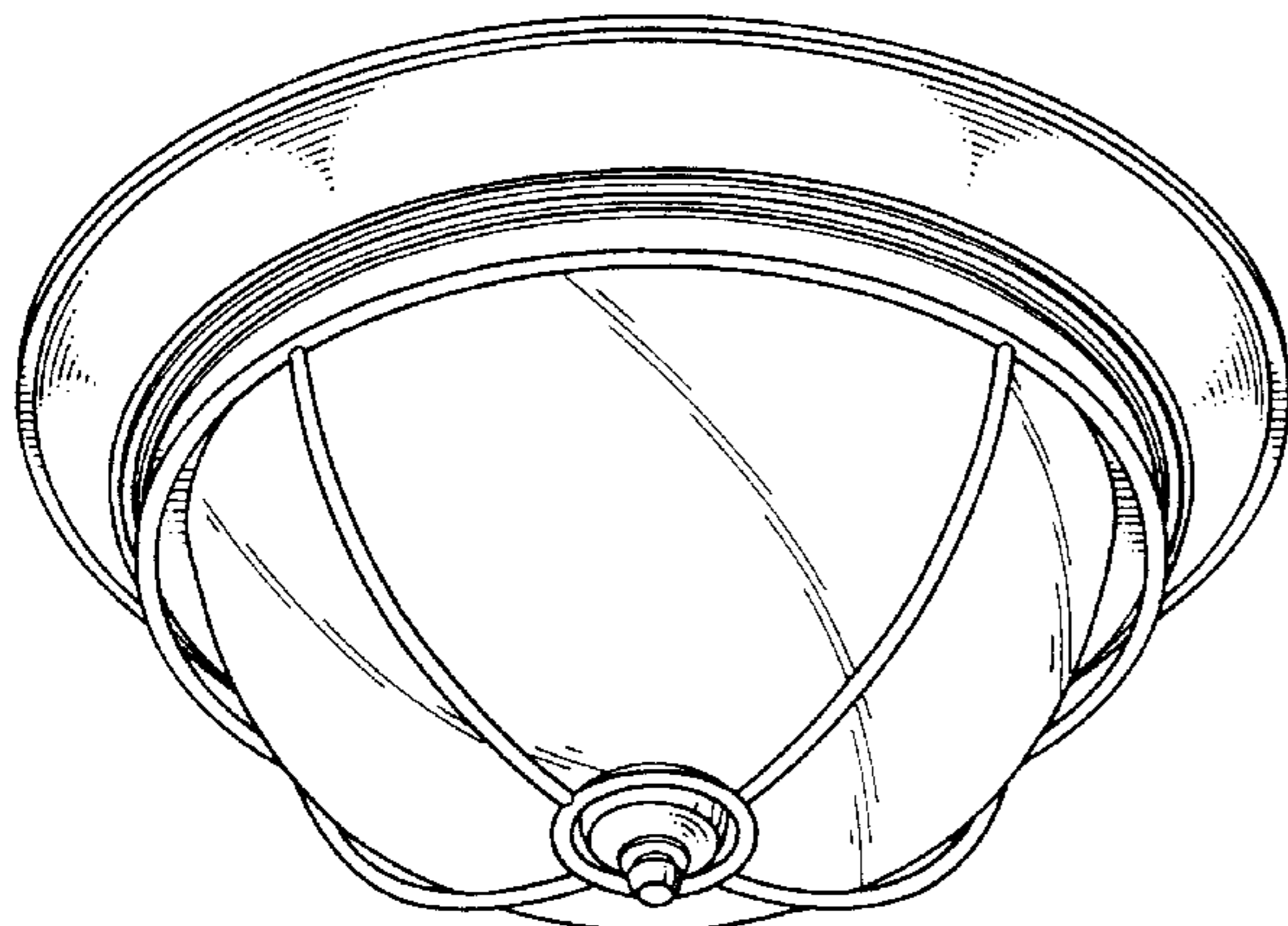
FIG. 1 is a perspective view of a lamp shade showing my new design;

FIG. 2 is a front elevation view thereof, the rear, the left and the right side elevation view thereof being identical in appearance;

FIG. 3 is a top plan view thereof; and,

FIG. 4 is a bottom plan view thereof.

1 Claim, 3 Drawing Sheets



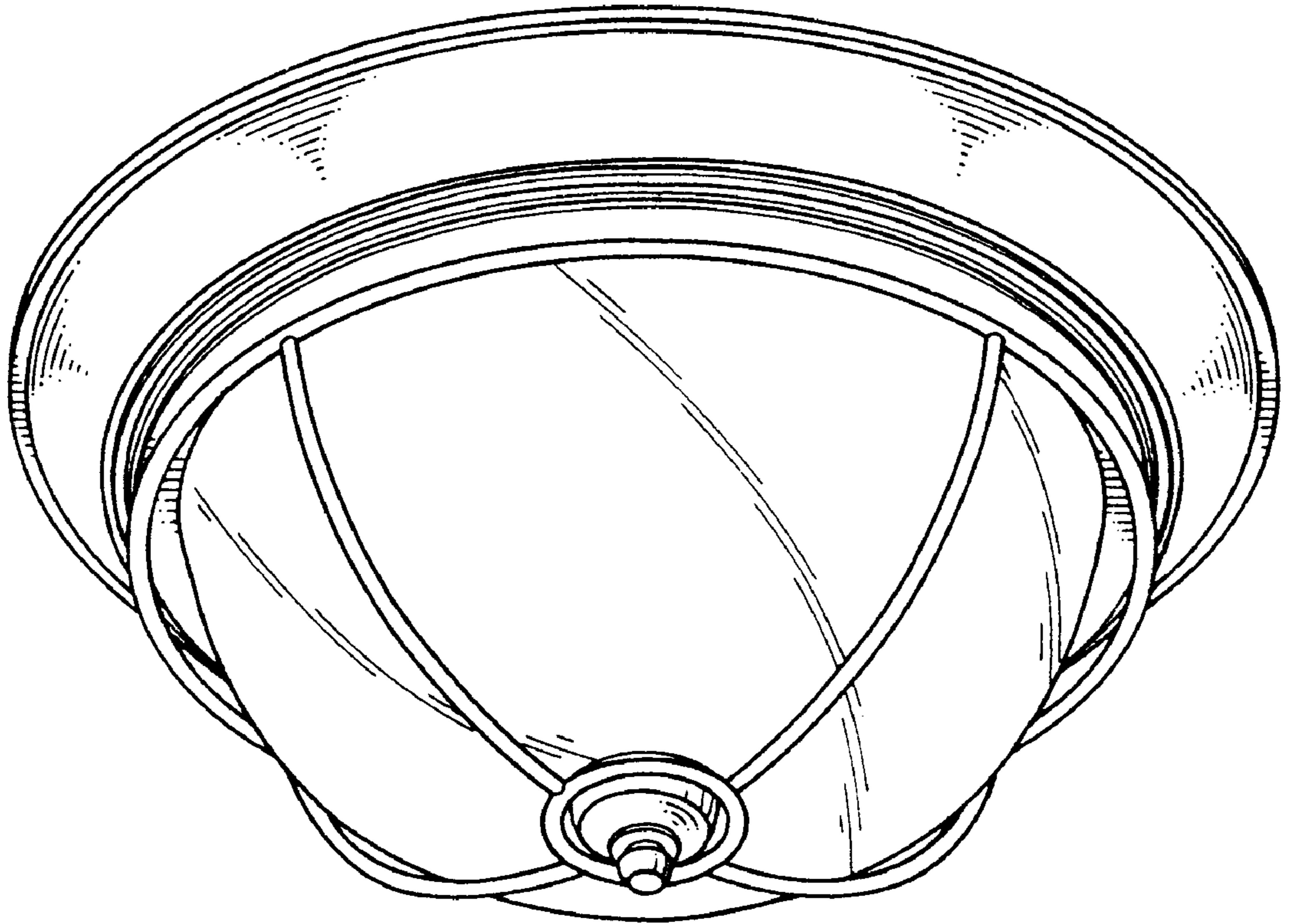


FIG. 1

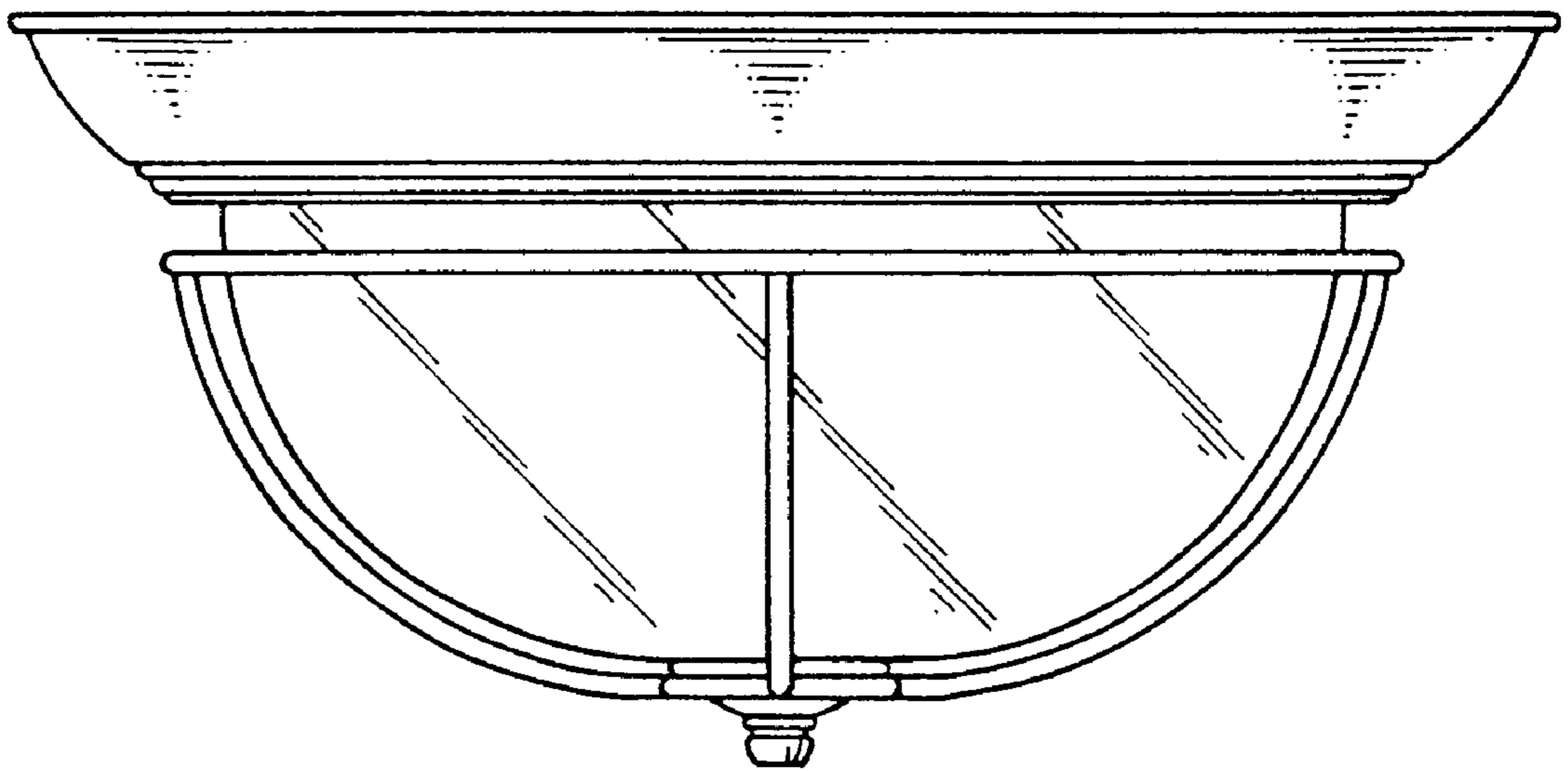


FIG. 2

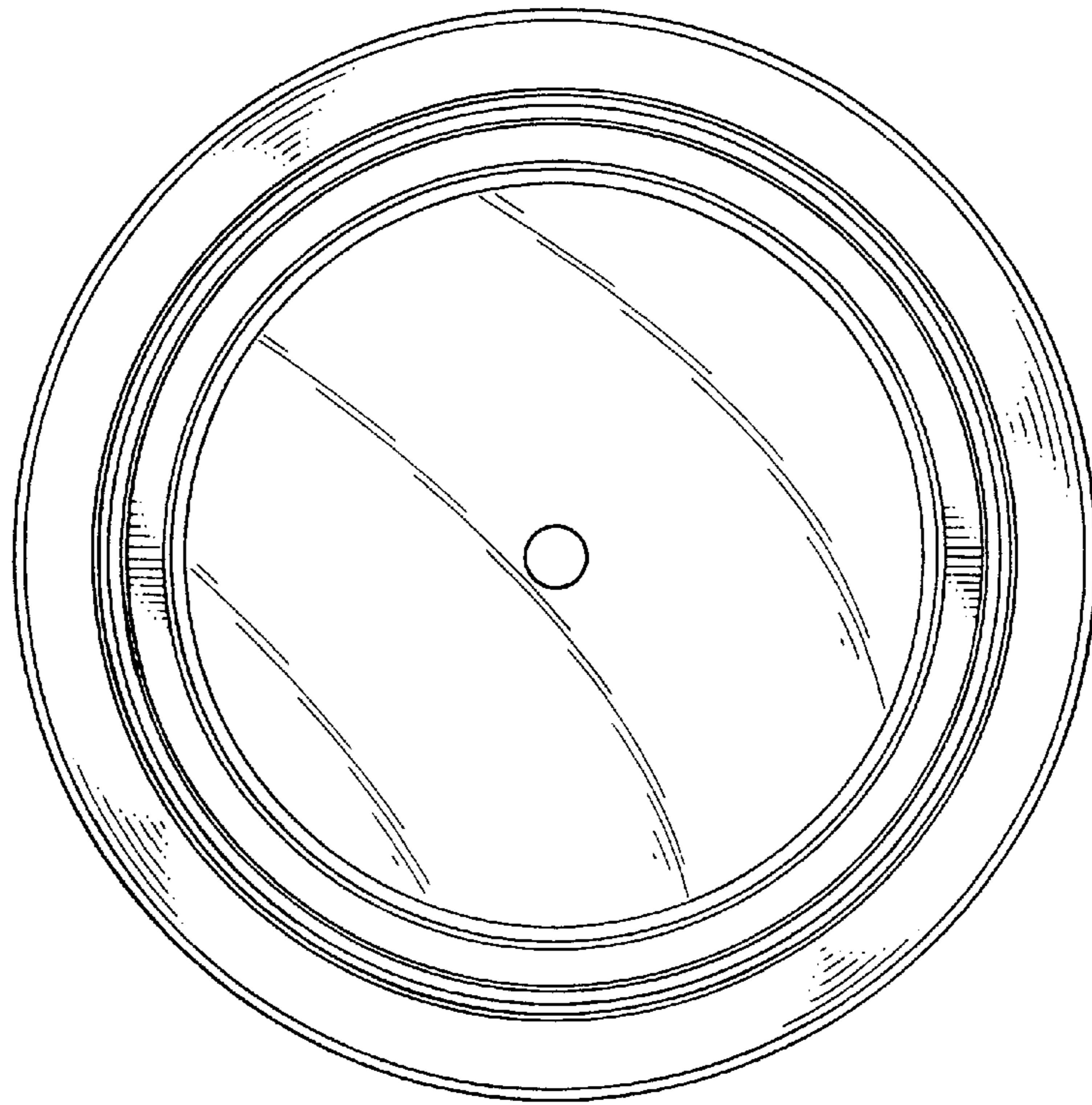


FIG. 3

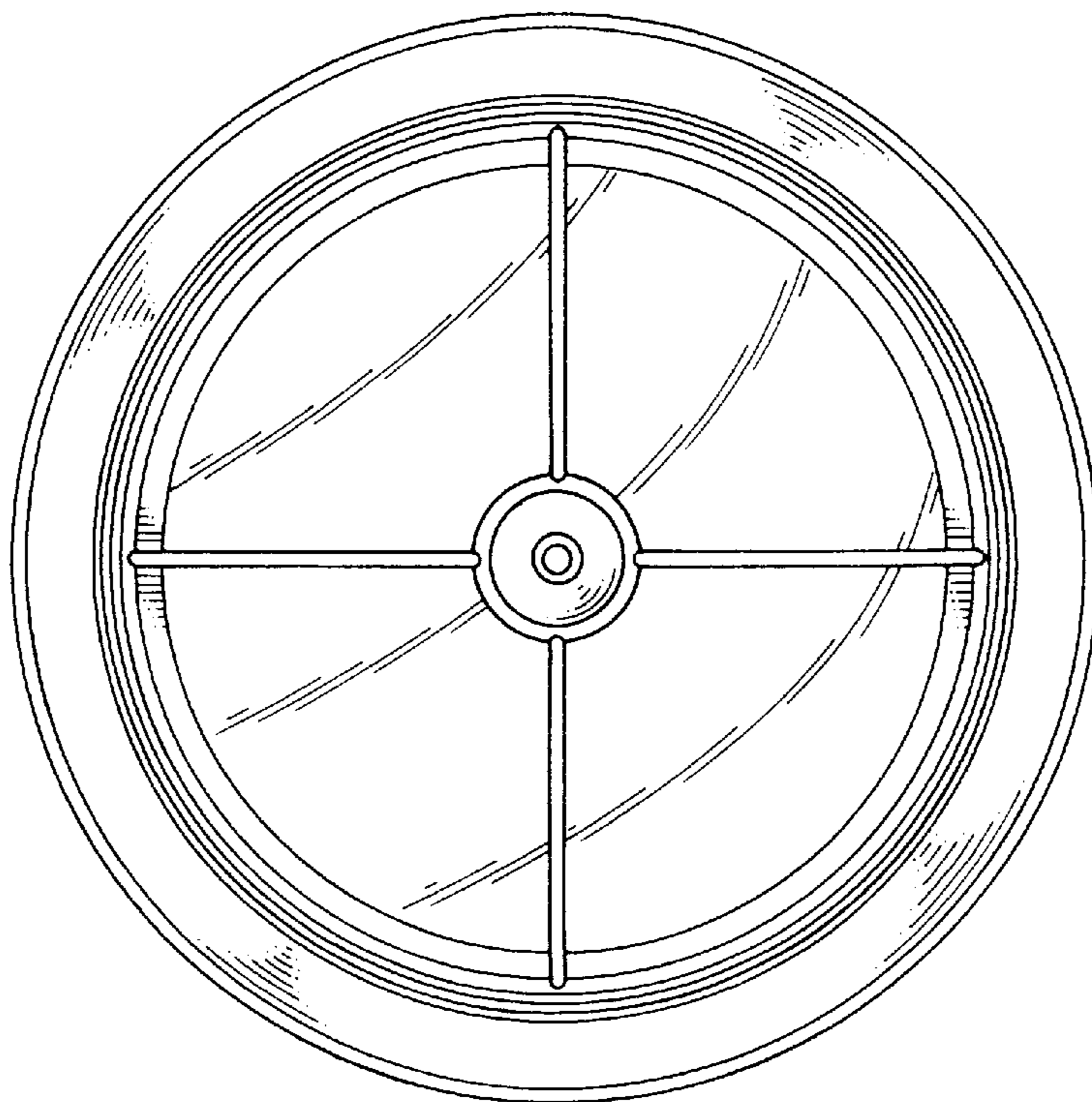


FIG. 4