



US00D432708S

United States Patent [19]

Wachter et al.

[11] **Patent Number: Des. 432,708**

[45] **Date of Patent: ** Oct. 24, 2000**

[54] **SCOOP SHADE FOR MOUNTING ON A TRACK LAMPHOLDER**

[75] Inventors: **Peter F. Wachter**, Northfield; **John J. O'Rourke**, Downers Grove, both of Ill.

[73] Assignee: **Juno Manufacturing, Inc.**, Des Plaines, Ill.

[**] Term: **14 Years**

[21] Appl. No.: **29/119,044**

[22] Filed: **Feb. 23, 2000**

[51] **LOC (7) Cl.** **26-99**

[52] **U.S. Cl.** **D26/118; D26/65**

[58] **Field of Search** D26/60-66, 118; 362/267, 271, 272, 275, 276, 288, 427, 428, 429, 341, 345, 347, 349, 359, 361, 362, 374, 375, 383, 384, 385

[56] **References Cited**

U.S. PATENT DOCUMENTS

- D. 389,268 1/1998 Kay D26/118
- D. 398,415 9/1998 Markee D26/118 X

Primary Examiner—Susan J. Lucas
Attorney, Agent, or Firm—Anthony S. Zimmer

[57] **CLAIM**

The ornamental design for a scoop shade for mounting on a track lampholder, as shown and described.

DESCRIPTION

FIG. 1 is a perspective view of a scoop shade for mounting on a track lampholder showing my design with the lampholder, adapter, and track shown in phantom;
 FIG. 2 is a right elevational view of the scoop shade for mounting on a track lampholder as shown in FIG. 1, and the left elevational view is identical;
 FIG. 3 is a front elevational view of the scoop shade for mounting on a track lampholder as shown in FIG. 1;
 FIG. 4 is a rear elevational view of the scoop shade for mounting on a track lampholder as shown in FIG. 1;
 FIG. 5 is a top view of the scoop shade for mounting on a track lampholder as shown in FIG. 1; and,
 FIG. 6 is a bottom view of the scoop shade for mounting on a track lampholder as shown in FIG. 1.
 The phantom lines are shown for illustrative purposes only and form no part of the claimed design.

1 Claim, 2 Drawing Sheets

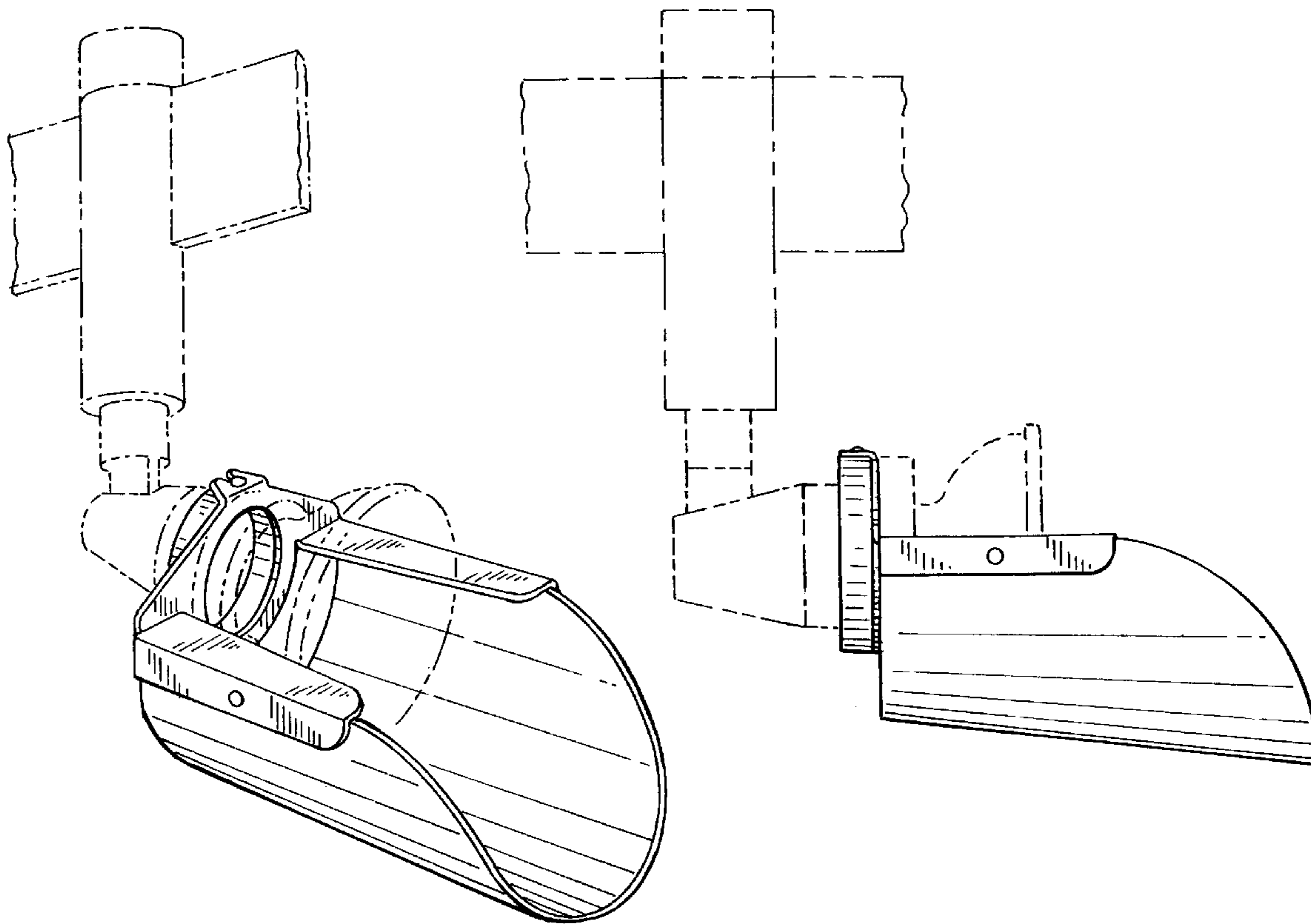


FIG.1

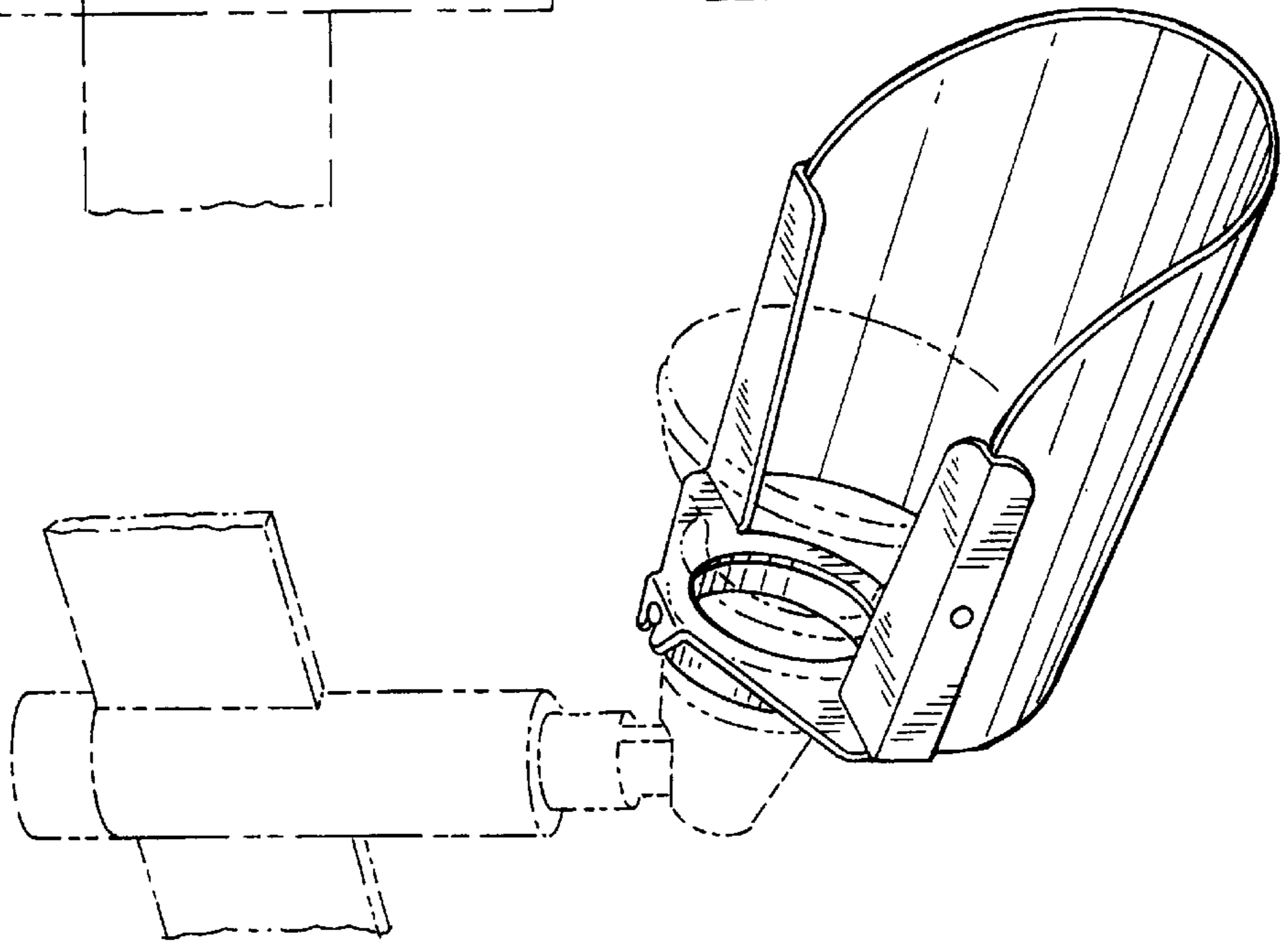


FIG.2

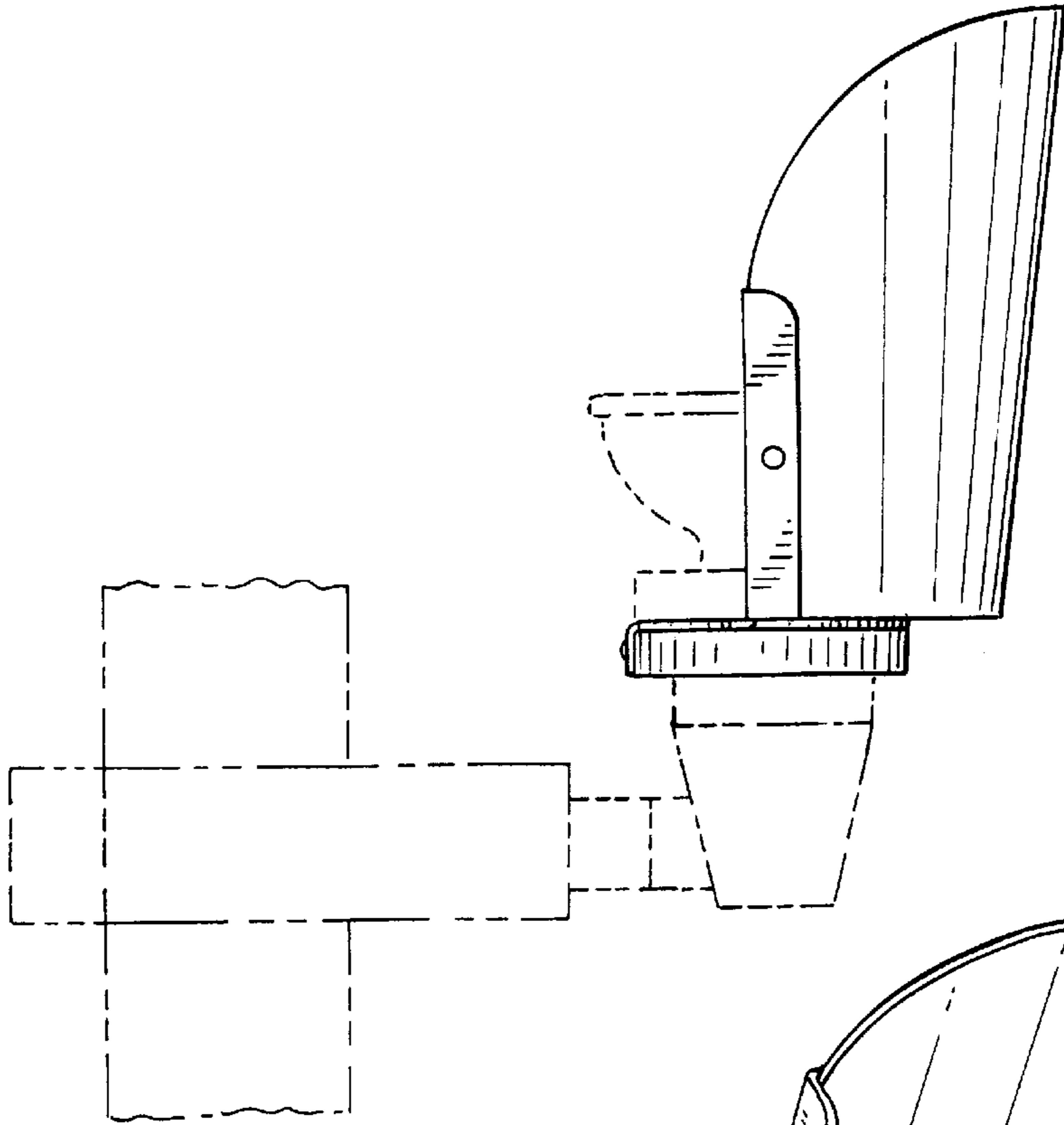


FIG.3

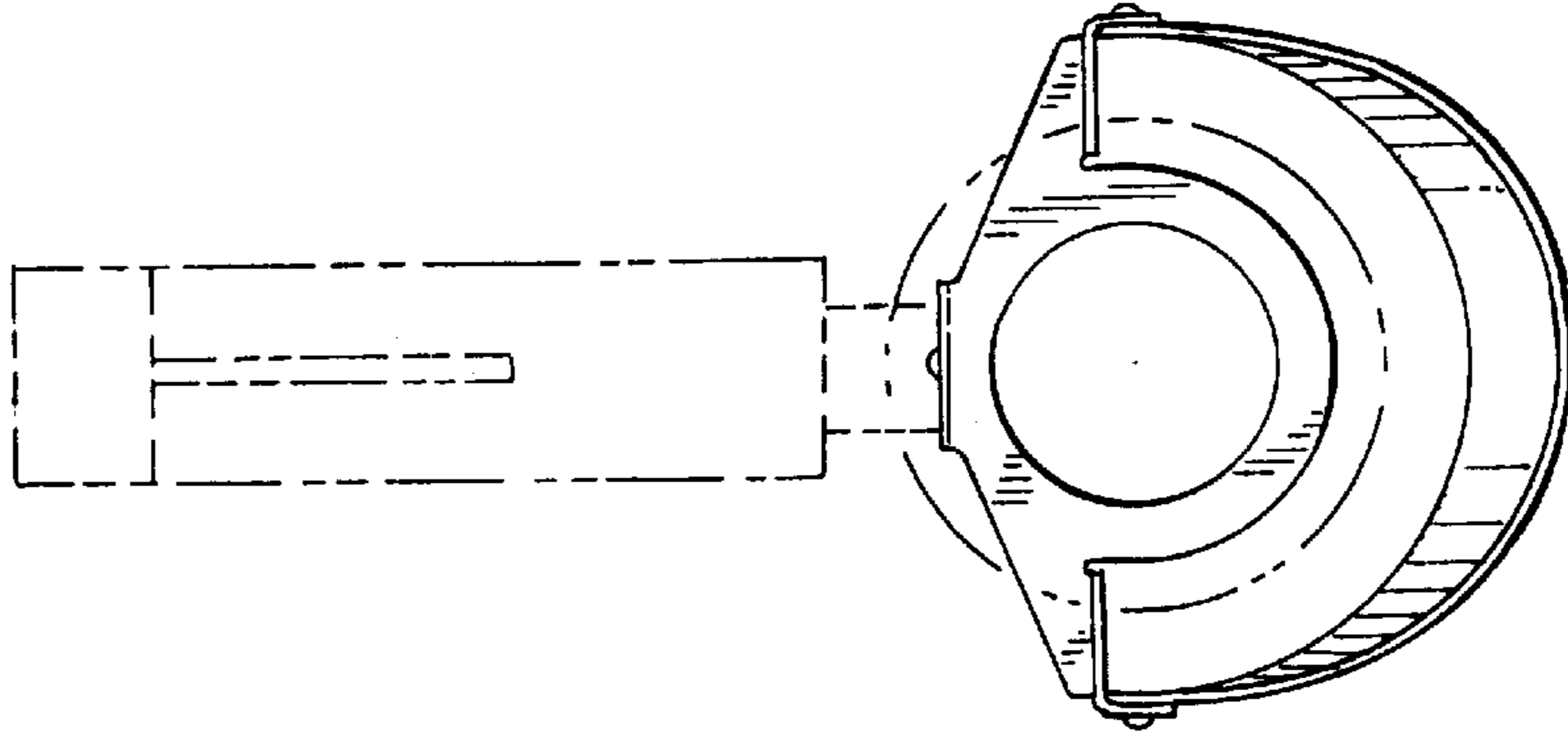


FIG. 5

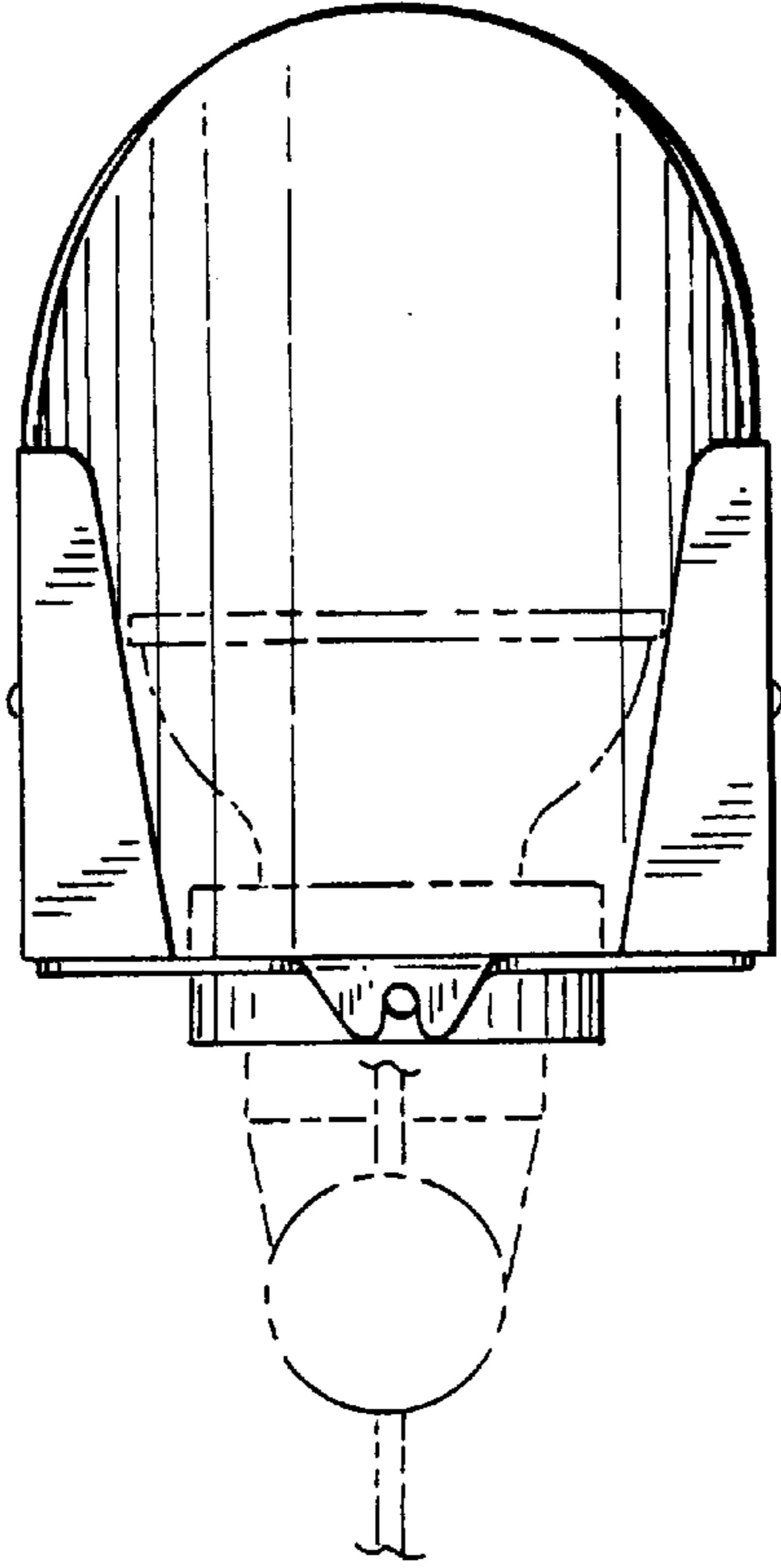


FIG. 6

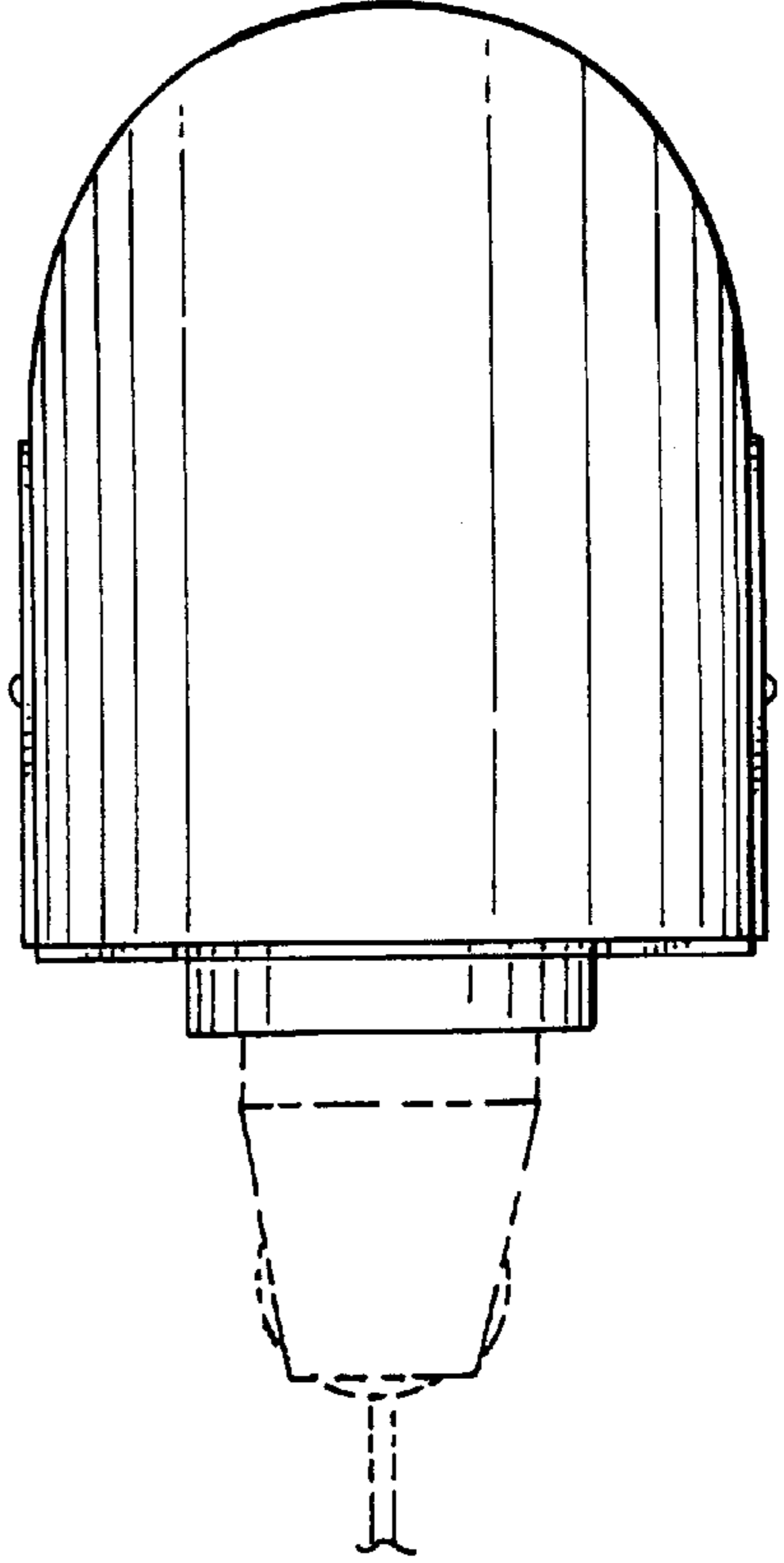


FIG. 4

