



US00D432707S

United States Patent [19]

Brunner et al.

[11] Patent Number: Des. 432,707

[45] Date of Patent: ** Oct. 24, 2000

[54] LIGHT FIXTURE

[75] Inventors: **Richard L. Brunner; James L. Nadeau**, both of Louisville, Ky.

[73] Assignee: **Genlyte Thomas Group LLC**, Louisville, Ky.

[**] Term: **14 Years**

[21] Appl. No.: **29/108,295**

[22] Filed: **Jul. 23, 1999**

[51] LOC (7) Cl. **26-05**

[52] U.S. Cl. **D26/118**

[58] Field of Search D26/128-137,
D26/125, 118; 362/326, 339, 340, 350,
341, 345, 346, 347, 348, 349

[56] **References Cited**

U.S. PATENT DOCUMENTS

D. 167,268 7/1952 Lordo D26/87

OTHER PUBLICATIONS

Thomas Lighting Catalog, 1998, p. 113, SL8215 and SL8210.

Thomas Lighting Catalog, 2000, p. 113, SL8215.

Aura lighting catalog, May 1989, p. 7, blunt nose cone reflector.

Progress lighting catalog, Jan. 1988, p. 72, pendant lamp P5108-15.

Progress lighting catalog, Jan. 1990, p. 71, RLM metal shade.

Primary Examiner—Susan J. Lucas

Attorney, Agent, or Firm—James R. Higgins; Jeffrey A. Haeberlin

[57] **CLAIM**

The ornamental design for a light fixture, as shown and described herein.

DESCRIPTION

FIG. 1 is a front elevational view of a light fixture according to a preferred embodiment of the present invention;

FIG. 2 is a right side elevational view of the light fixture of FIG. 1, the left side elevational view being a mirror image of FIG. 2;

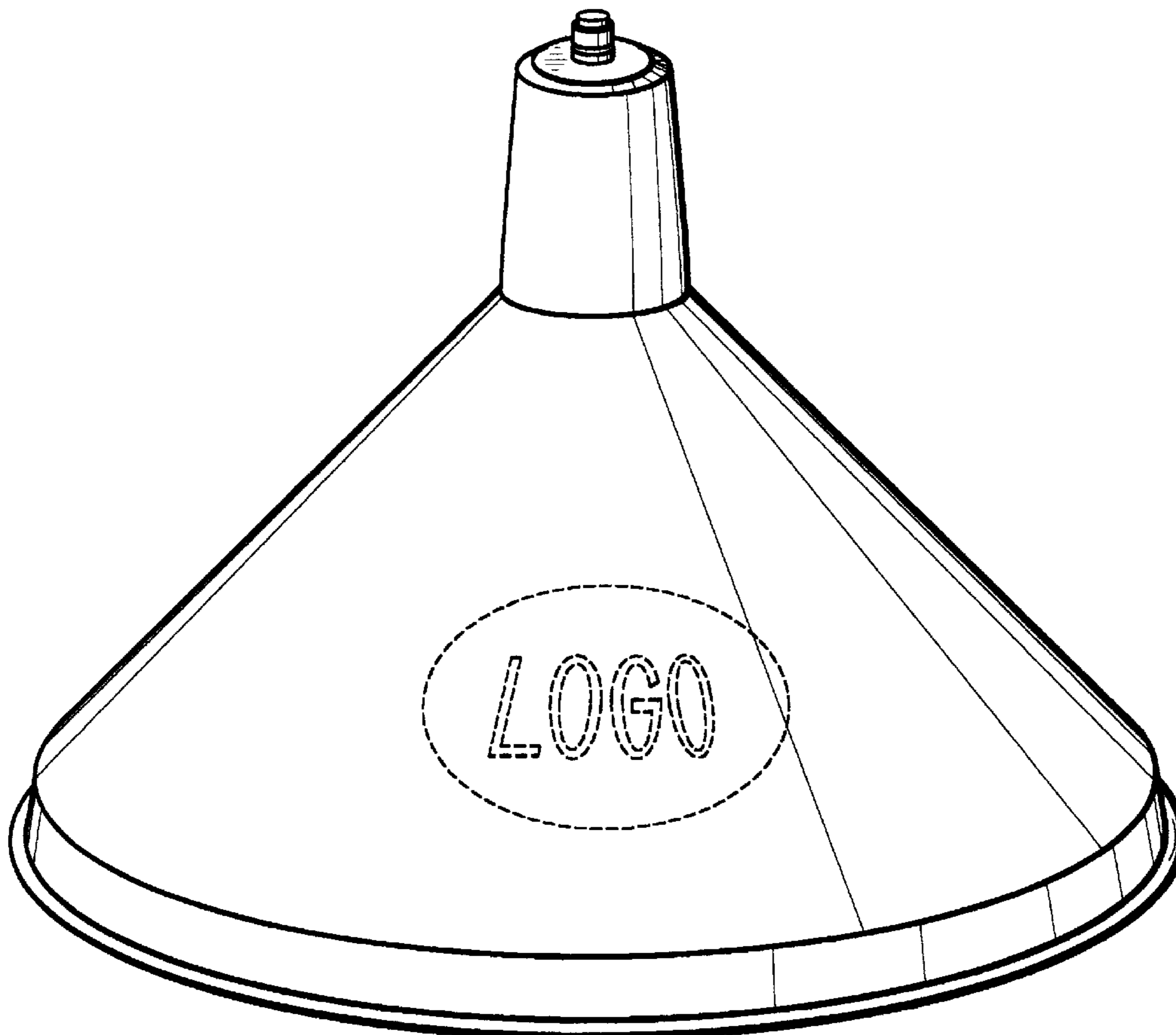
FIG. 3 is a bottom view of the light fixture of FIG. 1;

FIG. 4 is a top view of the light fixture of FIG. 1; and,

FIG. 5 is a front top perspective view of the light fixture of FIG. 1.

The broken lines shown in FIGS. 1-5 are for illustrative purposes only and form no part of the claimed design.

1 Claim, 4 Drawing Sheets



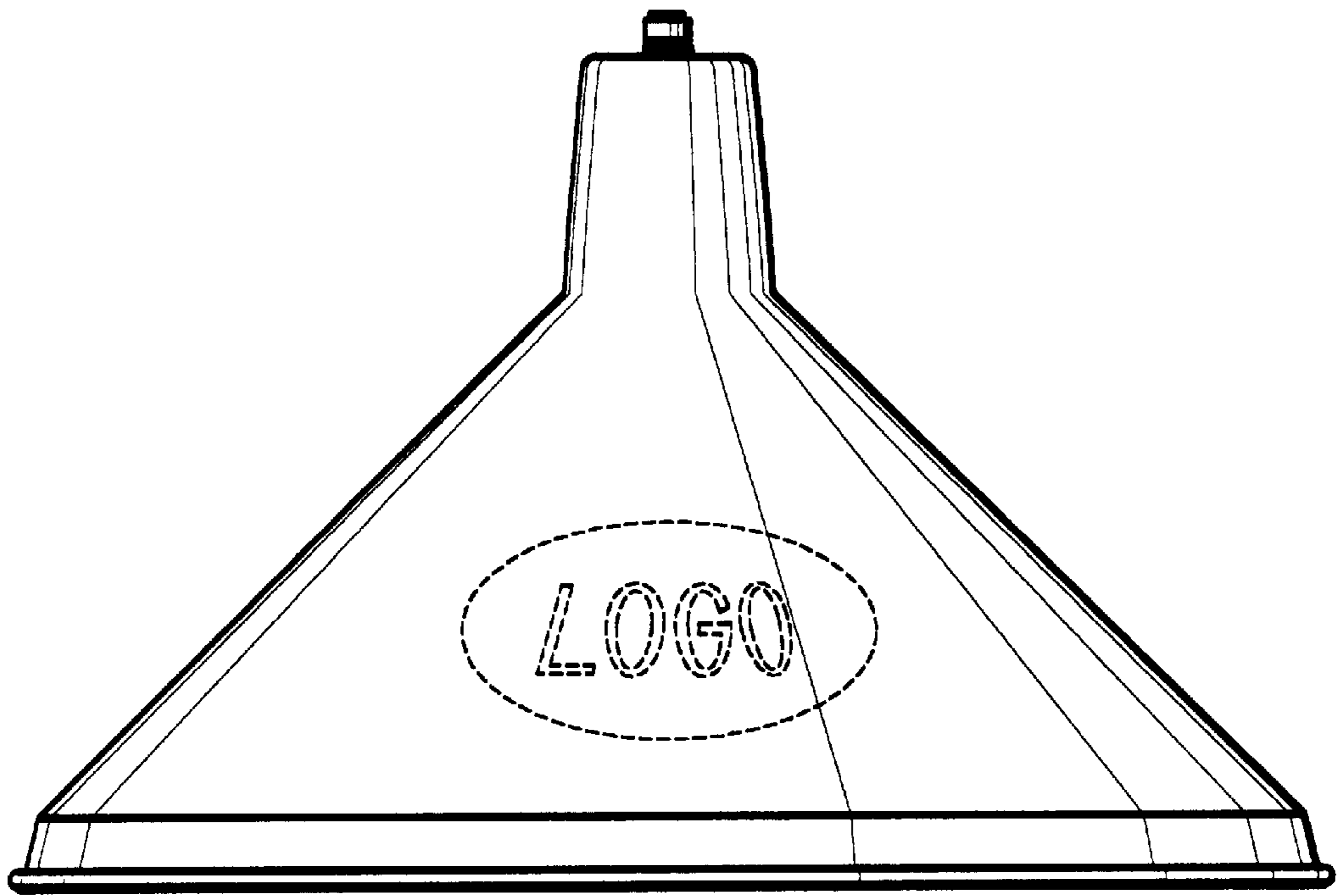


FIG. 1

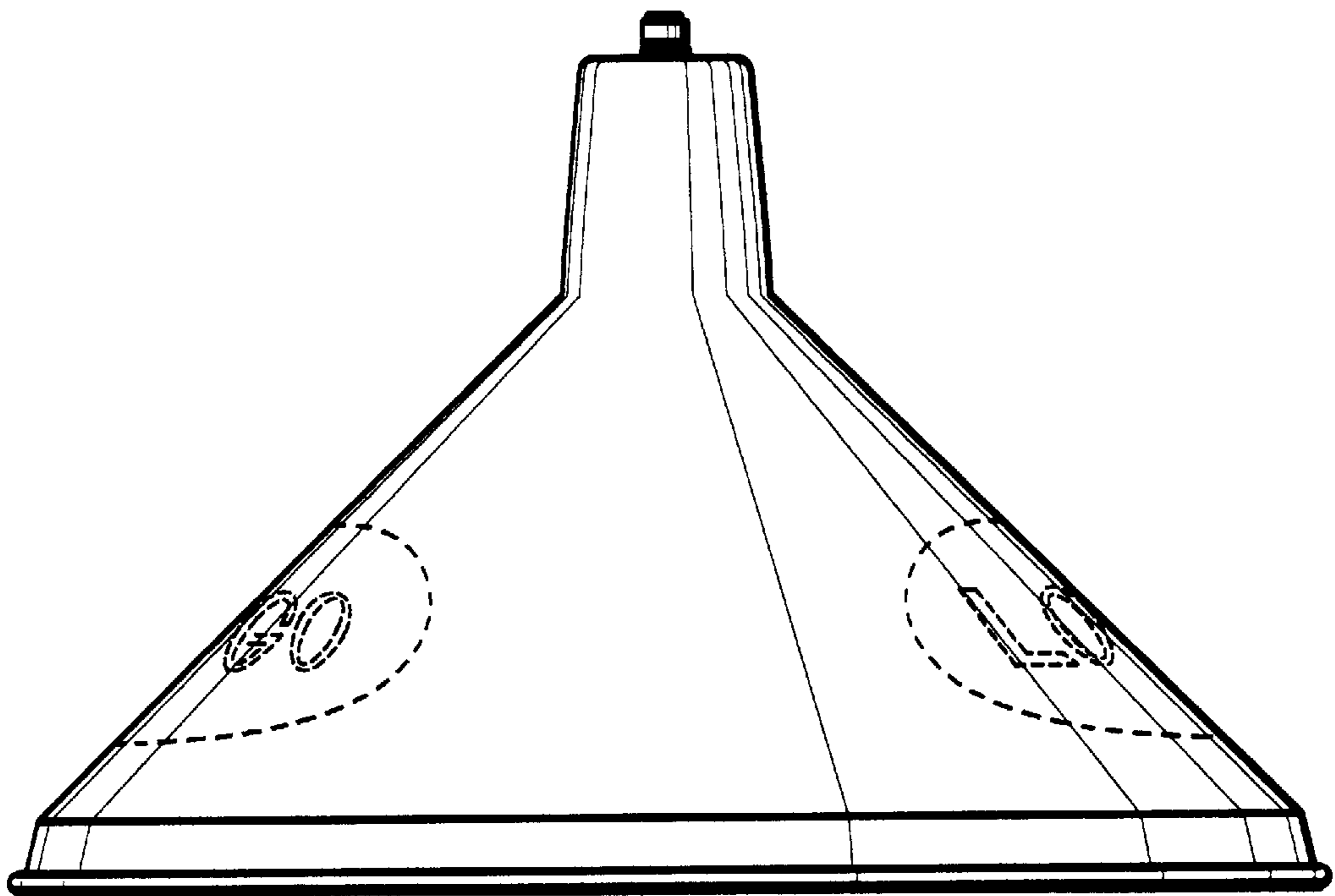


FIG. 2

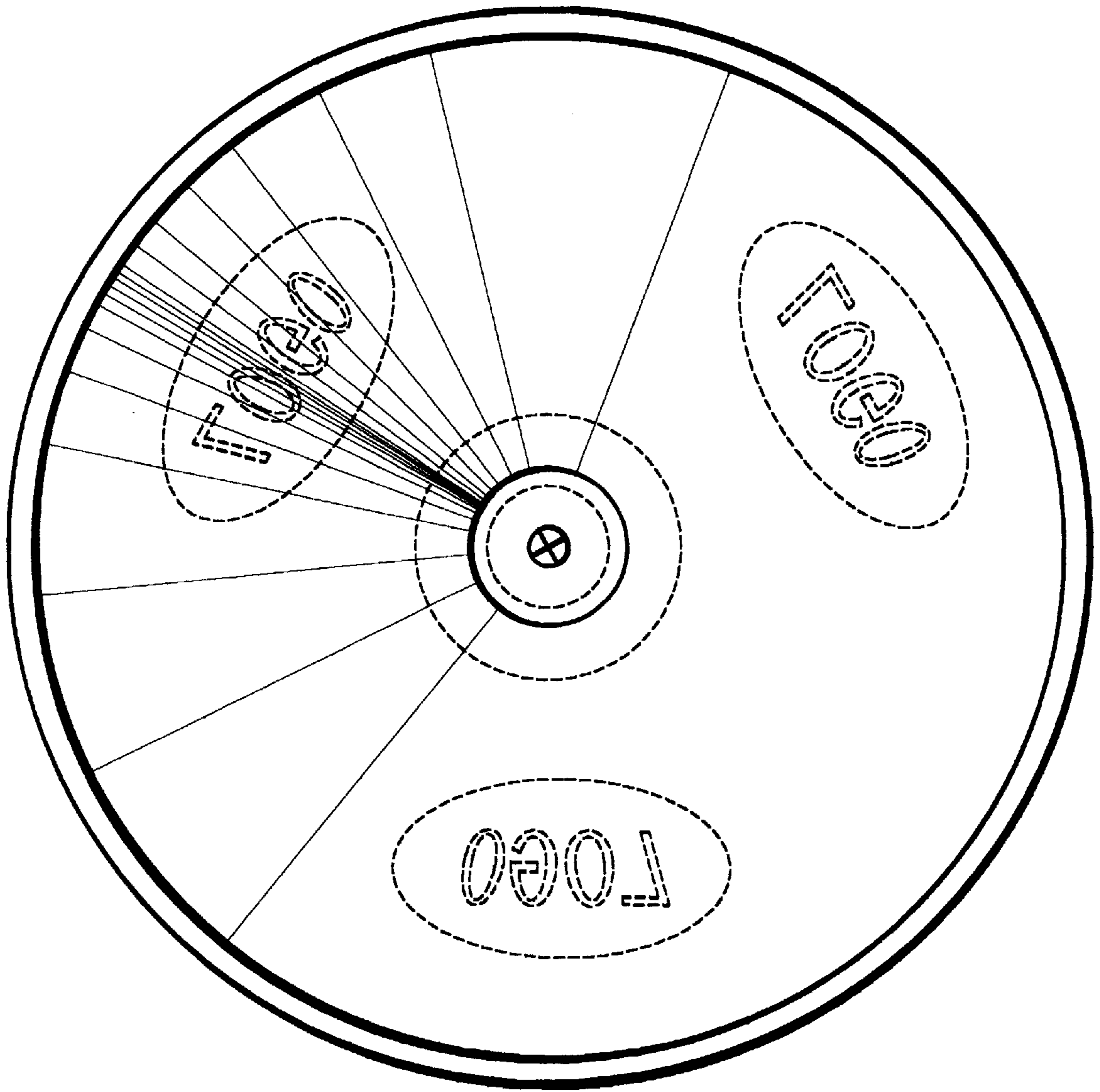


FIG. 3

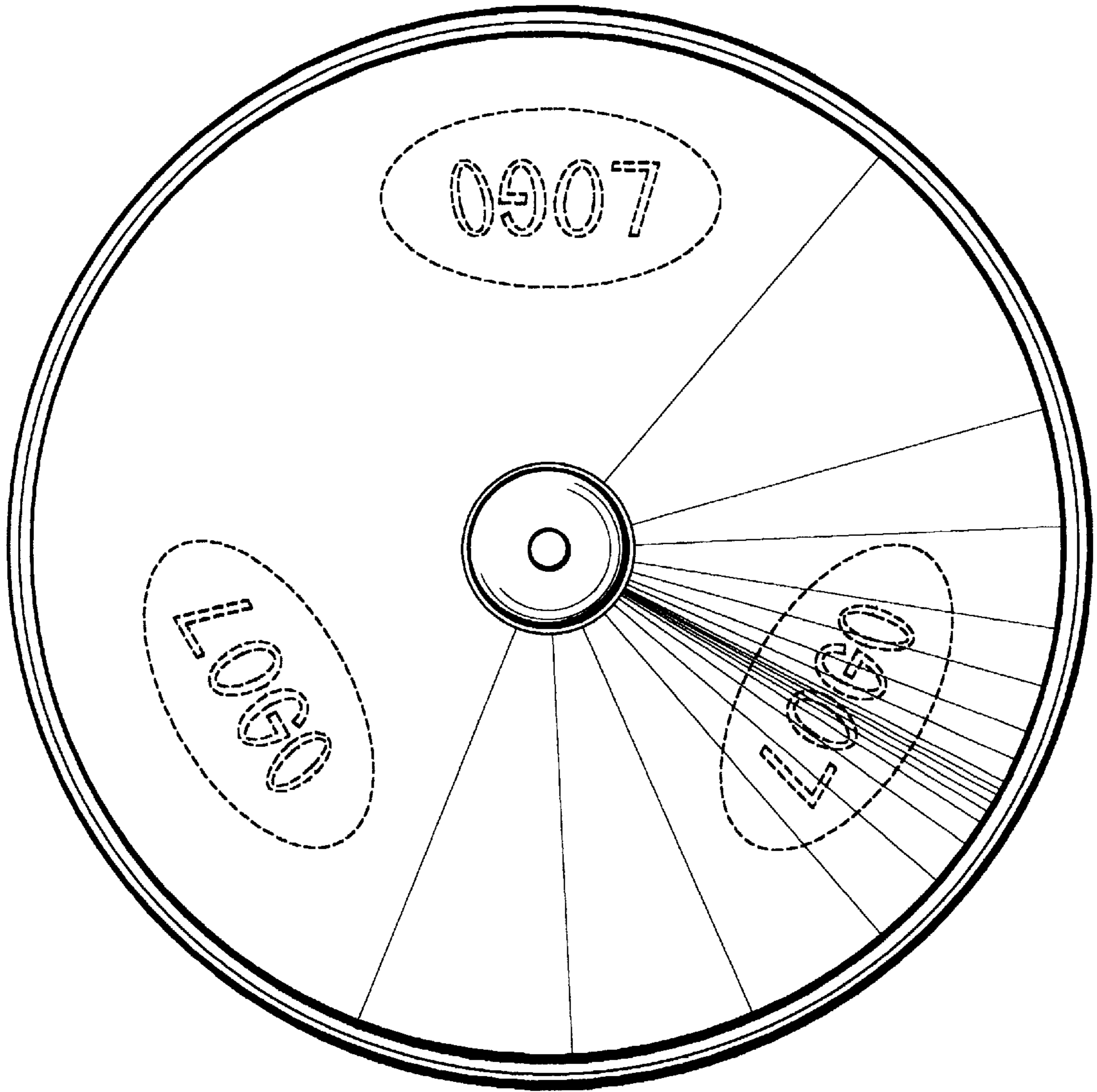


FIG. 4

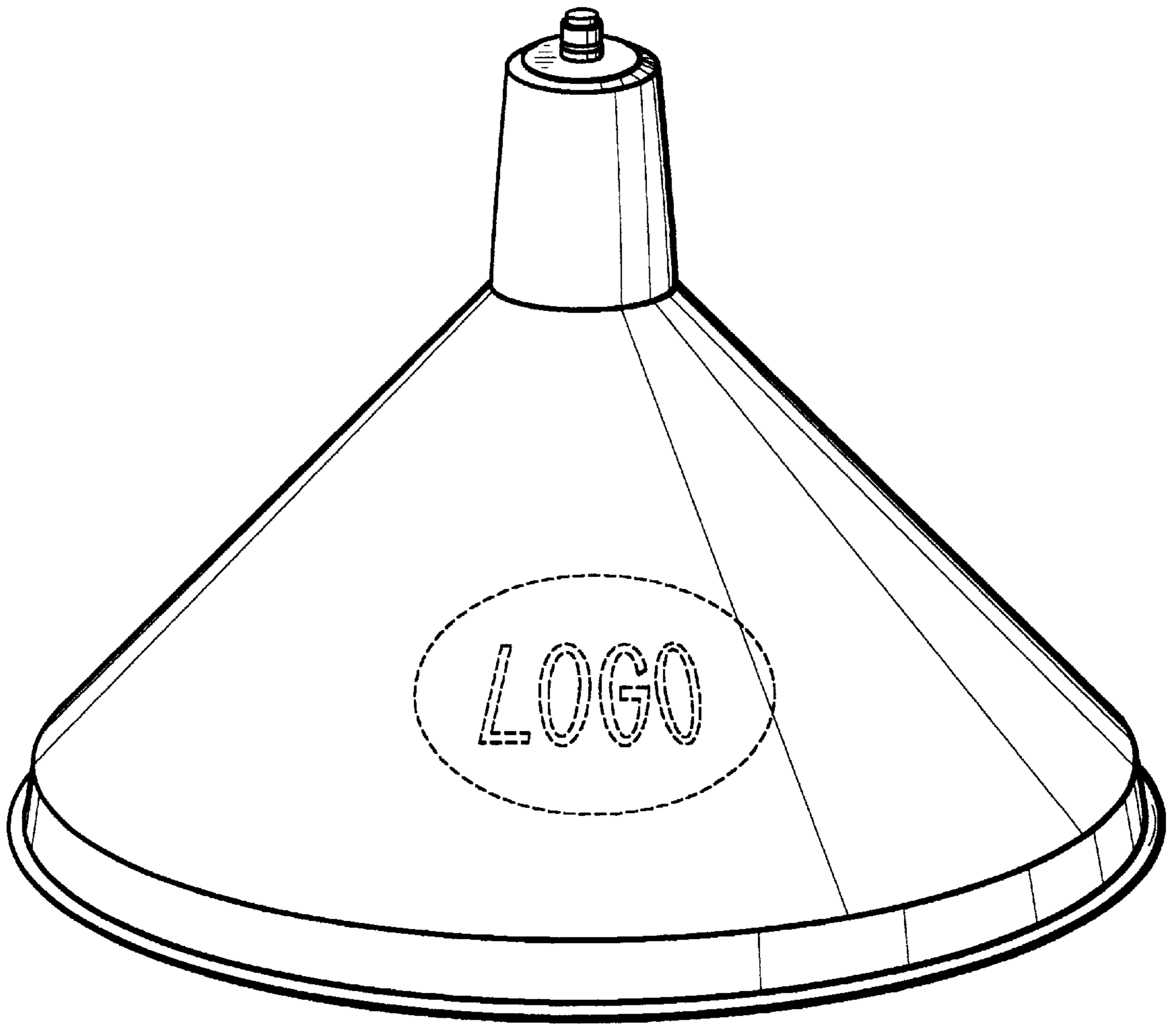


FIG. 5