



US00D432706S

United States Patent [19]
Bleisch

[11] **Patent Number: Des. 432,706**

[45] **Date of Patent: ** Oct. 24, 2000**

[54] **LAMP**

[75] Inventor: **Nelson J. Bleisch**, Bratenahl, Ohio

[73] Assignee: **The L.D. Kichler Co.**, Cleveland, Ohio

[**] Term: **14 Years**

[21] Appl. No.: **29/116,880**

[22] Filed: **Jan. 12, 2000**

[51] **LOC (7) Cl.** **26-03**

[52] **U.S. Cl.** **D26/110**

[58] **Field of Search** D26/51, 52, 58,
D26/93, 104-113, 142; 362/133, 134, 154,
228, 249, 310, 410-414, 801, 806

[56] **References Cited**

U.S. PATENT DOCUMENTS

D. 176,082 11/1955 Puzey et al. D26/106 X
D. 373,000 8/1996 Brady D26/106 X
D. 417,928 12/1999 Camacho D26/106

OTHER PUBLICATIONS

Interpretations catalog by Fredrick Raymond®, table lamps inspired by the designs of Frank Lloyd Wright, 1992. Home Lighting & Accessories, classic Arroyo Style table lamps, p. 45, Sep. 1997.

Primary Examiner—Alan P. Douglas

Assistant Examiner—Linda Brooks

Attorney, Agent, or Firm—Watts, Hoffmann, Fisher & Heinke, Co., L.P.A.

[57] **CLAIM**

I claim the ornamental design for a lamp, as shown and described.

DESCRIPTION

FIG. 1 is a perspective view of the lamp showing my new design;

FIG. 2 is a front elevational view of the lamp, the rear, right and left side elevational views being identical;

FIG. 3 is a top plan view of the lamp;

FIG. 4 is a bottom plan view of the lamp;

FIG. 5 is a perspective view of the second embodiment of the lamp;

FIG. 6 is a front elevational view of the lamp, the rear, right and left side elevational views being identical;

FIG. 7 is a top plan view of the lamp;

FIG. 8 is a bottom plan view of the lamp;

FIG. 9 is a perspective view of the third embodiment of the lamp;

FIG. 10 is a front elevational view of the lamp, the rear, right and left side elevational views being identical;

FIG. 11 is a top plan view of the lamp;

FIG. 12 is a bottom plan view of the lamp;

FIG. 13 is a perspective view of the fourth embodiment of the lamp;

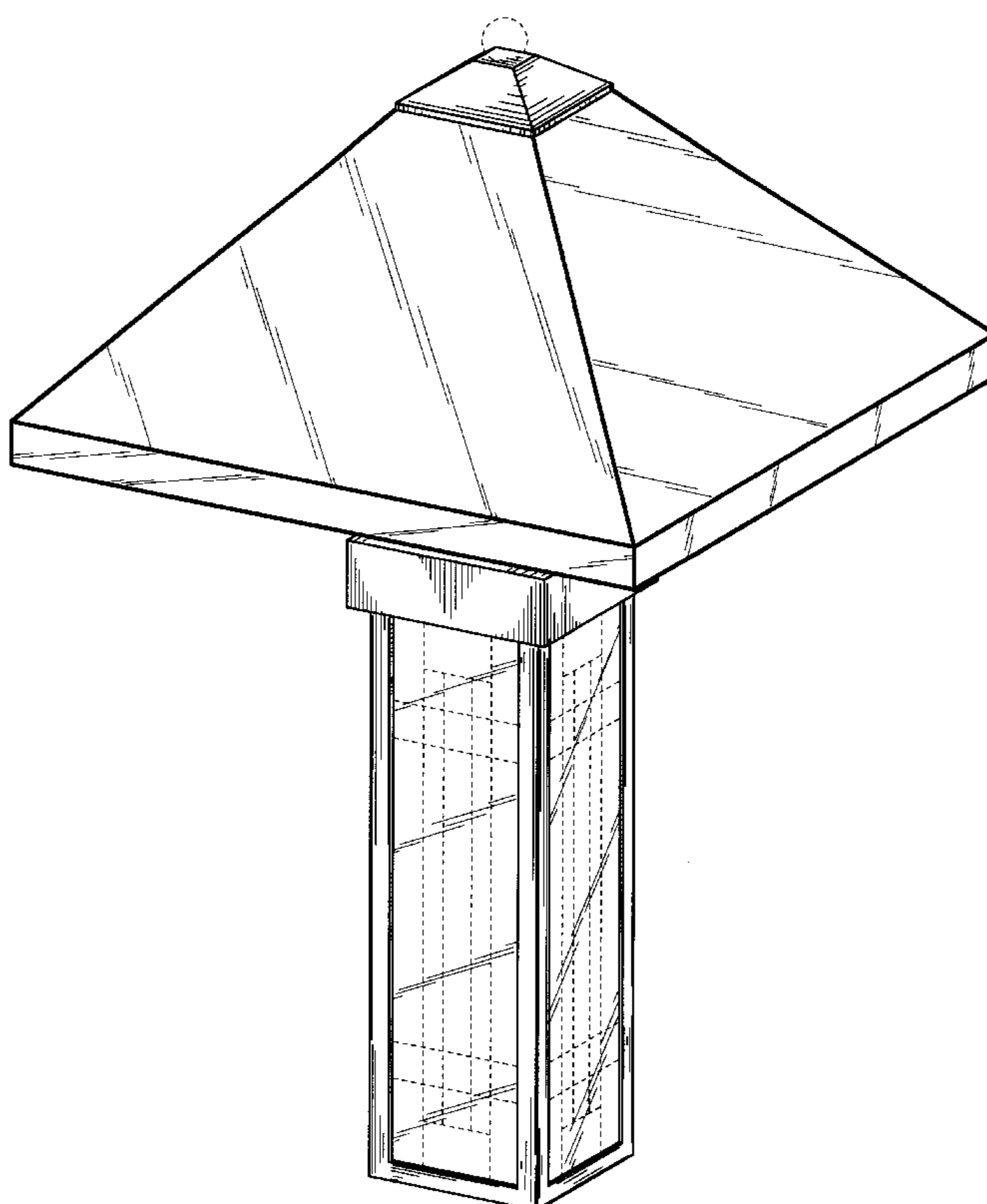
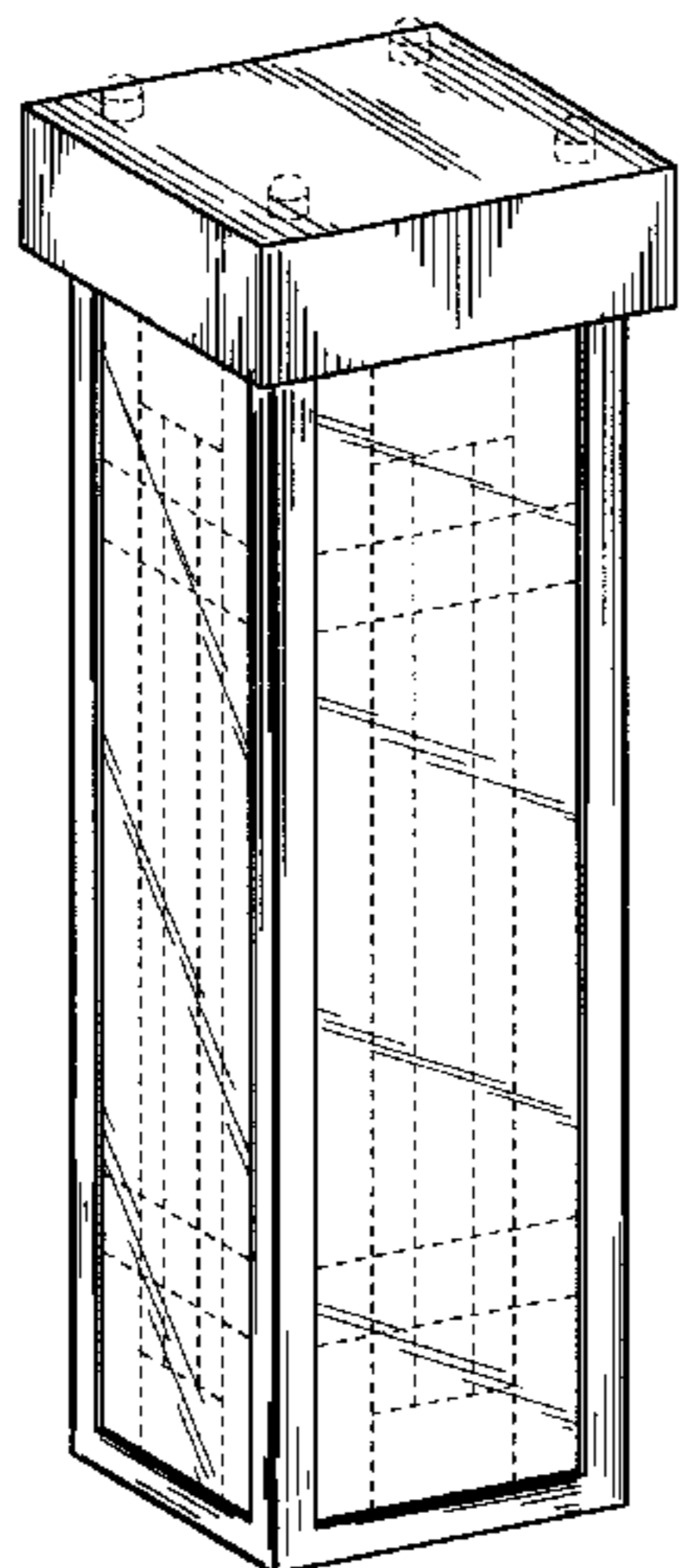
FIG. 14 is a front elevational view of the lamp, the rear right and left side elevational views being identical;

FIG. 15 is a top plan view of the lamp; and,

FIG. 16 is a bottom plan view of the lamp.

The broken lines shown are for illustrative purposes only and form no part of the claimed design.

1 Claim, 8 Drawing Sheets



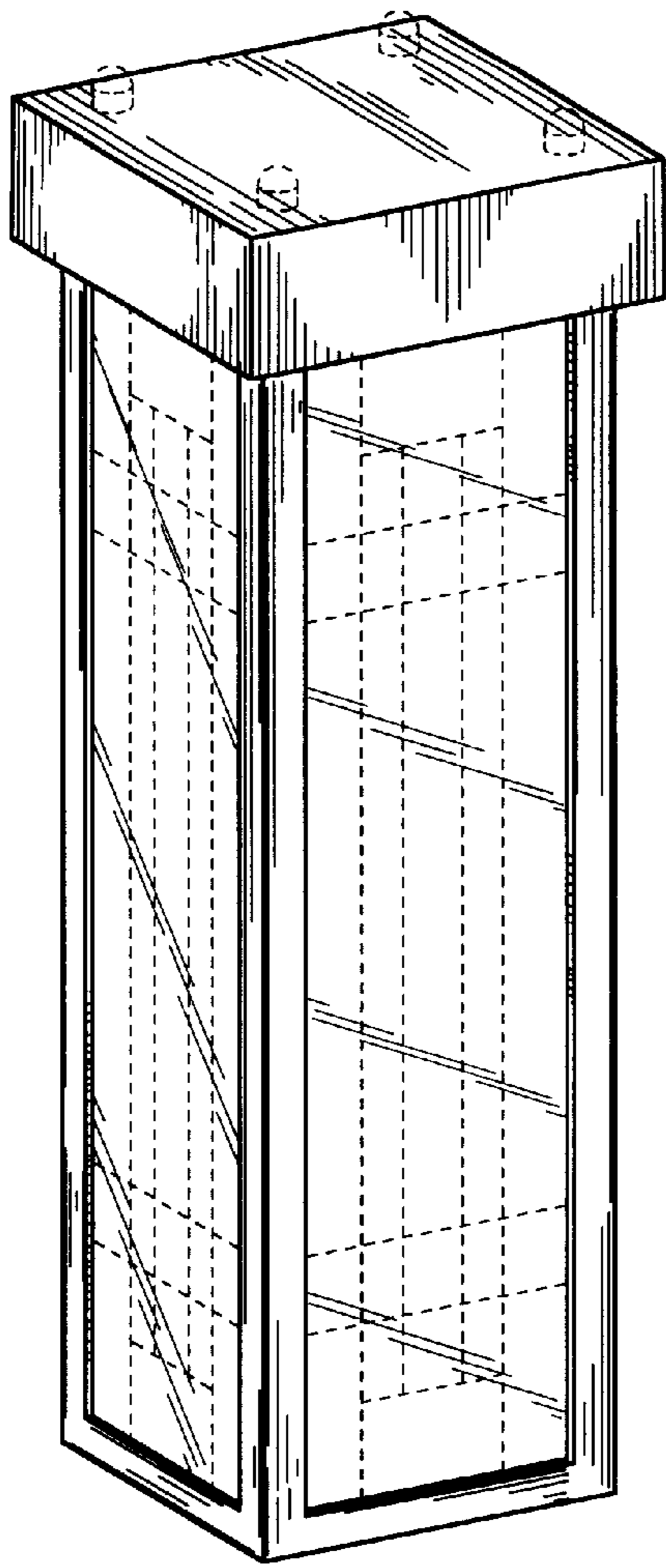


Fig.1

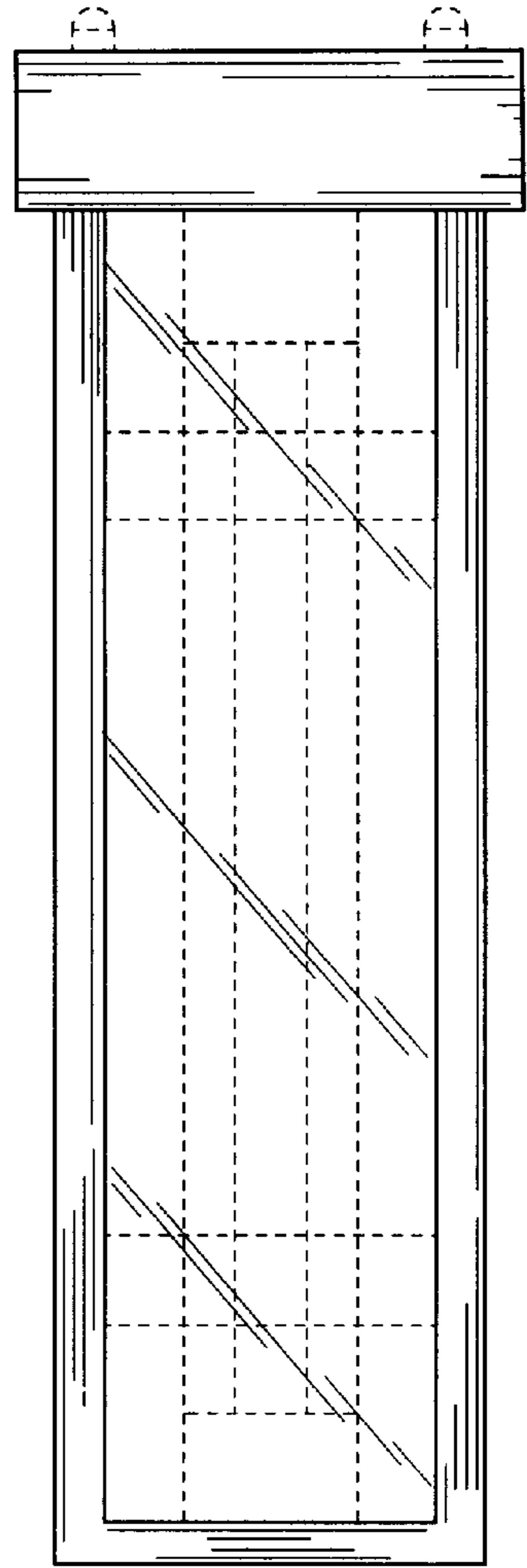


Fig.2

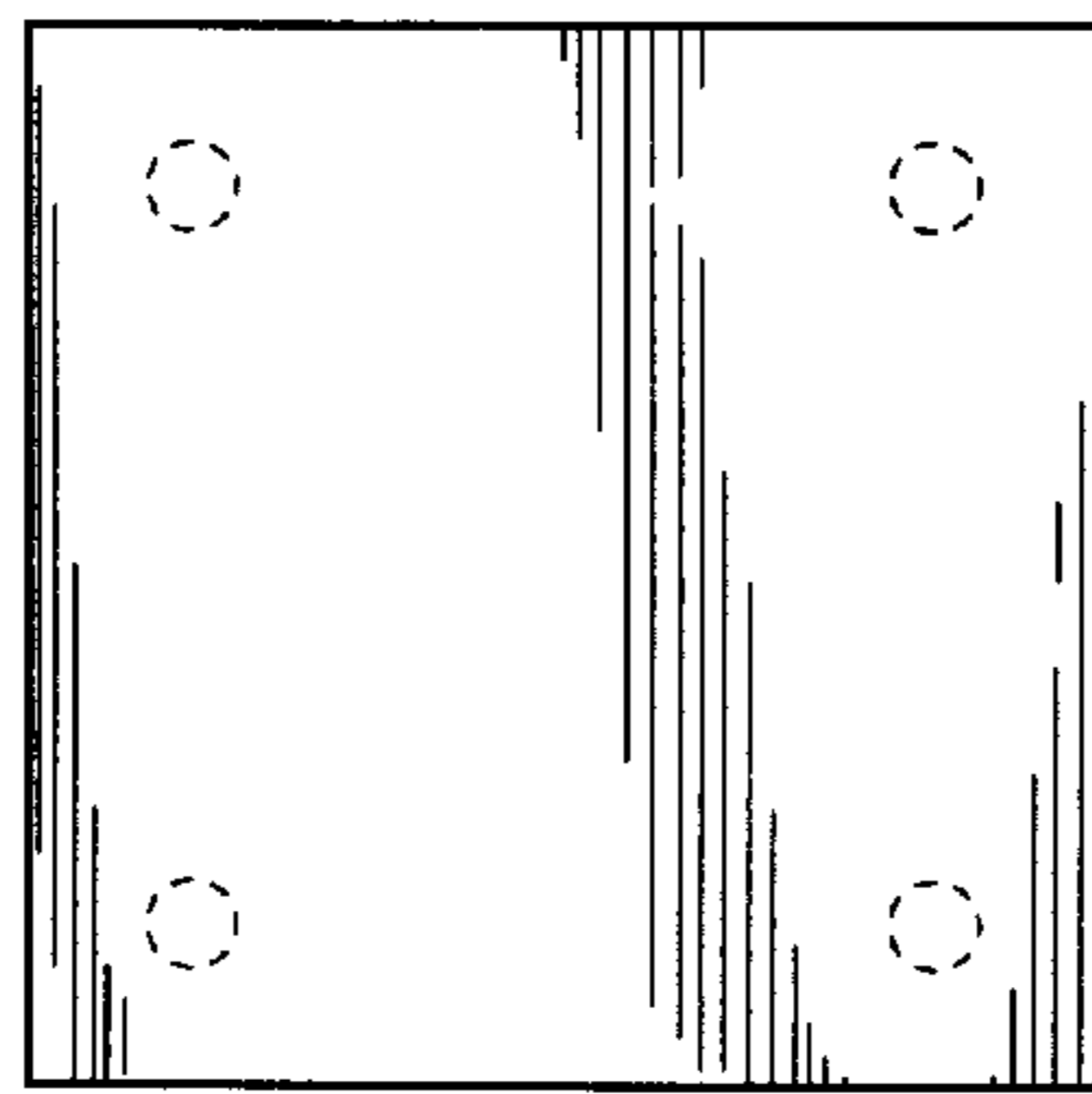


Fig.3

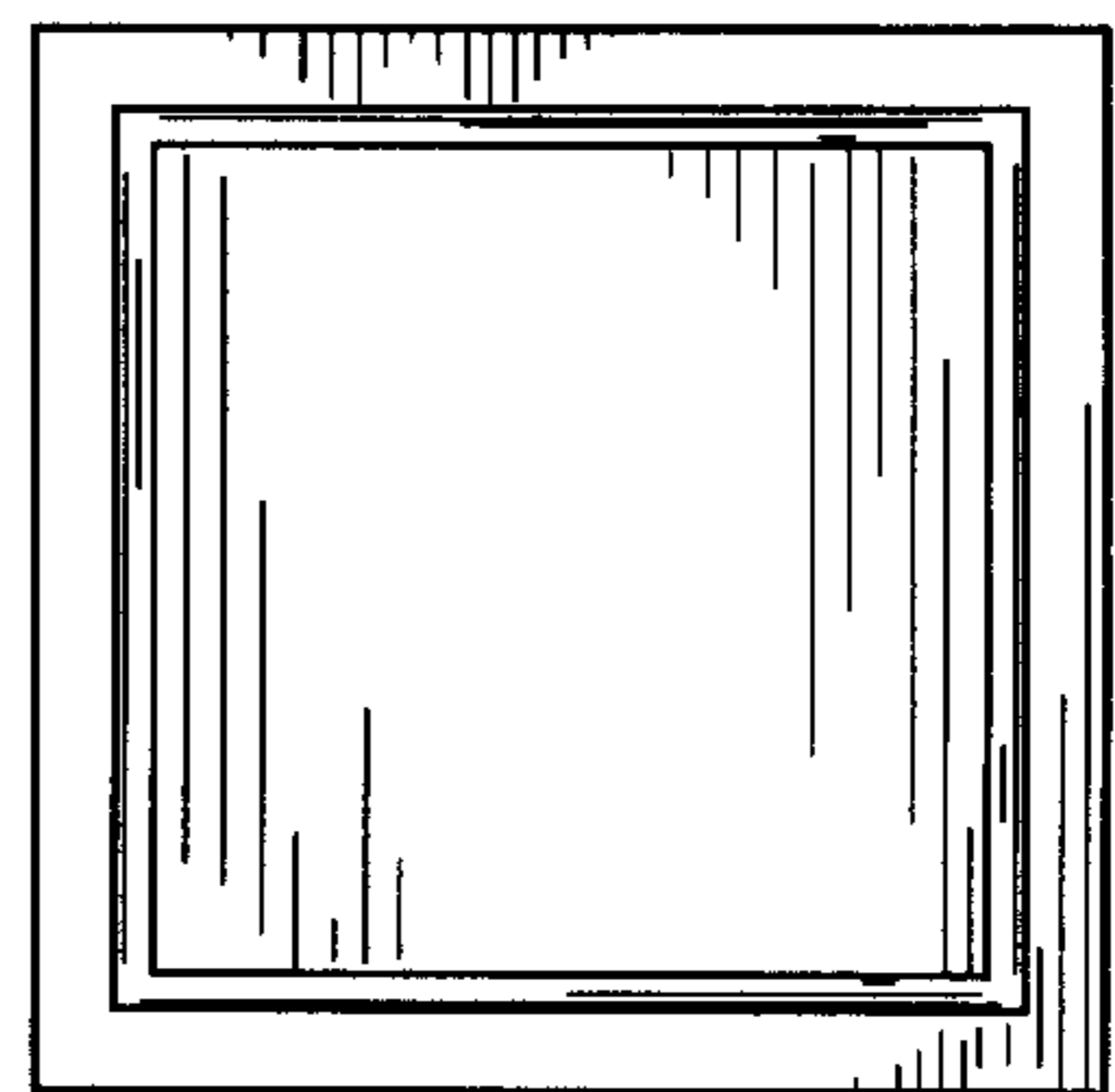


Fig.4

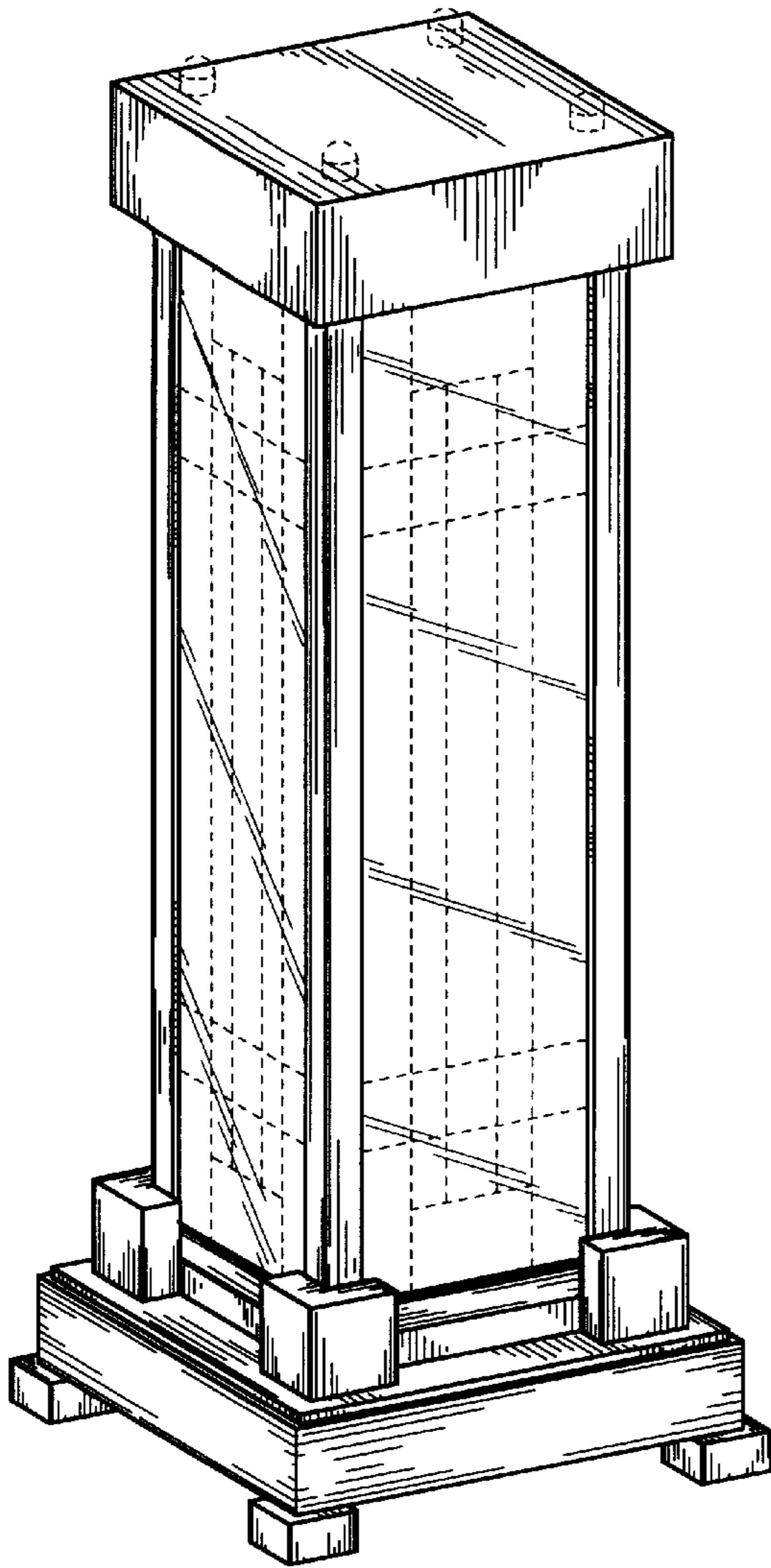


Fig.5

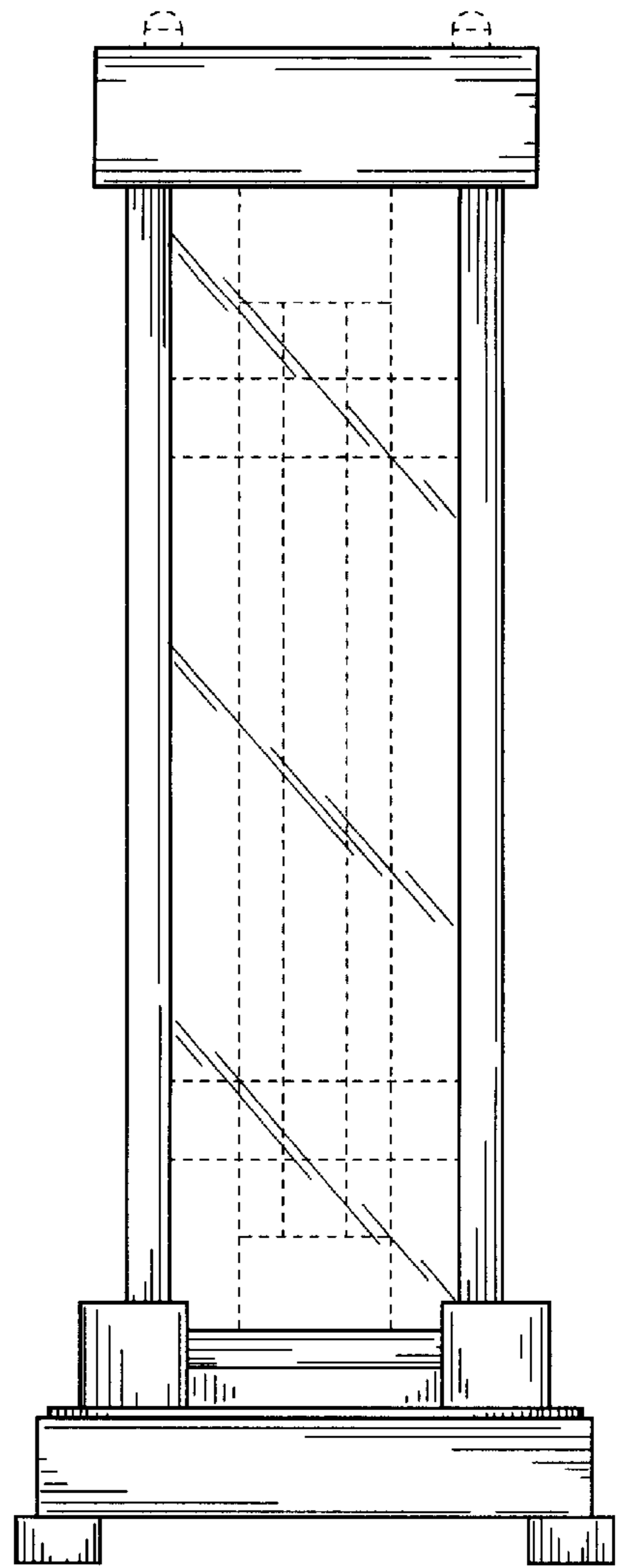


Fig.6

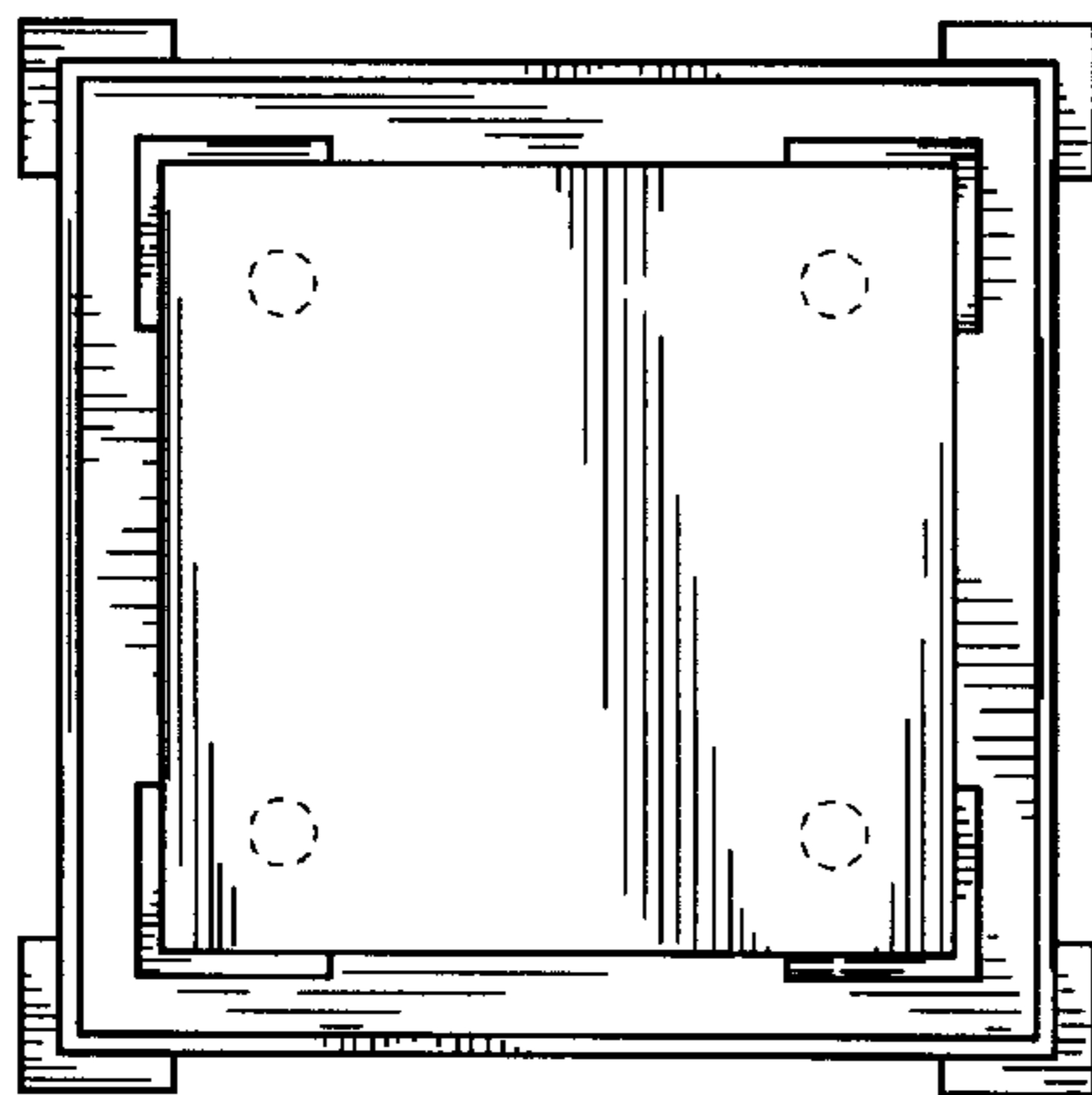


Fig.7

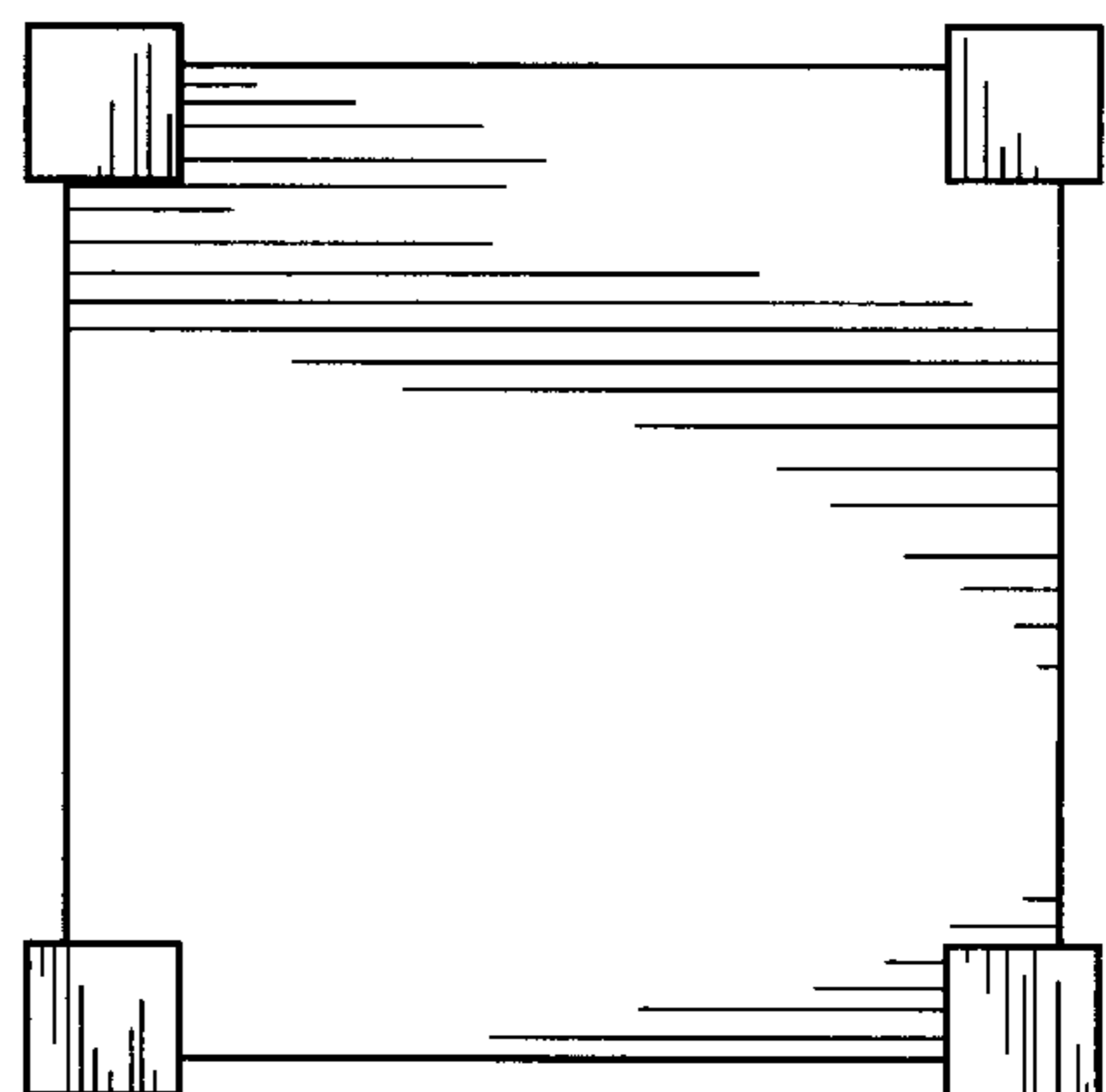


Fig.8

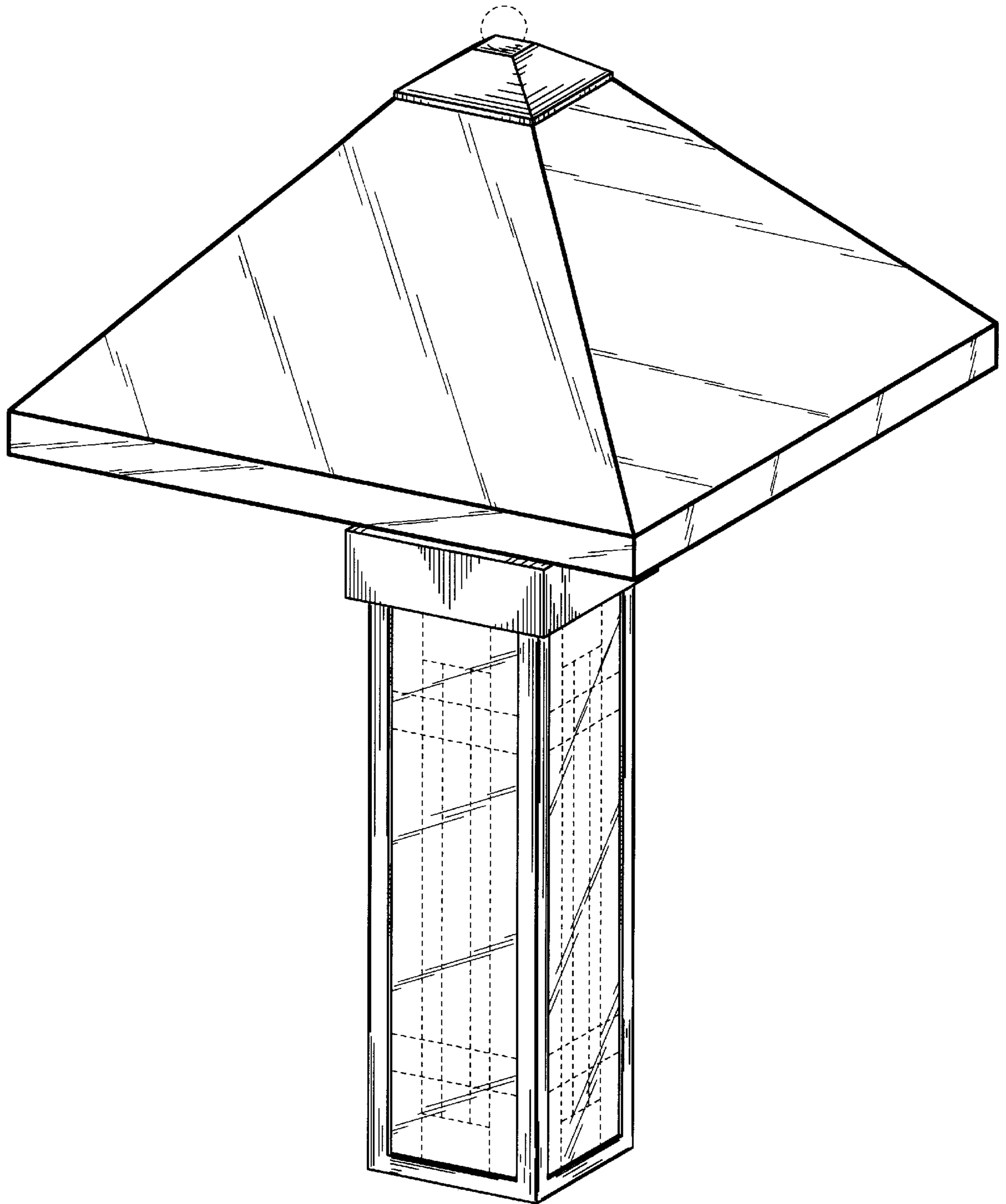


Fig.9

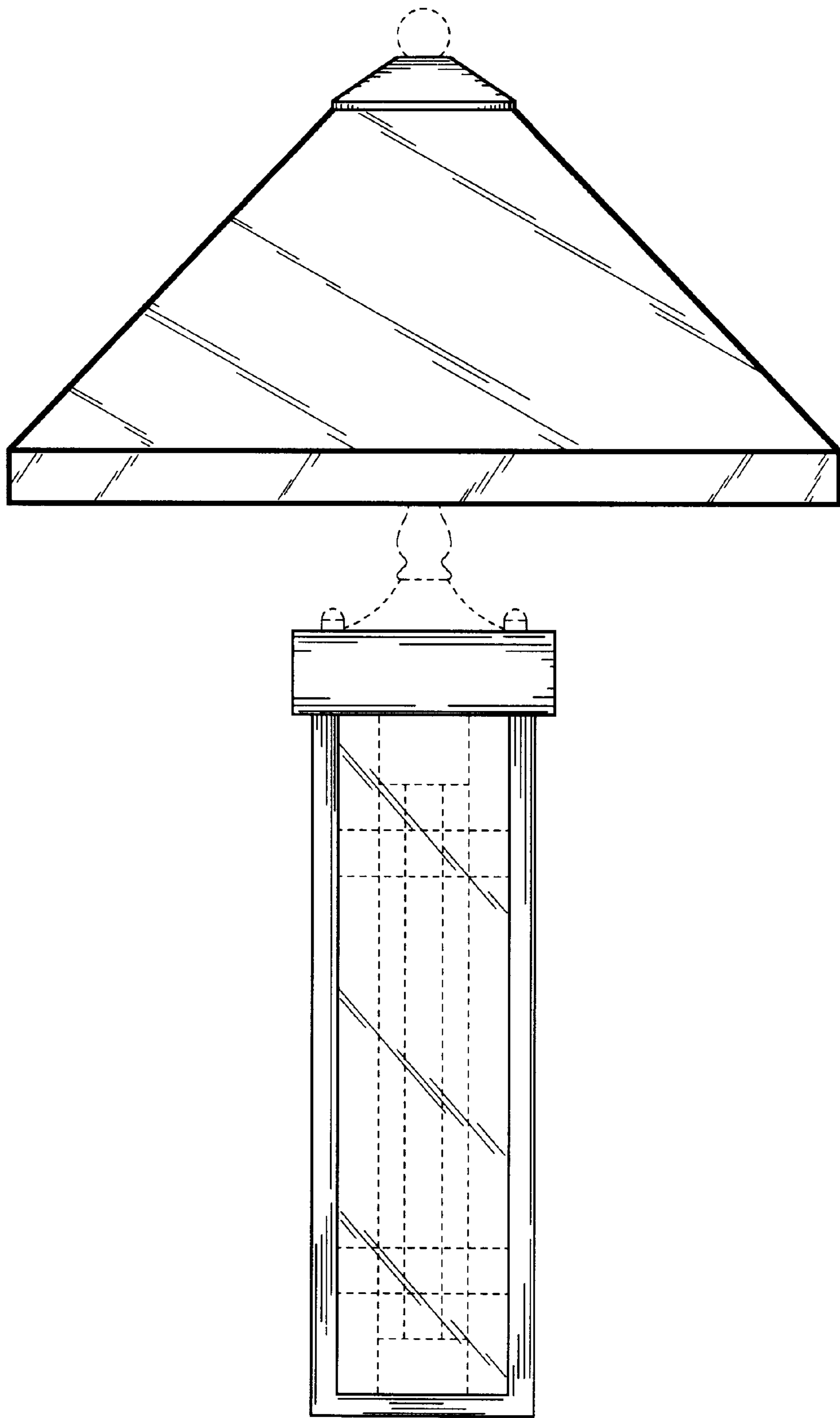


Fig.10

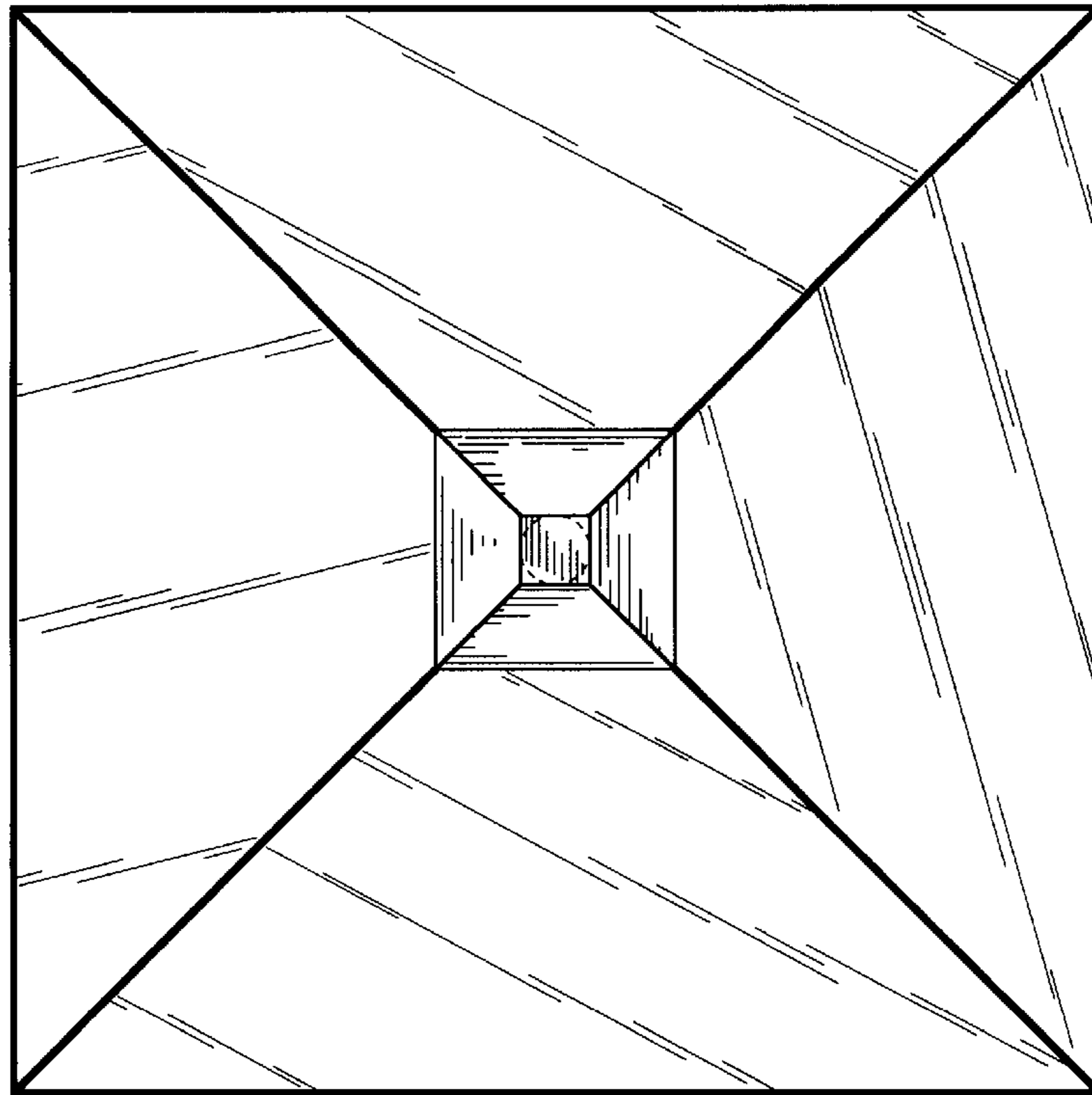


Fig.11

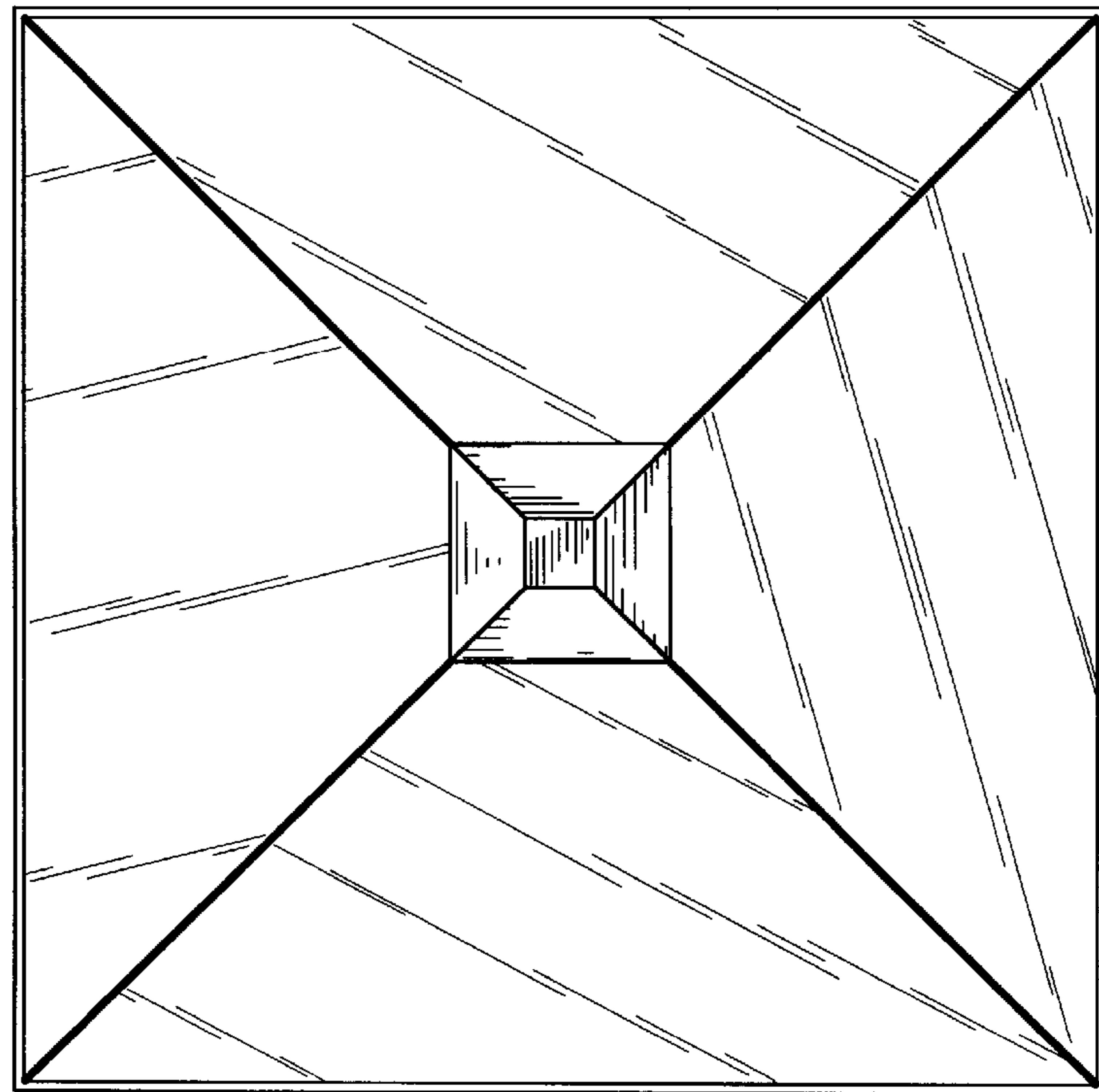


Fig.12

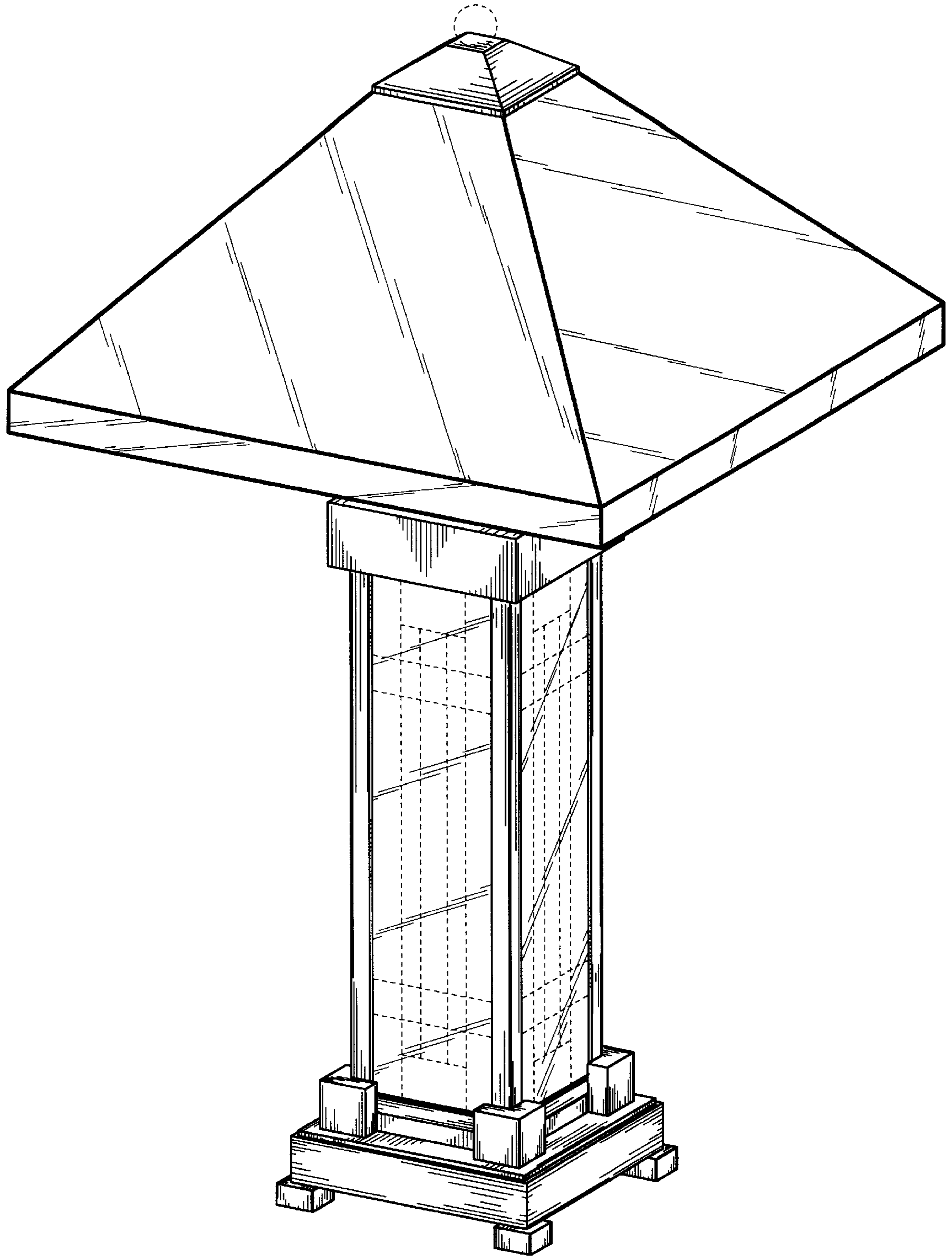


Fig.13

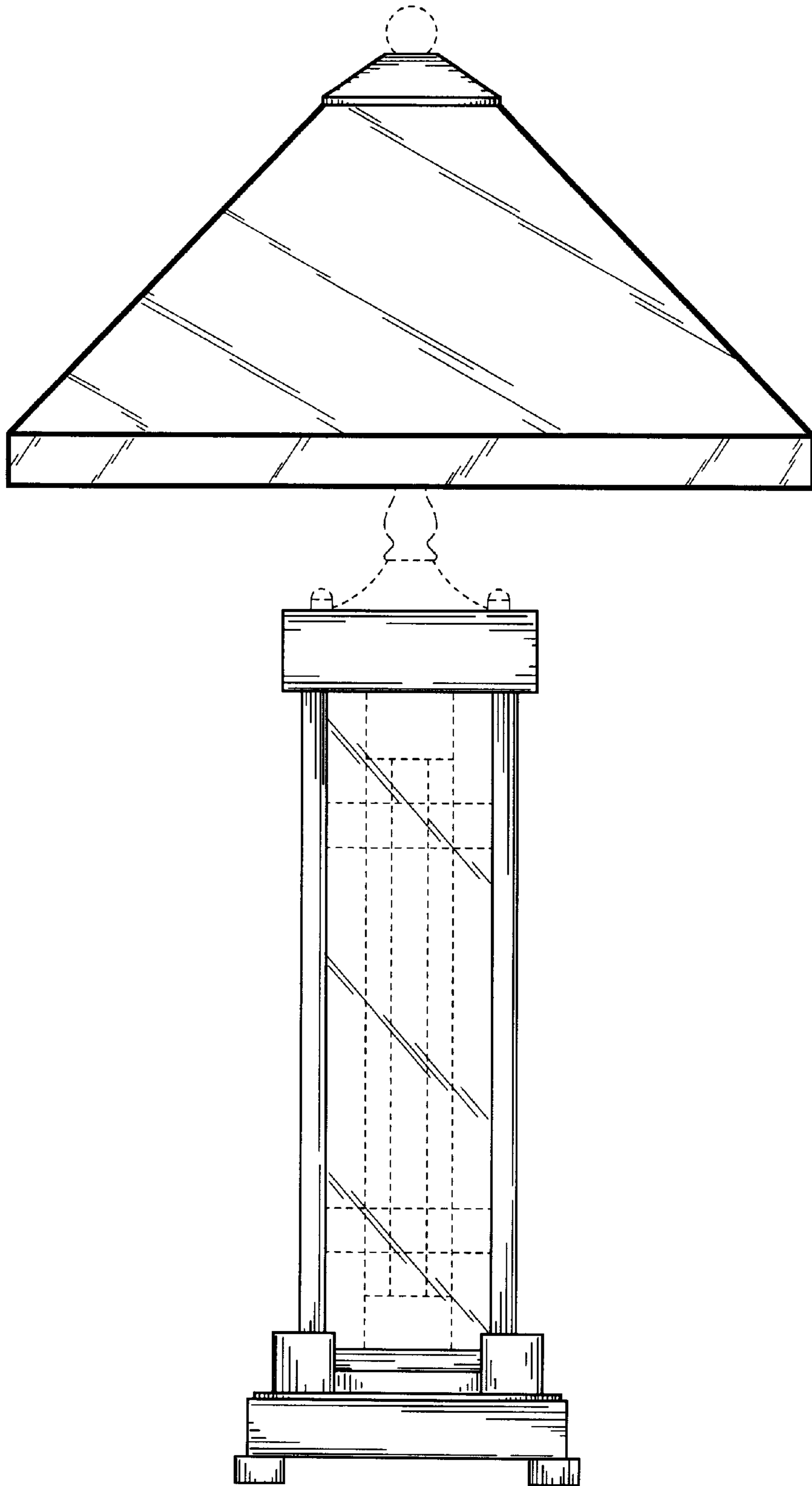


Fig.14

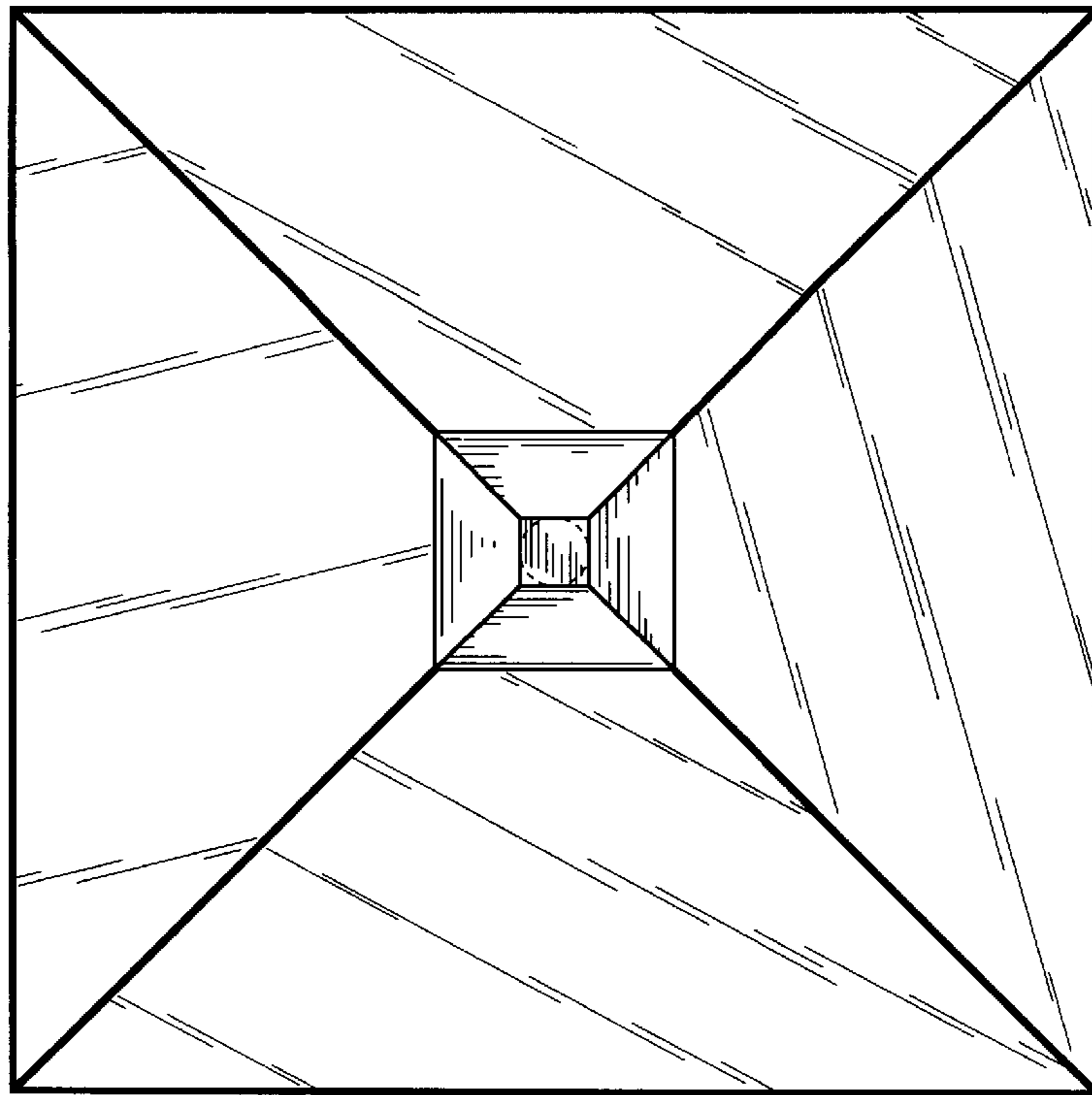


Fig.15

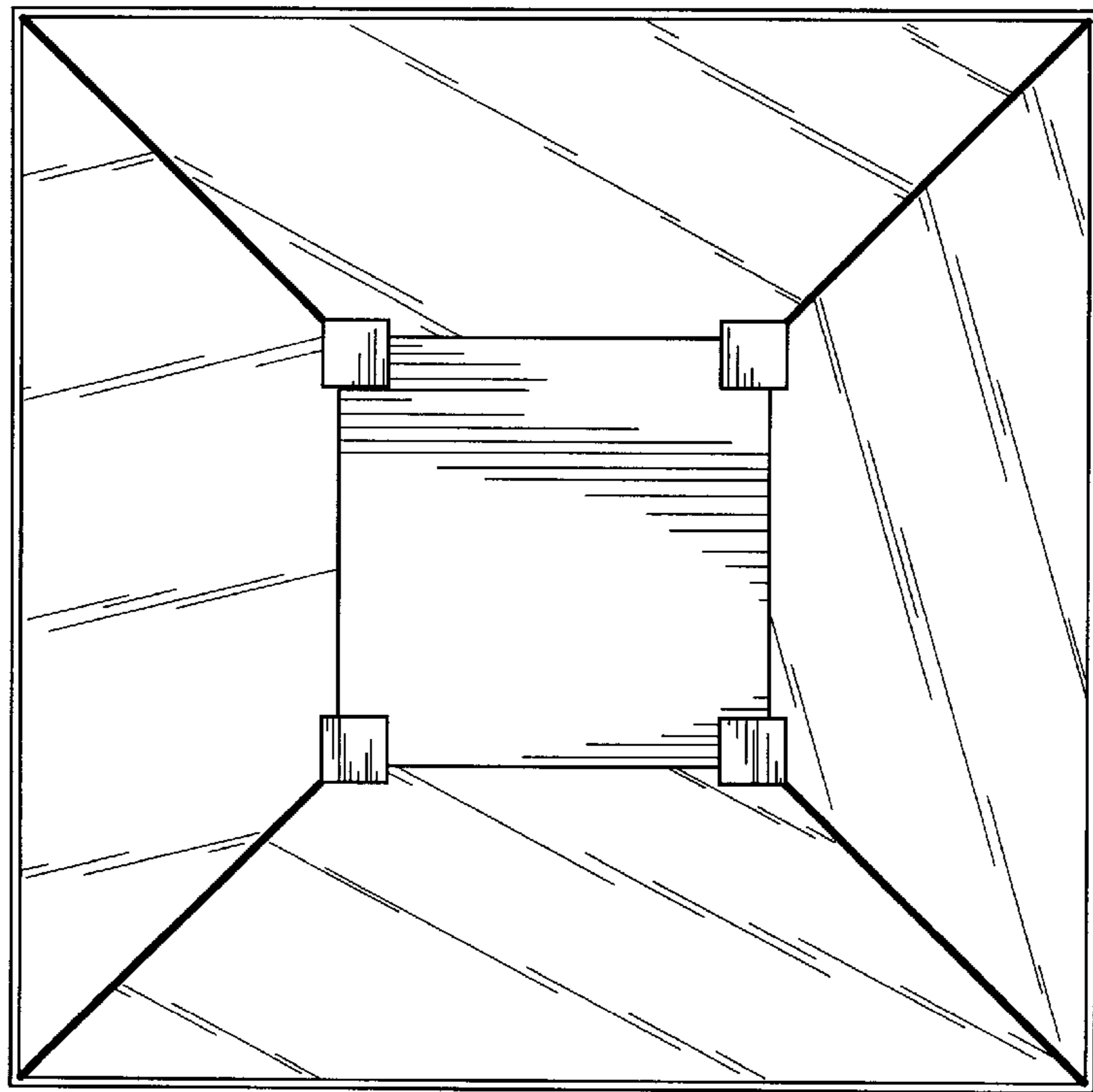


Fig.16