



US00D432703S

United States Patent [19]
Dolan

[11] **Patent Number: Des. 432,703**

[45] **Date of Patent: ** Oct. 24, 2000**

[54] **LAMP STAND**

Attorney, Agent, or Firm—Charles C. Logan, II

[76] Inventor: **Mike Dolan**, 9785 Button St., Santee, Calif. 92071

[57] **CLAIM**

[**] Term: **14 Years**

The ornamental design for a lamp stand, as shown and described.

[21] Appl. No.: **29/115,951**

DESCRIPTION

[22] Filed: **Dec. 27, 1999**

[51] **LOC (7) Cl.** **26-03**

[52] **U.S. Cl.** **D26/106**

[58] **Field of Search** D26/93, 94, 102-112;
362/410-414

FIG. 1 is a front perspective view of the novel lamp stand, with a lamp shade shown in broken lines for purposes of illustration only and forming no part of the claimed design;

FIG. 2 is a top plan view thereof;

FIG. 3 is a front elevation view thereof;

FIG. 4 is a rear elevation view thereof;

FIG. 5 is a right side elevation view thereof and the left side elevation view is identical but reversed; and,

FIG. 6 is a bottom plan view thereof.

[56] **References Cited**

U.S. PATENT DOCUMENTS

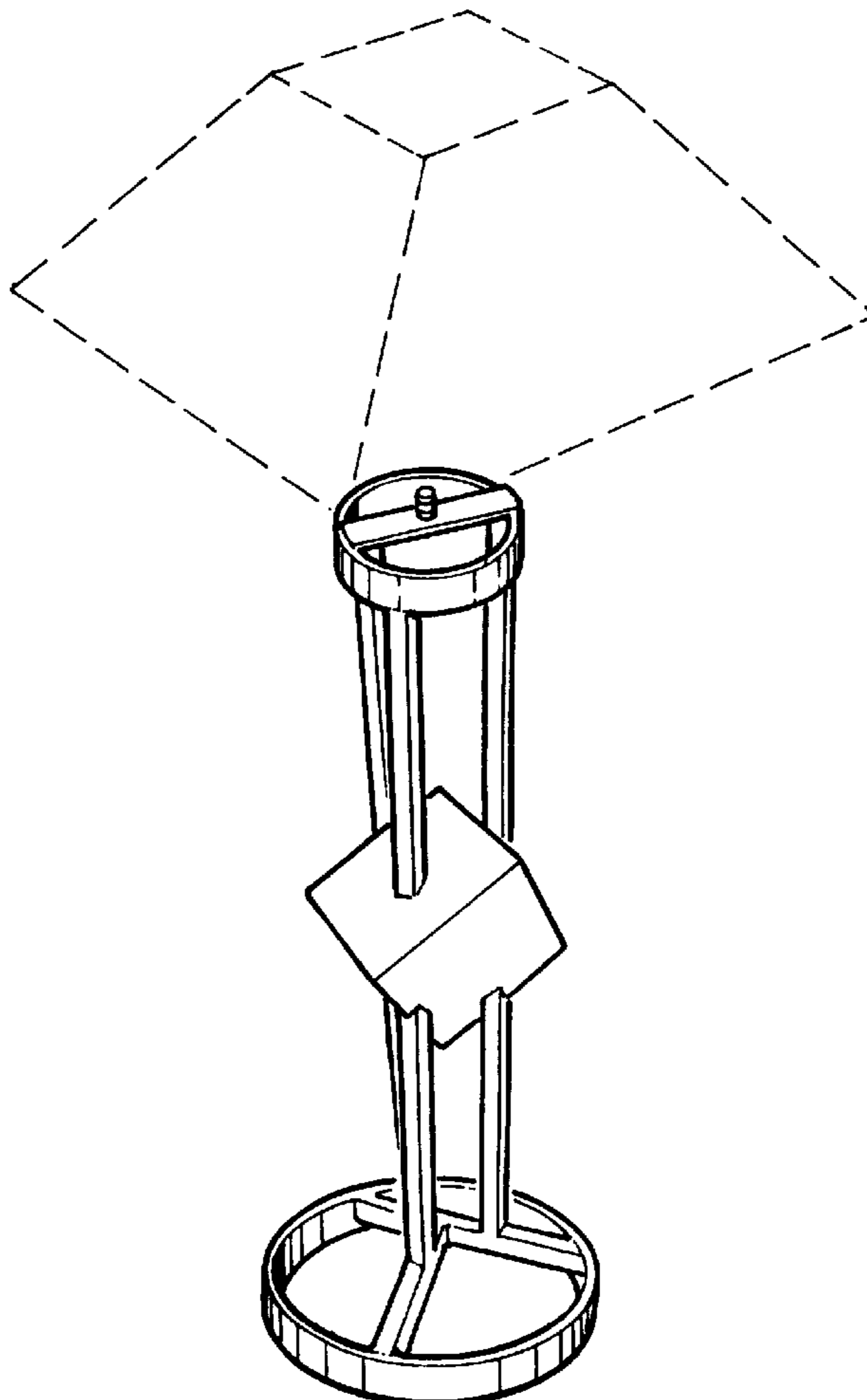
- D. 80,934 4/1930 Bachman D26/94
- D. 385,649 10/1997 Yeh D26/112

OTHER PUBLICATIONS

Home Lighting & Accessories, lamp at bottom left of p. 30, Apr. 1998.

Primary Examiner—Freda Nunn
Assistant Examiner—Linda Brooks

1 Claim, 1 Drawing Sheet



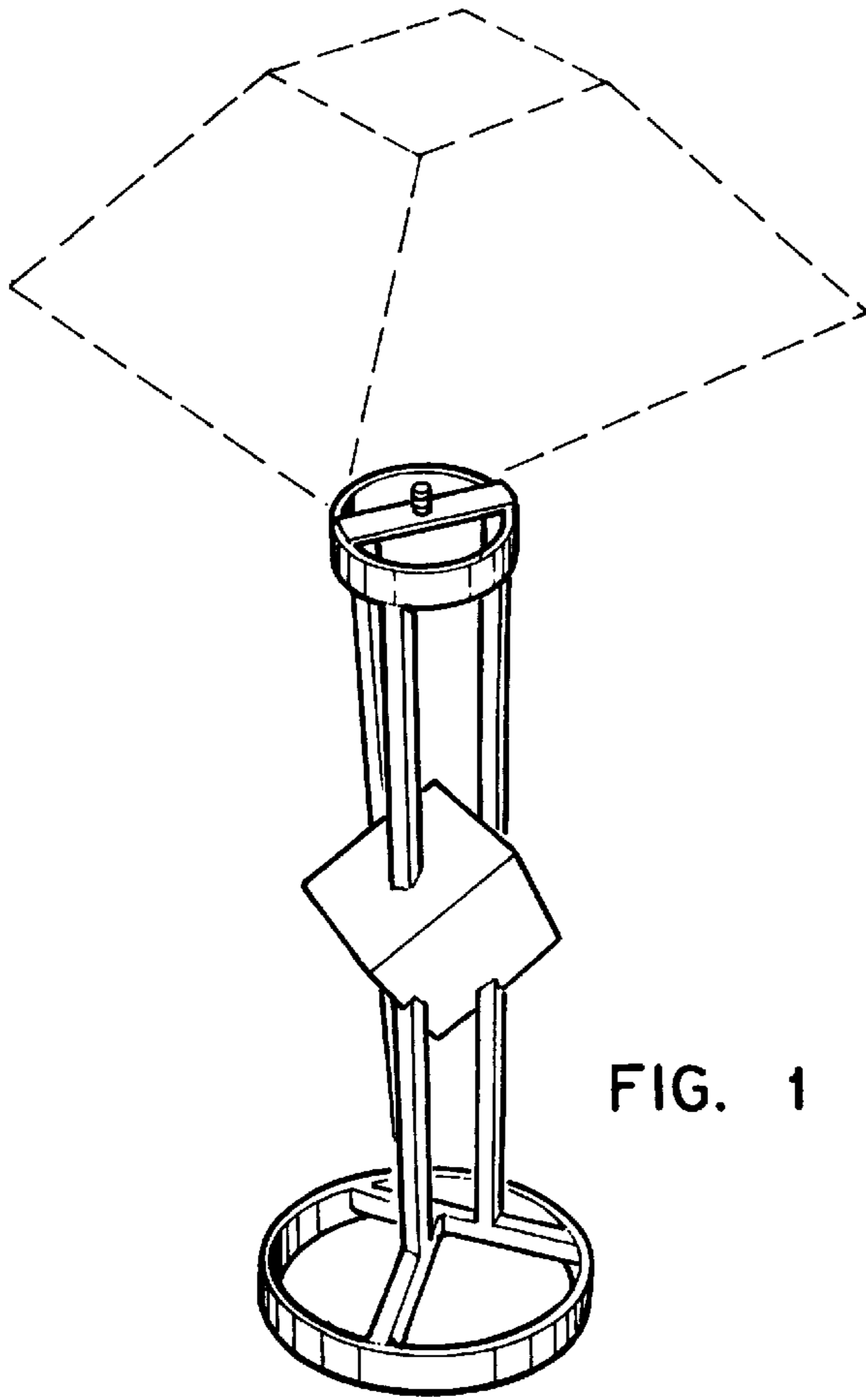


FIG. 1

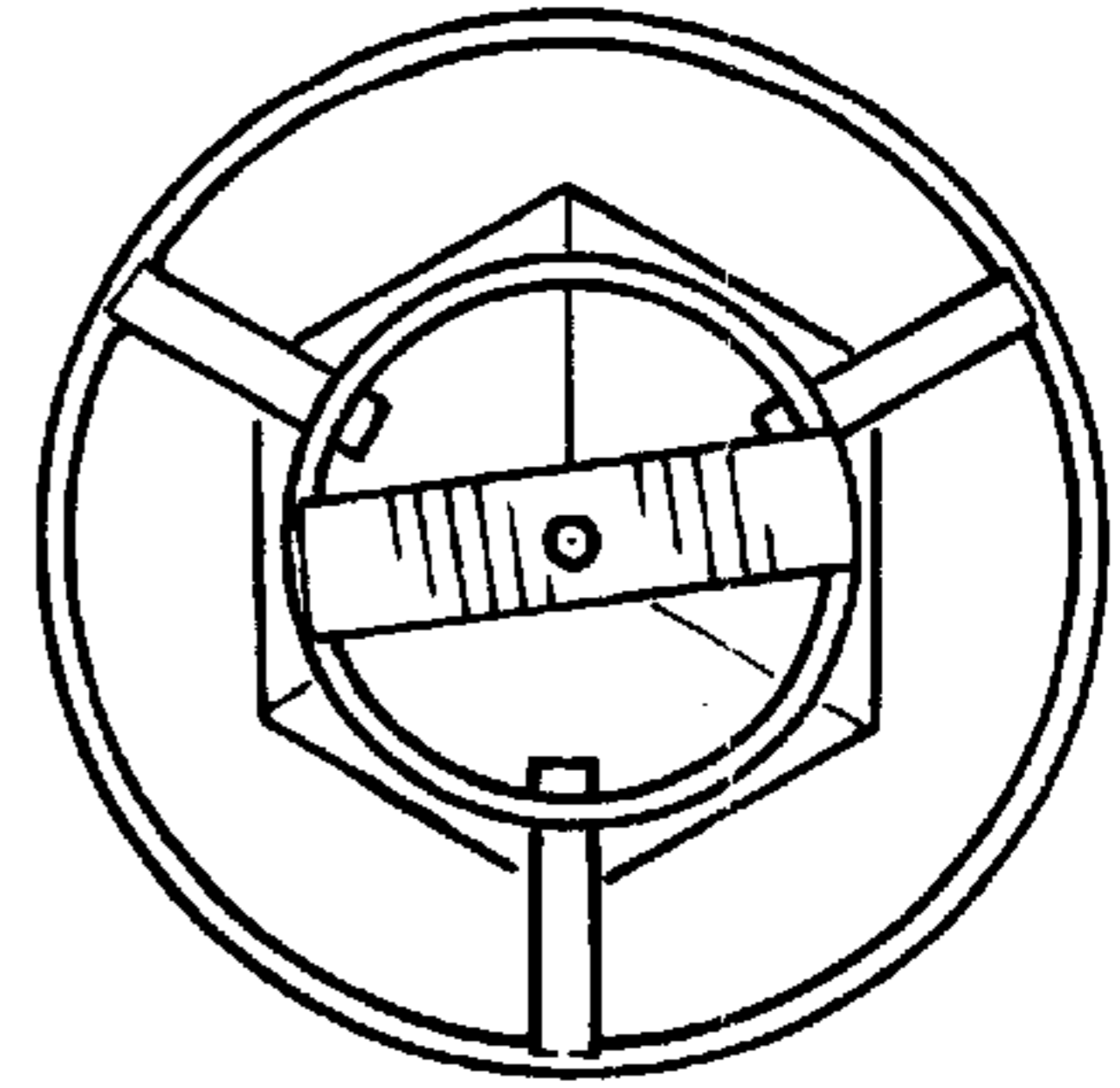


FIG. 2

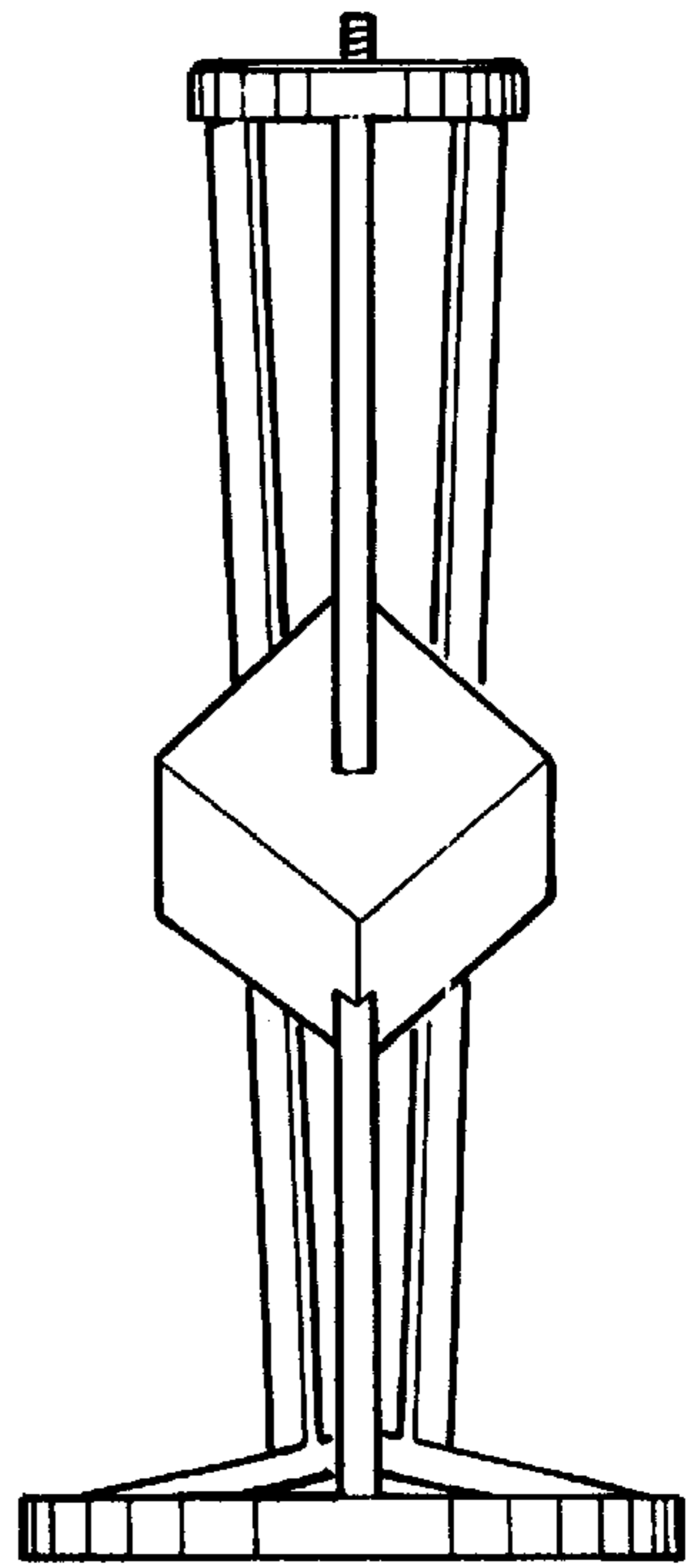


FIG. 3

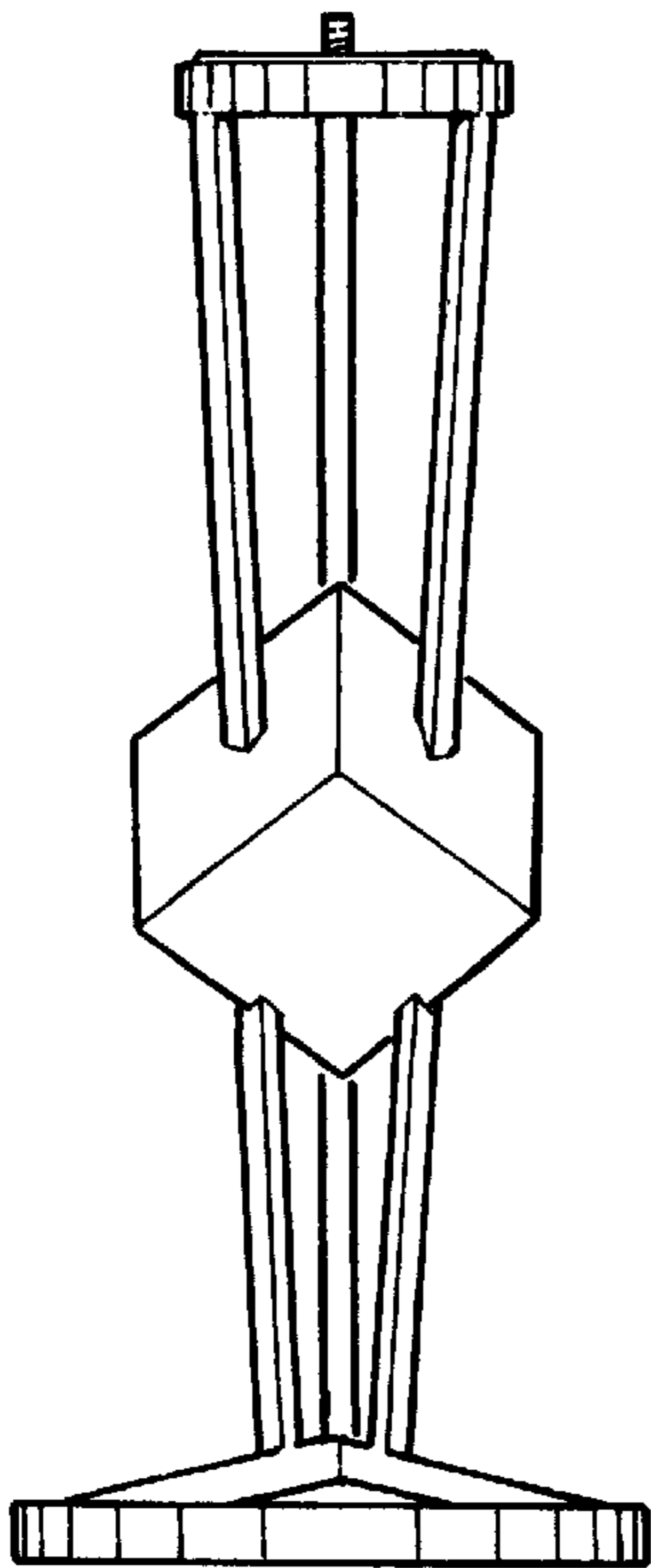


FIG. 4

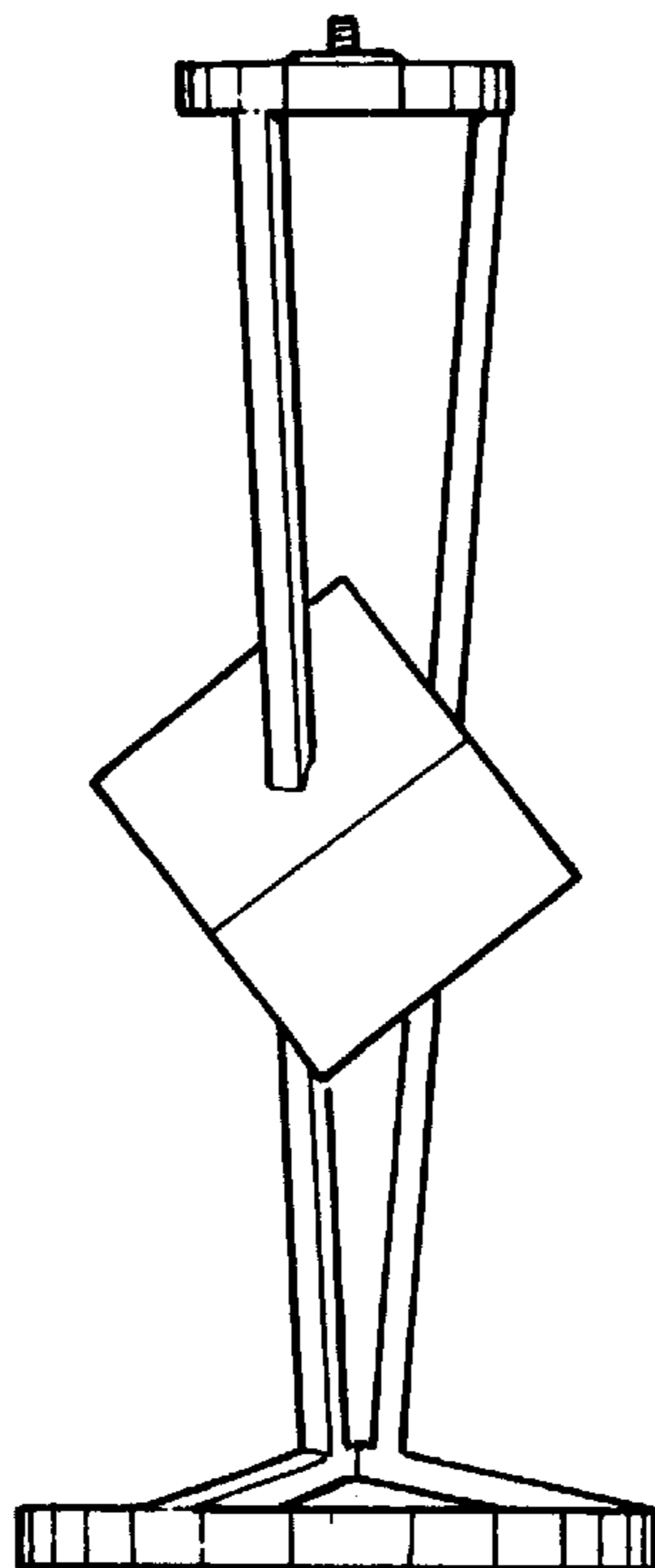


FIG. 5

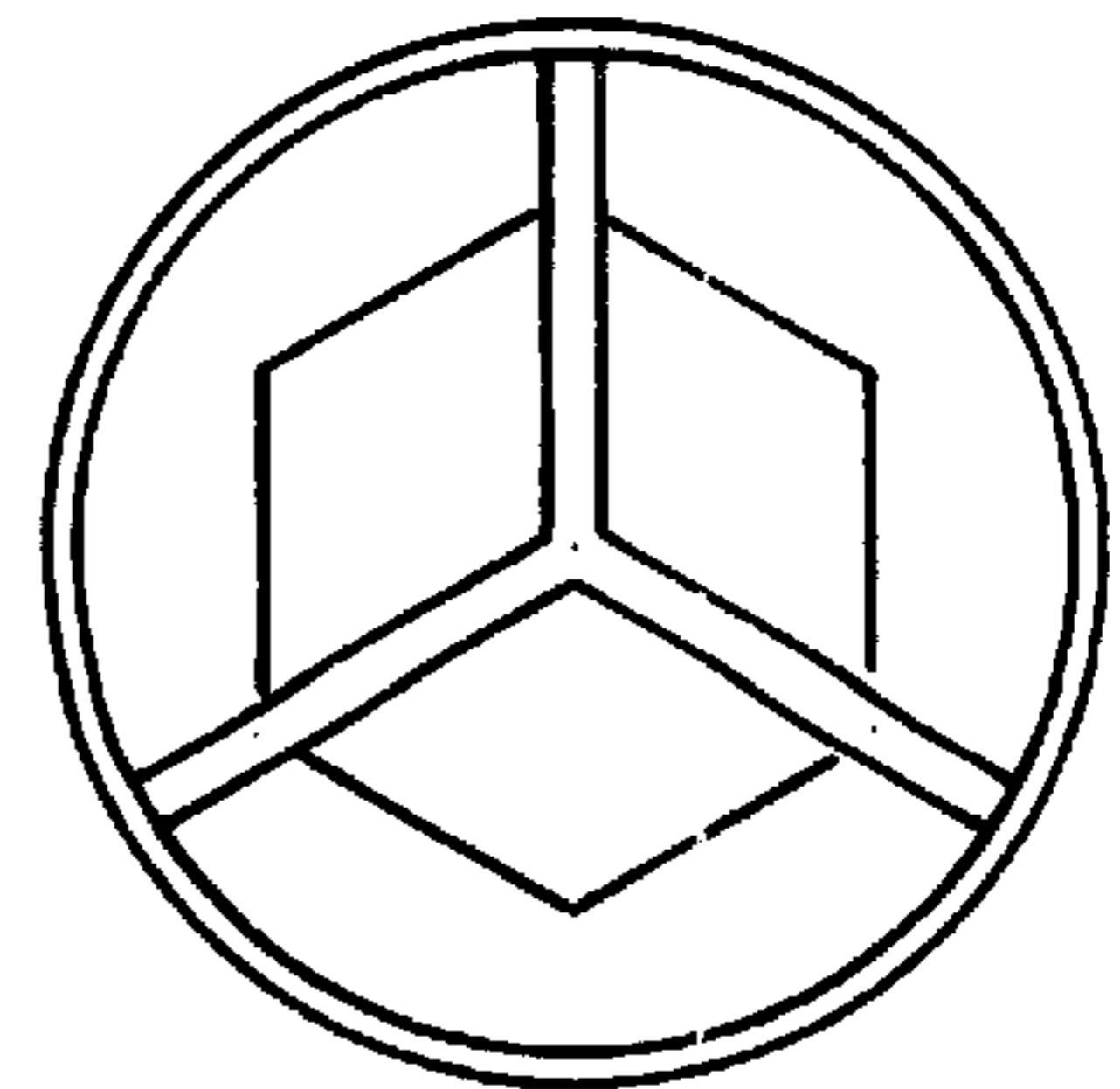


FIG. 6