

US00D432701S

United States Patent [19]
Hsieh

[11] **Patent Number: Des. 432,701**
[45] **Date of Patent: ** Oct. 24, 2000**

[54] **PENDENT LAMP**

OTHER PUBLICATIONS

[75] Inventor: **Freda Hsieh**, Taichung, Taiwan
[73] Assignee: **Whole Bright Industries Limited**,
Chai Wan, The Hong Kong Special
Administrative Region of the People's
Republic of China
[**] Term: **14 Years**

Lavery lighting catalog, 1985, p. 38, pendant lamp #610.
F. Ramond lighting catalog, 1989, p. 4, pendant lamp #4877.

Primary Examiner—Susan J. Lucas
Attorney, Agent, or Firm—Rosenberg, Klein & Lee

[21] Appl. No.: **29/116,890**
[22] Filed: **Jan. 13, 1999**

[57] **CLAIM**
The ornamental design for a pendent lamp, as shown and described.

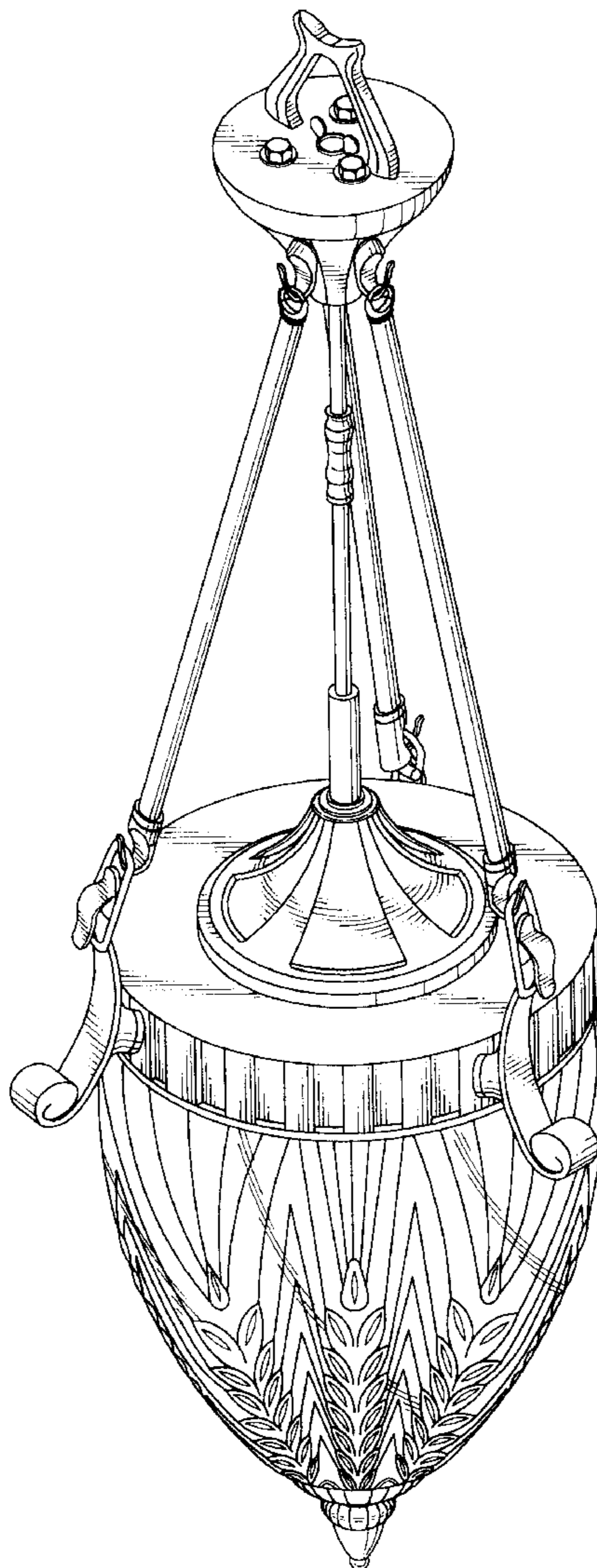
[51] **LOC (7) Cl.** **26-05**
[52] **U.S. Cl.** **D26/90**
[58] **Field of Search** D26/72, 80-92,
D26/142, 143, 149, 156; 362/147, 404-408

DESCRIPTION

FIG. 1 is a perspective view of pendent lamp showing my new design;
FIG. 2 is a front elevation view thereof;
FIG. 3 is a rear elevation view thereof;
FIG. 4 is a left side elevation view thereof;
FIG. 5 is a right side elevation view thereof;
FIG. 6 is a top plan view thereof; and,
FIG. 7 is a bottom plan view thereof.

[56] **References Cited**
U.S. PATENT DOCUMENTS
D. 422,375 4/2000 Milicia D26/88

1 Claim, 6 Drawing Sheets



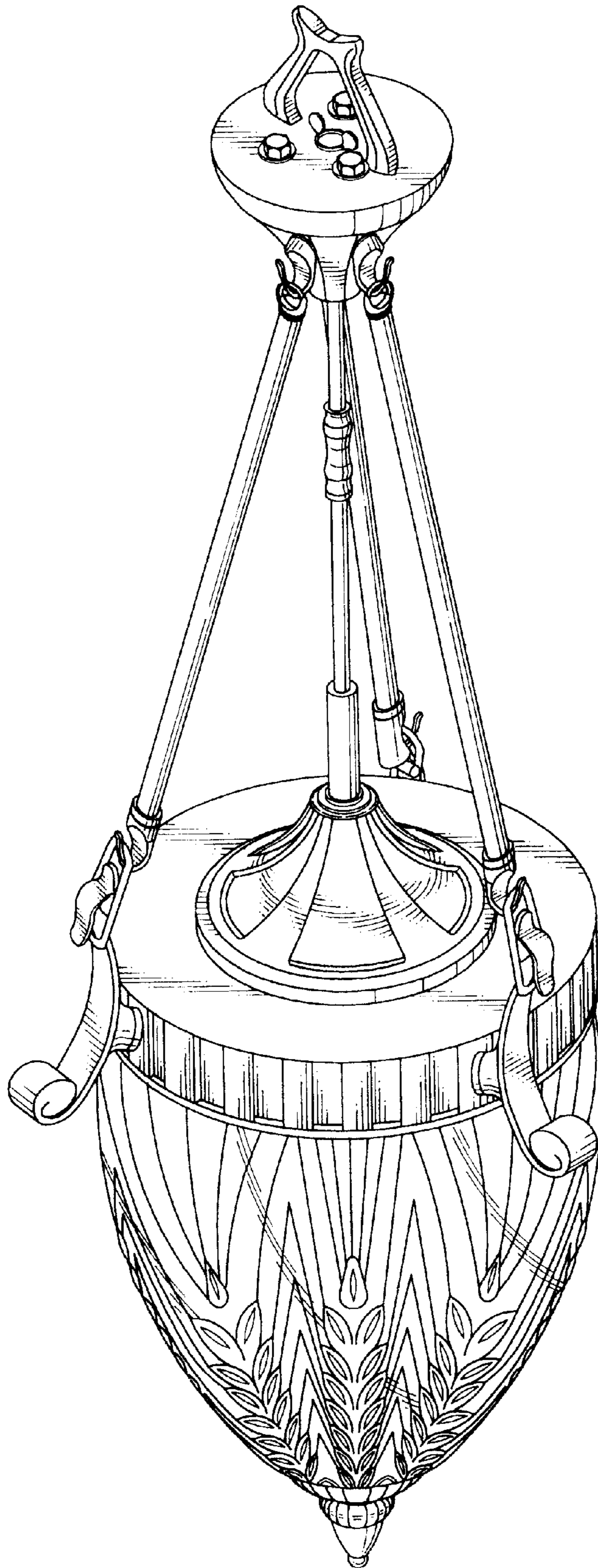


FIG. 1

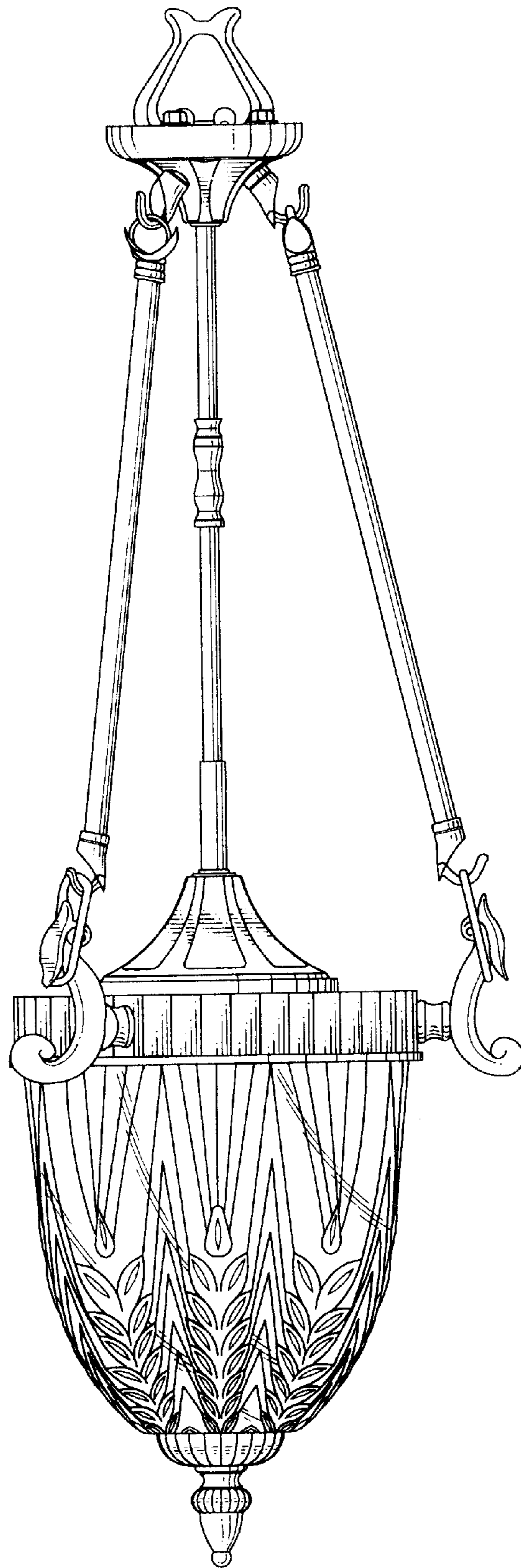


FIG. 2

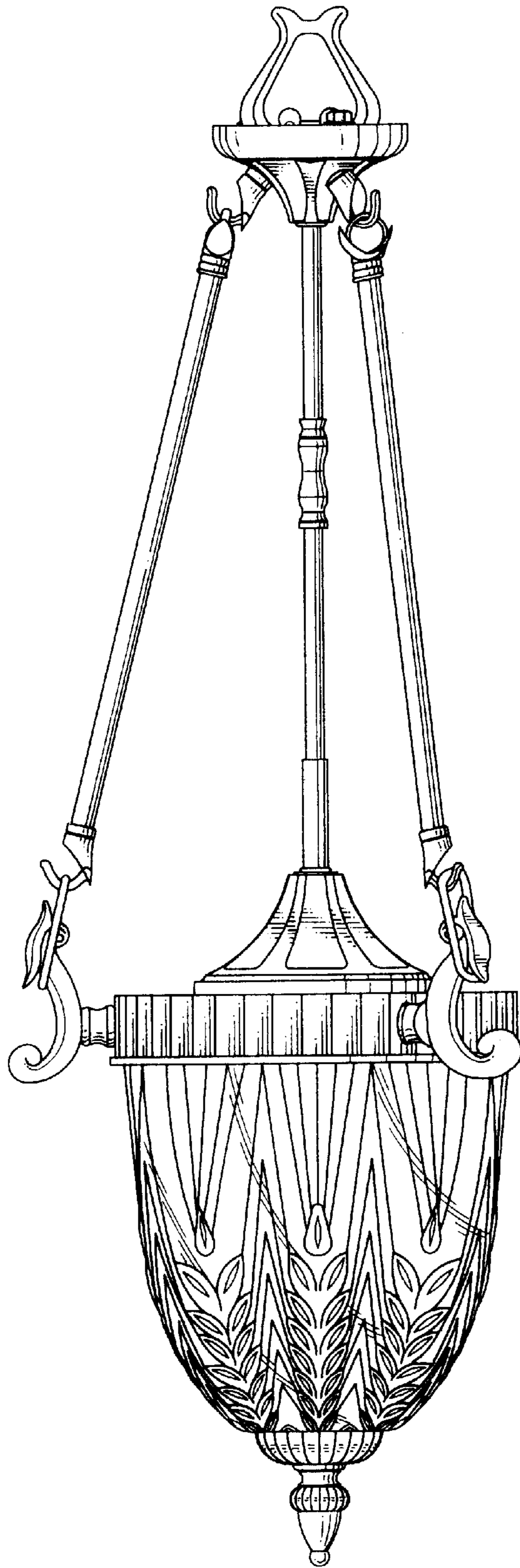


FIG. 3

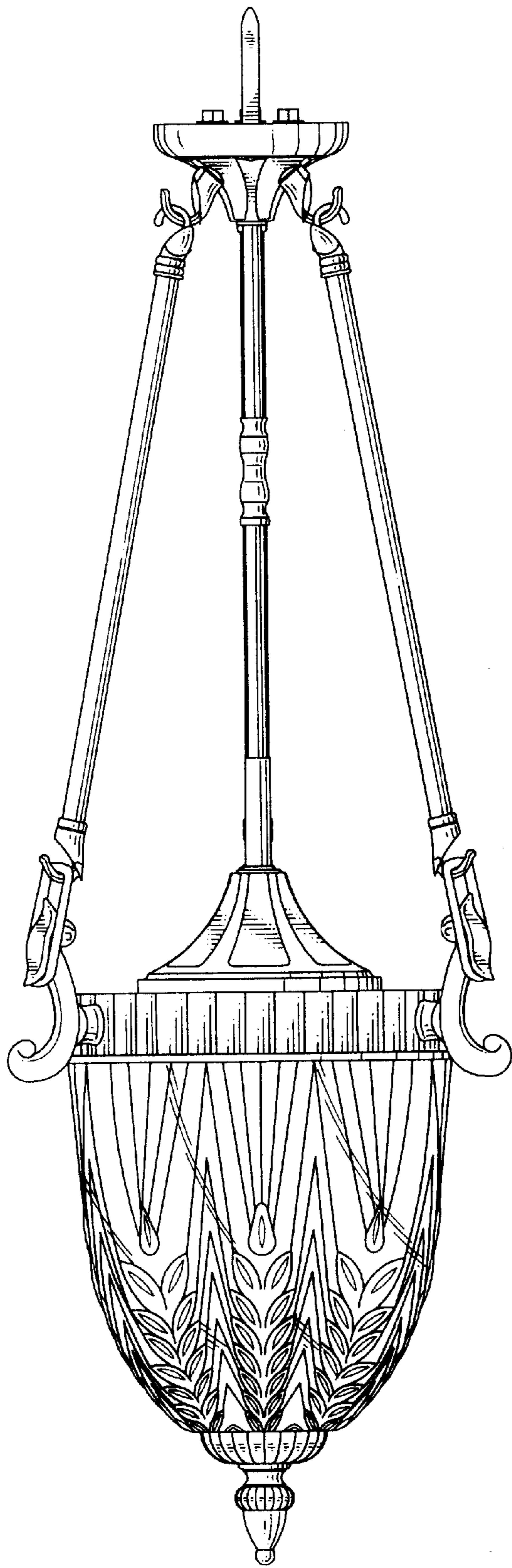


FIG. 4

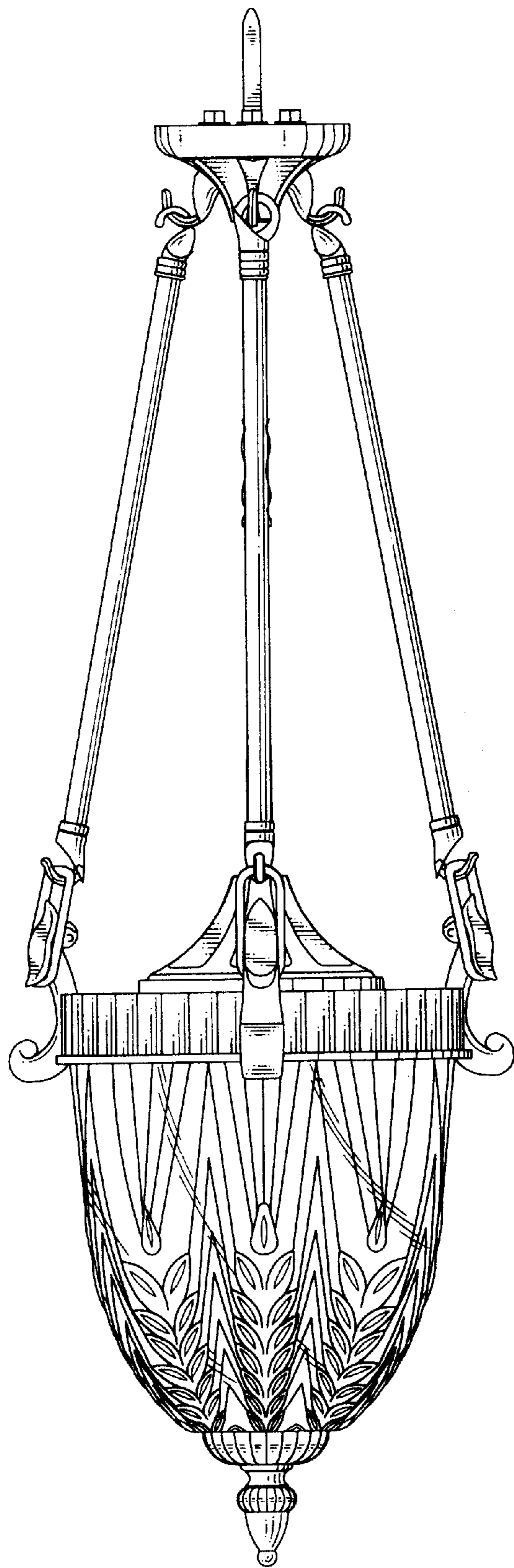


FIG. 5

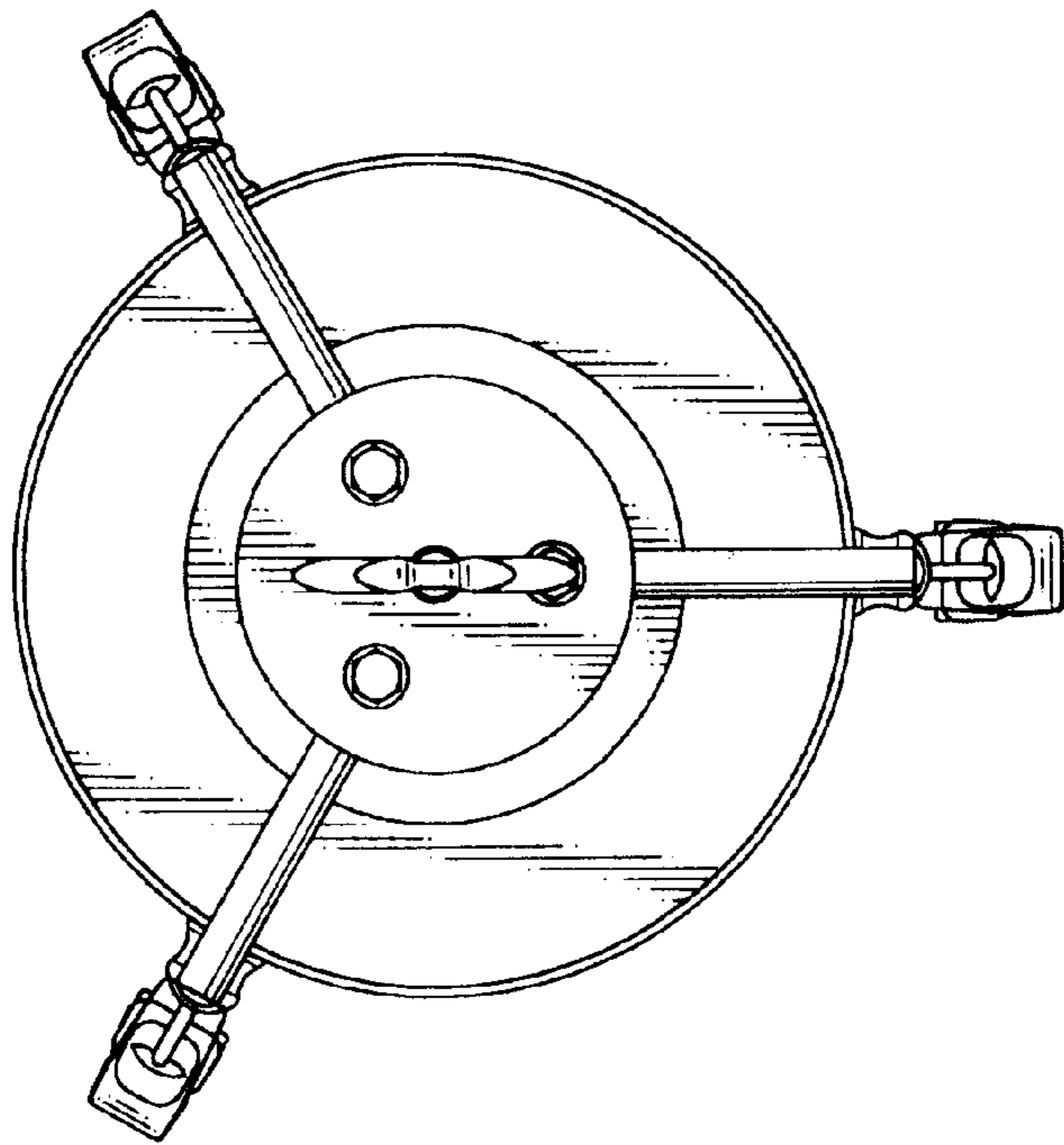


FIG. 6

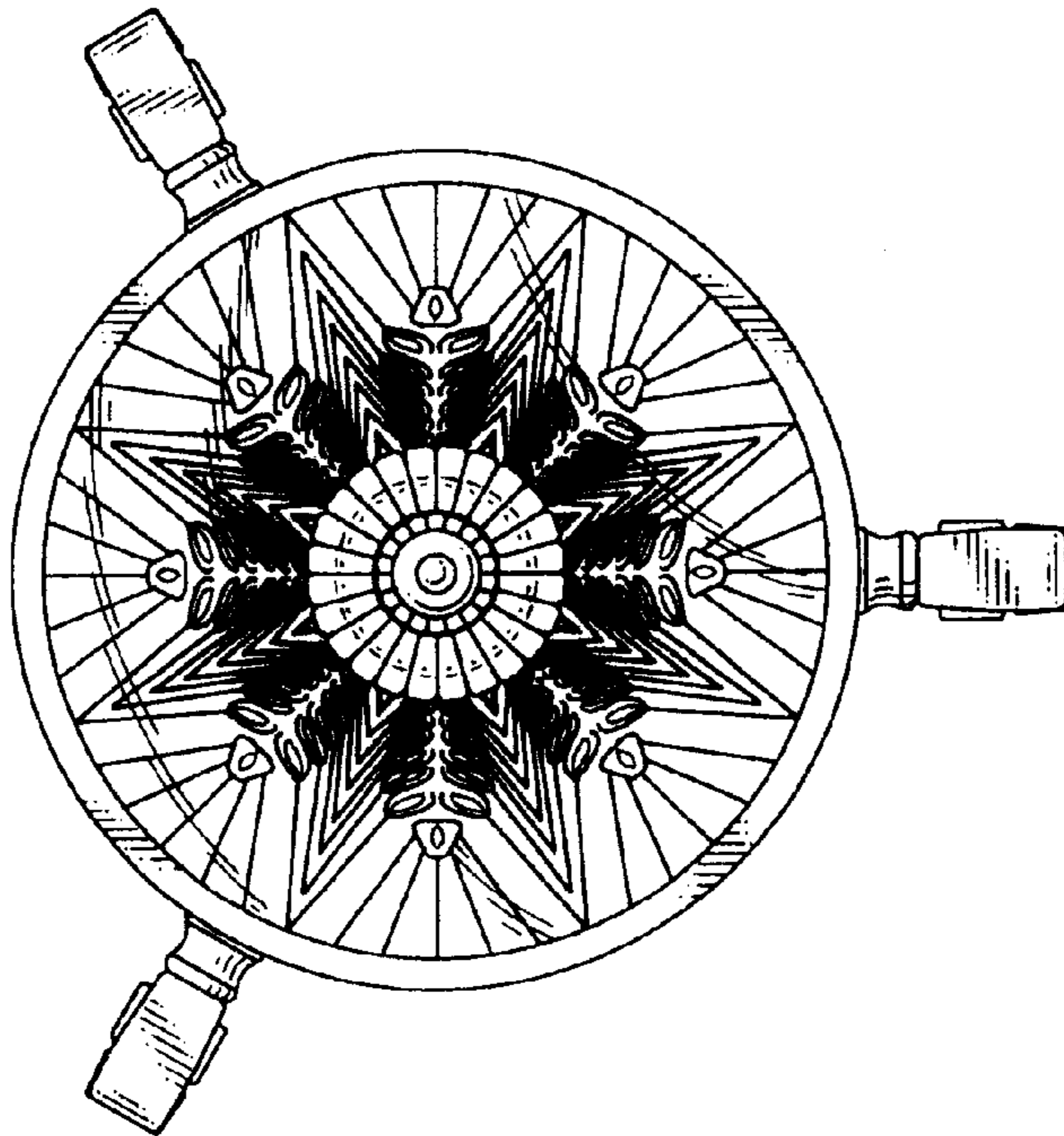


FIG. 7