



US00D432700S

United States Patent [19]

[11] Patent Number: Des. 432,700

Avila et al.

[45] Date of Patent: ** Oct. 24, 2000

[54] OUTDOOR LIGHTING LUMINAIRE

[75] Inventors: **Henry Avila**, Palmdale; **Angel Orellana**, Los Angeles; **Joseph Straus**, Woodland Hills, all of Calif.

[73] Assignee: **U.S. Pole Company, Inc.**, Sun Valley, Calif.

[**] Term: **14 Years**

[21] Appl. No.: **29/092,648**

[22] Filed: **Aug. 24, 1998**

[51] **LOC (7) Cl.** **26-03**

[52] **U.S. Cl.** **D26/87**

[58] **Field of Search** D26/24, 63, 67-71, D26/87, 92; 362/147, 431, 432, 153, 153.1, 226, 370

[56] References Cited

U.S. PATENT DOCUMENTS

D. 85,382	10/1931	Guth	D26/24
D. 205,624	8/1966	Pritchett	D26/24

(List continued on next page.)

Primary Examiner—Freda Nunn

Attorney, Agent, or Firm—Christie, Parker & Hale, LLP

[57] CLAIM

The ornamental design for an outdoor lighting luminaire, as shown and described.

DESCRIPTION

FIG. 1 is a perspective view of one embodiment of the luminaire from below and the right;

FIG. 2 is a top view of the embodiment of FIG. 1;

FIG. 3 is a right side view of the embodiment of FIG. 1, a left side view being the same;

FIG. 4 is a bottom view of the embodiment of FIG. 1;

FIG. 5 is a front view of the embodiment of FIG. 1;

FIG. 6 is a back view of the embodiment of FIG. 1;

FIG. 7 is a perspective view of a second embodiment of the luminaire from below and the right, the top, side, bottom, front, and back views of the second embodiment being identical to FIGS. 2-6, respectively.

FIG. 8 is a perspective view of a third embodiment of the luminaire from below and the right, the top, side, bottom, front, and back views of the third embodiment being identical to FIGS. 2-6, respectively.

FIG. 9 is a perspective view of a fourth embodiment of the luminaire from below and the right, the top, side, bottom, front, and back views of the fourth embodiment being identical to FIGS. 2-6, respectively.

FIG. 10 is a perspective view of a fifth embodiment of the luminaire from below and the right, the top, side, bottom, front, and back views of the fifth embodiment being identical to FIGS. 2-6, respectively.

FIG. 11 is a perspective view of a sixth embodiment of the luminaire from below and the right, the top, side, bottom, front, and back views of the sixth embodiment being identical to FIGS. 2-6, respectively.

FIG. 12 is a perspective view of a seventh embodiment of the luminaire from below and the right, the top, side, bottom, front, and back views of the seventh embodiment being identical to FIGS. 2-6, respectively.

FIG. 13 is a perspective view of an eighth embodiment of the luminaire from below and the right, the top, side, bottom, front, and back views of the eighth embodiment being identical to FIGS. 2-6, respectively.

FIGS. 14 and 15 are perspective views of a ninth embodiment of the luminaire from below and the right and from above and the right, respectively, the top, side, bottom, front, and back views of the ninth embodiment being identical to FIGS. 2-6, respectively.

FIG. 16 is a perspective view of a tenth embodiment of the luminaire from above and the right, the top, side, bottom, front, and back views of the tenth embodiment being identical to FIGS. 2-6, respectively.

FIG. 17 is a perspective view of an eleventh embodiment of the luminaire from above and the right, the top, side, bottom, front, and back views of the eleventh embodiment being identical to FIGS. 2-6, respectively.

FIG. 18 is a perspective view of a twelfth embodiment of the luminaire from above and the right, the top, side, bottom, front, and back views of the twelfth embodiment being identical to FIGS. 2-6, respectively.

FIGS. 19 and 20 are perspective views of a thirteenth embodiment of the luminaire from below and the right and from above and the right, respectively, the top, side, bottom, front, and back views of the thirteenth embodiment being identical to FIGS. 2-6, respectively.

FIGS. 21 and 22 are perspective views of a fourteenth embodiment of the luminaire from below and the right, and from above and the right, respectively, the top, side, bottom, front, and back views of the fourteenth embodiment being identical to FIGS. 2-6, respectively.

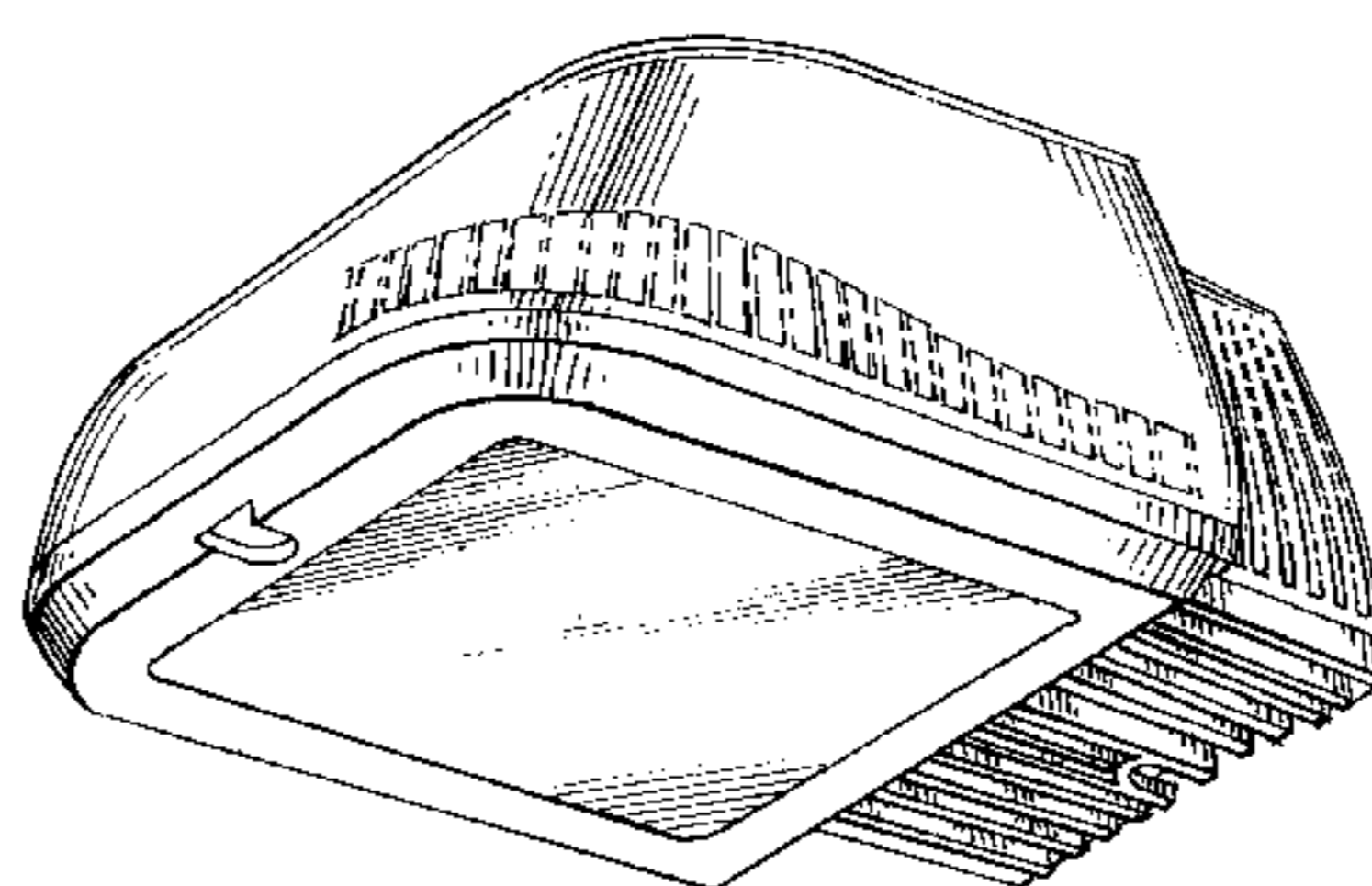
FIGS. 23 and 24 are perspective views of a fifteenth embodiment of the luminaire from below and the right and from above and the right, respectively, the top, side, bottom, front, and back views of the fifteenth embodiment being identical to FIGS. 2-6, respectively; and,

FIGS. 25 and 26 are perspective views of a sixteenth embodiment of the luminaire from below and the right and from above and the right, respectively, the top, side, bottom, front, and back views of the sixteenth embodiment being identical to FIGS. 2-6, respectively.

There are no fins on the surfaces not shown in FIGS. 7 to 18.

The broken lines are shown in the views for illustrative purposes only and form no part of the claimed design.

1 Claim, 26 Drawing Sheets



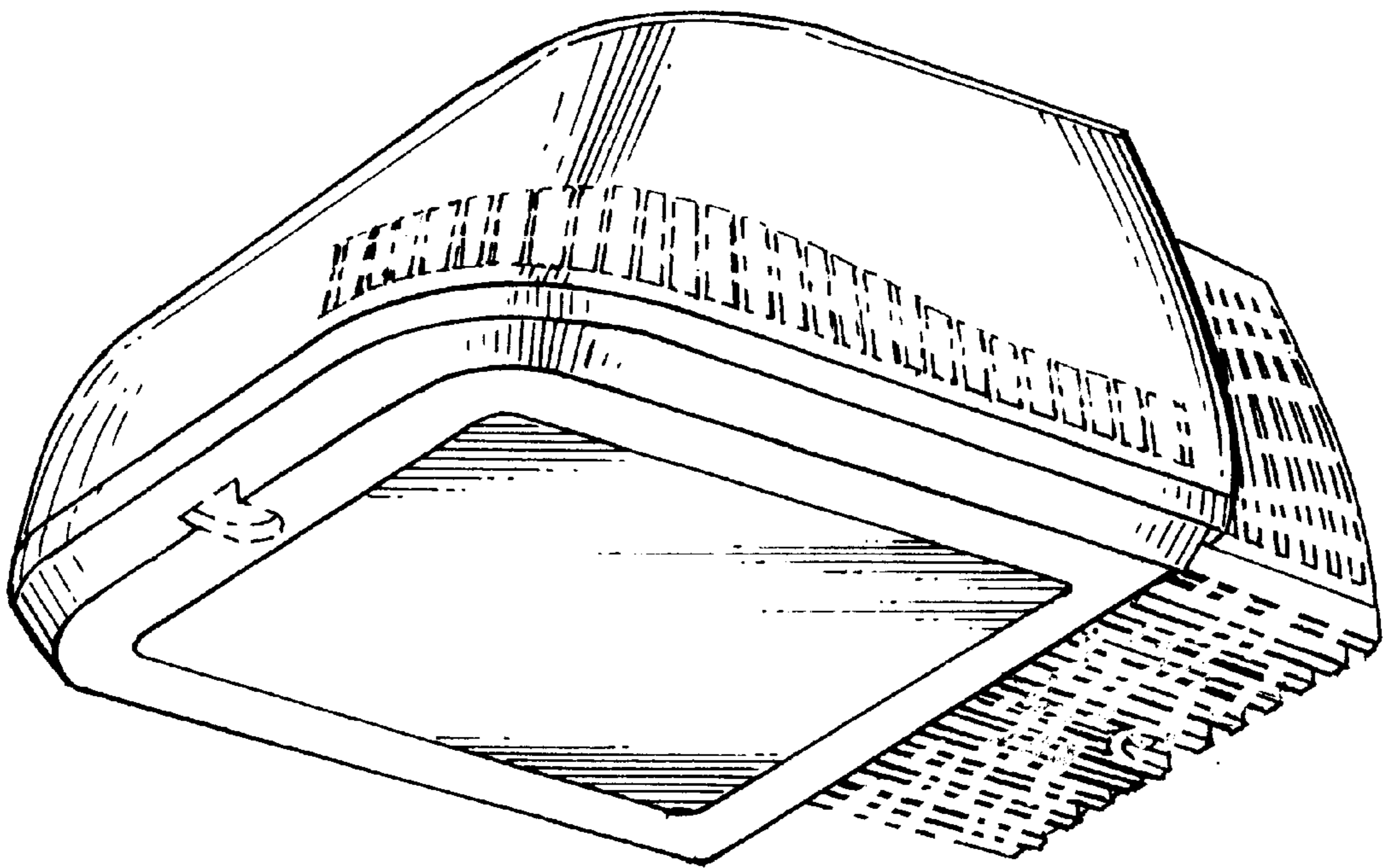
Des. 432,700

Page 2

U.S. PATENT DOCUMENTS

D. 209,081	10/1967	Netland	D26/71	D. 292,235	10/1987	Roos	D26/65
D. 232,655	9/1974	Aulenti	D26/63	D. 298,656	11/1988	Compton	D26/24
D. 264,135	4/1982	Zwillich et al.	D26/71	D. 323,897	2/1992	Compton	D26/24
D. 272,475	1/1984	Yahraus	D26/24	D. 358,902	5/1995	Webster, III	D26/87
				4,551,793	11/1985	Mellema	362/370
				4,937,718	6/1990	Murray	362/431

Fig. 1



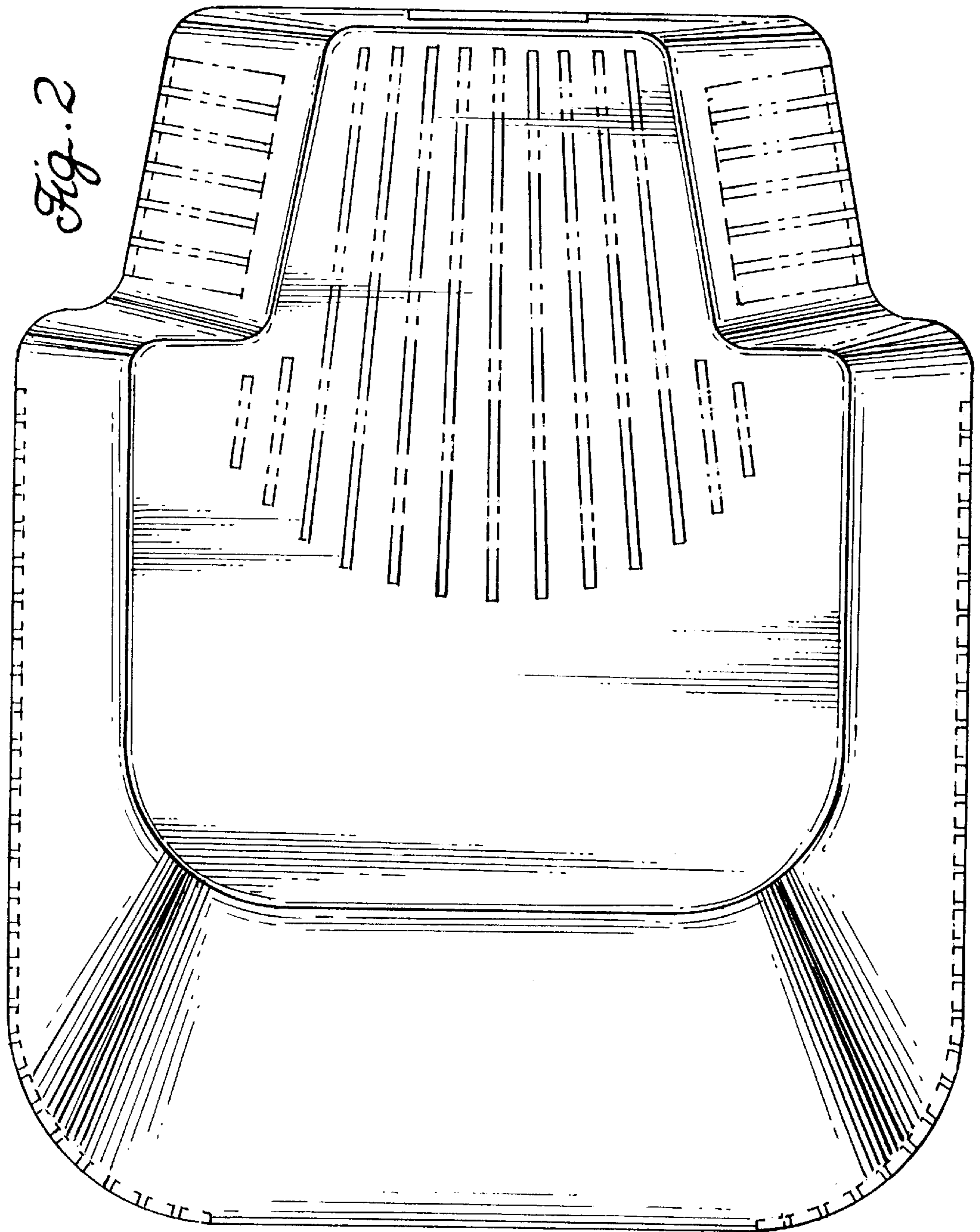
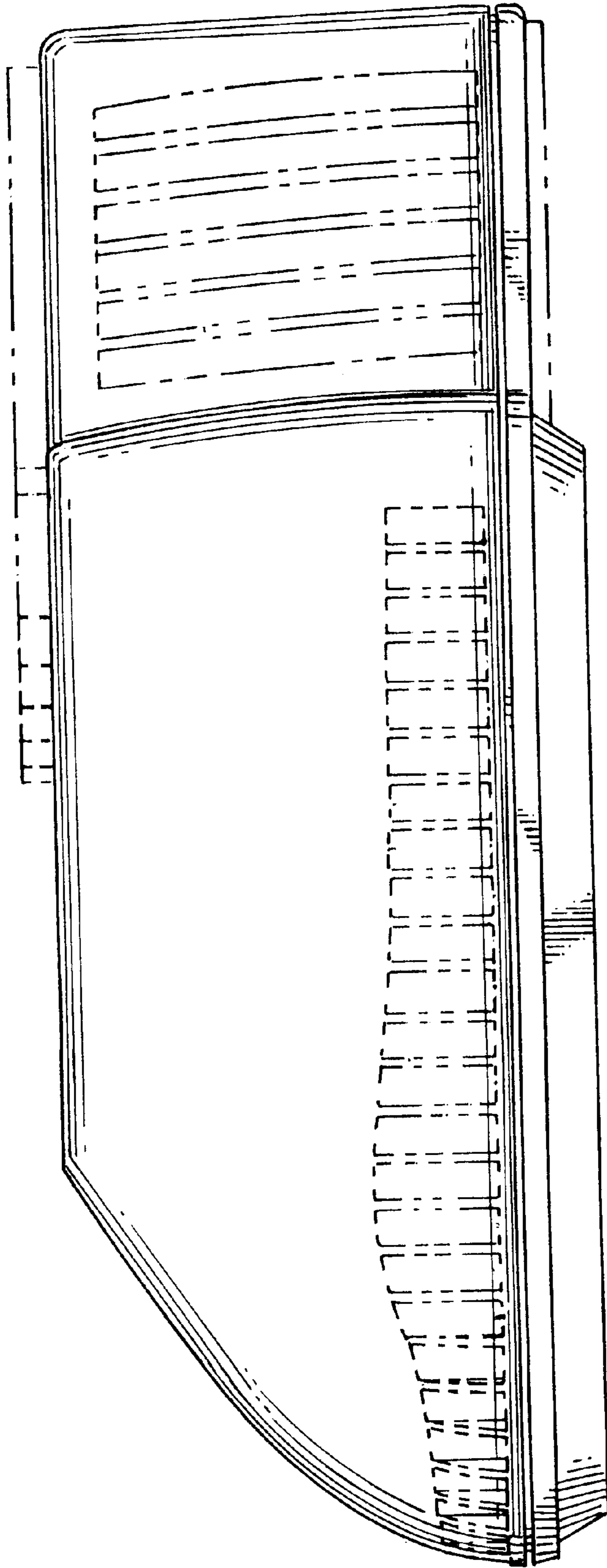


Fig. 3



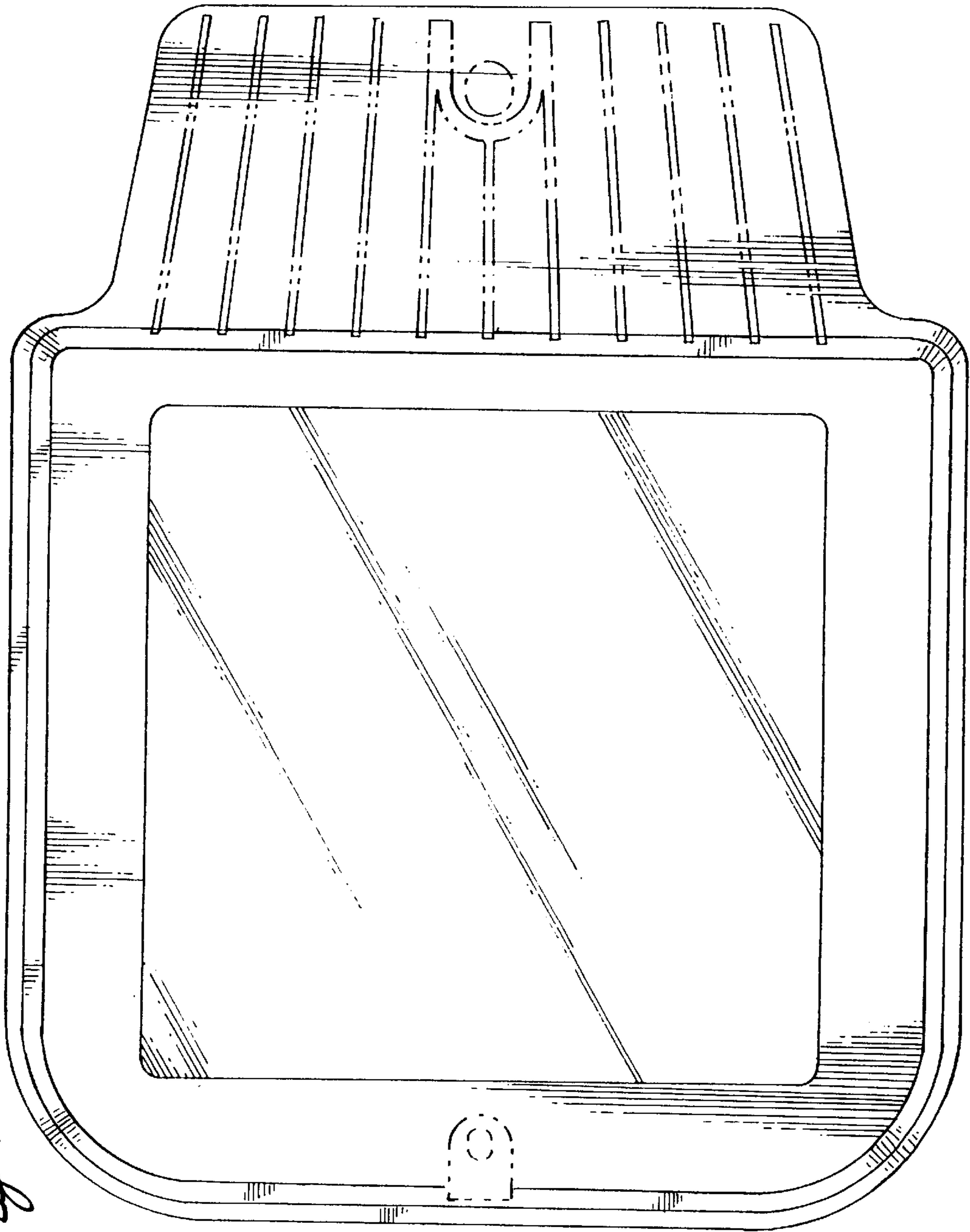


Fig. 4

Fig. 5

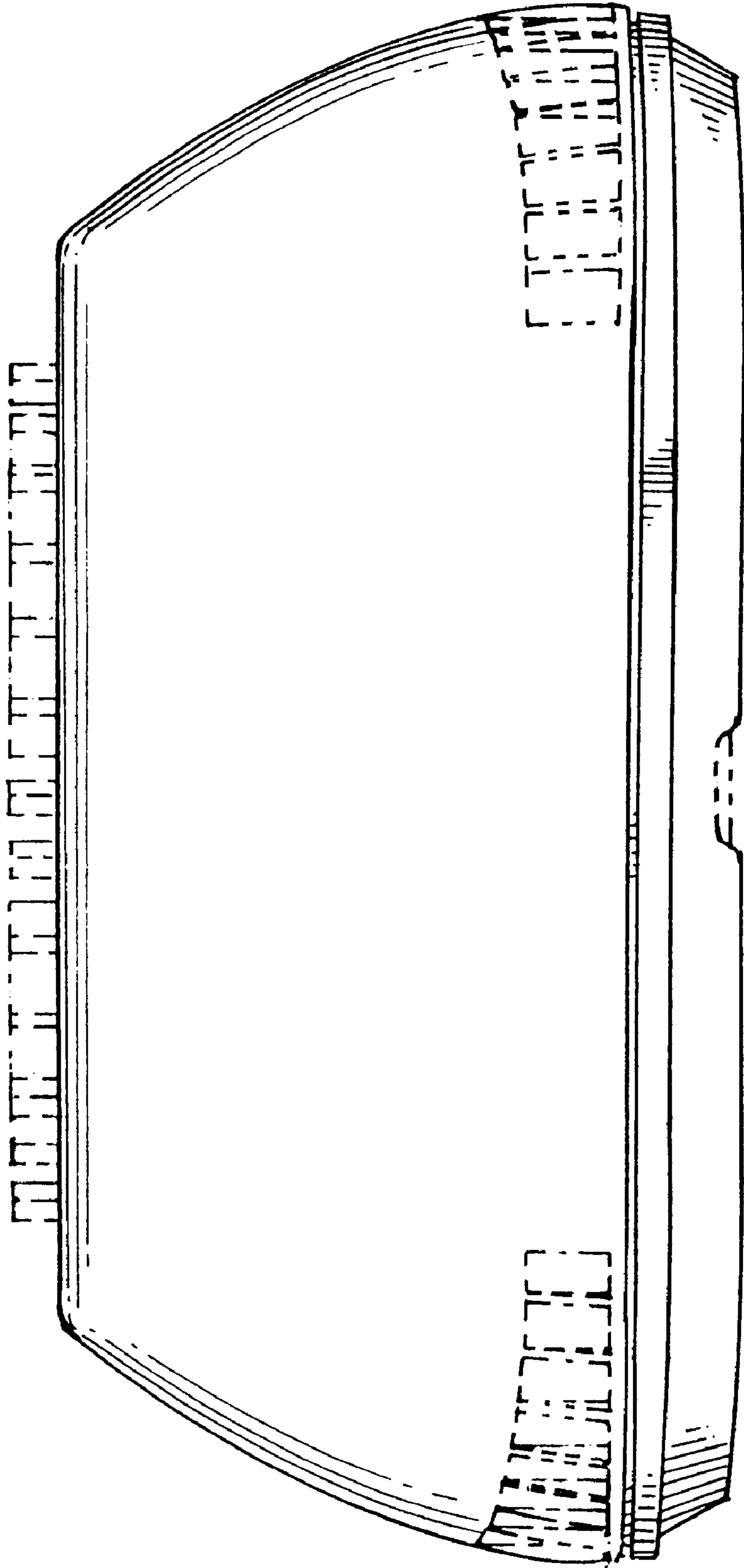


Fig. 6

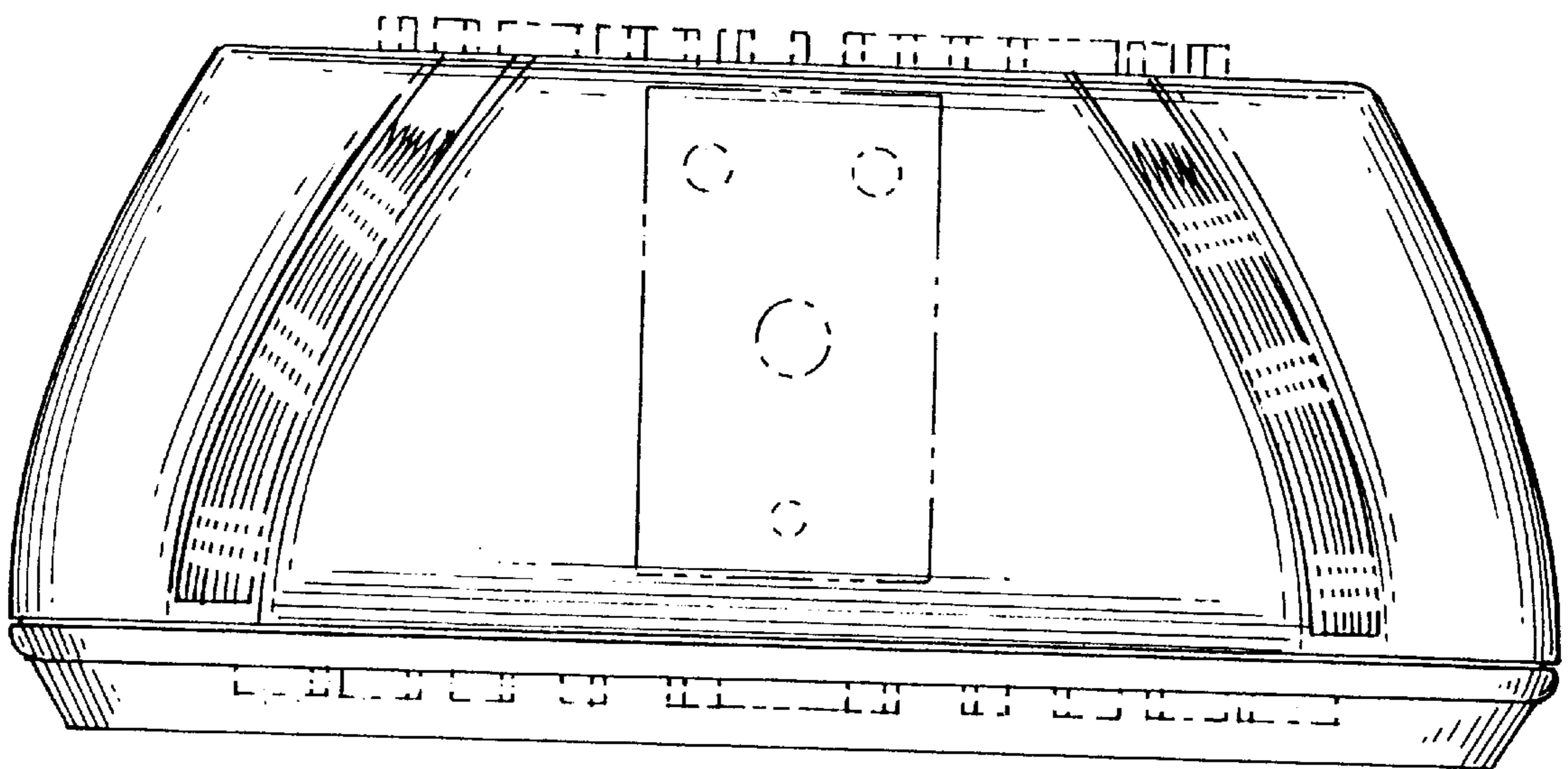


Fig. 7

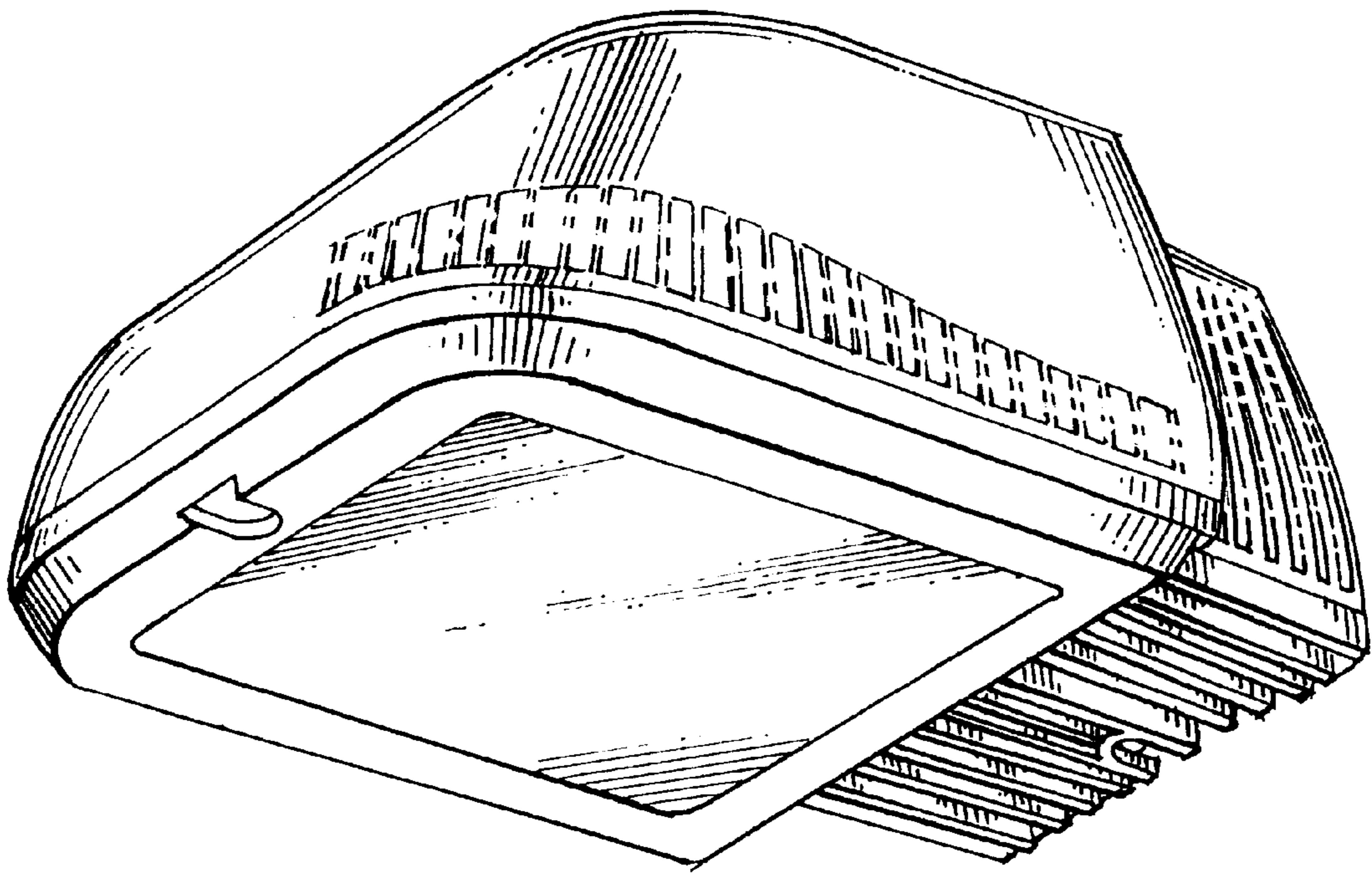


Fig. 8

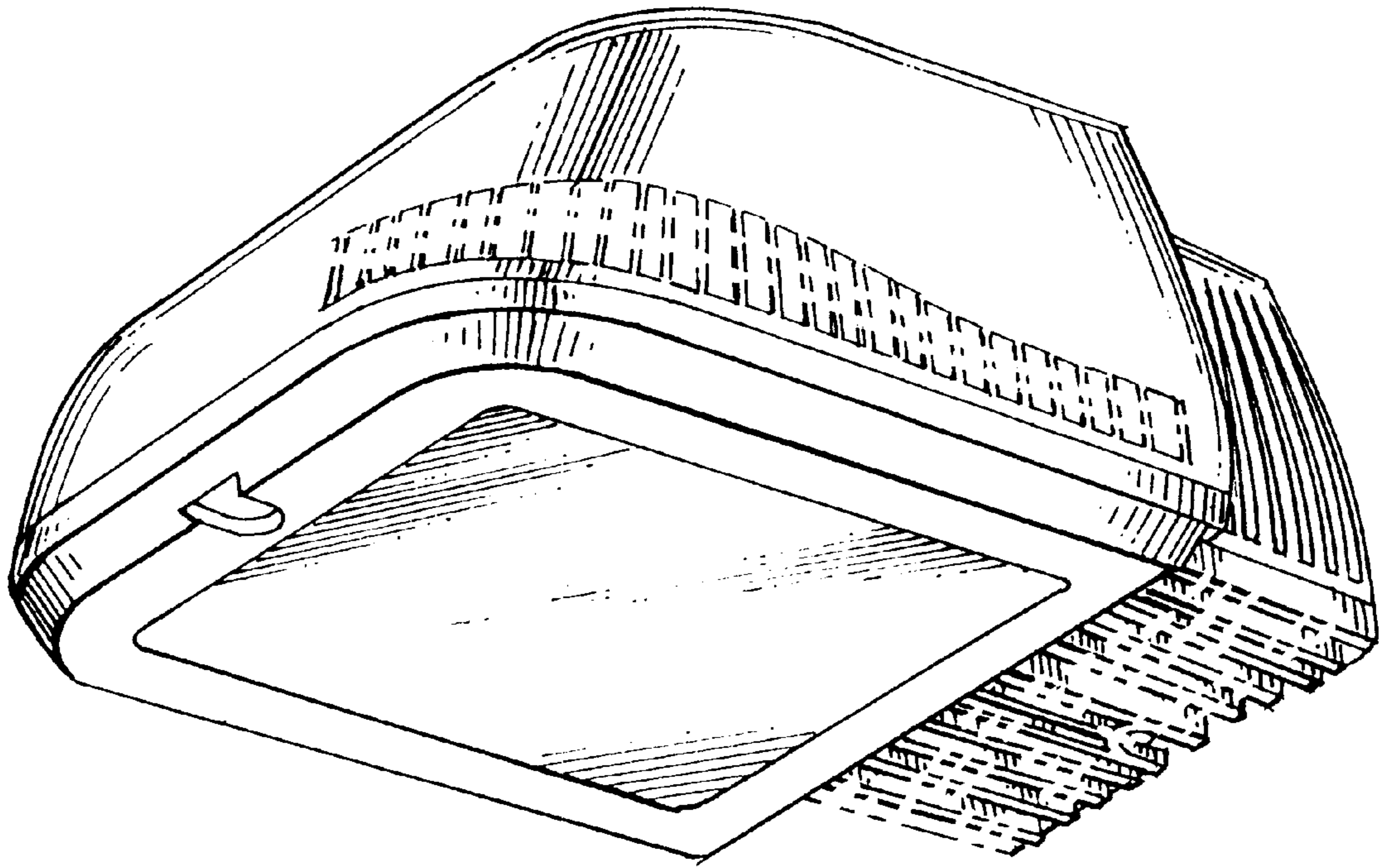


Fig. 9

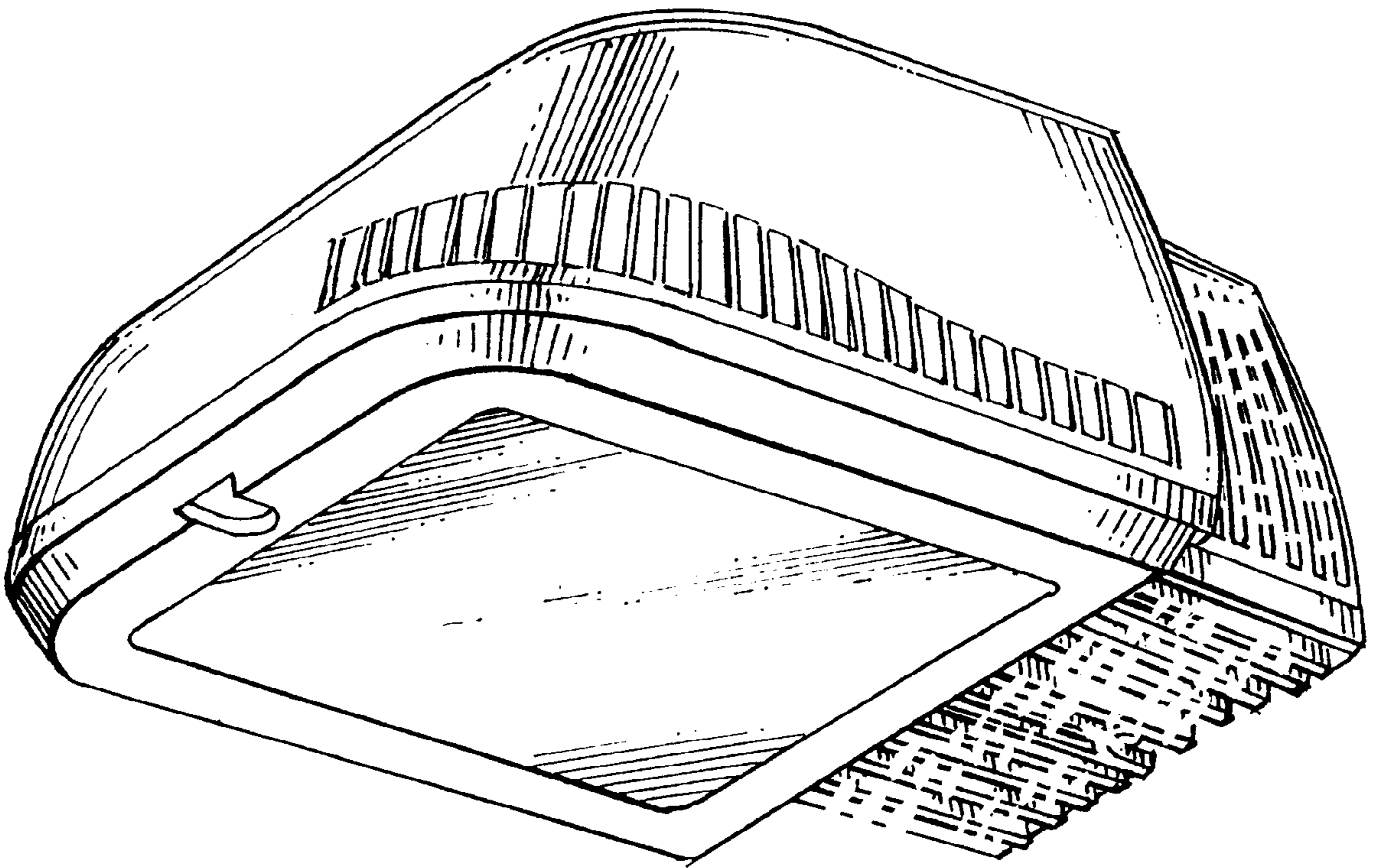


Fig. 10

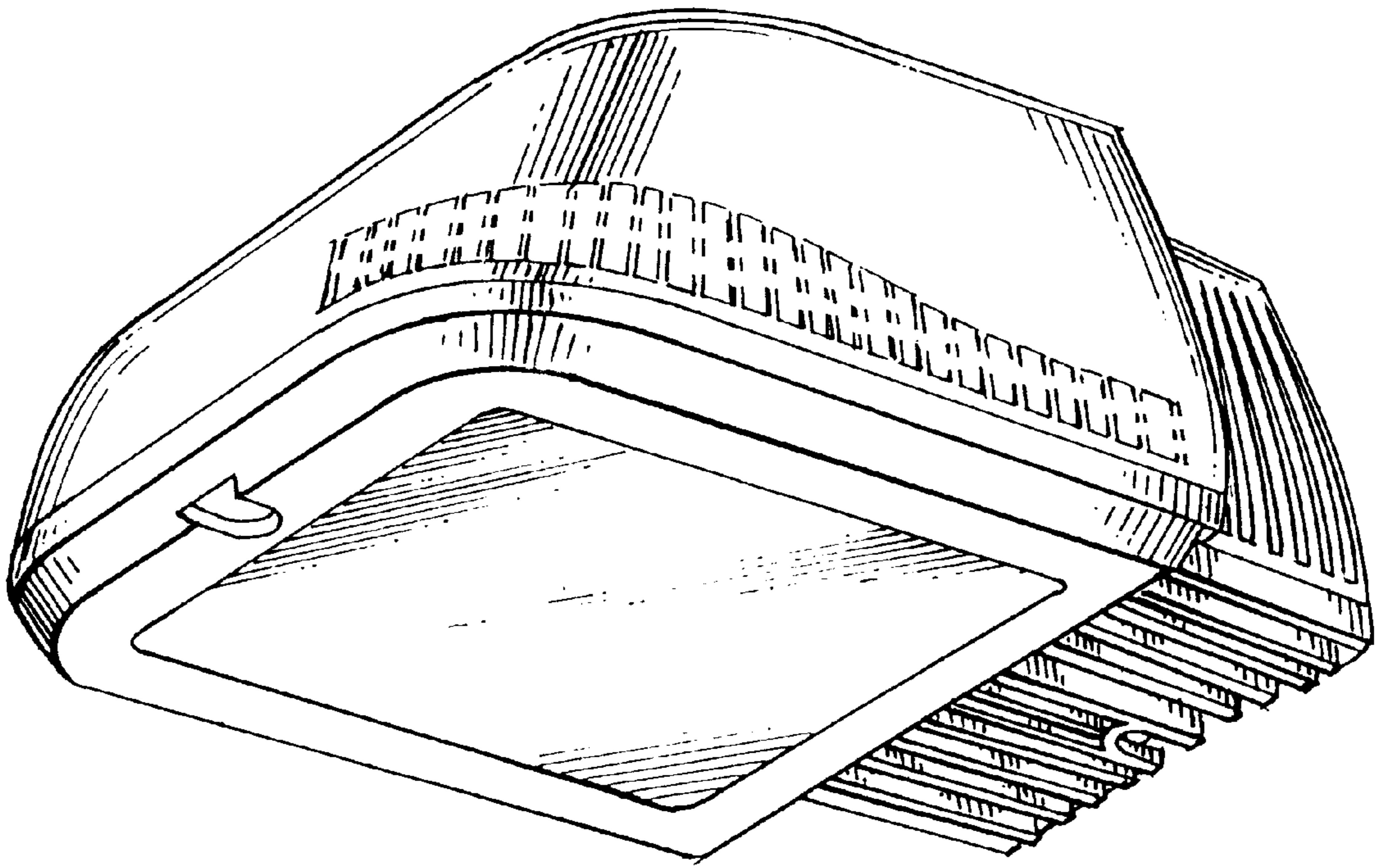


Fig. 11

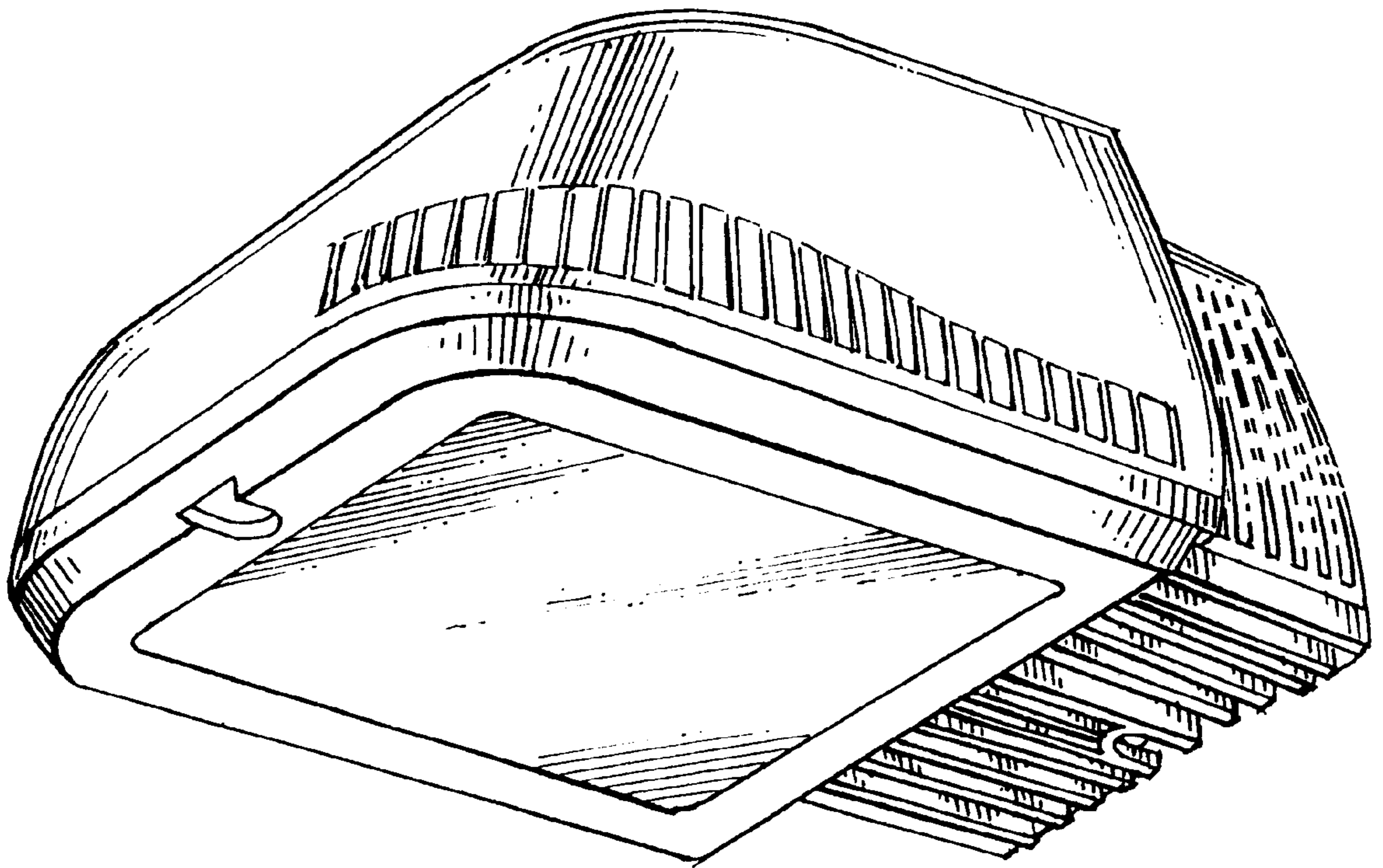


Fig. 12

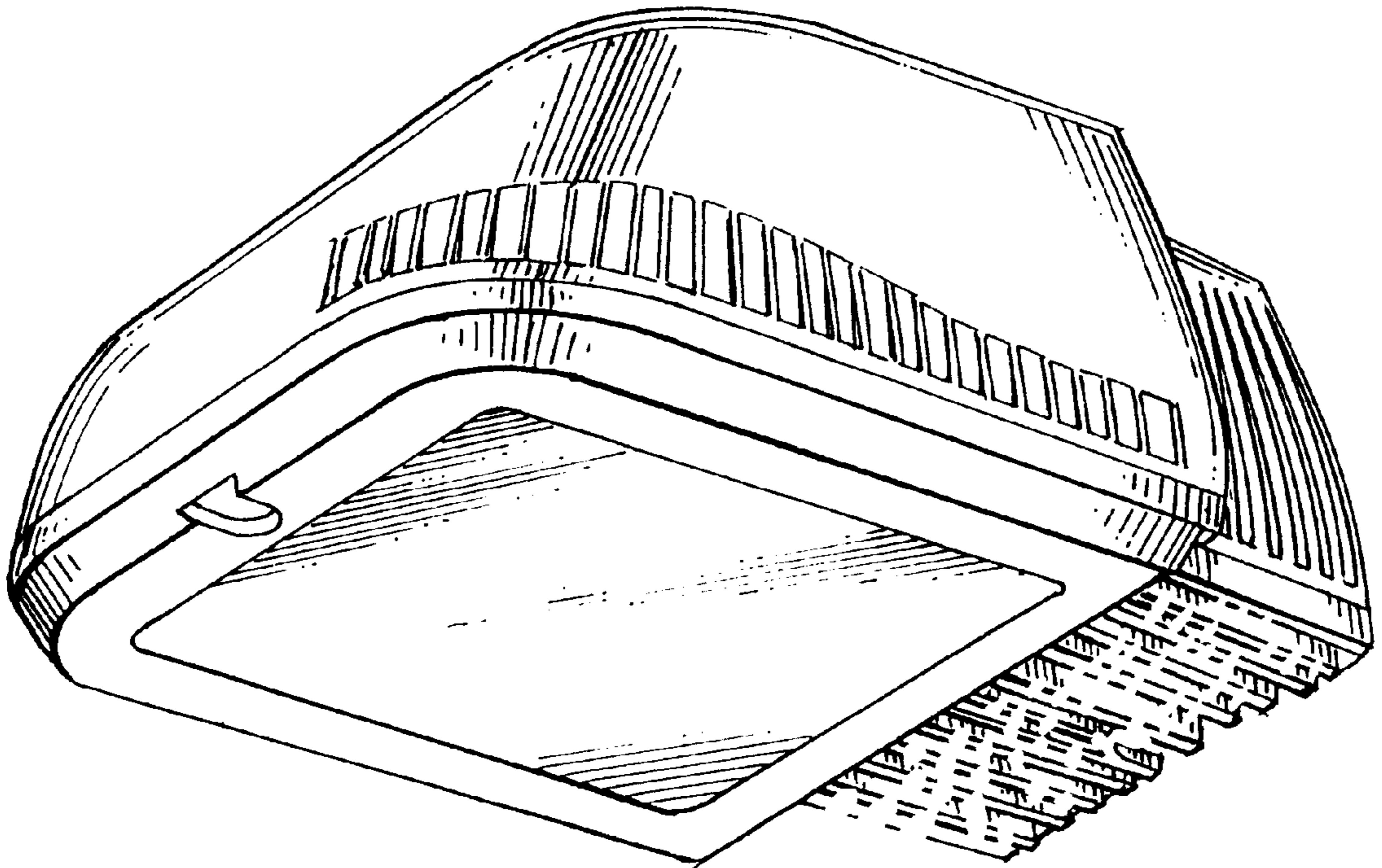


Fig. 13

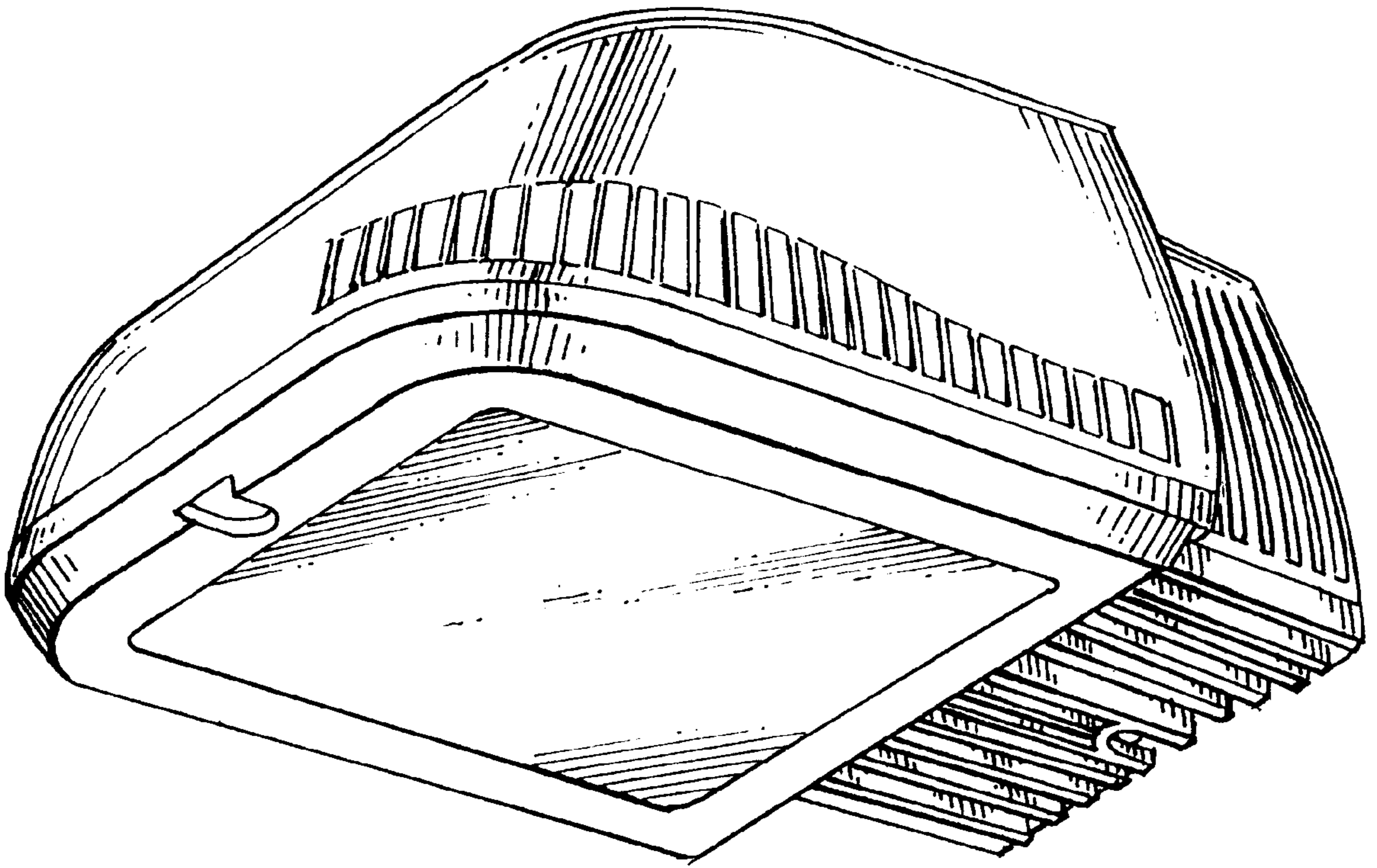
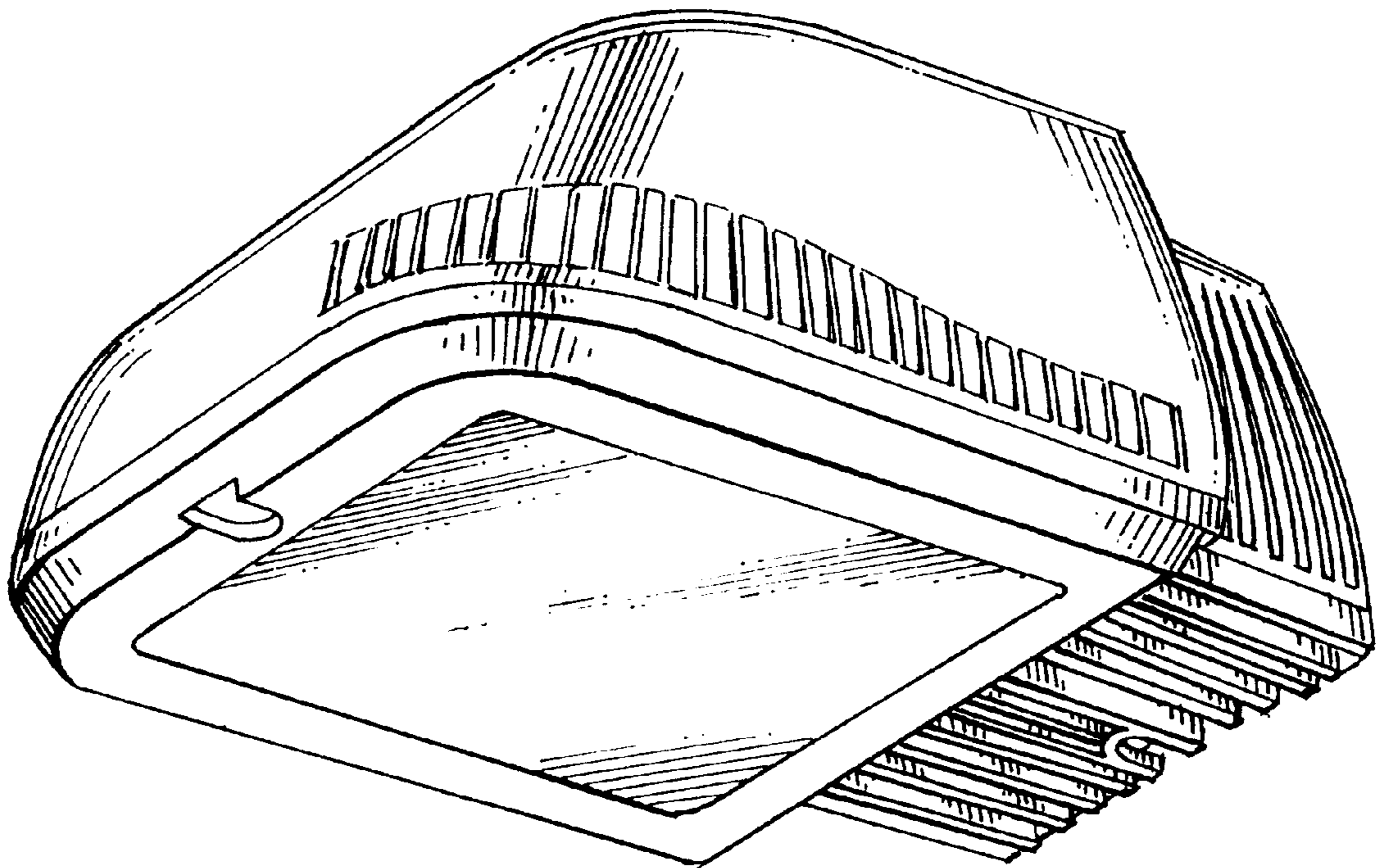


Fig. 1A



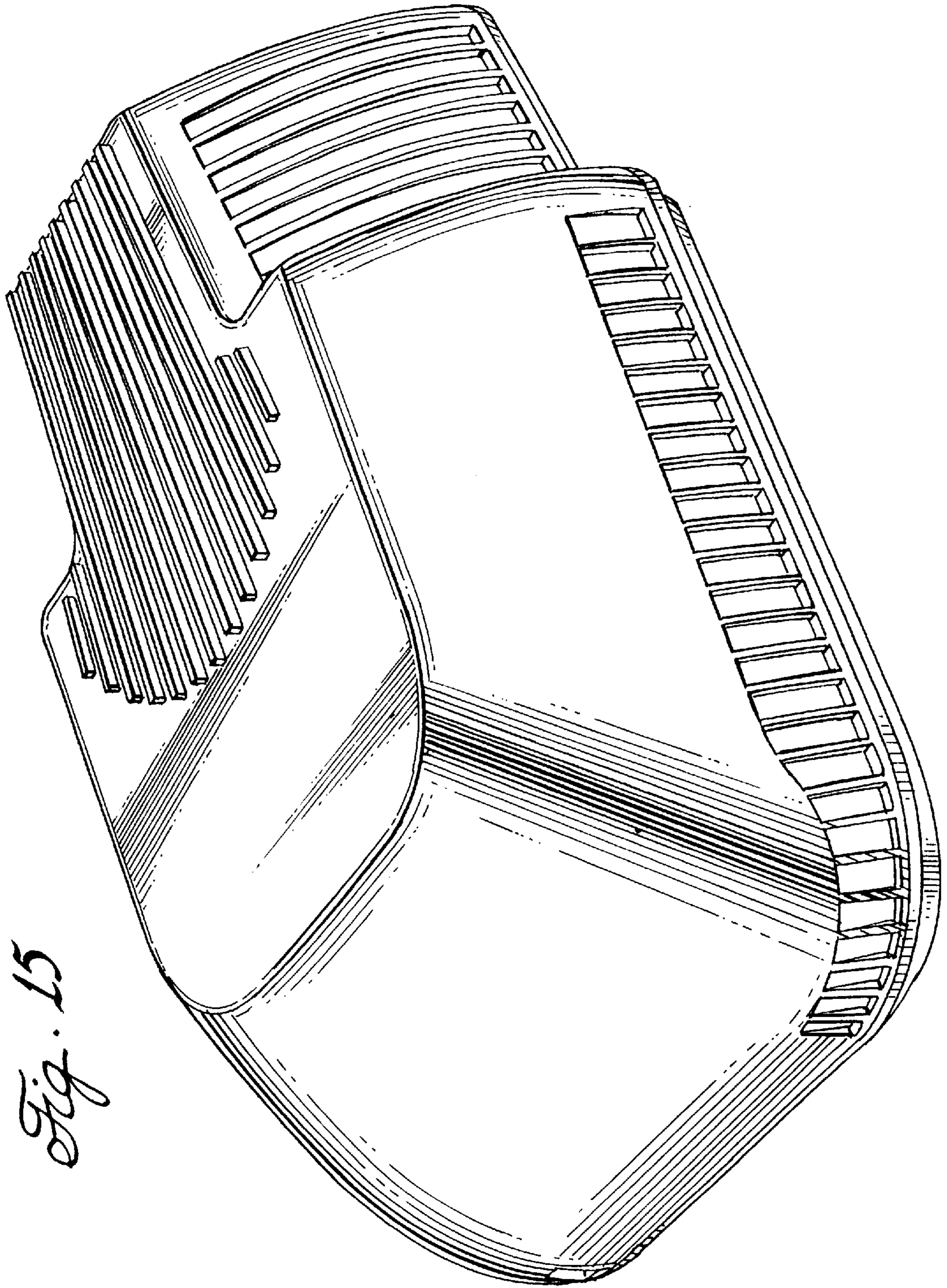


Fig. 15

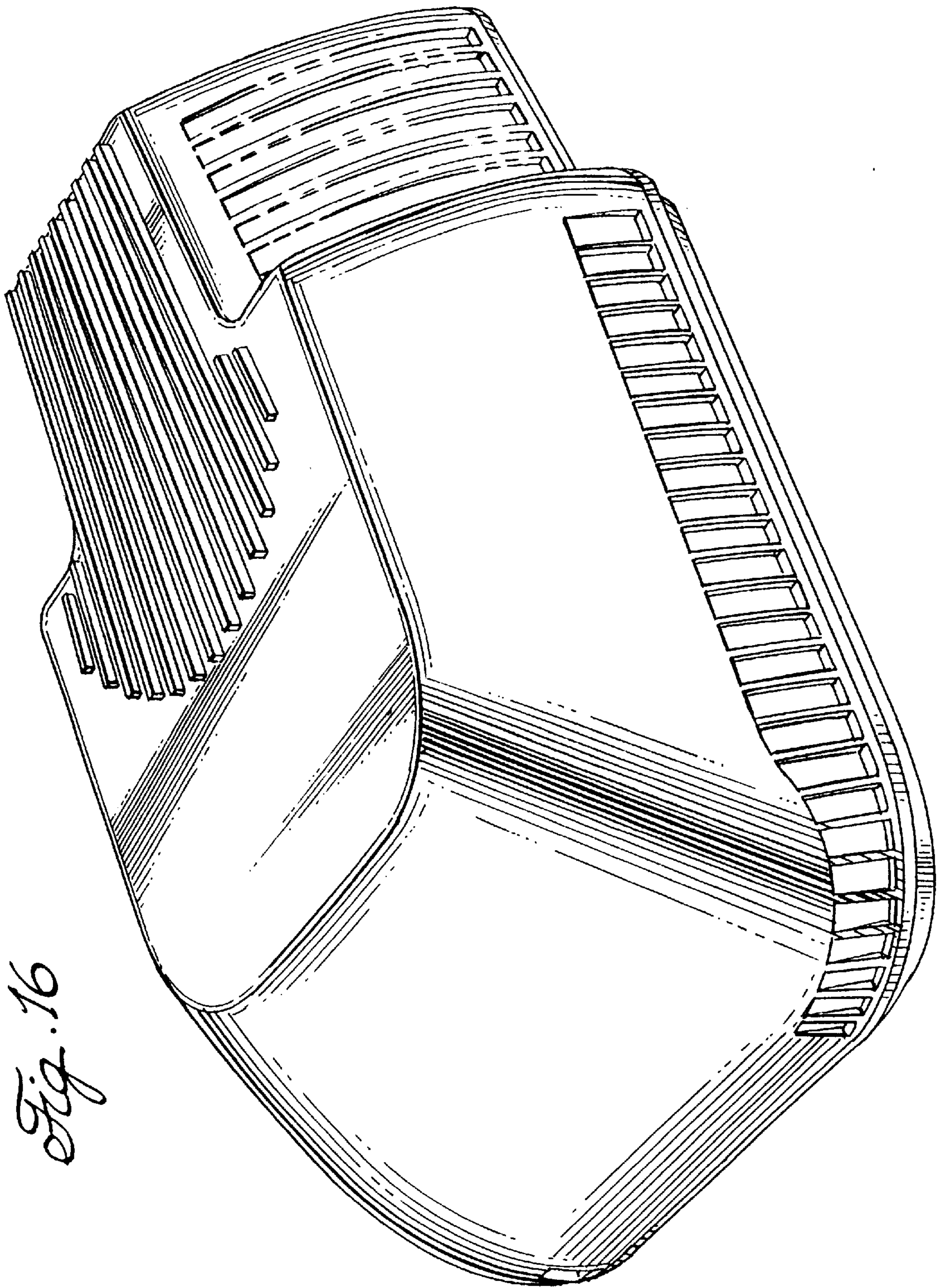


Fig. 16

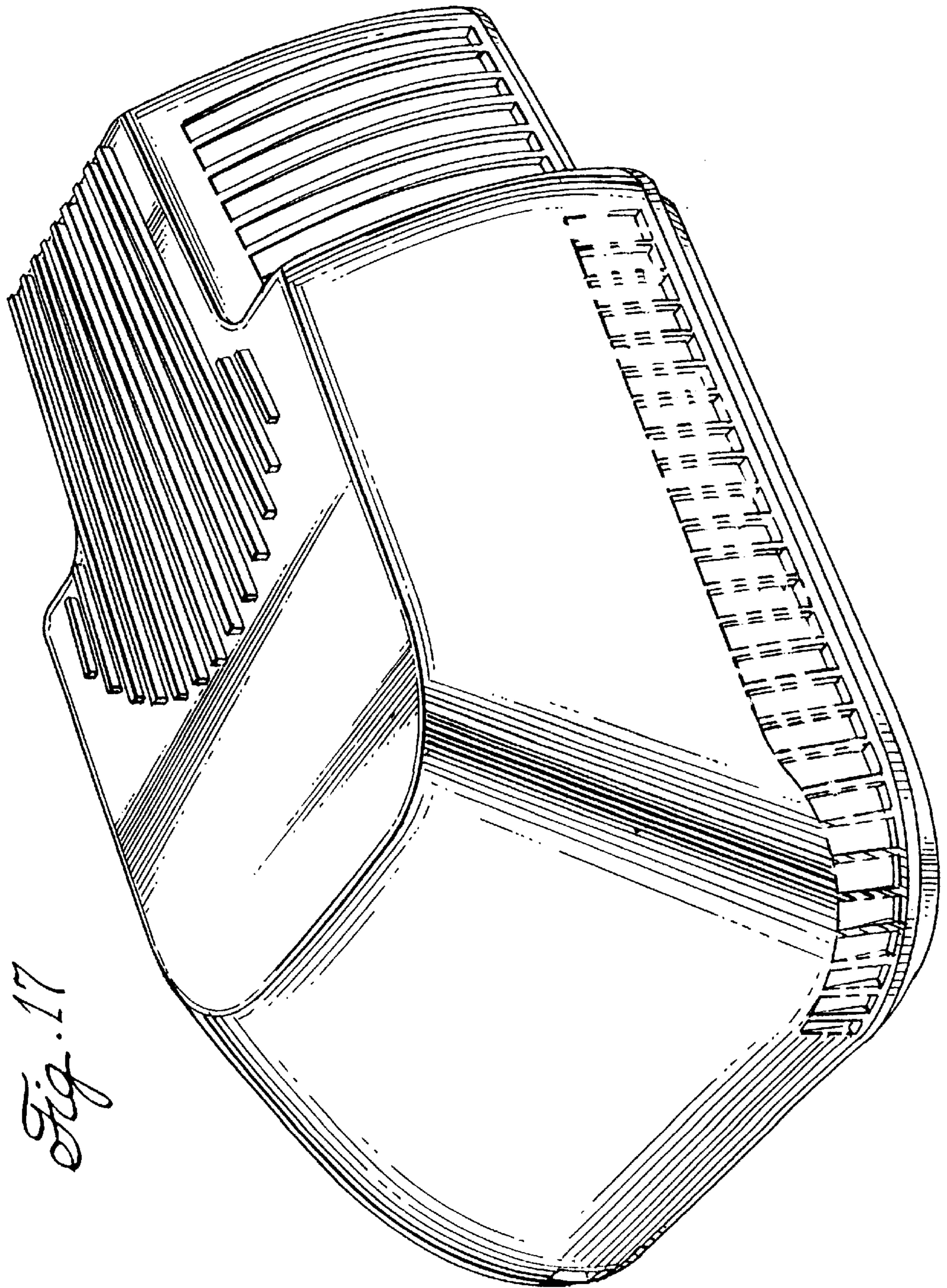


Fig. 17

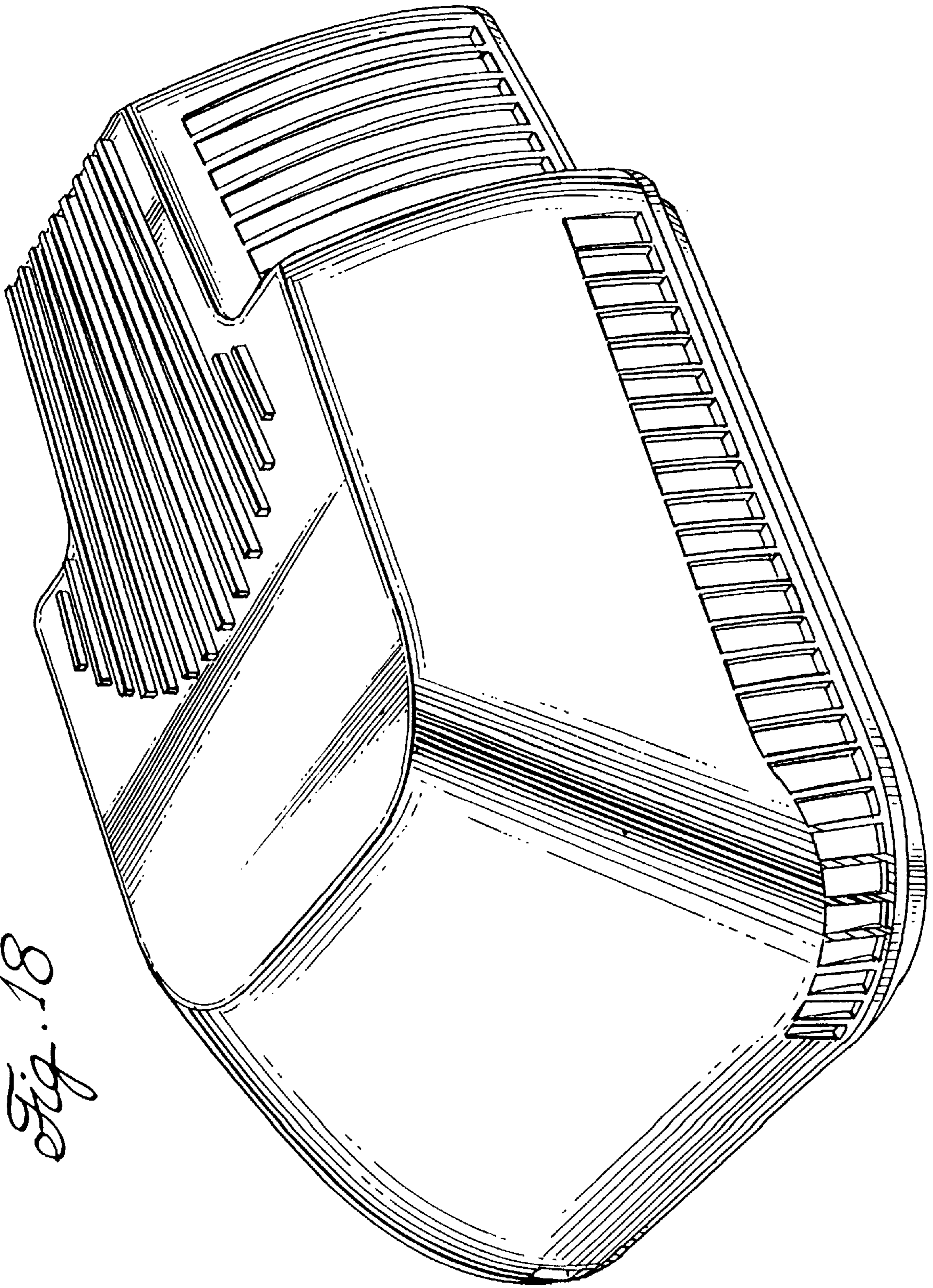
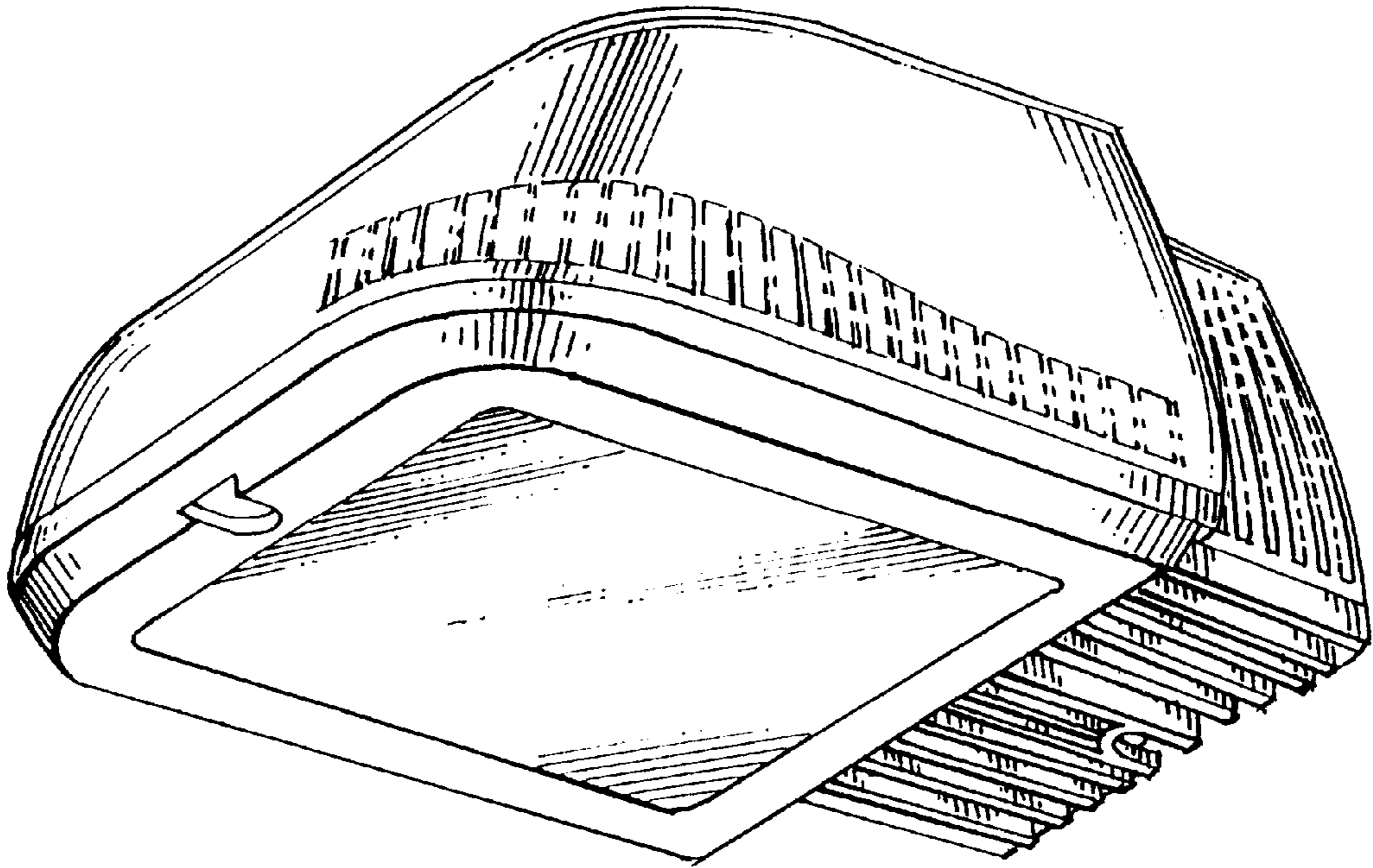


Fig. 18

Fig. 19



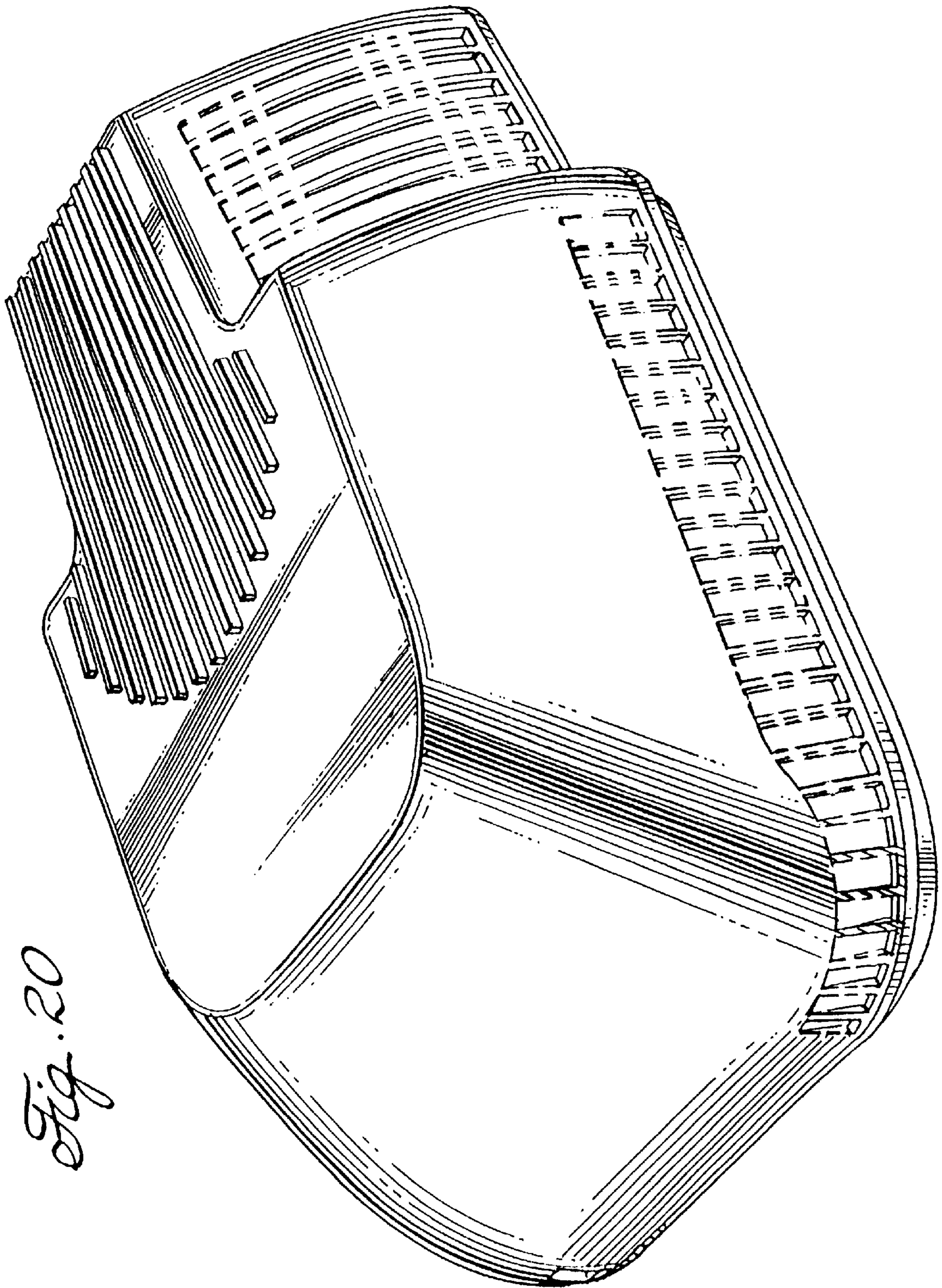
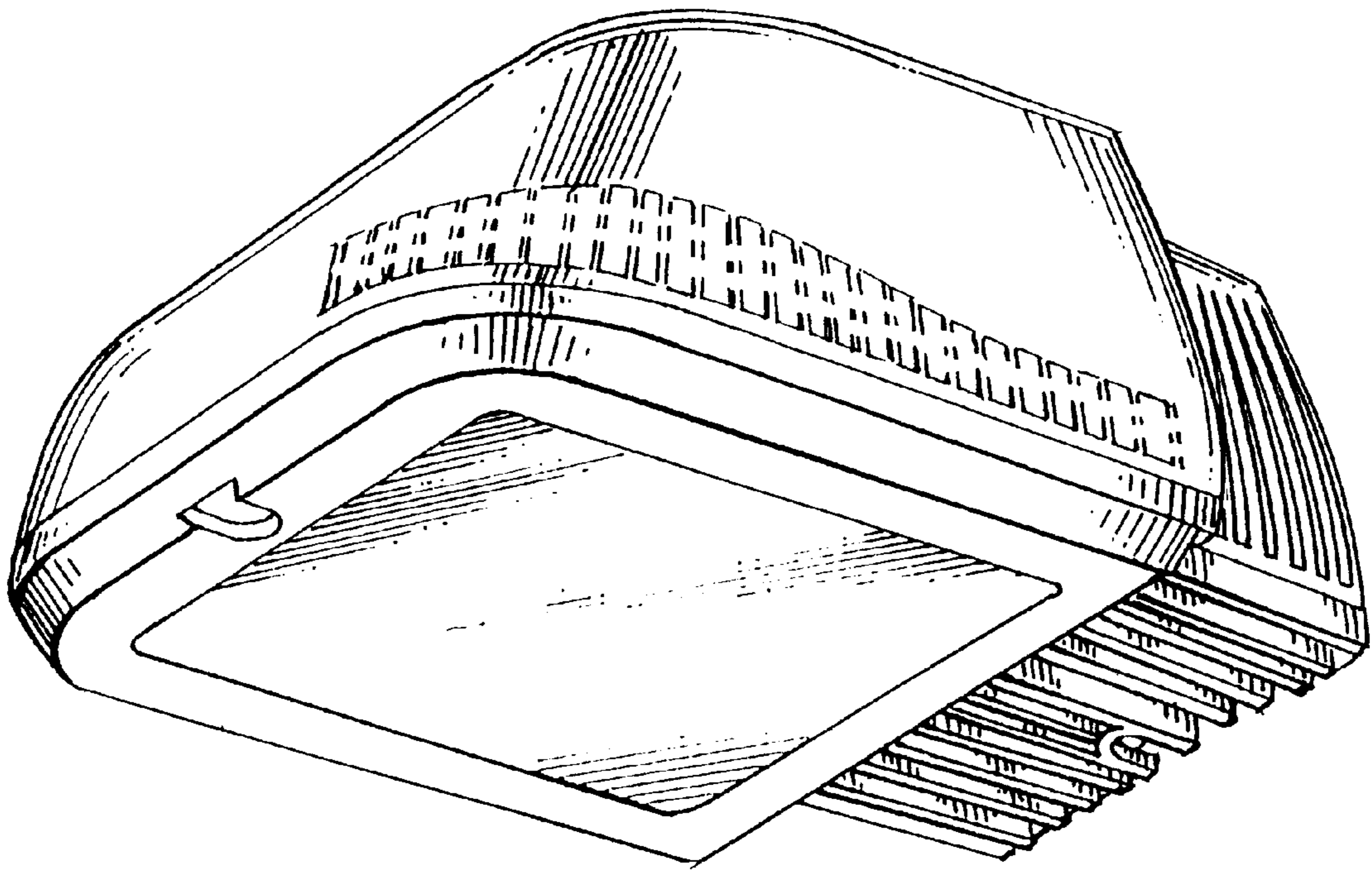


Fig. 20

Fig. 21



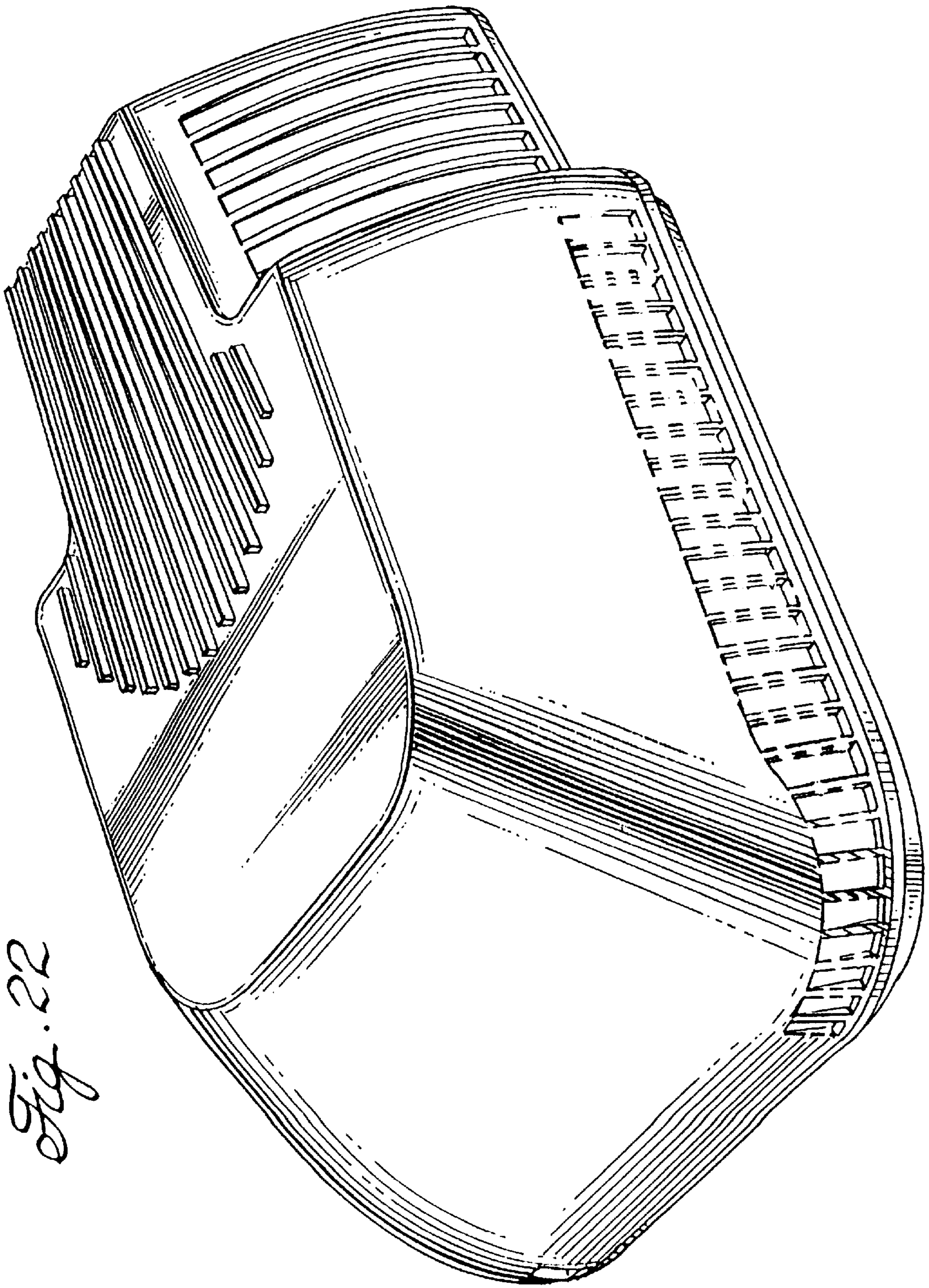
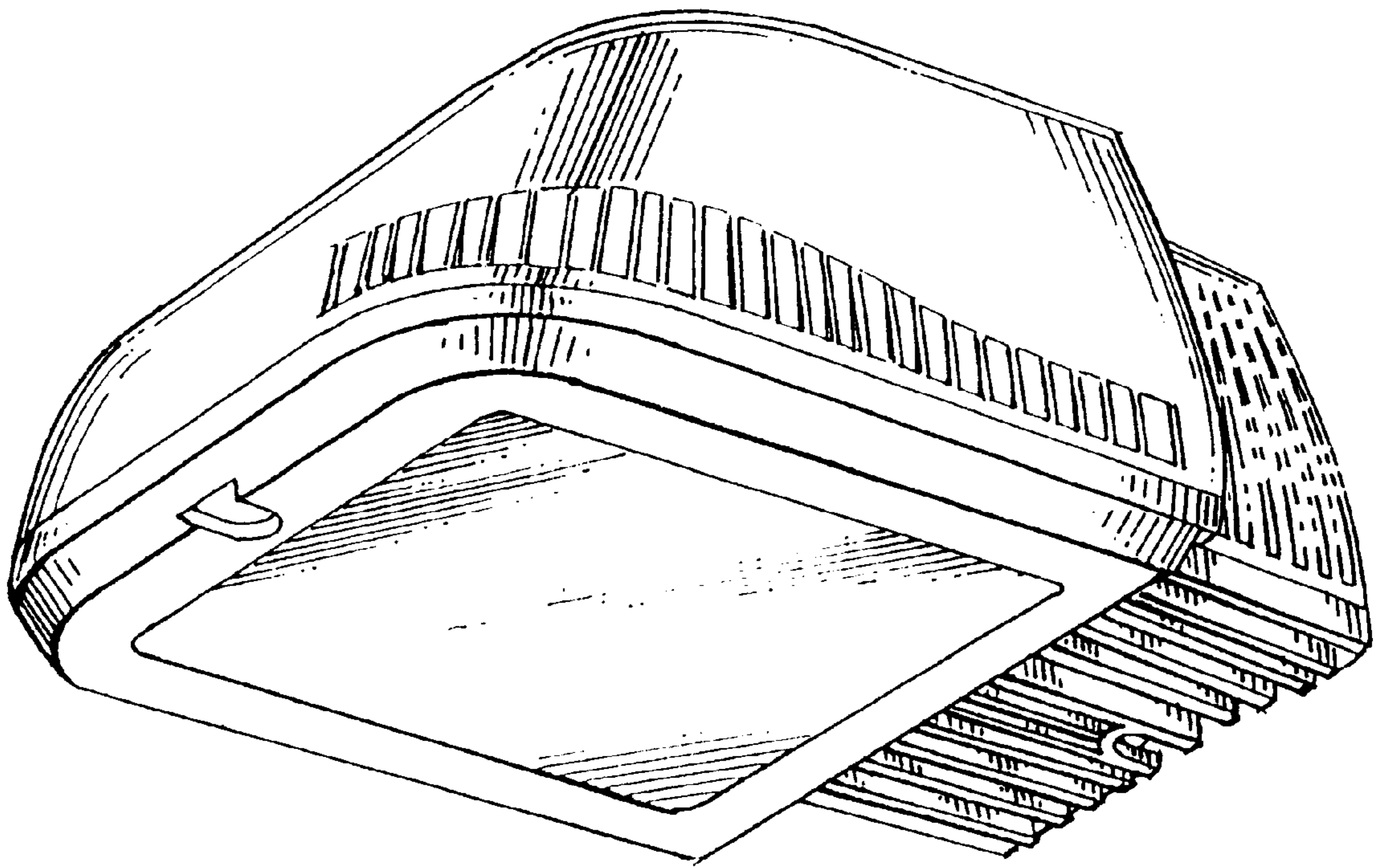


Fig. 22

Fig. 23



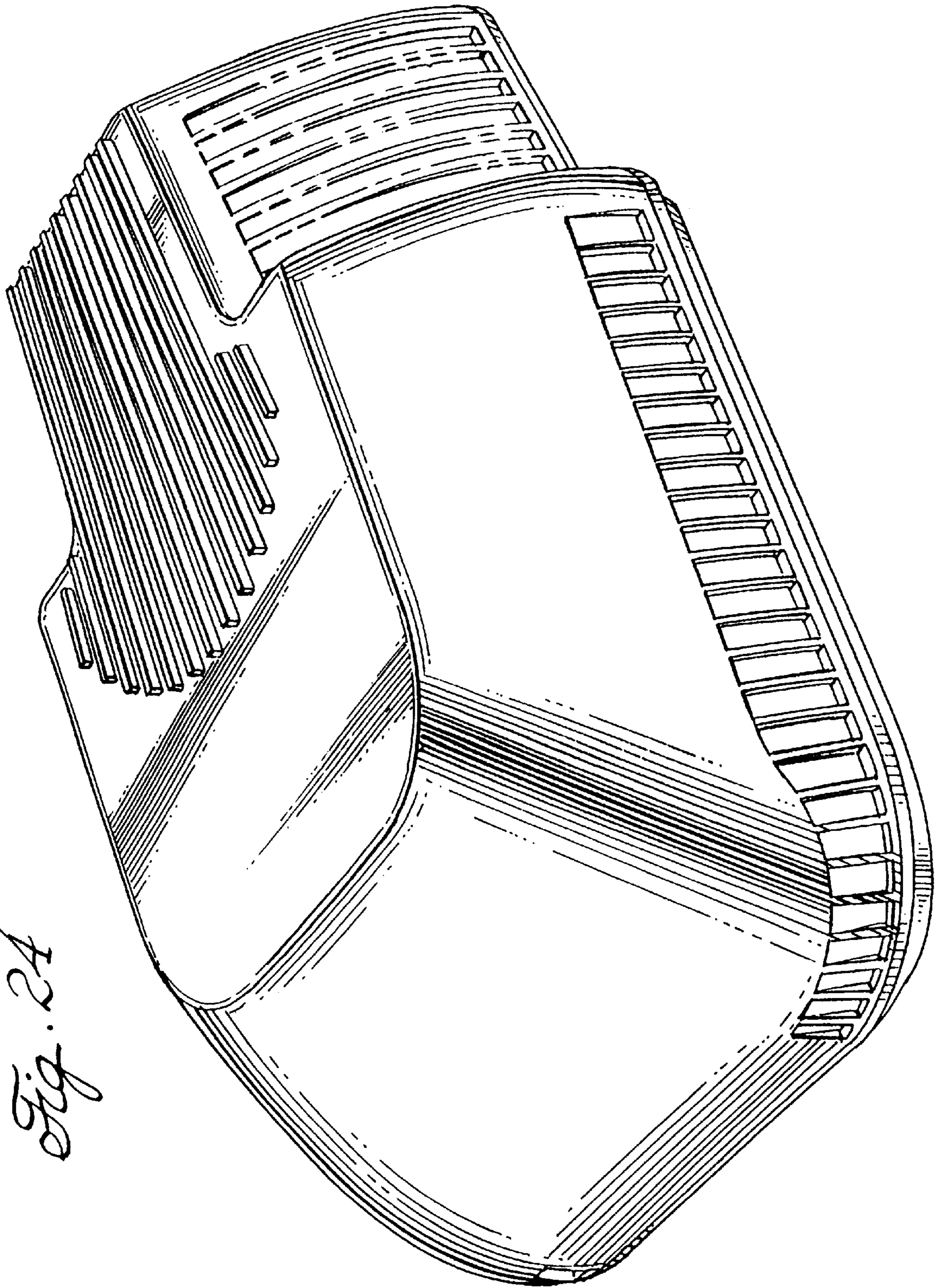
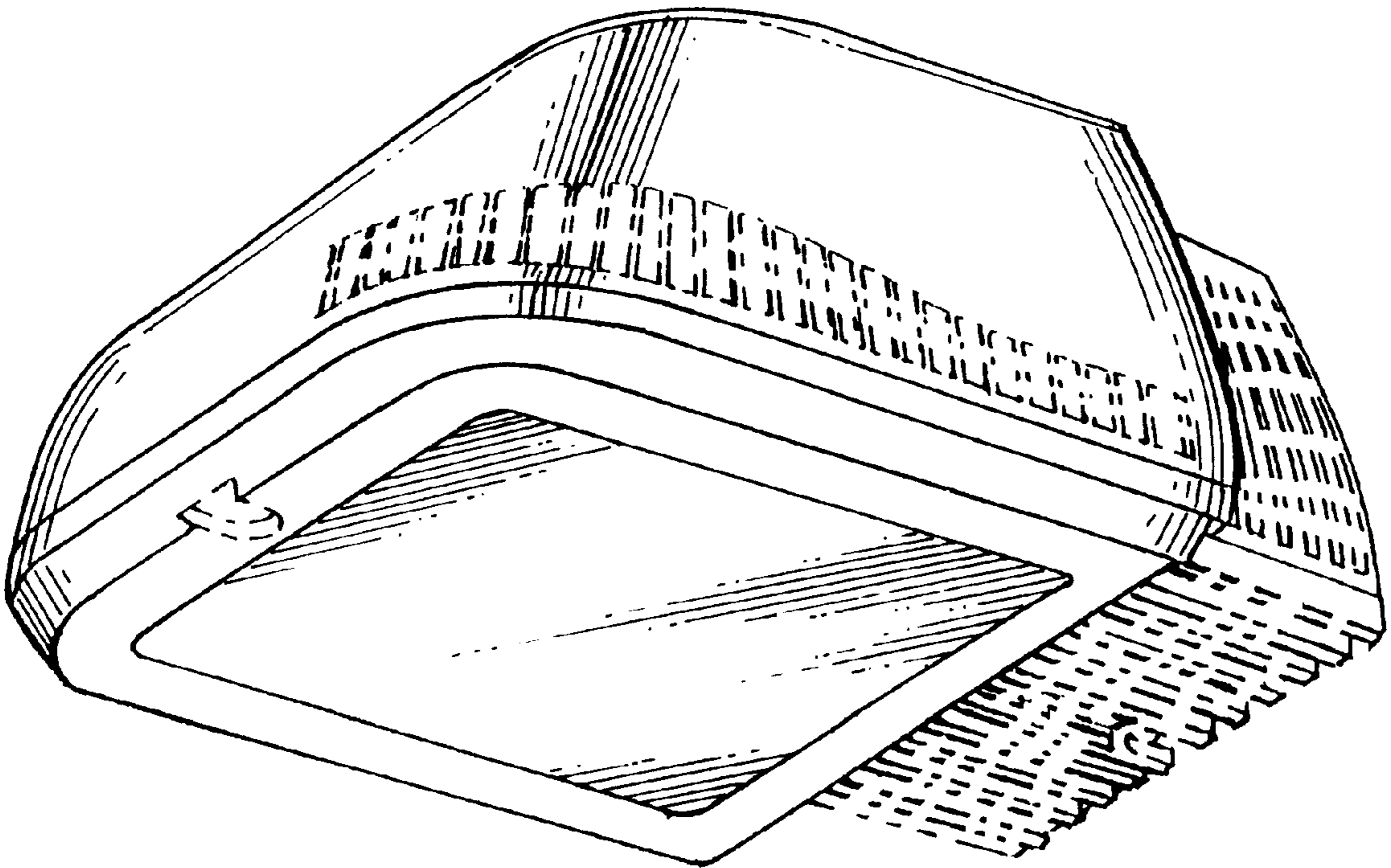


Fig. 24

Fig. 25



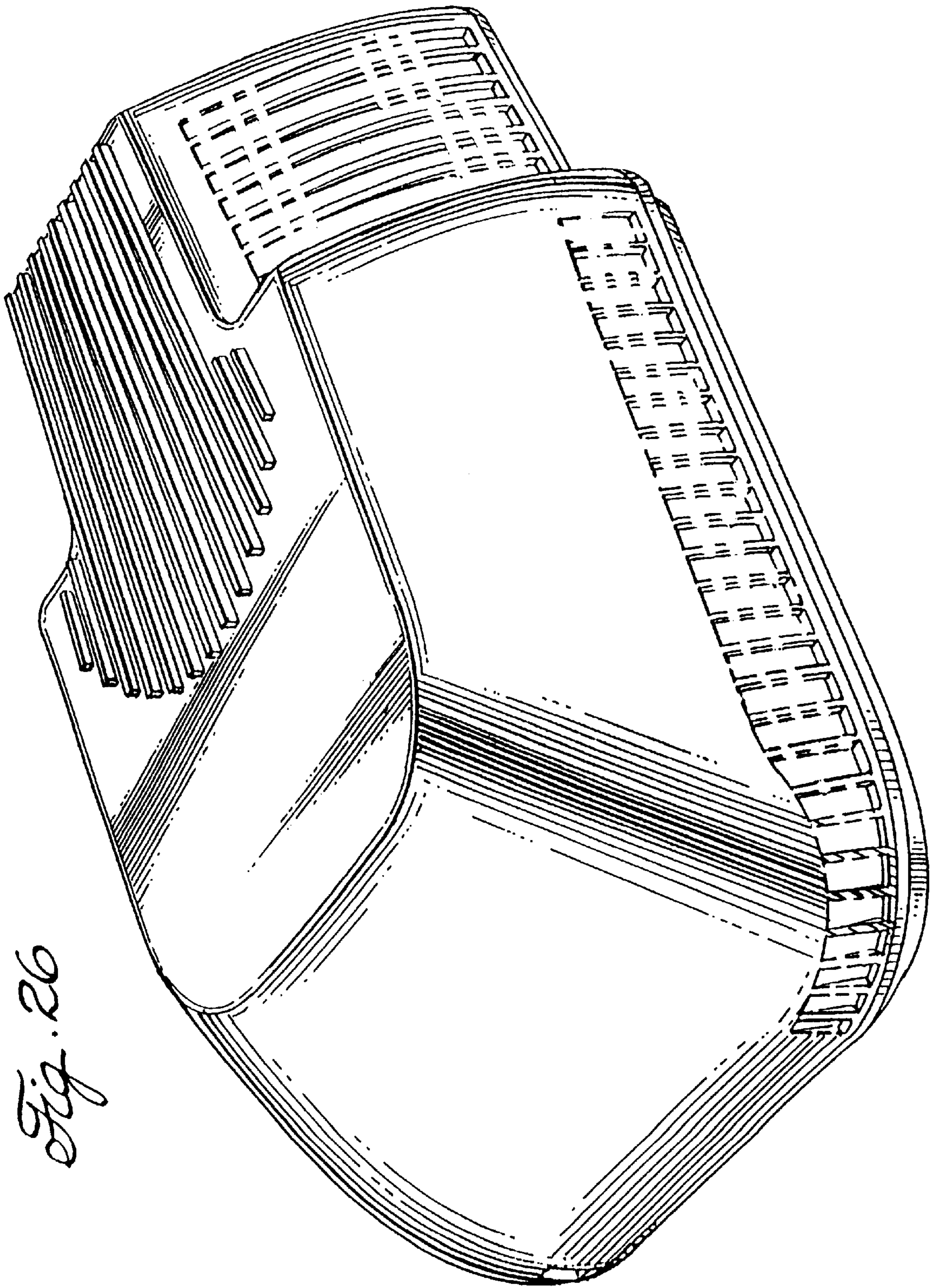


Fig. 26